

---

# SEALAND®

## FINE CHINA TOILET

---

## OWNER'S MANUAL

---

**Traveler® 500 *Plus* Series, 2000 Series,  
Traveler Lite® 100 Series Toilets**



**! WARNING**

**This manual must be read and understood before installation, adjustment, service, or maintenance is performed. Modification of this product can result in property damage.**



**Dometic Corporation**  
13128 State Rt. 226, P.O. Box 38  
Big Prairie, OH 44611-0038 USA  
SeaLand Product Hotline 1-800-321-9886  
(8:00 a.m. - 5:00 p.m. ET)



---

## TABLE OF CONTENTS

---

Important Information .....	3	Troubleshooting Guide .....	7 - 9
Toilet Model Identification .....	3	100 Series Parts List .....	10
How to Use .....	3	500 <i>Plus</i> Series Parts List .....	11
Installation .....	4	2000 Series Parts List .....	12
Pedestal and Pedal Cover Installation .....	4	Dimensional Specifications .....	13
Proper Cleaning and Maintenance .....	5	Ordering Parts .....	14
Winterizing .....	5	Parts Distributors .....	14
Deodorants and Special Tissue .....	6	Manufacturer's Limited Warranties .....	16
Service Tip .....	6		

---

## IMPORTANT INFORMATION

---

1. Do not use chlorine or caustic chemicals, such as laundry bleach or drain opening types, in the system. These products damage the seals in toilets and dump valves.
2. Do not permit foreign objects (paper towels, paper cups, diapers, sanitary napkins, etc.) to be flushed through the toilet.
3. Mechanical seal toilets, like SeaLand Traveler units, are designed to only discharge directly into a holding tank. Horizontal pipe runs as found in conventional residential or commercial plumbing systems cannot be accommodated.
4. Toilet bowl and flush seals must be regularly cleaned and winterized according to "Proper Cleaning and Maintenance" and "Winterizing" procedures on page 5, or your warranty coverage may be voided.

---

## TOILET MODEL IDENTIFICATION

---

The model identification label is located on the toilet base and will show the model number and serial number. Follow instructions for removing toilet pedestal cover in "Pedestal and Pedal Cover Installation" on page 4. Traveler Lite Model 110 identification label is on the back of the base. If label is not available, please refer to "Dimensional Specifications" on page 13 for toilet model identification.

### DOMETIC CORPORATION

P.O. BOX 38, 13128 STATE RT 226 (800) 321-9886  
BIG PRAIRIE, OH 44611 USA

MODEL NO. **000**

SERIAL NUMBER

**000000**

---

## HOW TO USE

---

To prepare the Traveler toilet for use, check to be sure water supply to the toilet is connected. Turn on water supply and check system for leaks. Flush toilet and check for leaks.

To properly use the Traveler toilet, follow these simple instructions:

1. **To add water to the toilet**, lift or raise the flush lever until desired water level is reached. Generally, more water is required only when flushing solids.
2. **To flush toilet**, push lever all the way down until contents leave toilet bowl. Water flow pressures vary at different locations, therefore holding the flush lever down for 4-8 seconds may be required. We require a minimum flow to the toilet of two gpm (7.6 lpm) for proper rim and bowl wash.
3. Release flush lever by allowing it to snap back, which permits positive sealing around the flush ball.
4. A small amount of water should remain in bowl.

**Note: Holding flush lever down longer than necessary results in excessive water usage.**

# INSTALLATION

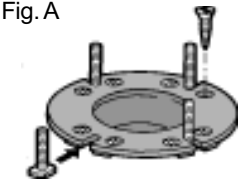
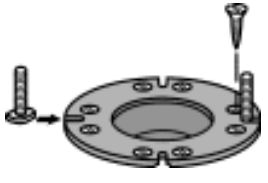
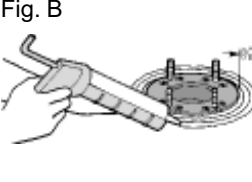
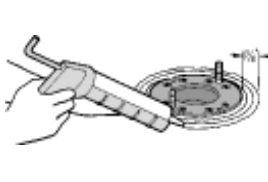
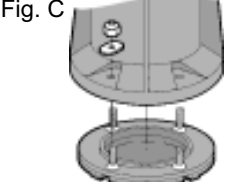
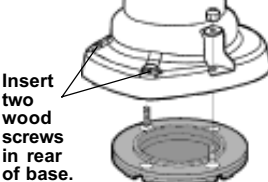
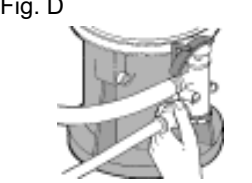
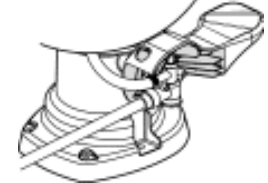
1. To replace an older toilet, turn off water supply to toilet. Disconnect water line at toilet water valve. Unscrew floor bolt nuts and remove toilet. Discard old floor seal and mounting bolts. The old floor flange may be used if it is in good condition and has four (4) bolt locations. [Only two bolts are required for Traveler Lite Model 110.]

**NOTE: If old floor flange cannot be used and cannot be removed, please use a SeaLand Universal Mounting Kit, available from your SeaLand dealer.**

2. When installing new floor flange, make certain that the toilet mounting bolts align properly with Traveler toilet mounting pattern.
3. Secure flange to floor using flat head screws through countersunk holes in flange. Insert floor bolts into slotted holes in flange (Figure A).
4. If toilet is being installed in a shower stall, apply a 1/4" thick by 3/4" wide bead of glazing compound around the circumference of the floor flange (Figure B).
5. Install seat assembly with hinges and screws provided. Traveler Models 510/511 will also accept handicap or household decorative seats. [Traveler Lite Models 110/111 seats are already installed.]
6. Position floor seal by pressing the floor bolts up through holes in the seal.
7. Set toilet in place with bolts protruding up through mounting holes in base (Figure C).
8. Install washers and hex nuts provided with toilet. Snug nuts down equally with standard 7/16" open end wrench. Remove excess glazing compound from around base in shower stall installation. For Traveler Lite Model 110, also install two wood screws provided in two holes at rear of base. (See Figure C).
9. Connect water supply line to water valve (1/2" MPT) inlet using appropriate fittings or an extension (Figure D). For Traveler Lite Model 110, you must remove water valve cover from flush pedal before connecting water supply line (see instructions below).

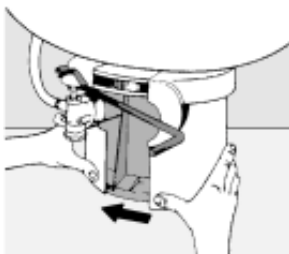
10. Turn on water supply and flush toilet to test for leaks.

11. For all models except Traveler Lite Model 110, attach pedestal and pedal covers to toilet base (see installation instructions below).

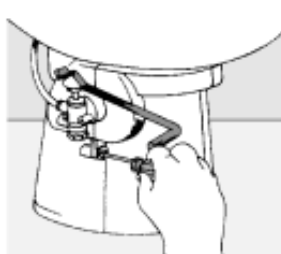
All Traveler toilets and Traveler Lite Model 111 (4-bolt connection)	Traveler Lite Model 110 (2-bolt connection)
<p>Fig. A</p> 	
<p>Fig. B</p> 	
<p>Fig. C</p> 	<p>Insert two wood screws in rear of base.</p> 
<p>Fig. D</p> 	

## PEDESTAL AND PEDAL COVER INSTALLATION

### ALL TRAVELER TOILETS AND TRAVELER LITE MODEL 111:



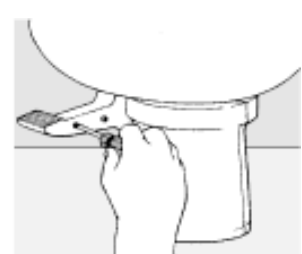
1. Wrap pedestal cover around base so that it closes as shown.



2. Tall model – screw cover together. Short model – snap together.



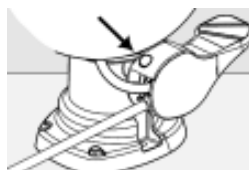
3. Slide pedal cover onto foot pedal rod.



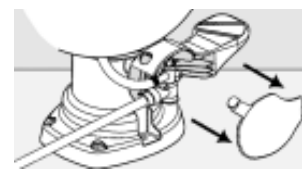
4. Secure side plate onto pedal cover with screws.

### TRAVELER LITE MODEL 110:

1. Press button on back of pedal to release water valve cover.



2. Pull on bottom of cover to remove it. Cover snaps back into place.



---

## PROPER CLEANING AND MAINTENANCE

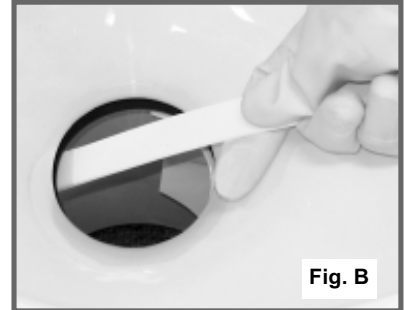
---

The Traveler toilet should be cleaned regularly for maximum sanitation and operational efficiency. You can clean it just as you would a household toilet. **Do not use caustic chemicals, such as drain-opening types, as they will damage the seals.**

**BOWL CLEANING:** For stubborn stains, use SeaLand® Bowl and Seal Cleaner (Fig. A). It's manufactured especially for use with Traveler and Traveler Lite toilets. In certain locations where water is hard, a build-up of lime may dull the toilet bowl finish. Restore the shine with this SeaLand cleaner. If you cannot find it in your area, contact SeaLand for your nearest dealer. If the cleaner is not available, you can also use Bar Keepers Friend® cleanser. It is not necessary to vigorously scrub with either product. Please follow label instructions.



**SEAL CLEANING:** After an extended time, mineral deposits from hard water can build up under the edge of the rubber bowl seal, resulting in a slow leakdown of water from the bowl. To prevent this mineral build-up, periodically clean under the bowl seal with SeaLand Bowl and Seal Cleaner (Fig. B).



1. Shut off water supply.
2. Apply cleaner onto the seal cleaning tool (supplied with new toilet), open the flush ball by pressing on flush lever, and scrub under the seal. Make sure to push bristles between bottom of seal and top of flush ball surface to scrub all parts of seal that come into contact with flush ball.
3. Close ball and wait 2-3 minutes.
4. Open flush ball. Use brush and water to rinse away cleanser and loosened deposits.

---

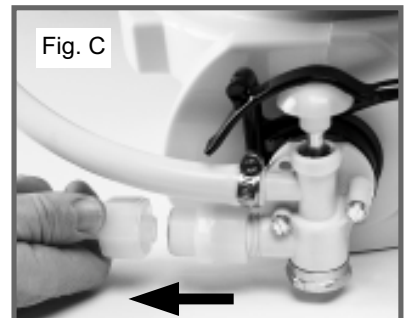
## WINTERIZING

---

At the end of each season, the Traveler or Traveler Lite toilet should be winterized for storage, by either draining or using potable water-safe antifreeze in the system.

**To drain:**

1. Thoroughly flush system with fresh water.
2. Empty holding tank.
3. Shut off water supply to toilet(s), and remove inlet waterline (Fig. C).  
**Do not remove brass cap on bottom of valve.**
4. Press flush lever until all water is drained from toilet(s).



**To use antifreeze:**

1. Drain potable water tank.
2. Add freshwater antifreeze to potable water tank.
3. Flush potable water antifreeze and water mixture through toilet(s) and into the waste holding tank. Each installation is different, so amounts may vary. User discretion is required to assure adequate protection.
4. Empty holding tank.

**NOTE:** Use nontoxic antifreeze designated for potable water systems. (See vehicle owner's manual.)

**CAUTION:** Never use automotive-type antifreeze in freshwater systems.

---

## DEODORANTS AND SPECIAL TISSUE

---

Your Traveler toilet requires the regular addition of a deodorant product to reduce malodors and to help break down holding tank contents. Several factors should be considered in selecting a deodorant product.





**Liquid or Granulated:** Liquid products obviously work more quickly by readily going into solution. Granulated powder formulations, on the other hand, have the advantage of requiring less storage space and are less likely to leak if the package is inadvertently damaged.

**Formaldehyde versus Non-Formaldehyde:** Dometic manufactures both types of deodorants. Generally speaking, formaldehyde formulas control odor very effectively at all temperatures and with all degrees of water hardness. SeaLand® Environment-Friendly brand, which is formaldehyde free, is similarly effective.

**How Much Deodorant and How to Add It:** The deodorant is added directly into the toilet bowl, then flushed into the holding tank. Follow bottle or package instructions. Conditions of extremely warm weather, longer waste holding time and larger tank capacities may require more deodorant treatment. Also, to maintain optimum efficiency in odor control, the waste holding tank should be cleaned thoroughly at least once or more each season depending on use.

**Why Not Use Household Toilet Paper in Your Traveler Toilet.** Household tissues often contain adhesives which bond together the paper fibers from which the tissue is made. The adhesives prevent the tissue from breaking apart, and their use in “ultra-low flow” systems can cause system clogging. SeaLand tissue is especially designed for use in low water toilet systems. Its rapid dissolving properties minimize the amount of residual paper in the holding tank and allow deodorizers to work more efficiently.

**SeaLand Brand versus Other Brands:** We constantly strive to provide our system owners with effective products that have minimal environmental impact and good value. Many deodorant products do not measure up to our standards of performance and value.

<p><b>SeaLand® Granulated Deodorant</b> Six 2-oz. pouches</p>  <p><b>Part No. 379626002</b></p>	<p><b>SeaLand® Liquid Deodorant</b> Two 8-oz. bottles</p>  <p><b>Part No. 379224008</b></p>	<p><b>SeaLand® Liquid Deodorant - Environment Friendly</b> 32-oz. bottle</p>  <p><b>Part No. 379114032</b></p>	<p><b>SeaLand® Rapid-Dissolving Toilet Tissue</b> Four 400-sheet rolls</p>  <p><b>Part No. 379441204</b></p>
<p><b>SeaLand® Cleaner</b> 16-oz. bottle</p>  <p><b>Part No. 379314016</b></p>			

---

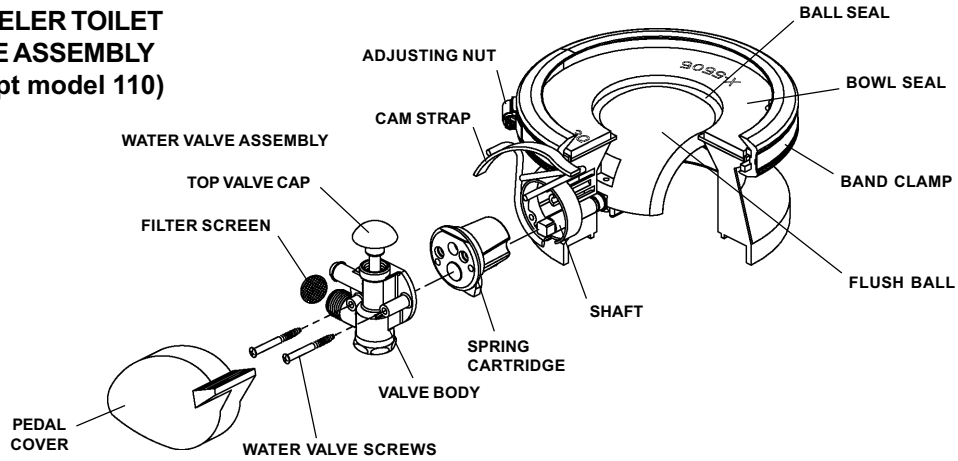
## SERVICE TIP

---

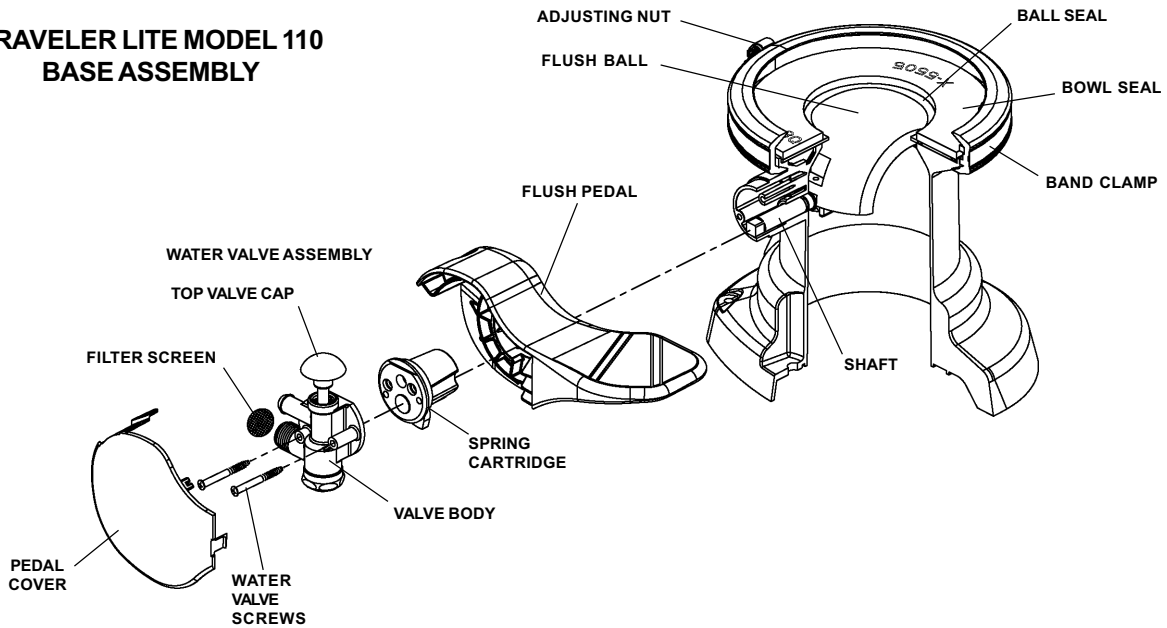
Checking for water leaks behind or under toilets or other appliances can make it difficult to locate the source. Dripping water at room temperature makes it difficult to feel wetness. Taking four or five sheets of toilet tissue and wiping all seams and waterline connections offers a simple means of locating the general area of the leakage. Start at the top of the unit since gravity will cause a leak to run downward. When the tissue comes in contact with the leaking water, it will immediately change texture.

# TROUBLESHOOTING GUIDE

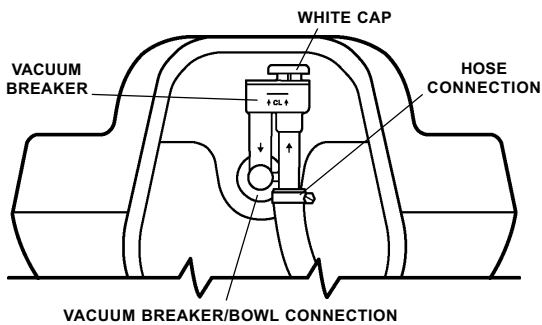
## TRAVELER TOILET BASE ASSEMBLY (except model 110)



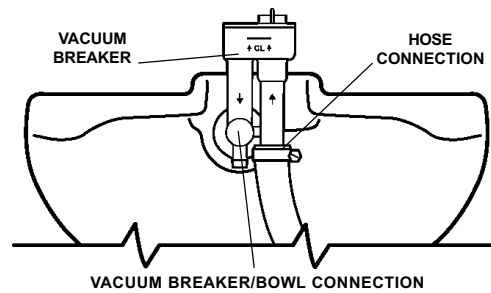
## TRAVELER LITE MODEL 110 BASE ASSEMBLY



## TRAVELER TOILET BOWL, REAR VIEW (Models 510+, 511+, 2010, 2011)



## TRAVELER LITE TOILET BOWL, REAR VIEW (Models 110, 111)



## TROUBLESHOOTING GUIDE (cont'd)

Problem	Possible Cause	Service Instructions
1. Toilet emits odor (flush ball open).	<ul style="list-style-type: none"> <li>a. Odor emitting from base of toilet.</li> <li>b. Plugged holding tank vent line.</li> </ul>	<ul style="list-style-type: none"> <li>a. Use SeaLand brand deodorants.</li> <li>b. Clear obstruction from vent line.</li> </ul>
2. Water will not stay in bowl.	<ul style="list-style-type: none"> <li>a. Loose band clamp.</li> <li>b. Improper seal around flush ball due to dirt or debris on underside of ball seal.</li> <li>c. Worn or damaged seal.</li> <li>d. Worn or damaged flush ball.</li> </ul>	<ul style="list-style-type: none"> <li>a. Tighten adjusting screw.</li> <li>b. Inspect flush ball and underside of seal for foreign objects. Clean under seal if needed (see page 5. Cleaning tool available – part no. 600344236).</li> <li>c. Replace seal.</li> <li>d. Replace flush ball.</li> </ul>
3. Flush ball will not close completely.	<ul style="list-style-type: none"> <li>a. Too much friction between flush ball and ball seal.</li> <li>b. Water valve screws are too tight.</li> <li>c. Defective spring cartridge.</li> </ul>	<ul style="list-style-type: none"> <li>a. Lubricate between flush ball and ball seal with furniture polish or cooking spray.</li> <li>b. Loosen screws slightly.</li> <li>c. Check spring tension by pushing flush lever down, then release it suddenly. If lever does not snap back to original position, replace spring cartridge.</li> </ul>
4. Flush ball will not open.	<ul style="list-style-type: none"> <li>a. Broken shaft.</li> <li>b. Shaft not fully engaged in the spring cartridge.</li> </ul>	<ul style="list-style-type: none"> <li>a. Replace shaft.</li> <li>b. Put pressure on shaft from under the flush ball (pushing into spring cartridge) until it engages. You may have to rotate flush ball slightly until shaft lines up with square in spring cartridge.</li> </ul>
5. Flush ball does not open completely. <b>Applies to short-base units mounted on step or riser only.</b>	<ul style="list-style-type: none"> <li>a. Floor flange interferes with flush ball rotation.</li> </ul>	<ul style="list-style-type: none"> <li>a. Loosen mounting bolts and push toilet base back. If this does not solve problem, install a SeaLand Universal Mounting Kit (part no. 310139, 310140, or 310141) with existing floor flange.</li> </ul>
6. Water does not shut off in toilet (toilet overflows).	<ul style="list-style-type: none"> <li>a. Not enough clearance between cam strap and top of water valve cap.</li> <li>b. Dirt lodged in water valve seal.</li> <li>c. Worn or defective water valve.</li> <li>d. Worn or defective spring cartridge.</li> </ul>	<ul style="list-style-type: none"> <li>a. Adjust cam strap to have .02" - .06" (.5mm - 1.5mm) clearance with top of water valve cap. (Does not apply to model 110.)</li> <li>b. Dissassemble and clean water valve.</li> <li>c. Replace water valve.</li> <li>d. Replace spring cartridge.</li> </ul>
7. Hand spray unit leaks.	<ul style="list-style-type: none"> <li>a. Hand sprayer is defective.</li> </ul>	<ul style="list-style-type: none"> <li>a. Replace hand sprayer.</li> </ul>
8. Water does not enter toilet bowl properly.	<ul style="list-style-type: none"> <li>a. Insufficient water flow rate at toilet.</li> <li>b. Water valve clogged.</li> <li>c. Plugged rim wash holes in toilet.</li> </ul>	<ul style="list-style-type: none"> <li>a. Check water flow rate at toilet. Rate should be 2 gpm (7.6 lpm) at toilet.</li> <li>b. Remove and clean screen located at inlet of water valve.</li> <li>c. Clean holes. If still a problem, replace the toilet bowl.</li> </ul>

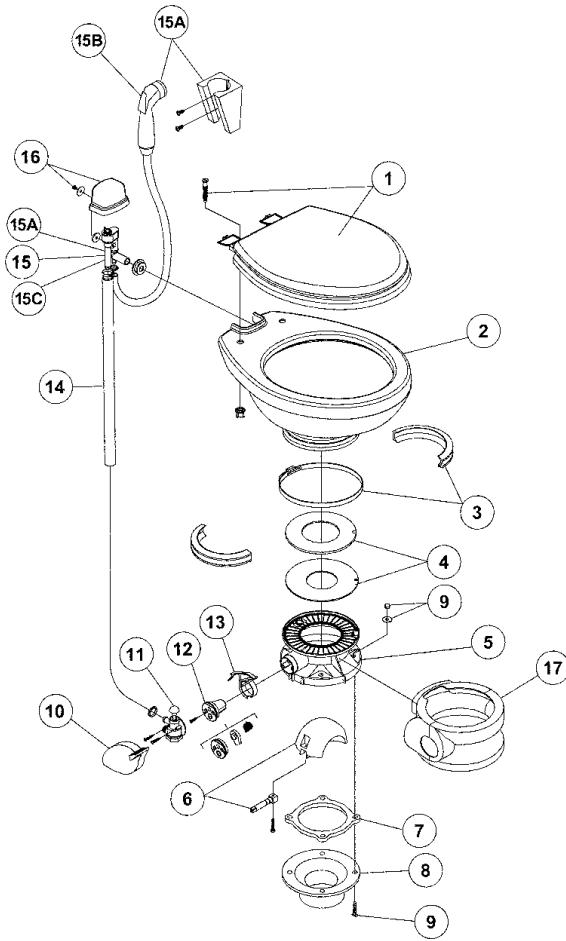


## TROUBLESHOOTING GUIDE (cont'd)

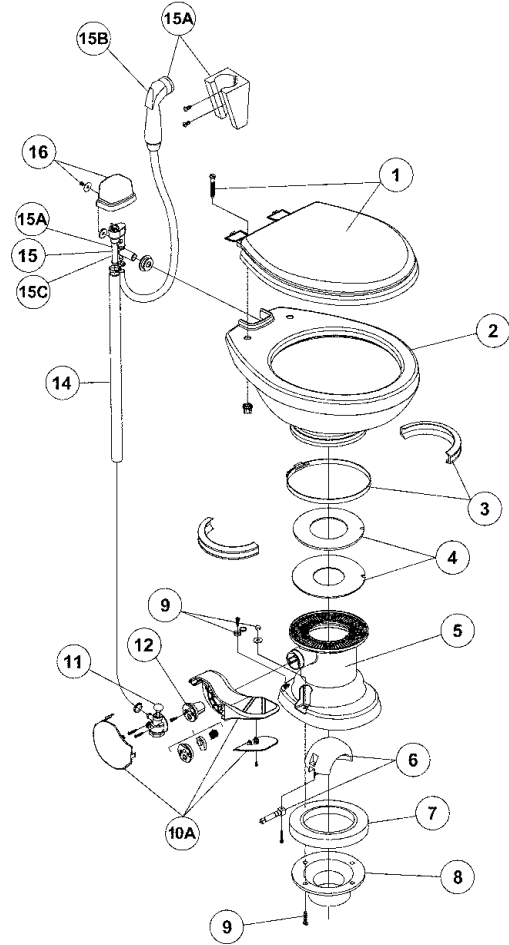
<b>Problem</b>	<b>Possible Cause</b>	<b>Service Instructions</b>
9. Water is leaking from water valve.	<ul style="list-style-type: none"> <li>a. Water valve body cracked due to freeze damage.</li> <li>b. Water line connection is loose or not seated properly.</li> <li>c. Defective water valve.</li> <li>d. Stripped threads.</li> </ul>	<ul style="list-style-type: none"> <li>a. Replace water valve.</li> <li>b. Insure that threads are not cross-threaded and tighten.</li> <li>c. Replace water valve.</li> <li>d. Replace water valve.</li> </ul>
10. Water is leaking from bottom of toilet base.	<ul style="list-style-type: none"> <li>a. Toilet is not secured to floor.</li> <li>b. Worn or defective toilet mounting floor seal.</li> <li>c. Cracked base.</li> <li>d. Worn or defective floor flange.</li> </ul>	<ul style="list-style-type: none"> <li>a. Tighten toilet mounting bolts.</li> <li>b. Replace floor seal between floor flange and toilet base.</li> <li>c. Replace base assembly.</li> <li>d. Replace floor flange.</li> </ul>
11. Water is leaking from rear of toilet bowl.	<ul style="list-style-type: none"> <li>a. Worn or defective vacuum breaker.</li> <li>b. Loose vacuum breaker.</li> <li>c. Cracked or defective toilet bowl.</li> </ul>	<ul style="list-style-type: none"> <li>a. Remove white cap from vacuum breaker. Flush toilet. If water leaks during flush, vacuum breaker needs to be replaced.</li> <li>b. Secure vacuum breaker connection.</li> <li>c. Replace toilet bowl. If loose, push breaker into bowl.</li> </ul>
12. Water is leaking from the base/toilet connection.	<ul style="list-style-type: none"> <li>a. Band clamp may be loose.</li> <li>b. Ball and bowl seals may be worn or defective.</li> </ul>	<ul style="list-style-type: none"> <li>a. Remove plastic base cover (on applicable models) and tighten the band clamp.</li> <li>b. Replace ball and bowl seals.</li> </ul>

# TRAVELER LITE® PARTS LIST

## MODEL 111



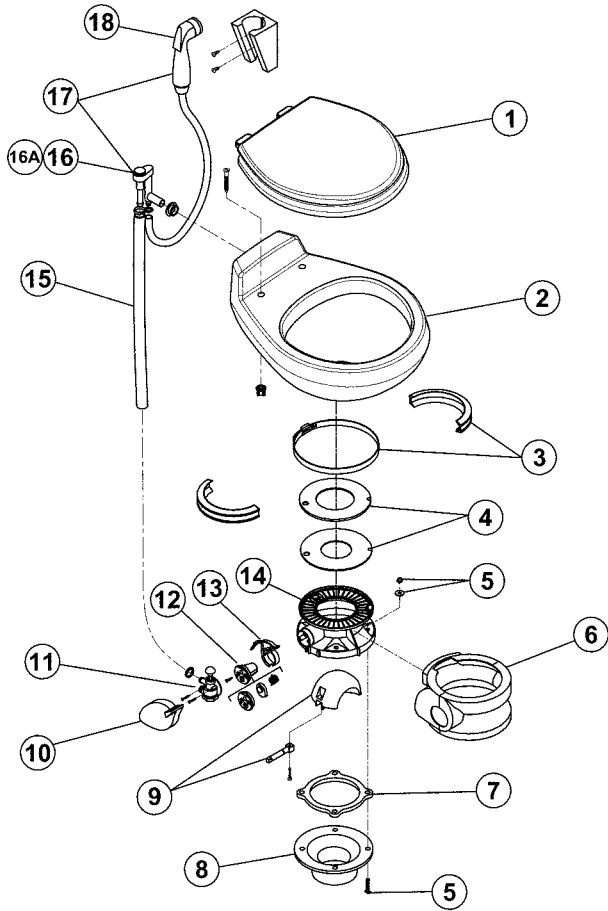
## MODEL 110



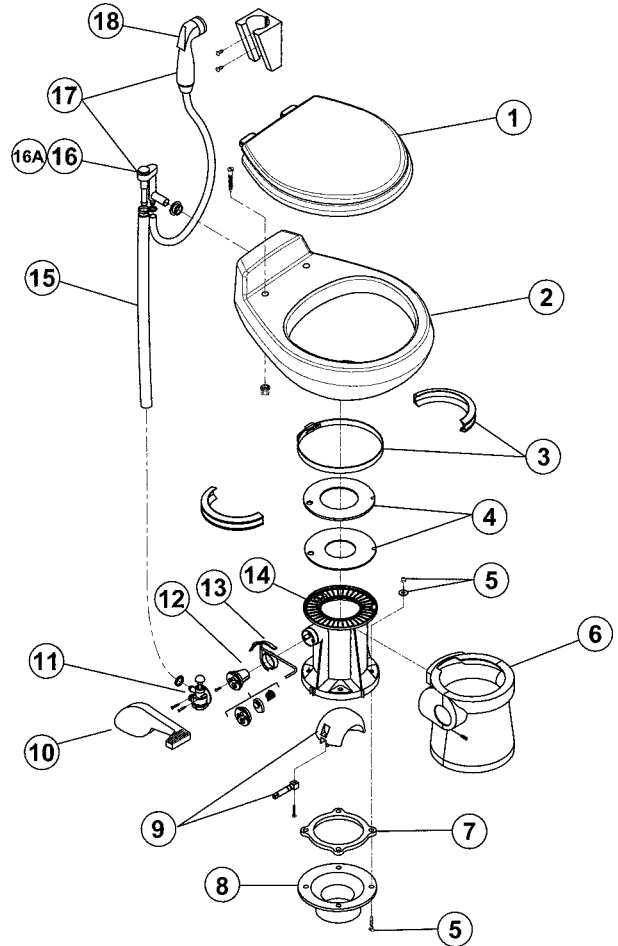
Item	111	110	Description	Item	111	110	Description
1	385344088	385344088	Seat Assembly, White	9	385310064	385310794	Floor Bolt Mounting Kit
	385344089	385344089	Seat Assembly, Bone				385310794
2	385310790	385310790	China Bowl Kit, White	10	385310117	385310803	Pedal Cover Kit, White
	385310791	385310791	China Bowl Kit, Bone				385310118
3	385310048	385310025	Band Clamp & Half Clamp Kit, White	10A		385310682	Flush Pedal Kit, White (incl. 12)
		385310048	Band Clamp & Half Clamp Kit, Bone			385310762	Flush Pedal Kit, Bone (incl. 12)
4	385316140	385316140	Teflon® & Rubber Seal Kit	11	385314349	385314349	Water Valve Kit
5	385310801	385310792	Base Kit, White (includes 3, 4, 6, 7, 9, 10A, 11, 12)	12	385236096	385310683	Spring Cartridge Kit
		385310793	Base Kit, Bone (includes 3, 4, 6, 7, 9, 10A, 11, 12)	13	600340825		Flush Lever
		385310801	Base Kit, White (includes 3, 4, 6, 7, 9, 10, 11, 12, 13, 17)	14	600340177	600340177	Supply Hose, Bone
		385310802	Base Kit, Bone (includes 3, 4, 6, 7, 9, 10, 11, 12, 13, 17)	15	385310687	385310687	Vacuum Breaker Kit
6	385318162	385310681	Ball, Shaft & Cartridge Kit	15A	385319054	385319054	Vacuum Breaker Kit w/ Spray
7	600341549	600343938	Floor Flange Seal	15B	600340683	600340683	Hand Spray, White
8	385345889	385345889	Floor Flange Adapter, 3" MPT (sold separately)	15C	385230335	385230335	Vacuum Breaker (used w/ Spray)
	385345892	385345892	Floor Flange Adapter, 3" Socket (sold separately)	16	385310795	385310795	Vacuum Breaker Cover Kit, White
	385343765	385343765	Floor Flange Adapter, 3" Spigot (sold separately)				385310796
	307344653	307344653	Floor Flange Adapter, 45° Swivel (sold separately)	17	385310108	385310109	Pedestal Cover Kit, White

# 500 PLUS SERIES PARTS LIST

## MODEL 511+



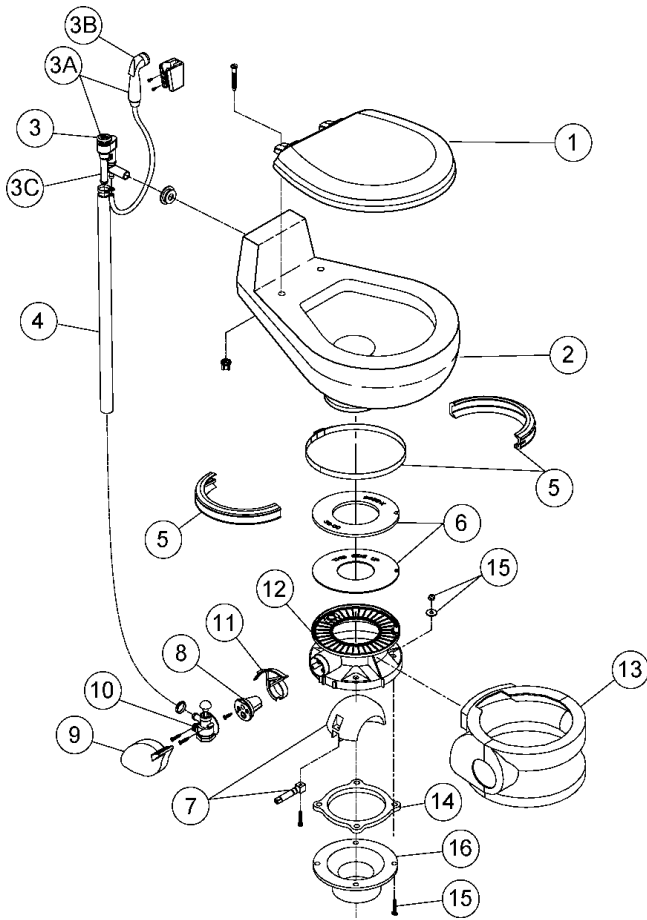
## MODEL 510+



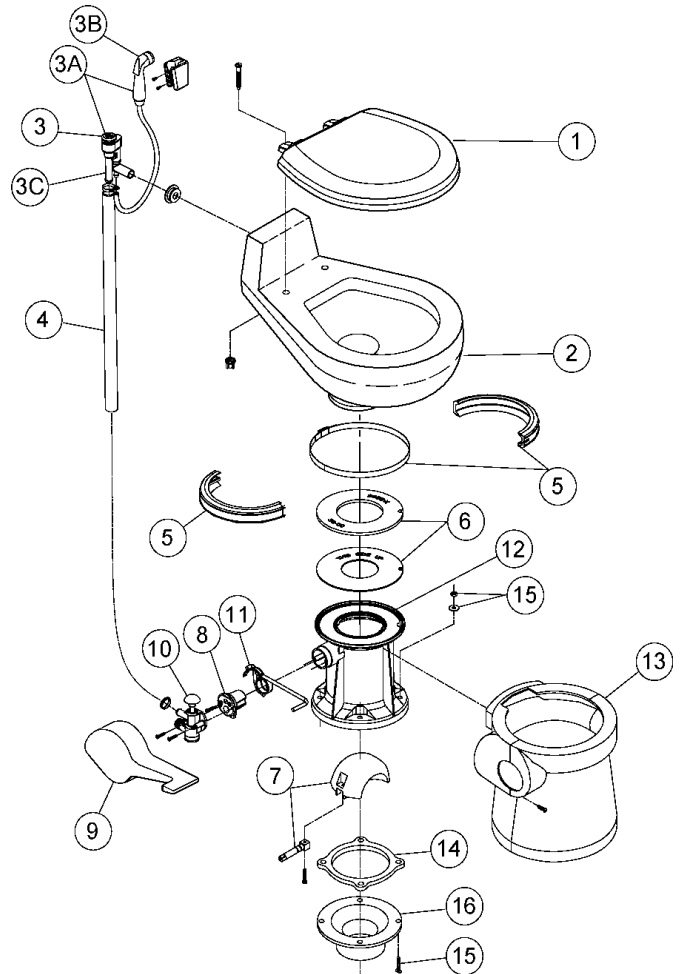
Item	511+	510+	Description	Item	511+	510+	Description				
1	385343829	385343829	Seat Assembly, White	9	385318162	385318162	Ball/Shaft/Cartridge Kit, White/Bone/Platinum				
	385343831	385343831	Seat Assembly, Bone		385310177	385310177	Ball/Shaft/Cartridge Kit, Ebony				
	385343897	385343897	Seat Assembly, Platinum		385310188	385310188	Ball/Shaft/Cartridge Kit, Teal				
	385343901	385343901	Seat Assembly, Ebony		10	385310117	385310114	Pedal Cover Kit, White			
	385343899	385343899	Seat Assembly, Teal			385310118	385310115	Pedal Cover Kit, Bone			
2	385310739	385310739	China Bowl Kit, White	385310119		385310116	Pedal Cover Kit, Platinum				
	385310740	385310740	China Bowl Kit, Bone	385310593		385310175	Pedal Cover Kit, Ebony				
	385310741	385310741	China Bowl Kit, Platinum	385310596		385310193	Pedal Cover Kit, Teal				
	385310742	385310742	China Bowl Kit, Ebony	11	385314349	385314349	Water Valve Kit				
	385310743	385310743	China Bowl Kit, Teal		12	385236096	385236096	Spring Cartridge Assembly			
3	385310048	385310048	Band Clamp & Half Clamp Kit			13	600340825	600340873	Flush Lever		
	4	385316140	385316140				Teflon® & Rubber Seal Kit	385310744	385310578	Flush Lever/Spring Cartridge Ass'y.	
		5	385310064				385310064	Mounting Bolt Kit	14 *	385310123	385310120
			6	385310108			385310111	Pedestal Cover Kit, White		385310124	385310121
				385310109	385310112		Pedestal Cover Kit, Bone	385310125		385310122	Base Kit, Platinum
385310110				385310113	Pedestal Cover Kit, Platinum	385310588	385310169	Base Kit, Ebony			
385310600	385310173			Pedestal Cover Kit, Ebony	385310620	385310198	Base Kit, Teal				
385310603	385310203	Pedestal Cover Kit, Teal		15	600340177	600340177	Supply Hose				
7	600341549	600341549	Floor Flange Seal		16	385316906	385316906	Vacuum Breaker Kit			
	8	385345889	385345889			Floor Flange, 3" MPT (sold separately)	16A	385230335	385230335	Vacuum Breaker Kit (used with Hand Spray)	
		385345892	385345892			Floor Flange, 3" Socket (sold separately)		17	385319054	385319054	Vacuum Breaker w/ Hand Spray Kit
		385343765	385343765			Floor Flange, 3" Spigot (sold separately)			18	600340683	600340683
		307344653	307344653	Floor Flange Adapter, 45° Swivel (sold separately)		600341770				600341770	Hand Spray, Ebony

# 2000 SERIES PARTS LIST

## MODEL 2011

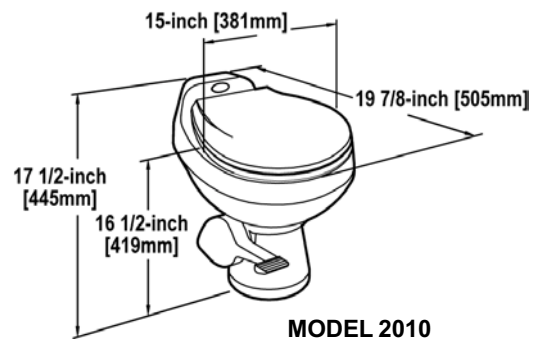
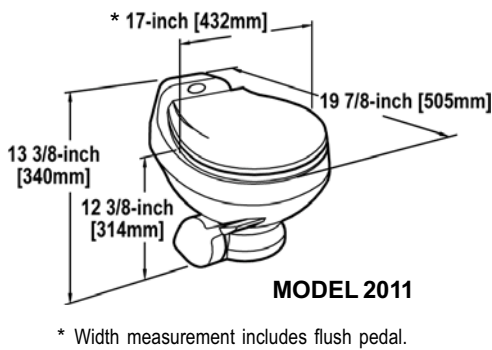
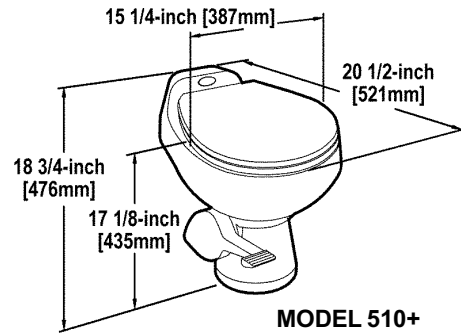
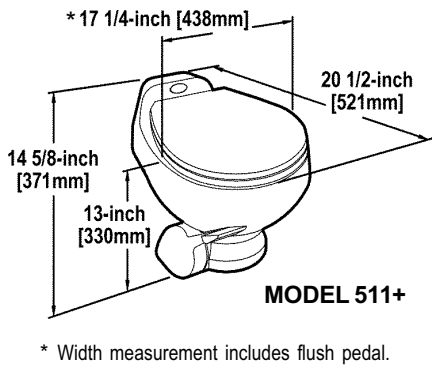
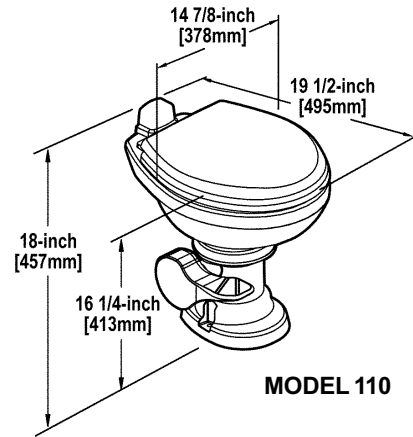
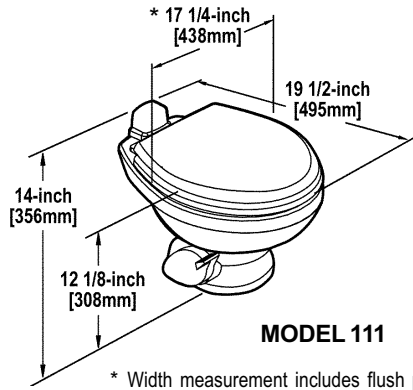


## MODEL 2010



Item	2011	2010	Description	Item	2011	2010	Description
1	385344436 385344437 385344438	385344436 385344437 385344438	Seat Assembly, White Seat Assembly, Bone Seat Assembly, Ebony	10	385314349	385314349	Water Valve Kit
2	385310615 385310616 385310585	385310615 385310616 385310585	China Bowl Kit, White China Bowl Kit, Bone China Bowl Kit, Ebony	11	600340825 385310579	600340873 385310578	Flush Lever Flush Lever & Spring Cartridge Kit
3	385316906	385316906	Vacuum Breaker Kit	12*	385310123 385310124 385310588	385310120 385310121 385310169	Base Kit, White Base Kit, Bone Base Kit, Ebony
3A	385319054	385319054	Vacuum Breaker with Spray Kit	13	385310108 385310109 385310600	385310111 385310112 385310173	Pedestal Cover Kit, White Pedestal Cover Kit, Bone Pedestal Cover Kit, Ebony
3B	600340683 600341770	600340683 600341770	Hand Spray, White Hand Spray, Ebony	14	600341549	600341549	Floor Flange Seal
3C	385230335	385230335	Vacuum Breaker (used with Hand Spray)	15	385310064	385310064	Mounting Bolt Kit
4	600340177	600340177	Supply Hose, Bone	16	385345889 385345892 385343765 307344653	385345889 385345892 385343765 307344653	Floor Flange, 3" MPT (sold separately) Floor Flange, 3" Socket (sold separately) Floor Flange, 3" Spigot (sold separately) Floor Flange Adapter, 45° Swivel (sold separately)
5	385310048	385310048	Band Clamp & Half Clamp Kit				
6	385316140	385316140	Teflon® & Rubber Seal Kit				
7	385318162 385310177	385318162 385310177	Ball/Shaft/Cartridge Kit, White/Bone Ball/Shaft/Cartridge Kit, Ebony				
8	385236096	385236096	Spring Cartridge Assembly				
9	385310117 385310118 385310593	385310114 385310115 385310175	Pedal Cover Kit, White Pedal Cover Kit, Bone Pedal Cover Kit, Ebony				

# DIMENSIONAL SPECIFICATIONS



All dimensions may vary  $\pm$  3/8-inch (10mm).



---

**NOTES**

---

## **MANUFACTURER'S THREE-YEAR AND TEN-YEAR LIMITED WARRANTIES**

Dometic Corporation warrants, to the original purchaser only, that this Traveler® gravity discharge toilet, if used for personal, family or household-like purposes, is free from defects in material and workmanship for a period of three (3) years from the date of purchase.

Dometic also warrants, to the original purchaser only, that the ceramic portion of the toilet bowl will not discolor, stain, scratch or craze for a period of ten (10) years if used for personal, family or household-like purposes, and is regularly cleaned as described in the product's owner's manual.

If this Dometic product is placed in commercial or business use, it will be warranted, to the original purchaser only, to be free of defects in material and workmanship for a period of ninety (90) days from the date of purchase.

Dometic reserves the right to replace or repair any part of this product that proves, upon inspection by Dometic, to be defective in material or workmanship. All labor and transportation costs or charges incidental to warranty service are to be borne by the purchaser-user.

### **EXCLUSIONS**

IN NO EVENT SHALL **DOMETIC** BE LIABLE FOR INCIDENTAL OR CONSEQUENTIAL DAMAGES, FOR DAMAGES RESULTING FROM IMPROPER INSTALLATION, OR FOR DAMAGES CAUSED BY NEGLIGENCE, ABUSE, ALTERATION, OR USE OF UNAUTHORIZED COMPONENTS. THIS INCLUDES FAILURES WHICH MAY RESULT FROM NOT FOLLOWING THE WINTERIZATION OR CLEANING PROCEDURES AS DESCRIBED ON PAGE 5 OF THIS OWNER'S MANUAL. ALL IMPLIED WARRANTIES, INCLUDING ANY IMPLIED WARRANTY OF MERCHANTABILITY OR FITNESS FOR ANY PARTICULAR PURPOSE, ARE LIMITED TO A PERIOD OF ONE (1) YEAR FROM DATE OF PURCHASE.

### **IMPLIED WARRANTIES**

No person is authorized to change, add to, or create any warranty or obligation other than that set forth herein.

Implied warranties, including those of merchantability and fitness for a particular purpose, are limited to one (1) year from the date of purchase for products used for personal, family or household-like purposes, and ninety (90) days from the date of purchase for products placed in commercial or business use.

### **OTHER RIGHTS**

Some states do not allow limitations on the duration of an implied warranty, and some states do not allow exclusions or limitations regarding incidental or consequential damages; so, the above limitations may not apply to you. This warranty gives you specific legal rights, and you may have other rights which vary from state to state.

To obtain warranty service, first contact your local dealer from whom you purchased this product.



**Dometic Corporation**  
13128 State Rt. 226, P.O. Box 38  
Big Prairie, OH 44611-0038 USA  
SeaLand Product Hotline 1-800-321-9886  
(8:00 a.m. - 5:00 p.m. ET)

® Registered; ™ Trademark of Dometic Corporation  
© Bar Keepers Friend is a trademark of Servaas Laboratories.  
® Teflon is a registered trademark of Du Pont Co.  
© Dometic Corporation