

VACUFLUSH®

Toilets & Sanitation Systems



 **Dometic** *Sealand*

VACUFLUSH SYSTEM

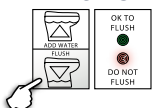
How VacuFlush® Toilets raise your level of

COMFORT

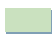

When comparing the many differences among marine toilet systems, most boaters find that VacuFlush systems offer all the advantages that result in homelike comfort and superior, long-lasting performance.

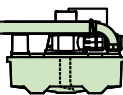
How VacuFlush

Works

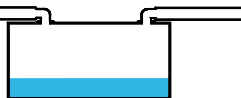


VacuFlush toilet

When the flush button or pedal is pushed, vacuum action  pulls the effluent  from the toilet, through the vacuum generator, and pushes it into the holding tank. The vacuum generator takes about one minute to recharge vacuum for the next flush.



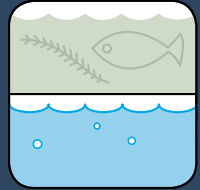
Vacuum generator



Holding tank

Fresh Water Flushing Stops Odors

Raw water flushing systems contain odor-causing seaweed and other living organisms that die and decay. Low-flow VacuFlush systems use clean, fresh water, thereby eliminating chances for odors.



Minimal Water Use Improves Tank Efficiency

Specially engineered to use little water per flush, VacuFlush systems preserve onboard water supplies and greatly increase the number of flushes between holding tank pump-out operations.



Powerful Vacuum Action Cleans Bowl and Lines

A vigorous combination of air and water flow clears the toilet bowl instantly and keeps plumbing lines open – reducing chances of hose odor permeation.



Look and Performance of Household Toilets

Adult-size seats, deep bowls and large water surfaces of many VacuFlush toilets make them extremely comfortable and easy to use. Electronic flush models offer simple one-touch flushing.



Low Power Use

Pedal-operated VacuFlush toilets draw a mere 2–6 amps per flush, and electronic Flush and Forget® models use only 7 amps more – comparing favorably to other systems that use up to 60 amps.



Unbeatable Reliability

By eliminating the problems associated with raw water systems, VacuFlush systems require less maintenance and extend component life significantly.



Enhanced Resale Value

Sparkling vitreous china toilets and a powerful vacuum sanitation system reflect a higher standard of quality and increase the value of boats.



4800 DESIGNER SERIES

All-ceramic VacuFlush® Toilets

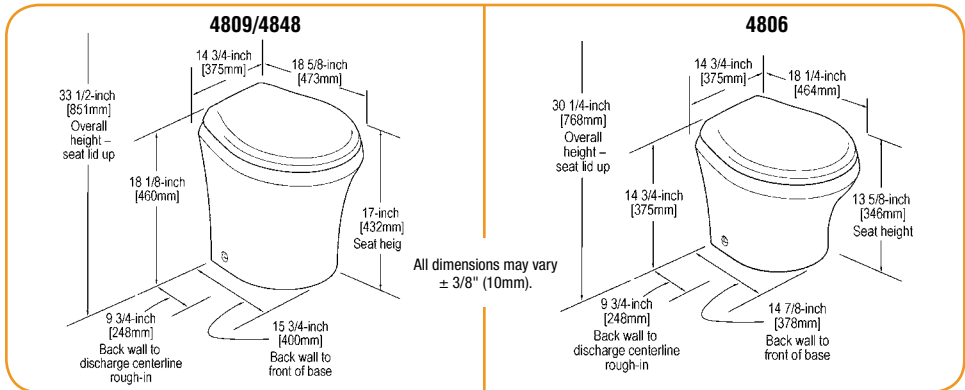
Luxurious comfort in a compact fixture – featuring electronic remote switch flushing, elongated seat, and “plug-in” base.

- 1.5 pints (.7 l) per flush
- Wall-mounted push button
- Standard, low-profile heights
- Above-, below-floor discharge options
- White, bone colors
- 12 VDC, 24 VDC models



4809/4848

Model	Description
4806	Low-profile toilet, through-the-floor discharge. Requires remote flush switch
4809	Standard height toilet, through-the-floor discharge. Requires remote flush switch
4848	Standard height toilet, through- or above-the-floor discharge. Requires remote flush switch



REMOTE FLUSH SWITCHES

A selection of remote flush switches for remote flush switch toilet models is shown on page 16.

TOILET REQUIREMENTS

- Electrical:** Wiring – 14 ga. stranded copper.
Circuit – 12 VDC or 24 VDC - 2-amp breaker (or in-line fuse).
- Water Supply:** Line/Fitting –.5-in. (13 mm) ID/.5-in. MPT.
Flow – 2 gpm (7.6 lpm) at toilet.
- Discharge:** 1.5-in. (38 mm) ID PVC pipe or sanitation hose connected to VacuFlush vacuum generator or holding tank system.



4806

4800 DESIGNER SERIES

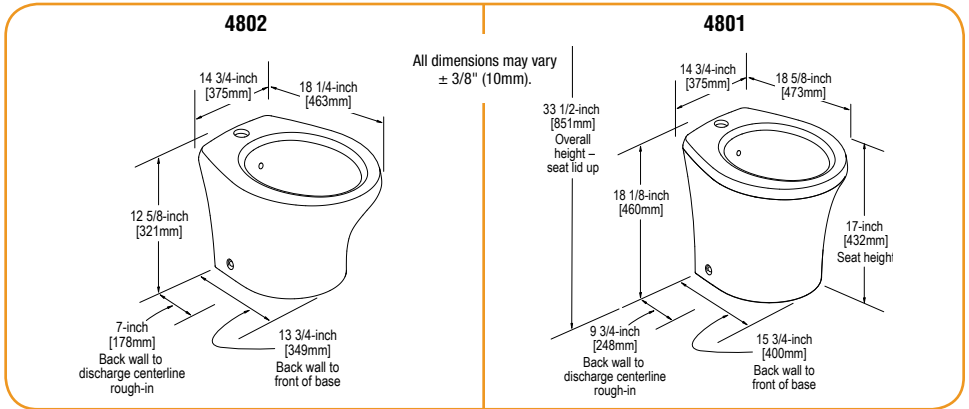
Bidets

Add continental flair to the bath with a sparkling 4800 series bidet.

- Complements 4800 series toilets
- Accommodates single-hole faucet fixtures
- Standard and low-profile heights
- Available in white and bone



Model	Description
4801	Standard-height bidet, gravity discharge
4802	Low-profile bidet, gravity discharge



BIDET REQUIREMENTS

Water Supply: Line/Fitting –.5-in. (13 mm) ID/.5-in. MPT. Flow – 4 gpm (14 lpm) at faucet.

Discharge: 1.5-in. (38 mm) PVC or sanitation hose connected to holding tank.

3600 DESIGNER SERIES

All-ceramic VacuFlush® Toilets

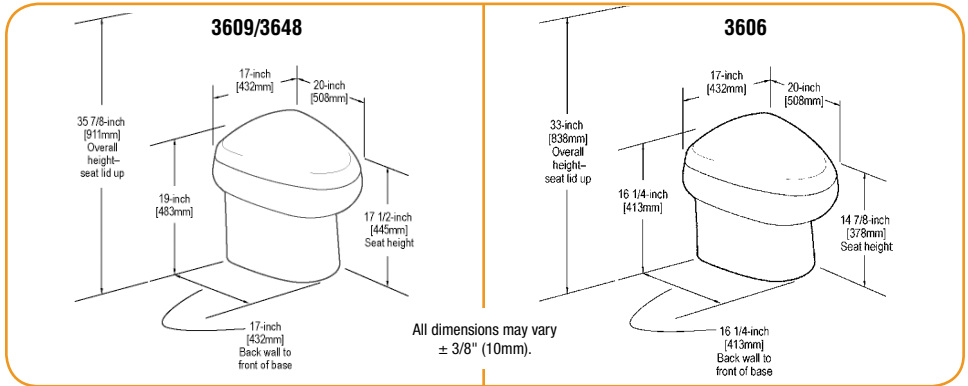
Ultra-contemporary design and residential size. Features remote switch flushing, elongated seat, and “plug-in” base.

- Programmable water use
- Wall-mounted push button
- Three operation modes (normal, service, manual override)
- Above-, below-floor discharge options
- White, bone colors
- 12 VDC, 24 VDC models



3606

Model	Description
3606	Low-profile toilet, through-the-floor discharge. Requires remote flush switch
3609	Standard height toilet, through-the-floor discharge. Requires remote flush switch
3648	Standard height toilet, through- or above-the-floor discharge. Requires remote flush switch



REMOTE FLUSH SWITCHES

A selection of remote flush switches for remote flush switch toilet models is shown on page 16.

TOILET REQUIREMENTS

- Electrical:** Wiring – 14 ga. stranded copper.
 Circuit – 12 VDC – 8-amp breaker
 24 VDC – 4-amp breaker
 (or in-line fuse).

Water Supply: Line/Fitting –.5-in. (13 mm) ID/.5-in. MPT.
 Flow – 4 gpm (14 lpm) at toilet.

Discharge: 1.5-in. (38 mm) ID PVC pipe or sanitation hose connected to VacuFlush vacuum generator or holding tank system.



3600 DESIGNER SERIES

Bidet and VacuFlush® Toilet/Bidet

Satisfy today's diverse standards of personal hygiene with these bidet products. Available in white and bone colors.



3626 Toilet/Bidet

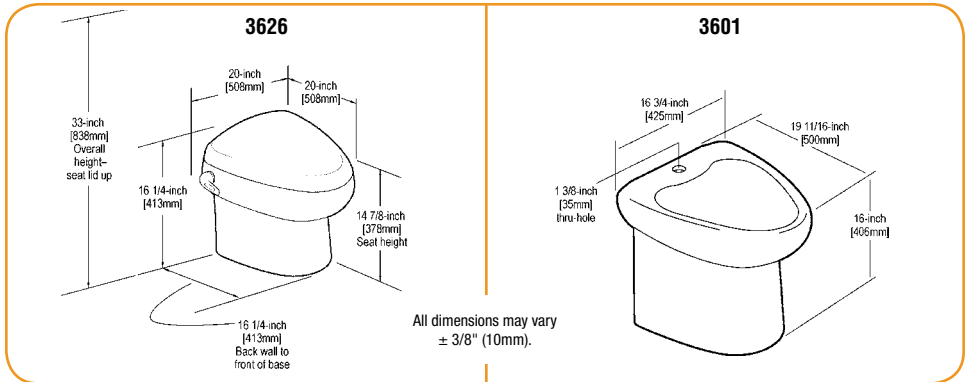
- VacuFlush technology
- Temperature-controlled wash
- 12 VDC, 24 VDC models



3601 Bidet

- Complements 3600 series toilets
- Accommodates single-hole punch faucet fixtures

Model	Description
3626	Low-profile toilet/bidet combo, through-the-floor discharge. Requires remote flush switch
3601	Standard height bidet



REMOTE FLUSH SWITCHES

A selection of remote flush switches for remote flush switch toilet models is shown on page 16.

BIDET REQUIREMENTS

Water Supply: Line/Fitting –.5-in. (13 mm) ID/.5-in. MPT. Flow – 4 gpm (14 lpm) at faucet.

Discharge: 1.5-in. (38 mm) PVC or sanitation hose connected to holding tank.

TOILET/BIDET REQUIREMENTS

Flush Switch: Contact Dometic Sanitation for details.

Electrical: Wiring – 14 ga. stranded copper. Circuit – 12 VDC – 8-amp breaker; 24 VDC – 4-amp breaker (or in-line fuse).

Water Supply: Line/Fitting –.5-in. (13 mm) ID /.5-in. MPT, cold and hot water. Flow – 4 gpm (14 lpm) at toilet.

Discharge: 1.5-in. (38 mm) ID PVC pipe or sanitation hose connected to VacuFlush vacuum generator or holding tank system.

5000 SERIES

Compact, Versatile VacuFlush® Toilets

Large household-size bowl with shallow front-to-back footprint delivers installation ease and user comfort for all boat sizes.

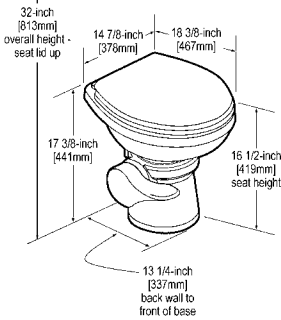
- 1 pint (.4 l) per flush
- Foot-pedal flush
- Standard, medium, and low-profile heights
- Above-, below-floor discharge options
- White, bone colors



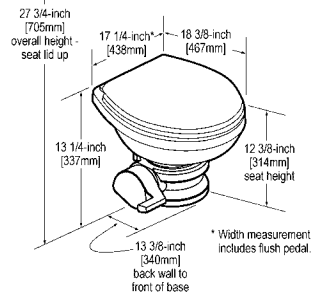
5009/5048

Model	Description
5006	Low-profile, through-the-floor discharge, foot pedal flush
5009	Standard height, through-the-floor discharge, foot pedal flush
5047	Standard height, above-the-floor right side discharge, foot pedal flush
5048	Standard height, above-the-floor rear discharge, foot pedal flush
5049	Standard height, above-the-floor left side discharge, foot pedal flush
5147	Medium height, above-the-floor right side discharge, foot pedal flush
5148	Medium height, above-the-floor rear discharge, foot pedal flush
5149	Medium height, above-the-floor left side discharge, foot pedal flush

5009/5047/5048/5049



5006

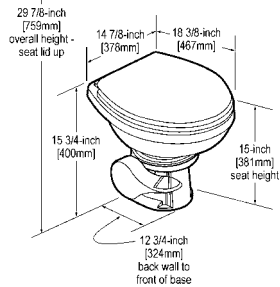


All dimensions may vary ± 3/8" (10mm).

5148



5147/5148/5149



TOILET REQUIREMENTS

Water Supply: Line/Fitting – .5-in. (13 mm) ID/.5-in. MPT. Flow – 2 gpm (7.6 lpm) at toilet.

Discharge: 1.5-in. (38 mm) ID PVC pipe or sanitation hose connected to VacuFlush vacuum generator or holding tank system.

500 PLUS SERIES

Home-comfort VacuFlush® Toilets

Elongated HushFlush seat and deep, household-size ceramic bowl offer premium user comfort. Anti-splash rim keeps water in.

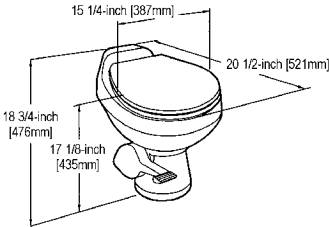
- 1 pint (.4 l) per flush
- Foot-pedal operation
- Standard and low-profile heights
- Above-, below-floor discharge options
- White, bone, platinum, ebony colors



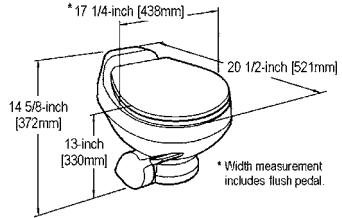
508+/547+/548+

Model	Description
506+	Low-profile, through-the-floor discharge, foot pedal flush
508+	Standard height, through-the-floor discharge, foot pedal flush
547+	Standard height, above-the-floor right side discharge, foot pedal flush
548+	Standard height, above-the-floor rear discharge, foot pedal flush

508+/547+/548+



506+



All dimensions may vary
± 3/8" (10mm).

506+



TOILET REQUIREMENTS

Water Supply: Line/Fitting – .5-in. (13 mm) ID/.5-in. MPT. Flow – 2 gpm (7.6 lpm) at toilet.

Discharge: 1.5-in. (38 mm) ID PVC pipe or sanitation hose connected to VacuFlush vacuum generator or holding tank system.

700 AND 140 SERIES

Space-saving VacuFlush® Toilets

Sized for smaller boats, these toilets flush on as little as one pint of water.

MODEL 706

- Low-profile height
- Below-floor discharge; rotates 360°

140 SERIES (ECOVAC™)

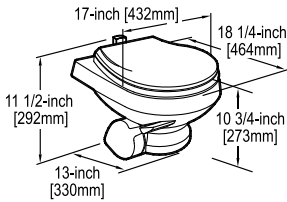
- Medium height
- Above-floor right, left and rear discharge options



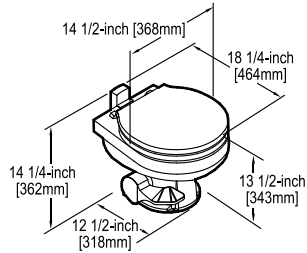
706

Model	Description
706	Low-profile, through-the-floor discharge, foot pedal flush
147	Medium height, above-the-floor right side discharge, foot pedal flush
148	Medium height, above-the-floor rear discharge, foot pedal flush
149	Medium height, above-the-floor left side discharge, foot pedal flush

706



147/148/149



All dimensions may vary $\pm 3/8"$ (10mm).

147/148/149



All models available in white or bone colors.

TOILET REQUIREMENTS

Water Supply: Line/Fitting – .5-in. (13 mm) ID/.5-in. MPT. Flow – 2 gpm (7.6 lpm) at toilet.

Discharge: 1.5-in. (38 mm) ID PVC pipe or sanitation hose connected to VacuFlush vacuum generator or holding tank system.

150 SERIES/VHT4500

Complete VacuFlush® Toilet/Holding Tank System

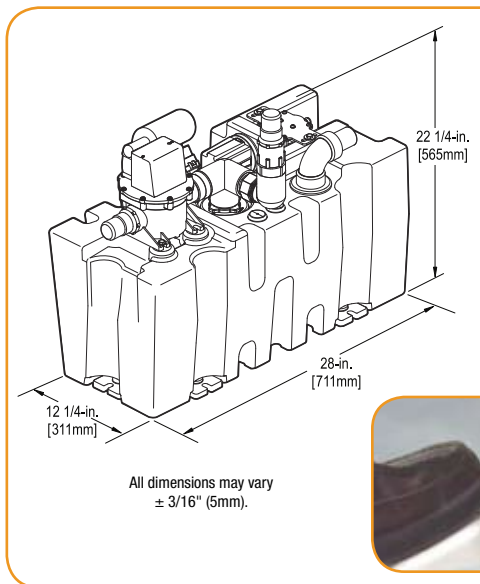
For many boats from 19 to 26 feet in length (5.8 to 8 m), this totally integrated VacuFlush toilet/vacuum holding tank system is the perfect answer – holding as many flushes as a standard 30-gallon (114 l) tank when used with a typical marine toilet.

- Includes “3/4 Full” and “Full” tank probes and indicator panel
- Automatic “Full” shutdown prevents tank overflow
- Optional discharge pump models available



VHT4511

Model	Description
4501	9-gallon (34-liter) vacuum holding tank, straight discharge fitting (vertical)
4502	9-gallon (34-liter) vacuum holding tank, elbow discharge fitting (vertical)
4511	9-gallon (34-liter) vacuum holding tank, swivel discharge fitting
157	Medium height, above-the-floor right side discharge, foot pedal flush, pedal lock
158	Medium height, above-the-floor rear discharge, foot pedal flush, pedal lock
159	Medium height, above-the-floor left side discharge, foot pedal flush, pedal lock

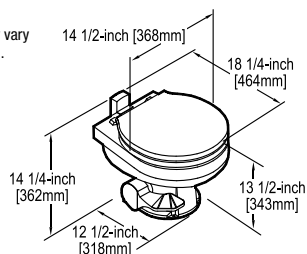


150 SERIES VACUFLUSH TOILET

Includes Pedal Lock that holds flush valve open during pump-out to completely discharge holding tank. Small footprint fits anywhere.



All dimensions may vary ± 3/8" (10mm).



TOILET REQUIREMENTS

- Water Supply:** Line/Fitting – .5-in. (13 mm) ID/.5-in. MPT. Flow – 2 gpm (7.6 lpm) at toilet.
- Discharge:** 1.5-in. (38 mm) ID PVC pipe or sanitation hose connected to VHT 4500 model.

VACUUM HOLDING TANK REQUIREMENTS

- Electric:** Vacuum pump: 3 amps (12 VDC). 5-amp fuse or circuit breaker.
- Inlet:** 1.5-in. (38 mm) ID PVC pipe or sanitation hose from VacuFlush toilet.
- Discharge:** 1.5-in. (38 mm) ID PVC pipe or sanitation hose connected to discharge fittings.

TANK SPECIFICATIONS

- Waste Capacity:** 9.0 gallons (34 l).
- Empty Weight:** 30 lbs. (14 kg)*
- Full Weight:** 102 lbs. (46 kg)*

* Weight of basic VHT4500. For model with discharge pump included, add 8 lbs. (4 kg).

VACUUM HOLDING TANK

Performance Boat Appeal

For performance boats and other trailerable boats with limited space for sanitation system components, the VHT12 combines a vacuum pump and 6.5-gallon (25 l) capacity holding tank.

- High-strength polyethylene tank
- Vacuum relief valve protects tank during pump-out
- Includes “Full” level tank probe and automatic shutdown when full
- No solvent-bonded connections required



VHT12

CASSETTE VACUUM TANK

Most Compact VacuFlush® Tank

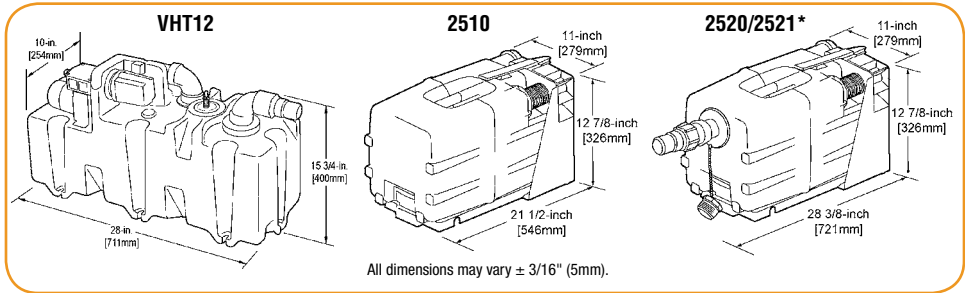
Offer the VacuFlush advantage on deck boats and small cuddies with this portable cassette vacuum holding tank. It connects to any VacuFlush toilet and flushes on as little as one pint (.4 l) of water.

- High-strength polypropylene tank
- Removable cassette tank (2510) or permanent MSD models (2520, 2521)
- Status panel displays vacuum status, “Full” tank indicator, tank removal
- Safety shut-off prevents overfilling
- Can be placed 26 feet (8 meters) from vacuum toilet



2510

Item	Description
317769012	6.5 gallon (25 liter) vacuum holding tank
317769112	6.5 gallon (25 liter) vacuum holding tank, swivel discharge fitting
317769212	6.5 gallon (25 liter) vacuum holding tank, 3/4 full relay
326002510	3.6 gallon (14 liter) cassette vacuum tank
326002520	3.0 gallon (11.5 liter) cassette vacuum tank, straight discharge fitting
326002521	3.0 gallon (11.5 liter) cassette vacuum tank, elbow discharge fitting



VACUUM HOLDING TANK REQUIREMENTS

Electric: Amp draw – 3 amps (12 VDC) 5-amp fuse or circuit breaker.

Inlet: 1.5-in. (38 mm) ID PVC pipe or sanitation hose from VacuFlush toilet.

Discharge: 1.5-in. (38 mm) ID PVC pipe or sanitation hose connected to discharge fitting.

SPECIFICATIONS

Waste Capacity: 6.5 gallons (25 l) **Empty Weight:** 26.5 lbs. (12 kg) **Full Weight:** 81 lbs. (37 kg)

CASSETTE VACUUM TANK REQUIREMENTS

Electric: Amp draw – 1.5 amps (12 VDC). 5-amp fuse or circuit breaker.

Inlet: 1.5-in. (38 mm) ID PVC pipe or sanitation hose from VacuFlush toilet.

Discharge: 1.5-in. (38 mm) ID PVC pipe or sanitation hose connected to discharge fitting.

SPECIFICATIONS

Waste Capacity: 3.6 gallons (14 l) – 2510; 3.0 gallons (11.5 l) – 2520, 2521

Empty Weight: 13.3 lbs. (6 kg) – 2510; 14.3 lbs. (6.5 kg) – 2520, 2521

Full Weight: 42.1 lbs. (19.1 kg) – 2510; 43.1 lbs. (19.5 kg) – 2520, 2521

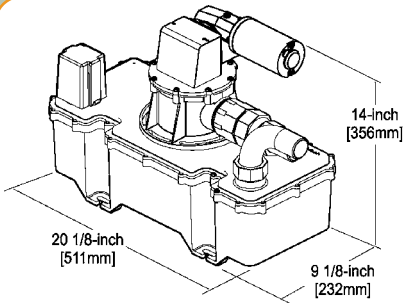
* Model 2521 (not shown) includes elbow discharge fitting. Dimensions are same as 2520.

J SERIES

Vacuum Generator – The Heart of VacuFlush® Technology

The latest development in vacuum technology features new “whisper quiet” operation. Includes an injection-molded tank and integrated features that benefit installers and boat owners.

- 34% faster vacuum regeneration than previous models
- Same overall dimensions as previous model
- Advanced features improve installation and service
- 12 and 24 VDC models



Item	Description
317780012	J series vacuum generator, 12 VDC
317780024	J series vacuum generator, 24 VDC

Installation Flexibility – Pump body and plumbing fittings easily rotate to accommodate diverse plumbing layouts. Inlet and outlet fittings are interchangeable.

Improved Pump Flow – Large 2-inch (51mm) ID duckbill valves improve flow through pump.

Enhanced Serviceability – Two-piece vacuum tank allows easy removal of top if necessary. Spin nut connections also allow easy removal of fittings.

Improved Reliability – Injection-molded tank with integrated diptube maintains precise tolerances for long-lasting, optimal pumping efficiency.

VACUUM GENERATOR REQUIREMENTS

Electric: Amp draw – 6 amps (12 VDC); 3 amps (24 VDC).

12 VDC – 10-amp fuse or circuit breaker.

24 VDC – 5-amp fuse or circuit breaker.

Inlet: 1.5-in. (38 mm) ID PVC pipe or sanitation hose from VacuFlush toilet.

Discharge: 1.5-in. (38 mm) ID PVC pipe or sanitation hose connected to holding tank system.

S SERIES

Vacuum Generator – Low-Profile Flexibility

Wherever space is limited, the VacuFlush® low-profile vacuum generator is the perfect fit. The vacuum generator combines the pump and vacuum tank into one unit for easy installation – yet they can be installed separately for unique applications.

- New “whisper quiet” operation
- High-strength polyethylene tank
- Prewired and assembled – requires no solvent bonding
- 12 and 24 VDC



**S SERIES LOW-PROFILE
VACUUM GENERATOR**

**S SERIES
VACUUM PUMP**

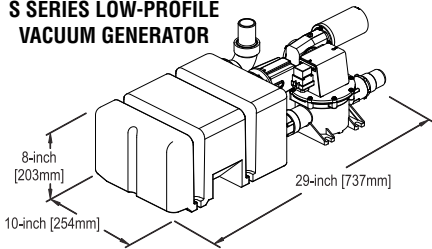


S Series Vacuum Pump

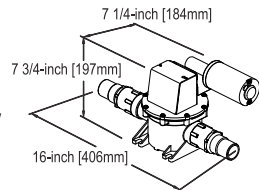
Connects to separate vacuum tank (see next page) for added installation versatility.

Item	Description
317770012	S series low-profile vacuum generator, 12 VDC
317770024	S series low-profile vacuum generator, 24 VDC
317201200	S series vacuum pump, 12 VDC
317202400	S series vacuum pump, 24 VDC

S SERIES LOW-PROFILE VACUUM GENERATOR



S SERIES VACUUM PUMP



All dimensions may vary
± 3/16" (5mm).

S SERIES REQUIREMENTS

Electric: Amp draw – 6 amps (12 VDC); 3 amps (24 VDC).
12 VDC – 10-amp fuse or circuit breaker.
24 VDC – 5-amp fuse or circuit breaker.

Inlet: Vacuum generator – 1.5-in. (38 mm) ID PVC pipe or sanitation hose from VacuFlush toilet.
Vacuum pump – 1.5-in. (38 mm) ID PVC pipe or sanitation hose from VacuFlush vacuum tank.

Discharge: 1.5-in. (38 mm) ID PVC pipe or sanitation hose connected to holding tank system.

M SERIES

Vacuum Pump— Maximum Power for Multiple Toilets

Install up to eight toilets and vacuum tanks to ONE vacuum pump with the super-powerful M series vacuum pump. It's ideal for heavy-use applications such as charters or rentals.

- Quadra-Valve design passes foreign objects up to 1-in. (25 mm) dia.
- Heavy-duty bronze body
- Runs dry without damage
- 1/2 HP motor; 12 and 24 VDC, 115 VAC models



M SERIES VACUUM PUMP

Vacuum Tank

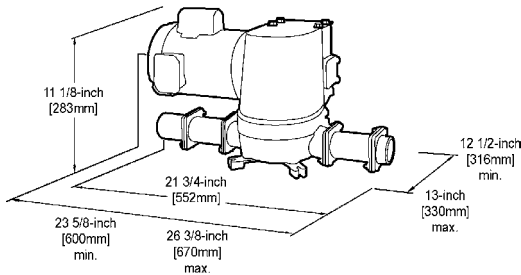
Connected to any VacuFlush® vacuum pump, it stores a powerful vacuum force that evacuates the toilet bowl with every flush. Installs vertically, horizontally, or suspended from ceiling.



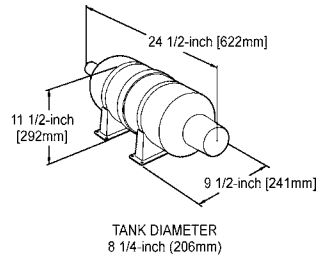
**VACUUM
TANK**

Item	Description
317501200	M series vacuum pump, 12 VDC
317502400	M series vacuum pump, 24 VDC
317511500	M series vacuum pump, 115 VAC
317729100	Vacuum tank

M SERIES VACUUM PUMP



VACUUM TANK



M SERIES VACUUM PUMP REQUIREMENTS

Electric: Amp draw – 40 amps (12 VDC); 20 amps (24 VDC); 8 amps (115 VAC).

12 VDC – 50-amp fuse or circuit breaker.

24 VDC – 25-amp fuse or circuit breaker.

115 VAC – 10-amp fuse or circuit breaker.

3/4 HP motor models also available and require larger breaker/fuse.

Inlet: 1.5-in. (38 mm) ID PVC pipe or sanitation hose from VacuFlush vacuum tank.

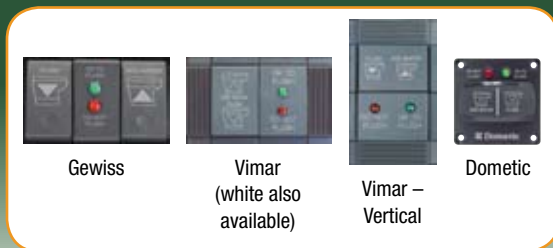
Discharge: 1.5-in. (38 mm) ID PVC pipe or sanitation hose connected to holding tank system.

VACUFLUSH® CONTROLS, PANELS

Remote Flush Switches

- For use with all-ceramic VacuFlush electronic flush toilets.
- Vimar and Gewiss models complement popular marine electronic switches.
- Vimar and Gewiss mounting bezels must be purchased separately from manufacturer.

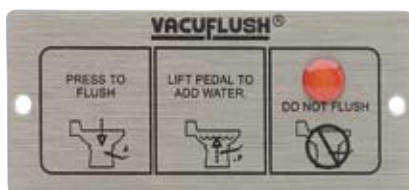
Item	Description
313401012	Vimar white switch, 12 VDC
313401024	Vimar white switch, 24 VDC
313402012	Vimar gray switch, 12 VDC
313402024	Vimar gray switch, 24 VDC
313402212	Vimar gray vertical switch, 12 VDC
313402224	Vimar gray vertical switch, 24 VDC
313403012	Gewiss gray switch, 12 VDC
313403024	Gewiss gray switch, 24 VDC
313404112	Dometic black switch, 12 VDC
313404124	Dometic black switch, 24 VDC



VacuStat™ Indicator Panel and VacuFlush “Do Not Flush” Panel

- VacuStat panel continuously monitors status of vacuum for proper toilet operation.
- “Do Not Flush” panel’s red light indicates full holding tank (when installed with a tank level monitoring system) and when there is insufficient vacuum for proper toilet operation.
- Brushed metallic look complements bath décor.

Item	Description
313700012	VacuStat indicator panel, 12 VDC
313700024	VacuStat indicator panel, 24 VDC
313720012	Do Not Flush panel, 12 VDC
313720024	Do Not Flush panel, 24 VDC



Dometic® Tank Monitor System

- The most flexible level indicator available.
- Continuously monitors holding tank level. Micro float switches indicate empty, low, mid and full. International symbology for universal use.
- Always one – and only one – light on. Eliminates confusion.
- No false readings. No electrical components come in contact with waste or water. Operates on 12- or 24-volt DC.
- Easy to install. Use on any size fresh, gray or black water tank. Available with either 22-inch or 45-inch adjustable probes.
- Optional relay shuts down toilet when waste tank is full or shuts down water pump when freshwater tank is empty.



Item	Description
313604001	DTM4 panel, probe cap with vent, 22-in. probes
313604002	DTM4 panel, probe cap, 22-in. probes
360604003	DTM4 panel, probe cap with vent, 45-in. probes
360604004	DTM4 panel, probe cap, 45-in. probes

Item	Description
313000350	Probe cap with vent, 22-in. probes
313000355	Probe cap, 22-in. probes
313000345	Probe cap with vent, 45-in. probes
313000346	Probe cap, 45-in. probes

VACUFLUSH® CONTROLS, PANELS

VacuFlush Status Panel

- Provides guest-proof operation.
- Indicates when the vacuum level is ready for flushing.
- Convenient circuit breaker switch allows the system to be shut down at night.

Item	Description
313500012	VacuFlush status panel, 12 VDC
313500024	VacuFlush status panel, 24 VDC



TankMaster™ 4 Automatic Discharge Pump Control

- Diverts sewage directly overboard in unrestricted waters when holding tank reaches mid level and keyed control switch is set to “automatic” position.
- Prevents accidental overboard discharge in restricted waters when control switch is turned to “off” position.
- Simplifies plumbing by eliminating wye valves, seacocks and vented loops. Eliminates stagnating sewage trapped in hoses.
- Includes control panel with keyed switch, discharge pump light and optional seacock light. For use with discharge pump, TankWatch 4 level monitor system and optional seacock interlock system.

Item	Description	Item	Description
313814012	TankMaster 4, 12 VDC	313804012	TankMaster 4 with seacock light, 12 VDC
313814024	TankMaster 4, 24 VDC	313804024	TankMaster 4 with seacock light, 24 VDC



TankManager™ Discharge Pump Controller and Automatic Level Indicator

- Complete sanitation management system for offshore boats.
- Monitors holding tank level.
- Allows manual overboard discharge – pump turns off automatically.
- Includes control panel and control module.
- For use with SeaLand discharge pump and TankWatch® 4 system (sold separately).
- Optional model available for use with SeaLand seacock interlock relay.
- 12 VDC and 24 VDC systems.

Item	Description
313131012	TankManager, manual start, single head, 12 VDC
313131024	TankManager, manual start, single head, 24 VDC
313131112	TankManager, manual start, seacock light, single head, 12 VDC
313131124	TankManager, manual start, seacock light, single head, 24 VDC
313131212	TankManager, manual start, multiple head, 12 VDC
313131224	TankManager, manual start, multiple head, 24 VDC
313131312	TankManager, manual start, seacock light, multiple head, 12 VDC
313131324	TankManager, manual start, seacock light, multiple head, 24 VDC

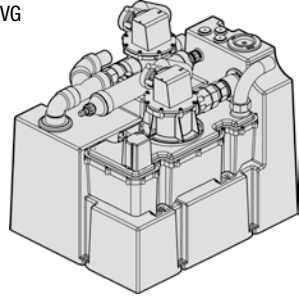


VACUFLUSH® HTS SERIES

HTS-VG Models—Holding Tank Systems with Built-in Vacuum Generators

Virtually any boat from 19 feet in length and longer can feature a complete VacuFlush toilet system. Many HTS-VG models include level indicators, vacuum relief valve, vent filter and discharge pump for added convenience and reliability.

21 HTS-VG



10 HTS-VG

Model	Capacity (gal./liters)	Empty Weight (lbs./kg)	Maximum Weight (lbs./kg)	Dimensions
10 HTS-VG	10 / 38	36 / 16.3	116 / 52.6	see pg. 22
18 HTS-VG	18 / 68	39 / 17.7	183 / 83	see pg. 22
21 HTS-VG	21 / 80	52 / 24	220 / 100	see pg. 22
28 HTS-VG	27.5 / 104	56.5 / 25.6	277 / 126	see pg. 22
28 HTS-VG-HL	28 / 106	56.5 / 25.6	281 / 128	see pg. 22
35 HTS-VG	35 / 132	58 / 26.3	338 / 153	see pg. 22
39 HTS-VG	39 / 148	84 / 38	396 / 180	see pg. 22
40 HTS-VG	40 / 151	80 / 36.4	440 / 200	see pg. 23
42 HTS-VG	42 / 159	70 / 31.8	406 / 184	see pg. 23
55 HTS-VG	55 / 208	90 / 40.8	530 / 240	see pg. 23
80 HTS-VG	80 / 302	90 / 40.8	730 / 331	see pg. 23

*All vacuum generators include W-series pump motor and VacuFlush shutdown relay.

- New "whisper quiet" operation
- Leak-proof, high-strength polyethylene holding tank
- Prewired and assembled—requires no solvent bonding
- 12 and 24 VDC models
- ISO/USCG compliant tanks
- Implosion-protected against high-powered dockside vacuum pumps



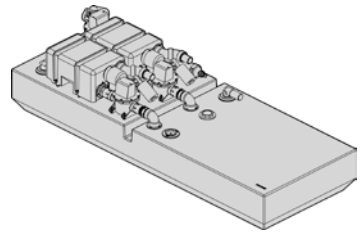
28 HTS-VG

VACUFLUSH HOLDING TANK SYSTEM REQUIREMENTS

Electric: Vacuum generator[†] – 10 amps (12 VDC); 5 amps (24 VDC).
 Level indicator – 3 amps (12 VDC); 3 amps (24 VDC).
 Discharge pump[†] – 10 amps (12 VDC); 5 amps (24 VDC).
[†] Requires separate circuit breaker.

Plumbing: Inlet fitting – 1.5-in. (38 mm) ID PVC pipe or sanitation hose from VacuFlush toilet.
 Discharge fittings – 1.5-in. (38 mm) ID PVC pipe or sanitation hose.
 Vent outlet – 5/8-in. (16 mm) ID

80 HTS-VG



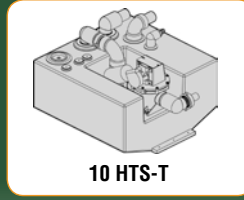
Vacuum Generator (qty.)*	TankWatch System	TankSaver Relief Valve	Outlets (qty.)	Discharge Pump	Vent Filter
1	included	included	1	–	–
1	included	included	1	–	–
1	included	included	2	included	included
1	included	included	2	included	included
1	included	included	2	included	included
1	included	included	2	included	included
2	included	included	2	included	included
2	included	included	2	included	–
1	included	included	2	included	included
2	included	included	2	included	–
2	included	included	2	included	–

Specifications subject to change without notice.

SEALAND HTS SERIES

HTS-Basic Model

A high-quality, odor-free holding tank system can be installed in virtually any boat with this wide selection of Sealand holding tank systems. Top-mounted discharge fittings prevent potential leaks, and all models feature many other performance advantages.



10 HTS-T



35 HTS-HL



28 HTS-HL



28 HTS-T

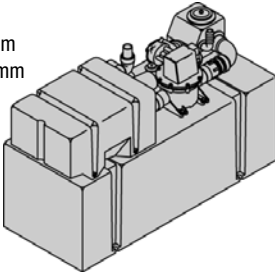
Model	Capacity (gal./liters)	Empty Weight (lbs./kg)	Maximum Weight (lbs./kg)
Models including Discharge Pump			
10 HTS-T	10 / 38	18 / 8.2	98 / 40.9
28 HTS-T	27.5 / 104	40 / 18	260 / 118
40 HTS-T	40 / 151	44 / 20	364 / 165
Basic Models			
12 HTS-VRT	11 / 42	20 / 9.1	108 / 49
12 HTS-HRZ	11 / 42	20 / 9.1	108 / 49
12 HTS-HL	12 / 45	22 / 10	118 / 53.5
15 HTS-VRT	15 / 57	25 / 11.3	145 / 65.8
15 HTS-HRZ	15 / 57	25 / 11.3	145 / 65.8
20 HTS-VRT	18 / 68	27 / 12.2	171 / 77.6
20 HTS-HRZ	18 / 68	27 / 12.2	171 / 77.6
25 HTS-HRZ	25 / 94	31 / 14.1	231 / 105
28 HTS-HL	28 / 106	37 / 16.8	261 / 118
30 HTS-HRZ	28 / 106	37 / 16.8	261 / 118
35 HTS-HL	35 / 132	38 / 17.2	318 / 144
40 HTS-HRZ	34 / 129	41 / 18.6	313 / 142
50 HTS-VRT-HL	50 / 189	53 / 24	453 / 205
50 HTS-HRZ-HL	50 / 189	53 / 24	453 / 205
55 HTS-HRZ	55 / 208	53 / 24	493 / 224
80 HTS-HRZ	80 / 302	54 / 24.5	694 / 315

Specifications subject to change without notice.

HTS-VG MODEL DIMENSIONS

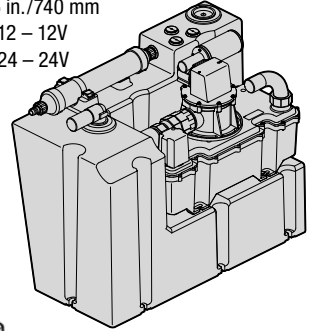
10 HTS-VG

Height: 16 in./406 mm
Width: 10.875 in./276 mm
Length: 32.375 in./822 mm
Item: 322711012 – 12V
Item: 322101024 – 24V



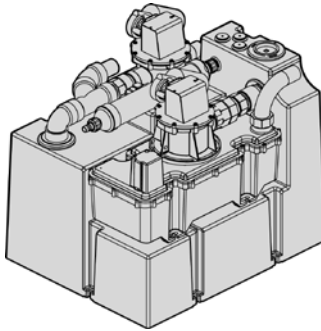
18 HTS-VG

Height: 23 in./584 mm
Width: 15.25 in./387 mm
Length: 29.125 in./740 mm
Item: 322711812 – 12V
Item: 322011824 – 24V



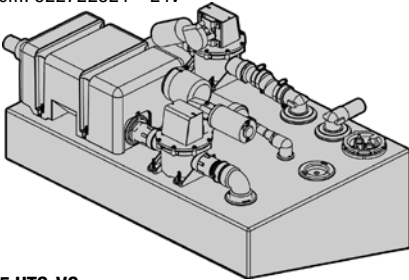
21 HTS-VG

Height: 22 in./559 mm
Width: 20 in./508 mm
Length: 25 in./635 mm
Item: 322702112 – 12V
Item: 322702124 – 24V



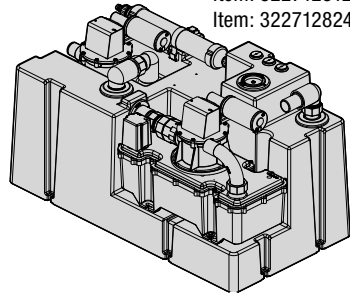
28 HTS-VG-HL

Height: 19.625 in./498 mm
Width: 24.25 in./616 mm
Length: 38.5 in./978 mm
Item: 322722812 – 12V
Item: 322722824 – 24V



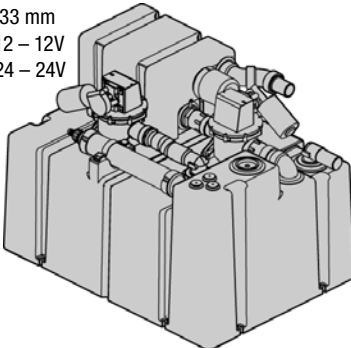
28 HTS-VG

Height: 19.75 in./502 mm
Width: 19.25 in./489 mm
Length: 36.75 in./933 mm
Item: 322712812 – 12V
Item: 322712824 – 24V



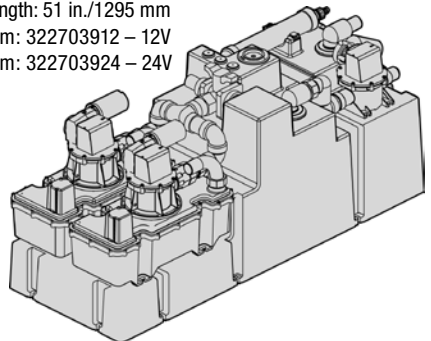
35 HTS-VG

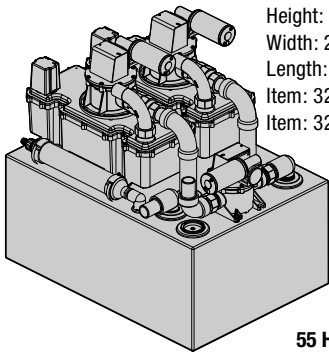
Height: 21.5 in./546 mm
Width: 22.5 in./572 mm
Length: 32 in./833 mm
Item: 322713512 – 12V
Item: 322013524 – 24V



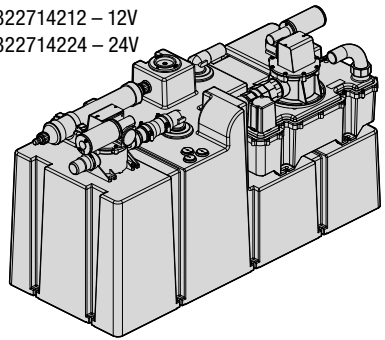
39 HTS-VG

Height: 21.5 in./546 mm
Width: 18.5 in./470 mm
Length: 51 in./1295 mm
Item: 322703912 – 12V
Item: 322703924 – 24V

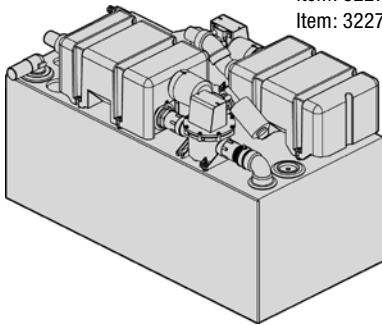




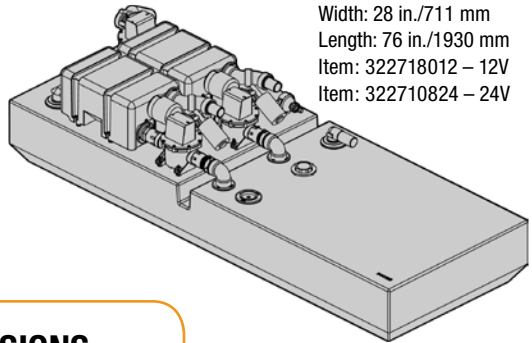
40 HTS-VG
 Height: 28.5 in./724 mm
 Width: 22 in./559 mm
 Length: 32 in./813 mm
 Item: 322714012 – 12V
 Item: 322714024 – 24V



42 HTS-VG
 Height: 25.25 in./641 mm
 Width: 18 in./457 mm
 Length: 44.5 in./1130 mm
 Item: 322714212 – 12V
 Item: 322714224 – 24V

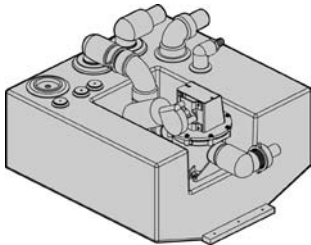


55 HTS-VG
 Height: 24 in./610 mm
 Width: 21.5 in./546 mm
 Length: 40 in./1016 mm
 Item: 322715512 – 12V
 Item: 322715524 – 24V

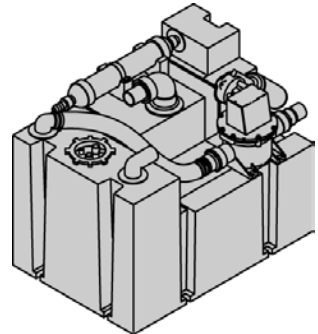


80 HTS-VG
 Height: 17.5 in./445 mm
 Width: 28 in./711 mm
 Length: 76 in./1930 mm
 Item: 322718012 – 12V
 Item: 322710824 – 24V

HTS-T MODEL DIMENSIONS

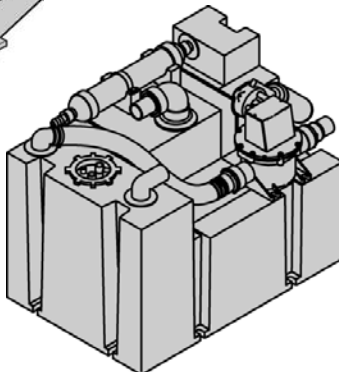


10 HTS-T
 Height: 13.25 in./635 mm
 Width: 19.5 in./495 mm
 Length: 23.375 in./594 mm
 Item: 322721012 – 12V
 Item: 322721024 – 24V



28 HTS-T
 Height: 19.5 in./495 mm
 Width: 19 in./483 mm
 Length: 30 in./762 mm
 Item: 322012812 – 12V
 Item: 322012824 – 24V

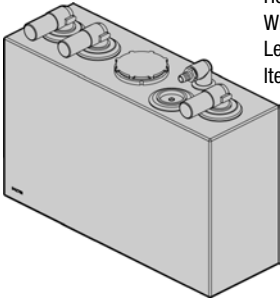
40 HTS-T
 Height: 20 in./508 mm
 Width: 21 in./533 mm
 Length: 35 in./889 mm
 Item: 322014012 – 12V
 Item: 322014024 – 24V



HTS-BASIC MODEL DIMENSIONS

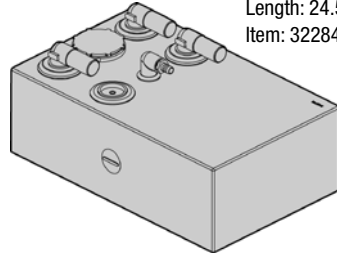
12 HTS-VRT

Height: 17.75 in./451 mm
Width: 8.25 in./210 mm
Length: 24.5 in./622 mm
Item: 322840122



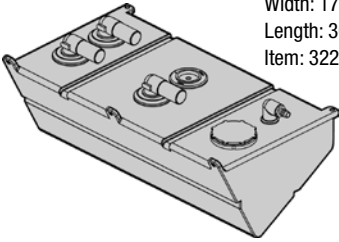
12 HTS-HRZ

Height: 10.75 in./273 mm
Width: 15.25 in./387 mm
Length: 24.5 in./622 mm
Item: 322840121



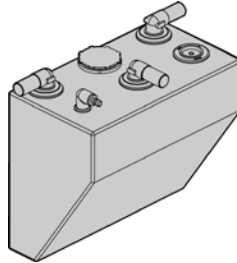
12 HTS-HL

Height: 12.25 in./311 mm
Width: 17.25 in./438 mm
Length: 30 in./762 mm
Item: 322800121



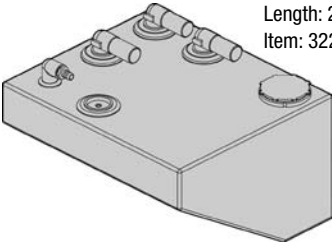
15 HTS-VRT

Height: 21.5 in./546 mm
Width: 12.5 in./318 mm
Length: 22 in./559 mm
Item: 322840152



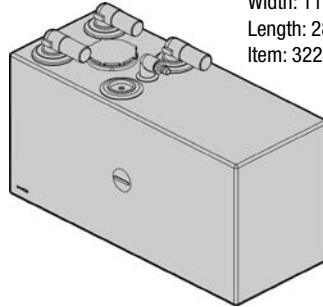
15 HTS-HRZ

Height: 15 in./381 mm
Width: 19 in./483 mm
Length: 22 in./559 mm
Item: 322840151



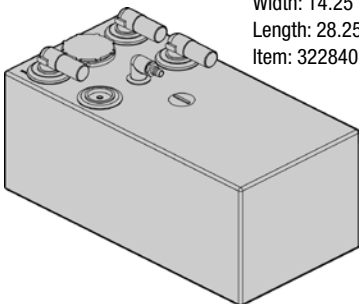
20 HTS-VRT

Height: 16.75 in./425 mm
Width: 11.5 in./292 mm
Length: 28.28 in./718 mm
Item: 322840202



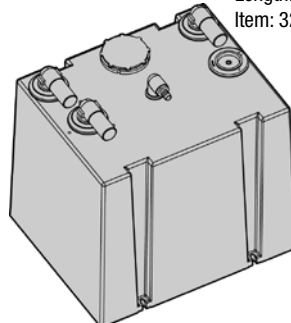
20 HTS-HRZ

Height: 14 in./356 mm
Width: 14.25 in./362 mm
Length: 28.25 in./718 mm
Item: 322840201



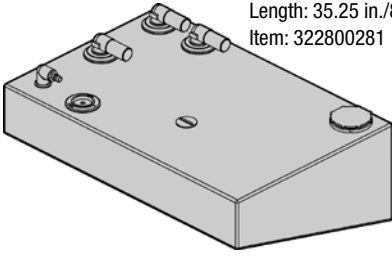
25 HTS-HRZ

Height: 20.5 in./521 mm
Width: 17 in./432 mm
Length: 21 in./533 mm
Item: 322800251

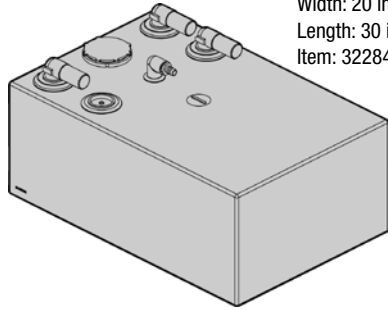


28 HTS-HL

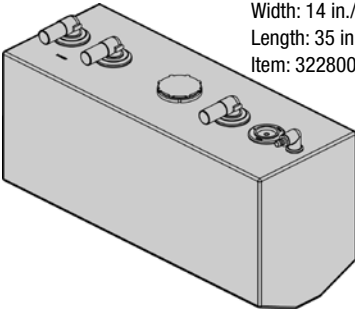
Height: 14.25 in./362 mm
 Width: 23.5 in./597 mm
 Length: 35.25 in./895 mm
 Item: 322800281

**30 HTS-HRZ**

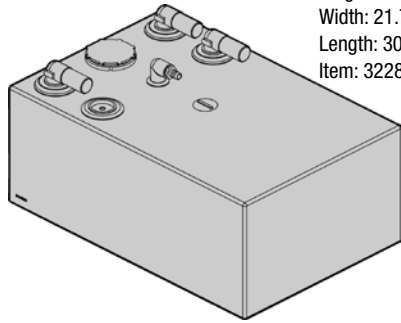
Height: 14.5 in./368 mm
 Width: 20 in./508 mm
 Length: 30 in./762 mm
 Item: 322840301

**35 HTS-HL**

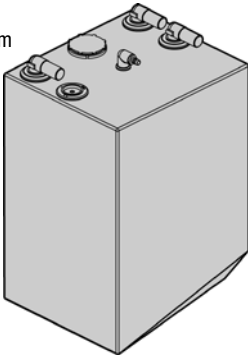
Height: 19.75 in./502 mm
 Width: 14 in./356 mm
 Length: 35 in./889 mm
 Item: 322800351

**40 HTS-HRZ**

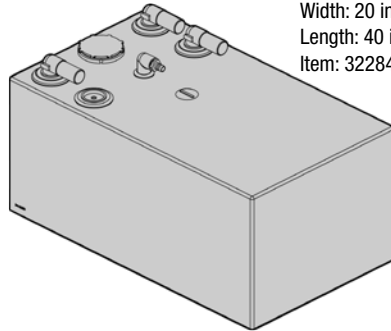
Height: 16 in./406 mm
 Width: 21.75 in./552 mm
 Length: 30 in./762 mm
 Item: 322840401

**50 HTS-VRT-HL**

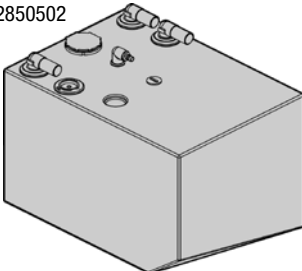
Height: 33.25 in./845 mm
 Width: 19 in./483 mm
 Length: 22 in./559 mm
 Item: 322850501

**55 HTS-HRZ**

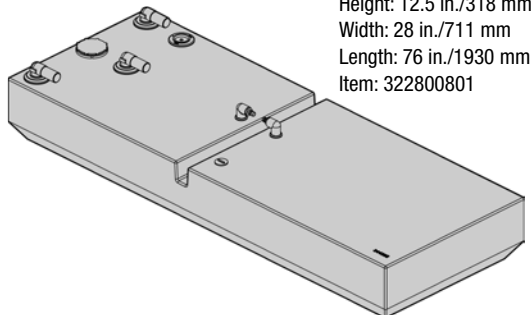
Height: 18.5 in./470 mm
 Width: 20 in./508 mm
 Length: 40 in./1016 mm
 Item: 322840551

**50 HTS-HRZ-HL**

Height: 21.375 in./543 mm
 Width: 22 in./559 mm
 Length: 30.75 in./781 mm
 Item: 322850502

**80 HTS-HRZ**

Height: 12.5 in./318 mm
 Width: 28 in./711 mm
 Length: 76 in./1930 mm
 Item: 322800801



ACCESSORIES

SeaLand OdorSafe® Plus Sanitation Hose

- Best odor barrier of any marine hose available.
- Five-year limited warranty.
- Up to 500% greater resistance to odor permeation than the so-called “no-odor” marine hoses!
- Available in 1-1/2-inch (38 mm) for waste line. Sold in 50 ft. (15.2 m) coils.



Item	Description
306342871	1-1/2 in. (38 mm) ID x 50 ft. (15.2 m) OdorSafe Plus hose

SeaLand MaxFlex Sanitation Hose

- Very flexible, high-quality hose for multiple sanitation system uses.

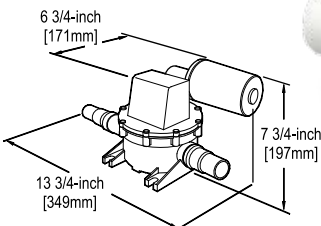


Item	Description
306341116	1-1/2 in. (38 mm) ID x 50 ft. (15.2 m) MaxFlex hose
306341145	1 in. (25 mm) ID x 50 ft. (15.2 m) MaxFlex hose
306341628	3/4 in. (19 mm) ID x 50 ft. (15.2 m) MaxFlex hose
306342590	3/4 in. (19 mm) ID x 100 ft. (30.4 m) MaxFlex hose
306345650	5/8 in. (16 mm) ID x 50 ft. (15.2 m) MaxFlex hose
306345688	5/8 in. (16 mm) ID x 100 ft. (30.4 m) MaxFlex hose

T-Series Discharge Pump

- Runs dry without harm.
- Patented bellows pump can run dry without damage.
- Draws only 6 amps at 12-volt DC.
- Self-priming up to 10 feet (3.3 meters) of water.
- Handles up to 300 gallons (1136 liters) per hour.

Item	Description
317301200	T series discharge pump, 12 VDC
317302400	T series discharge pump, 24 VDC



Seacock Interlock System

- Prevents discharge pump from operating when seacock is closed.
- Waterproof switch is mounted with a 316-grade stainless steel bracket to resist corrosion.
- Optional output signals “Check Seacock” light when seacock is closed.
- Includes switch, mounting bracket and 30-amp control relay. Switch is ignition prevention tested for engine room installation.
- Fits 1-1/2-inch Conbraco flanged seacock valve. Designed to operate with T-series discharge pump.



Item	Description
385310651	Seacock interlock switch and relay for Conbraco 7014701
385310705	Seacock interlock switch and relay for Groco BV1500



SaniGard™ Holding Tank Vent Filter

- Stops odors that escape from the holding tank vent.
- Contains odor-removing filter materials to keep boat smelling clean and pleasant.
- Each cartridge lasts for an entire season and is easily replaced for a fresh start.
- Vent filter includes mounting brackets and hose adapters.

Item	Description
309310002	5/8 in. (16 mm) vent filter, bracket
309310007	3/4 in. (19 mm) vent filter, bracket
309310005	1 in. (25 mm) vent filter, bracket
309310003	1-1/2 in. (38 mm) vent filter, bracket

CERAMIC COLORS

Dometic ceramic marine toilet color options complement a wide range of interior color schemes.



Toilet series	White	Bone	Platinum	Ebony
3000	•	•	•	•
3600	•	•		
4800	•	•		
5000	•	•		
500 Plus	•	•	•	•
700	•	•		
140	•	•		
150	•	•		

Dometic Corporation is a customer-driven, world-leading provider of innovative leisure products for the caravan, motorhome and marine markets. Dometic offers a complete range of air conditioners, refrigerators, awnings, cookers, sanitation systems, lighting, windows, doors and other equipment that makes leisure life more comfortable away from home.

Dometic also provides refrigerators for specific use in hotel rooms, offices and for storage of medical products and wine. Dometic's products are sold in almost 100 countries and are produced mainly in Dometic's own production facilities around the world. Dometic has more than 4,400 employees.

Dometic Sanitation Corporation

13128 State Rt 226

PO Box 38

Big Prairie OH 44611-0038

330-496-3211 • Fax 330-496-3097

SeaLand Product Hotline • 1-800-321-9886

www.DometicSanitation.com

342926 1/08