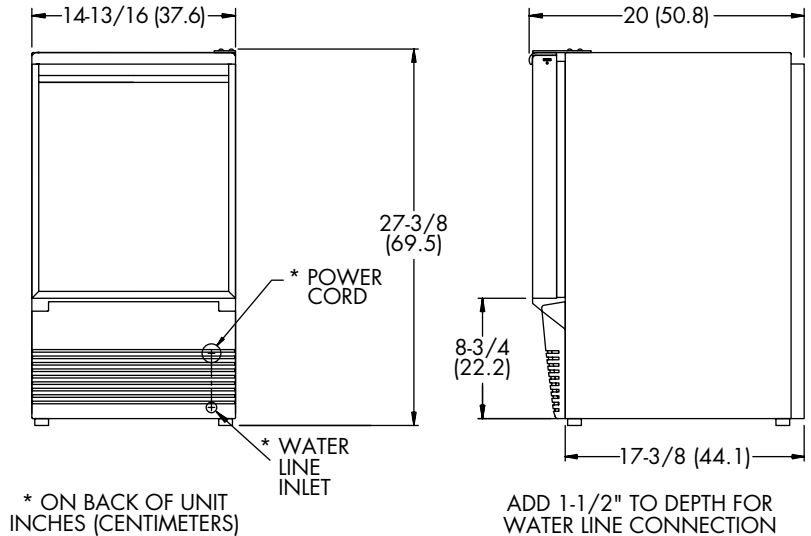
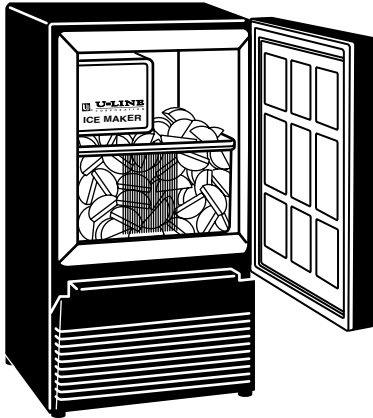


# ICE MAKER

## Model SS-98



## FEATURES

1. **High ice production**
2. **No drain required**
3. **Front vented - can be built-in or free standing**
4. **Conserves water**
5. **Conserves energy**
6. **Field reversible door with zero clearance door swing**
7. **Adjustable temperature control**
8. **Corrosive resistant components**

## BENEFITS

- Produces up to 25 lbs. of ice per day and stores 25 lbs.
- Can be easily installed on aft deck, fly bridge, or built into your galley. Only needs 1/4" outside diameter water line connection.
- No need for extra fans, air space, or special venting to the outside of the cabin. **Do not obstruct front grille.**
- Only 2-3/4 gallons of water required to produce approximately 22 lbs. of ice.
- Uses less electricity than a 75-watt light bulb.
- Flexible installation and easy access.
- Permits adjustment of daily ice rate.
- Hinges and fasteners are stainless steel to resist corrosion.

### ADDITIONAL FEATURES:

- Features stainless steel cabinet and front door panel with black handle, door frame, and grille.
- Travel pin keeps door securely closed.
- See through, removable ice bucket.
- Available in 110/115V 60 cycle or 220/230V 50/60 cycle
- Shipping weight: 79 lbs.
- Will accept flat or raised panel
- Panel size: H 15-15/16" X W 13-15/16"

All specifications subject to change without notice.