



by Dometic GROUP

Replacement Parts Guide



• Product Listing	Pages	3 - 10
• Numeric Item Number List with Retail Prices	Pages	11 - 32
• Parts Lists, Portable Toilet Models 960 to 970	Pages	33 - 34
• Parts Lists, Gravity Toilet Models 110 to 4410	Pages	35 - 52
• Parts Lists, Macerator Toilet Models 8100 to 8900	Pages	53 - 61
• Parts Lists, Rush Flush Toilet Models 9300 to 9400	Pages	62 - 63
• Parts Lists, Vacu Flush Toilet Models 140 to 5149	Pages	64 - 99
• Parts Lists, Vacuum Sources	Pages	100- 110
• Parts Lists, Vacuum Pumps	Pages	111- 112
• Parts Lists, Vacuum Holding Tank Systems	Pages	113- 124
• Parts Lists, Holding Tank Systems	Pages	125- 129
• Parts Lists, Holding Tank Accessories	Pages	130- 132

Dometic Corporation, Sanitation Division



13128 State Route 226
Big Prairie, OH 44611 USA
Phone: 800 321 9886
Fax: 330 496 3097

Retail Prices Effective
January 1, 2013 through December 31, 2013



Notes


Portable Toilets ▼ Dometic

	Model	Description	Item	Product	Page
960 Toilet Series •					
	962	TOILET PRTBL 962-PARCH	301096202	958042515	33
		TOILET PRTBL 962-PLAT	301096206	958042516	
	964	TOILET PRTBL 964-PARCHMENT	311096402	958041347	
		TOILET PRTBL 964-PLATINUM	311096406	958041348	
	964 MSD	TOILET PRTBL 964MSD-PARCHMENT	311196402	958041351	
		TOILET PRTBL 964MSD-PLATINUM	311196406	958041352	
	966	TOILET PRTBL 966-PARCH	301096602	958042517	
		TOILET PRTBL 966-PLAT	301096606	958042518	
	965	TOILET PRTBL 965-PARCHMENT	311096502	958041349	
		TOILET PRTBL 965-PLATINUM	311096506	958041350	
965 MSD	TOILET PRTBL 965MSD-PARCHMENT	311196502	958041353		
	TOILET PRTBL 965MSD-PLATINUM	311196506	958042427		
970 Toilet Series •					
	972	TOILET PRTBL 972 - TAN	301097202	958042373	34
		TOILET PRTBL 972 - GRAY	301097206	958042374	
	974	TOILET PRTBL 974-TAN	301097402	958042272	
		TOILET PRTBL 974-GRAY	301097406	958042273	
	974 MSD	TOILET PRTBL 974MSD-TAN	301197402	958042276	
		TOILET PRTBL 974MSD-GRAY	301197406	958042277	
	976	TOILET PRTBL 976 - TAN	301097602	958042375	
		TOILET PRTBL 976GR 076-3057-8	301097606	958042376	
	975	TOILET PRTBL 975-TAN	301097502	958042274	
		TOILET PRTBL 975-GRAY	301097506	958042275	
975 MSD	TOILET PRTBL 975MSD-TAN	301197502	958042278		
	TOILET PRTBL 975MSD-GRAY	301197506	958042279		
Gravity Toilets ▼ SeaLand					
100 Toilet Series •					
	110	TRAVELER LITE 110 - WHITE(NP)	302611001	958041176	35
		TRAVELER LITE 110 - BONE(NP)	302611003	958041177	
	111	TRAVELER LITE 111 - WHITE	302611101	958041180	36
		TRAVELER LITE 111 - BONE	302611103	958041181	
200 Toilet Series •					
	210	TRAVELER LITE 210-WHITE	302621001	958041184	37
		TRAVELER LITE 210-BONE	302621003	958041185	
300 Toilet Series •					
	300	300-SS /RT/WHITE	302300071	958043195	38
		300-SS /RT/BONE	302300073	958043196	
310 Toilet Series •					
	310	310-SS /RT/WHITE	302310071	958043061	39
		310-SS /RT/BONE	302310073	958043062	
320 Toilet Series •					
	320	320-WS /RT/WHITE	302320081	958043150	40
		320-WS /RT/BONE	302320083	958043151	


Gravity Toilets ▼ SeaLand

	Model	Description	Item	Product	Page
500 Toilet Series •					
	510H	510H-WS /RT/WHITE	302510481	958043085	41
		510H-WS /RT/BONE	302510483	958043086	
	510+	TRAVELER 510+- WHITE	302651001	958041195	42
		TRAVELER 510+- BONE	302651003	958041196	
	510+PS	510+PS-WS /SP/WHITE	302510221	958042852	43
		510+PS-WS /SP/BONE	302510223	958042853	
511H	TRAVELER 511H- WHITE	302651101	958041203	44	
	TRAVELER 511H- BONE	302651103	958041204		
700 Toilet Series •					
	711-M28	TRAVELER M28-711-WHITE	312371101	958042130	45
		TRAVELER M28-711-BONE	312371103	958042468	
2000 Toilet Series • <i>Obsolete</i>					
	2010	TRAVELER 210 - WHITE	302421001	958041120	46
		TRAVELER 210 - BONE	302421003	958041121	
	2011	TRAVELER 211 - WHITE	302421101	958041125	47
		TRAVELER 211 - BONE	302421103	958041126	
3000 Toilet Series • <i>Obsolete</i>					
	3110	MAGNUM OPUS 3110 - WHITE	302311011		48
		MAGNUM OPUS 3110 - BONE	302311013	958041062	
	3210	CONCERTO 3210 - WHITE	302132061	958041030	49
		CONCERTO 3210 - BONE	302132063	958041031	
	3310	CONCERTO 3310 FL - WHITE	302133061	958041038	50
		CONCERTO 3310 FL - BONE	302133063	958041039	
4300/4400 Toilet Series •					
	4310	4310-GT/12/WS/-/SP/WHT/CHR	302431111	958043019	51
		4310-GT/12/WS/-/SP/BONE/CHR	302431131	958043020	
	4410	4410-GT/12/WS/-/SP/WHT	302441110	958043007	52
		4410-GT/12/WS/-/SP/BONE	302441130	958043008	
Macerator Toilets ▼ MasterFlush					
8100 Toilet Series •					
	8112	8112-WS/S-/15T-/12/SW/--/SP/WH	304811201	958042913	53
	8116	8116-WS/S-/15T-/24/SW/--/SP/WH	304811601	958042914	
	8152	8152-WS/T-/15T-/12/SW/--/SP/WH	304815201	958042915	
	8156	8156-WS/T-/15T-/24/SW/--/SP/WH	304815601	958042916	
8600 Toilet Series • (same as 8900 toilet series but with a flat-back style)					
	8639	8639-SC/S-/15TA/12/SW/--/SP/WH	304863901	958043068	54
		8639-SC/S-/15TA/12/SW/--/SP/BN	304863902	958043069	
	8630	8630-SC/S-/15TA/24/SW/--/SP/WH	304863001	958043066	54
		8630-SC/S-/15TA/24/SW/--/SP/BN	304863002	958043067	
	8679	8679-SC/T-/15TA/12/SW/--/SP/WH	304867901	958043072	55
		8679-SC/T-/15TA/12/SW/--/SP/BN	304867902	958043073	
8670	8670-SC/T-/15TA/24/SW/--/SP/WH	304867001	958043070	55	
	8670-SC/T-/15TA/24/SW/--/SP/BN	304867002	958043071		


Macerator Toilets ▼ MasterFlush

	Model	Description	Item	Product	Page
8700 Toilet Series •					
	8759	8759-WS/T-/15TA/12/SW/--/SP/WH	304875901	958042980	56
		8759-WS/T-/15TA/12/SW/--/SP/BN	304875902	958042972	
	8750	8750-WS/T-/15TA/24/SW/--/SP/WH	304875001	958042979	
		8750-WS/T-/15TA/24/SW/--/SP/BN	304875002	958042974	
	8759	8759-WS/T-/15TA/12/FH/CH/SP/WH	304875971	958042981	57
		8759-WS/T-/15TA/12/FH/CH/SP/BN	304875972	958042971	
8750		8750-WS/T-/15TA/24/FH/CH/SP/WH	304875071	958042986	
	8750-WS/T-/15TA/24/FH/CH/SP/BN	304875072	958042975		


8900 Toilet Series • (angle-back style)

	8939	8939-SC/S-/15TA/12/SW/--/SP/WH	304893901	958042963	58
		8939-SC/S-/15TA/12/SW/--/SP/BN	304893902	958042965	
	8930	8930-SC/S-/15TA/24/SW/--/SP/WH	304893001	958042964	
		8930-SC/S-/15TA/24/SW/--/SP/BN	304893002	958042966	
	8979	8979-SC/T-/15TA/12/SW/--/SP/WH	304897901	958042967	59
		8979-SC/T-/15TA/12/SW/--/SP/BN	304897902	958042969	
8970	8970-SC/T-/15TA/24/SW/--/SP/WH	304897001	958042968		
	8970-SC/T-/15TA/24/SW/--/SP/BN	304897002	958042970		

8600 Toilet and Bidet Series •

	8649	8649-SC/SC/15TA/12/SW/--/SP/WH	304864901	958043123	60
	8640	8640-SC/SC/15TA/24/SW/--/SP/WH	304864001	958043121	
	8689	8689-SC/TC/15TA/12/SW/--/SP/WH	304868901	958043119	
	8680	8680-SC/TC/15TA/24/SW/--/SP/WH	304868001	958043117	

8900 Toilet and Bidet Series •

	8949	8949-SC/SC/15TA/12/SW/--/SP/WH	304894901	958042999	61
	8940	8940-SC/SC/15TA/24/SW/--/SP/WH	304894001	958043000	
	8989	8989-SC/TC/15TA/12/SW/--/SP/WH	304898901	958043005	
	8980	8980-SC/TC/15TA/24/SW/--/SP/WH	304898001	958043003	


Toilets ▼ RushFlush

9300 and 9400 Toilet Series •




	9300	9300-FH/T-/AF/12/WS/SP/WH/CHR	330933111	958043215	62
		9300-FH/T-/AF/12/WS/SP/BN/CHR	330933131	958043218	
	9400	9400-FS/T-/AF/12/WS/SP/WH/TPC	330943110	958043231	63
		9400-FS/T-/AF/12/WS/SP/BN/TPC	330943130	958043232	

Vacuum Systems ▼ VacuFlush Toilets

100 Toilet Series • 157 & 158 are Obsolete

	146	146-TL/TFEV/SPK-WHITE	317014601	958042976	64	
		146-TL/TFEV/SPK-BONE	317014603	958042977		
	147	ECOVAC 147 WHT	317014701	958041396		
		ECOVAC 147 BONE	317014703	958041397		
	148	ECOVAC 148 WHT	317014801	958041398		
		ECOVAC 148 BONE	317014803	958041399		
	149	ECOVAC 149-WHITE	317014901	958041400		
		ECOVAC 149-BONE	317014903	958041401		
	157	ECOVAC 157-WHITE	317015701	958042290		65
		ECOVAC 157-BONE	317015703	958042291		
	158	ECOVAC 158-WHITE	317015801	958042292		
		ECOVAC 158-BONE	317015803	958042293		
168	ECOVAC 168-WHITE	317016801	958041402	66		

Vacuum Systems ▼ VacuFlush Toilets

	Model	Description	Item	Product	Page	
500 Toilet Series •						
	506	VACUFLUSH 506+ WHT	317850601	958041637	67	
		VACUFLUSH 506+ BONE	317850603	958041638		
		VACUFLUSH 506+ PLT	317850606	958041639		
		VACUFLUSH 506+ EBYP	317850608	958041640		
	508	VACUFLUSH 508+ WHT	317850801	958041642	68	
		VACUFLUSH 508+ BONE	317850803	958041643		
	509	VACUFLUSH 509+ WHT	317450901	958041510	69	
		VACUFLUSH 509+ BONE	317450903	958041511		
	547	VACUFLUSH 547+ WHITE	317854701	958041649	70	
		VACUFLUSH 547+ BONE	317854703	958041650		
VACUFLUSH 547+ PLT		317854706	958041651			
VACUFLUSH 547+ EBYP		317854708	958041652			
548	VACUFLUSH 548+ WHT	317854801	958041654	71		
	VACUFLUSH 548+ BONE	317854803	958041655			
	VACUFLUSH 548+ PLT	317854806	958041656			
	VACUFLUSH 548+ EBYP	317854808	958041657			
600 Toilet Series •						
	606	VACUFLUSH 606 - WHITE	317060601	958041405	72	
		VACUFLUSH 606 - BONE	317060603	958041406		
700 Toilet Series •						
	706	VACUFLUSH 706 WHT	317470601	958041521	73	
		VACUFLUSH 706 BONE	317470603	958041522		
	709	VACUFLUSH 709-WHITE	317470901	958041523	74	
		VACUFLUSH 709-BONE	317470903	958041524		
	748	VACUFLUSH 748-WHITE	317074801	958041411	75	
		VACUFLUSH 748-BONE ^	317074803	958041412		
749	VACUFLUSH 749 WHT	317074901	958041413			
800 Toilet Series • <i>Obsolete</i>						
	806	VACUFLUSH 806 WHITE	317480601	958041525	76	
		VACUFLUSH 806 BONE	317480601	958041525		
	808	VACUFLUSH 808 WHITE	317480801	958041527	77	
		VACUFLUSH 808 BONE	317480803	958041528		
	847	VACUFLUSH 847 WHITE	317484701	958041529		
		VACUFLUSH 847 BONE	317484703	958041530		
848	VACUFLUSH 848 WHITE	317484801	958041531			
	VACUFLUSH 848 BONE	317484803	958041532			
1000 Toilet Series • <i>Obsolete</i>						
	1006	VACUFLUSH 1006 WHITE	317100601	958041414	78	
		VACUFLUSH 1006 BONE	317100603	958041415		
	1008	VACUFLUSH 1008 WHITE	317100801	958041419		
		VACUFLUSH 1008 BONE	317100803	958041420		
	1048	VACUFLUSH 1048 WHITE	317104801	958041425		
		VACUFLUSH 1048 BONE	317104803	958041426		
	1106	VACUFLUSH 1106 WHITE	317110601	958041431		79
		VACUFLUSH 1106 BONE	317110603	958041432		
1148	VACUFLUSH 1148 WHITE	317114801	958041435	80		
	VACUFLUSH 1148 BONE	317114803	958041436			


Vacuum Systems ▼ VacuFlush Toilets

	Model	Description	Item	Product	Page
3000 Toilet Series • MAGNUM OPUS • <i>Obsolete</i>					
	3048	MAGNUM OPUS 3048 WHITE	317234801	958041468	81
		MAGNUM OPUS 3048 BONE	317234803	958041469	
3600 Toilet Series • <i>Obsolete</i>					
	3606	VACUFLUSH 3606 WHITE	317236061	958042052	82
	3609	VACUFLUSH 3609 WHITE	317236091	958041471	83
	3648	VACUFLUSH 3648 WHITE	317236481	958041473	84
4600 Toilet Series •					
	4606	4606-TF/SC/SP/S /--/12/--/WHT	317463131	958043129	85
		4606-TF/SC/SP/S /--/24/--/WHT	317463141	958043131	
		4606-TF/SC/SP/S /--/12/--/BONE	317463133	958043130	
		4606-TF/SC/SP/S /--/24/--/BONE	317463143	958043132	
	4609	4609-TF/SC/SP/T /--/12/--/WHT	317463231	958043133	86
		4609-TF/SC/SP/T /--/24/--/WHT	317463241	958043135	
		4609-TF/SC/SP/T /--/12/--/BONE	317463233	958043134	
		4609-TF/SC/SP/T /--/24/--/BONE	317463243	958043136	
	4648	4648-RO/SC/SP/T /--/12/--/WHT	317466231	958043137	87
		4648-RO/SC/SP/T /--/24/--/WHT	317466241	958043139	
		4648-RO/SC/SP/T /--/12/--/BONE	317466233	958043138	
		4648-RO/SC/SP/T /--/24/--/BONE	317466243	958043140	
4700 VacuFlush Toilet Series •					
	4709	4709-TF/WS/SP/T /FH/12/CH/WHT	317472251	958043048	88
		4709-TF/WS/SP/T /FH/24/CH/WHT	317472281	958043050	
		4709-TF/WS/SP/T /FH/12/CH/BONE	317472253	958043049	
		4709-TF/WS/SP/T /FH/24/CH/BONE	317472283	958043051	
		4709-TF/WS/SP/T /--/12/--/WHT	317472231	958043043	
		4709-TF/WS/SP/T /--/24/--/WHT	317472241	958043045	
		4709-TF/WS/SP/T /--/12/--/BONE	317472233	958043044	
		4709-TF/WS/SP/T /--/24/--/BONE	317472243	958043046	
	4748	4748-RO/WS/SP/T /FH/12/CH/WHT	317475251	958043056	89
		4748-RO/WS/SP/T /FH/24/CH/WHT	317475281	958043058	
		4748-RO/WS/SP/T /FH/12/CH/BONE	317475253	958043057	
		4748-RO/WS/SP/T /FH/24/CH/BONE	317475283	958043059	
		4748-RO/WS/SP/T /--/12/--/WHT	317475231	958043052	
		4748-RO/WS/SP/T /--/24/--/WHT	317475241	958043054	
4800 VacuFlush Toilet Series • (angle-back style)					
	4806	VACUFLUSH 4806-12/WHITE	317148061	958042257	90
		VACUFLUSH 4806-24/WHITE	317248061	958042263	
		VACUFLUSH 4806-12/BONE	317148063	958042258	
		VACUFLUSH 4806-24/BONE	317248063	958042264	
	4809	VACUFLUSH 4809-12/WHITE	317148091	958042259	91
		VACUFLUSH 4809-24/WHITE	317248091	958042265	
		VACUFLUSH 4809-12/BONE	317148093	958042260	
		VACUFLUSH 4809-24/BONE	317248093	958042266	
	4848	VACUFLUSH 4848-12/WHITE	317148481	958042261	92
		VACUFLUSH 4848-24/WHITE	317248481	958042267	
		VACUFLUSH 4848-12/BONE	317148483	958042262	
		VACUFLUSH 4848-24/BONE	317248483	958042422	

Vacuum Systems ▼ VacuFlush Toilets

	Model	Description	Item	Product	Page	
4800 Toilet and Bidet Series •						
	4826	4826-TF/SC/SP/SC/--/12/--/WHT	317483331	958042992	93	
		4826-TF/SC/SP/SC/--/24/--/WHT	317483341	958042993		
	4828	4828-RO/SC/SP/TC/--/12/--/WHT	317483431	958042991	94	
		4828-RO/SC/SP/TC/--/24/--/WHT	317483441	958043065		
	4829	4829-TF/SC/SP/TC/--/12/--/WHT	317486431	958042994	95	
		4829-TF/SC/SP/TC/--/24/--/WHT	317486441	958042995		
5000 Toilet Series •						
	5006	VACUFLUSH 5006-WHITE	317500601	958041534	96	
		VACUFLUSH 5006-BONE	317500603	958041535		
	5009	VACUFLUSH 5009-WHITE	317500901	958041536	97	
		VACUFLUSH 5009-BONE	317500903	958041537		
	5047	VACUFLUSH 5047-WHITE	317504701	958041540	98	
		VACUFLUSH 5047-BONE	317504703	958041541		
	5048	VACUFLUSH 5048-WHITE	317504801	958041542	98	
		VACUFLUSH 5048-BONE	317504803	958041543		
	5049	VACUFLUSH 5049-WHITE	317504901	958041544	99	
		VACUFLUSH 5049-BONE	317504903	958041545		
	5147	VACUFLUSH 5147-WHITE	317514701	958041548	99	
		VACUFLUSH 5147-BONE	317514703	958041549		
	5148	VACUFLUSH 5148-WHITE	317514801	958041550	99	
		VACUFLUSH 5148-BONE	317514803	958041551		
	5149	VACUFLUSH 5149-WHITE	317514901	958041552	99	
		VACUFLUSH 5149-BONE	317514903	958041553		
	Vacuum Systems ▼ Vacuum Sources					
	CVT • Cassette Vacuum Tank • <i>Obsolete</i>					
	CVT2510	CASSETTE VACUUM TANK 2510	326002510	958041879	100	
	CVT2520	CASSETTE VACUUM TANK 2520	326002520	958042057	101	
	CVT2521	CASSETTE VACUUM TANK 2521	326002521	958042060		
Vacuum Holding Tank •						
	VHT12	VHT 12 FULL RELAY	317769012	958041611	102	
		VHT 3/4 FULL RELAY	317769212	958041613	103	
VHT4500 • (used in combination with 140 series toilets)						
	VHT4501	VT4501-STRAIGHT DIS'G	317704501	958042296	104	
	VHT4502	VT4502-ELBOW DIS'G	317704502	958042297		
	VHT4511	VT4511-T12/SWIVEL DIS'G	317704511	958042434	105	
SailVac 5200 •						
	VHT5200	VHT 5200 - 3/4-FULL-RELAY	317705200	958043116	106	
Vacuum Generator • <i>VG Obsolete</i>						
	VG	VG12	317759012	958041593	107	
		VG24	317759024	958041594		
	VGLP	VGLP12	317770012	958041616	108	
		VGLP/W24	317770024	958041617		
	VG4	VG4/JW12-STANDARD	317780012	958042061	109	
		VG4/JW24-STANDARD	317780024	958042062		
Vacuum Tank •						
	VT	ACCUMULATOR TANK	317729100	958041568	110	


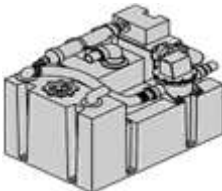

Vacuum Systems ▼ Vacuum Sources

	Model	Description	Item	Product	Page
Vacuum Pump •					
	S12	PUMP SW12	317201200	958041458	111
	S24	PUMP SW24	317202400	958041460	
	M115	PUMP M115/230 1/2H 30:1 TEFC60	317511500	958041546	112
	M12	PUMP M12-1/2HP 30:1	317501200	958041538	
	M24	PUMP M24-1/2HP 30:1	317502400	958041539	




Vacuum Systems ▼ VacuFlush HTS Series
HTS-VG Models •

	10HTS-VG	HTS 10 LPVG12/DTM04	322711012	958042133	113
		HTS 10-LPVG24/DTM04	322101024	958041741	
	18HTS-VG	HTS 18 VG412/DTM04	322711812	958042180	114
		HTS 18-VG4J24/DTM04	322011824	958041716	
	21HTS-VG	HTS 21-VG4JW12/T12/DTM04	322702112	958042087	115
		HTS 21-VG4J24/T24/DTM04	322702124	958042089	
	27HTS-VG	HTS 27 LPVG12/T12/DTM04	322712712	958042909	116
		HTS 27 LPVG24/T24/DTM04	322712724	958042910	
	28HTS-VG	HTS 28+ VG12/T/DTM04	322712812	958041841	117
		HTS 28+ VG24/T/DTM04	322712824	958041842	
	28HTS-VG HULL	HTS 28 HULL-LPVG12/T/DTM04	322722812	958042058	118
		HTS 28 HULL-LPVG24/T/DTM04	322722824	958042076	
	35HTS-VG	HTS 35-LPVG12/T/DTM04	322713512	958042439	119
		HTS 35/LPVG24/T24/DTM04	322013524	958041723	
	39HTS-VG	HTS 39-VG4JW12/T12/DTM04	322703912	958042469	120
		HTS 39-VG4J24/T/DTM04	322703924	958042470	
	40HTS-VG	HTS 40 VG412/T/DTM04	322714012	958042095	121
		HTS 40 VG4J24/T/DTM04	322714024	958042361	
	42HTS-VG	HTS 42-VG4/T12/DTM04	322714212	958042485	122
		HTS 42-VG4/T24/DTM04	322014224	958041730	
	55HTS-VG	HTS 55-VGLP12/T/DTM04	322715512	958042083	123
		HTS 55-VGLP24/T/DTM04	322715524	958042084	
	80HTS-VG	HTS 80-LPVG12/T/DTM04	322718012	958042479	124
		HTS 80-LPVG24/T/DTM04	322718024	958042480	

Holding Tank Systems ▼ SeaLand
HTS-T Models •

	10HTS-T	HTS 10 HULL-T12/DTM04	322721012	958041843	125
		HTS 10 HULL-T24/DTM04	322721024	958042085	
	28HTS-T	HTS 28	322002800	958041703	126
		HTS 28 DTM04 PANEL	322012800	958041717	
		HTS 28 T12	322002812	958041704	
		HTS 28 DTM04/T12	322012812	958041718	
		HTS 28-DTM04/T24	322012824	958041719	
	40HTS-T	HTS 40	322004000	958041708	127
		HTS 40 T12	322004012	958041709	
		HTS 40 TW24	322004024	958041710	
		HTS 40-DTM04 PANEL	322014000	958041724	
		HTS 40-DTM04/12VDC	322014012	958041725	
HTS 40-DTM04/24VDC	322014024	958041726			

Holding Tank Systems ▼ SeaLand

	Model	Description	Item	Product	Page
DHT-L Models •					
	DHT42L	HD TANK-EU 42L/11G W/CAP	322601101	958042659	128
	DHT61L	HD TANK-EU 61L/16G W/CAP	322601601	958042660	
	DHT88L	HD TANK-EU 88L/23G W/CAP	322602301	958042661	
	DHT110L	HD TANK-EU 110L/29G W/CAP	322602901	958042662	
	DHT137L	HD TANK-EU 137L/36G W/CAP	322603601	958042663	
HTS Basic Models •					
	12HTS-VRT	HD TANK 12 VRT-BASIC	322840122	958041846	129
	12HTS-HRZ	HD TANK 12 HRZ-BASIC	322840121	958041845	
	12HTS-HL	HD TANK 12G HULL-BASIC	322800121	958042078	
	15HTS-VRT	HD TANK 15 VRT-BASIC	322840152	958041848	
	15HTS-HRZ	HD TANK 15 HRZ-BASIC	322840151	958041847	
	20HTS-VRT	HD TANK 20 VRT-BASIC	322840202	958041850	
	20HTS-HRZ	HD TANK 20 HRZ-BASIC	322840201	958041849	
	25HTS-HRZ	HD TANK 25 HRZ-BASIC	322800251	958041844	
	28HTS-HL	HD TANK 28 HULL-BASIC	322800281	958042075	
	30HTS-HRZ	HD TANK 30 HRZ-BASIC	322840301	958041851	
	35HTS-HL	HD TANK 35 HULL-BASIC	322800351	958042079	
	40HTS-HRZ	HD TANK 40 HRZ-BASIC	322840401	958041852	
	50HTS-VRT-HL	HD TANK 50 VRT HULL-BASIC	322850501	958042080	
	50HTS-HRZ-HL	HD TANK 50 HRZ HULL-BASIC	322850502	958042081	
	55HTS-HRZ	HD TANK 55 HRZ-BASIC	322840551	958041853	
80HTS-HRZ	HD TANK 80 HULL-BASIC	322800801	958042099		
Holding Tank System ▼ Accessories					
Dometic Tank Monitor •					
	DTM04	DTM04 W/VENT	313604001	958042535	130
		DTM04 W/O VENT	313604002	958042536	
	DTM08	DTM08 WHT W/VENT-OEM	360608011	958042551	
		DTM08 WHT W/O VENT-OEM	360608012	958042552	
	DTM12	DTM12 BLK W/VENTS-OEM	360612001	958042555	
		DTM12 BLK W/O VENTS-OEM	360612002	958042556	
Holding Tank System ▼ Accessories					
Pump, Discharge •					
	T12	PUMP TW12	317301200	958041475	131
	T24	PUMP TW24	317302400	958041476	
SaniSump •					
		SANI SUMP-12 1-1/2" IN	314115012		132
		SANI SUMP-24 1-1/2" IN	314115024		

ITEM	DESCRIPTION	UPC	WGT	LEN	WID	HGT
385018005	TW CAP/FRESH WATER-CHAP 326SSI	713814077051	1	24	5	5
385022001	KIT, ASM WYE W/SHUTOFF VALVES	713814068059	3	18	12	12
385022002	KIT, WIRE HARNESS 2-HEAD SYST	713814068066	8	9	5.5	5.5
385230044	KIT, CHECK VALVE-NITRILE	87735102902	0.05	1	1	1
385230082	KIT, MALE VALVE-INLINE CHECK	87735102926	1	2	2	2
385230187	OBSOLETE, SUBSTITUTE 385239064	87735102971	1	12	6	3
385230192	KIT, 5/8" HOSE INLET ADAPTER	87735102988	0.05	12	0.63	0.63
385230193	KIT, 1/2" HOSE INLET ADAPTER	87735102995	0.05	12	0.5	0.5
385230268	KIT, FLOAT/STEM (THREADED)	87735103053	0.05	2	2	2
385230278	KIT, VERTICAL FLOAT SWITCH	87735106115	0.05	2	2	2
385230319	KIT, BRACKET-HAND SPRAY	87735106146	1	2	2	2
385230325	KIT, HAND SPRAY VB w/EX'TN	87735106139	0.15	7	5	2
385230335	KIT, HAND SPRAY VB	87735106368	0.15	7	5	2
385230353	KIT, MOTOR/SOLENOID-12VDC	87735103114	1	6	6	6
385230354	KIT, MOTOR/SOLENOID-24VDC	87735103121	1	6	6	6
385230356	KIT, MOTOR/SOLENOID-115VAC	87735103145	1	6	6	6
385230374	KIT, 960 FRESH WATER TANK-PARC	87735103169	5	16.5	16.5	6
385230375	KIT, 960 FRESH WATER TANK-PLAT	87735103176	5	16.5	16.5	6
385230376	KIT, 964MSD HOLDING TANK-PARCH	87735103183	5	16.5	16.5	6
385230377	KIT, 964MSD HOLDING TANK-PLAT	87735103190	5	16.5	16.5	6
385230378	KIT, 965MSD HOLDING TANK-PARCH	87735103206	5	16.5	16.5	8
385230379	KIT, 965MSD HOLDING TANK-PLAT	87735103213	5	16.5	16.5	8
385230394	KIT, DRAIN PLUG/O'RING-BONE	87735103220	0.05	1	1	1
385230647	KIT, UNIVERSAL FLANGE SCREWS	87735103244	1	0	0	0
385230672	KIT, TRAVELER HAND LEVER	87735106344	1.2	12	4	4
385230930	KIT, FLEX PROBE-22"	87735106160	0.15	3	3	22
385230931	OBSOLETE, SUBSTITUTE 385311521	87735103404	2	16.5	16.5	4
385230933	OBSOLETE, SUBSTITUTE 385311520	87735103428	2	16.5	16.5	4
385230980	KIT, BELLOWS-S/T PUMP	87735106122	0.6	5	5	12
385230983	KIT, WATER VALVE (BULK/50)	87735119238	12	1	1	1
385230984	OBSOLETE, SUBSTITUTE 385311407	87735119252	13	1	1	1
385230985	KIT, BALL/SHAFT/CART(BULK/25)	87735119269	13.35	15	12	10
385236096	KIT, SPRING CARTRIDGE	87735103565	0.2	2	2	2
385239064	KIT, SLIDE VALVE-WHITE	87735103572	0.7	12	4	5
385250020	KIT, 4010 TANK CAP/O'RING	87735103589	2	5	5	2
385250022	KIT, 4000 TANK CAP/O'RING	87735103596	2	5	5	2
385304001	DISPLAY, MACERATOR W/PWR SPLY		24	0	0	0
385304002	DISPLAY, MACERATOR W/OPWR SPLY		19	0	0	0
385310008	KIT, MACERATOR BLADE/SCREW	87735103619	1	1	1	1
385310017	KIT, VACUUM TANK-REPLACEMENT	87735103657	7	12	12	24
385310018	KIT, HOLDDOWN BRKT-964/944	87735102537	0.3	2	2	3
385310025	KIT, HALF CLAMP-WHITE	87735103664	0.6	12	12	2
385310031	KIT, CAP/SEAL-PLAT.	87735103671	1	2	2	2
385310033	OBSOLETE, SUBSTITUTE 385311080	87735103695	30	24	24	12
385310039	OBSOLETE, SUBSTITUTE 385310104	87735103718	1	5	5	9
385310048	KIT, HALF CLAMP-BONE	87735103756	1	12	12	3
385310050	KIT, CAP/SEAL-PARCH	87735103763	0.1	3	3	3
385310063	KIT, FLOOR FLANGE SEAL	87735103794	0.25	8	11	0
385310064	KIT, MOUNT-TRAVELER-506/806	87735102841	0.15	2	2	2
385310066	KIT, SANIPOTTIE LATCH-WHITE	87735103800	0.4	5	5	2
385310067	KIT, SANIPOTTIE LATCH-PARCH	87735103817	0.4	5	5	2
385310076	KIT, DB VALVE 1-1/2"-BLACK (2)	87735102520	0.01	7	5	0
385310080	OBSOLETE, SUBSTITUTE 385310739	87735103855	34	0	0	0
385310081	OBSOLETE, SUBSTITUTE 385310740	87735103862	34	24	24	12
385310084	KIT, 28C TANK-BONE	87735103886	20	20	20	12
385310096	KIT, INSTALLATION-340 TW	87735103930	1	0	0	0
385310102	KIT, FR WATER TANK CAP-PARCH	87735103978	0.05	2	2	2
385310103	KIT, FR WATER TANK CAP-PLAT	87735103985	0.05	2	2	2
385310104	KIT, 960 BELLOWS-PARCHMENT	87735103992	0.4	6	6	12
385310105	KIT, 960 BELLOWS-PLATINUM	87735104005	0.4	6	6	12
385310108	KIT, SHORT BASE COVER-WHITE	87735104036	0.85	8	8	12

ITEM	DESCRIPTION	UPC	WGT	LEN	WID	HGT
385310109	KIT, SHORT BASE COVER-BONE	87735104043	2	8	8	12
385310110	KIT, SHORT BASE COVER-PLAT	87735104050	2	8	8	12
385310111	KIT, TALL BASE COVER-WHITE	87735102810	2	8	8	12
385310112	KIT, TALL BASE COVER-BONE	87735104067	2	8	8	12
385310113	KIT, TALL BASE COVER-PLAT	87735104074	2	8	8	12
385310114	KIT, TALL PEDAL COVER WHT	87735104081	0.65	8	8	12
385310115	KIT, TALL PEDAL COVER-BONE	87735104098	0.55	8	8	12
385310116	KIT, TALL PEDAL COVER-PLAT	87735104104	2	8	8	12
385310117	KIT, SHORT PEDAL COVER-WHT	87735104111	0.5	8	8	8
385310118	KIT, SHORT PEDAL COVER-BONE	87735104128	0.45	8	8	8
385310119	KIT, SHORT PEDAL COVER-PLAT	87735104135	2	8	8	8
385310120	KIT, 510/910/2010 BASE-WHITE	87735104142	5.5	8	8	12
385310121	KIT, 510/910/2010 BASE-BONE	87735104159	5.5	8	8	12
385310122	KIT, 510/910 BASE-PLAT	87735104166	5.5	8	8	12
385310123	KIT, 511/911/2011 BASE-WHITE	87735104173	5	8	8	8
385310124	KIT, 511/911/2011 BASE-BONE	87735104180	5	8	8	8
385310125	KIT, 511/911 BASE-PLAT	87735104197	5	8	8	8
385310126	KIT,08 BASE-WHITE	87735104203	6.4	8	8	12
385310127	KIT,08 BASE-BONE	87735104210	6.4	8	8	12
385310128	KIT, 508/808 BASE-PLAT	87735104227	6.5	8	8	12
385310129	KIT, 548/848/1048 BASE-WHITE	87735104234	6.5	8	8	12
385310130	KIT, 548/848/1048 BASE-BONE	87735104241	6.5	8	8	12
385310131	KIT, 548/848 BASE-PLAT	87735104258	6.5	8	8	12
385310132	KIT, 506/806/1006/706 BASE-WHT	87735104265	6	8	8	8
385310133	KIT, 506/806/1006/706BASE-BONE	87735104272	6.15	8	8	8
385310134	KIT, BASE 506/806-PLAT	87735104289	8	8	8	8
385310135	KIT, FILTER INSTALLATION	87735104296	1	3	3	12
385310136	KIT, '48 BASE COVER WHITE	87735104302	2	8	8	12
385310137	KIT, '48 BASE COVER-BONE	87735104319	2	8	8	12
385310138	KIT, '48 BASE COVER-PLATINUM	87735104326	2	8	8	12
385310139	KIT, UNIVERSAL MT FLANGE-WHT	87735102612	0.6	5	5	3
385310140	KIT, UNIVERSAL MT FLANGE-BONE	87735102629	0.6	5	5	3
385310141	OBSOLETE, SUBSTITUTE 385310139	87735102636	0.6	5	5	3
385310151	KIT, O'RING-S/T PUMP	87735104401	0.01	6	6	0.5
385310169	KIT, 510/2010 BASE-EBONY	87735104456	9	8	8	12
385310171	KIT, 508/1008 BASE-EBONY	87735104470	9	8	8	12
385310172	KIT, 548/1048 BASE-EBONY	87735104487	9	8	8	12
385310173	KIT, TALL BASE COVER-EBONY	87735104494	2	8	8	8
385310174	KIT, 548/1048 COVER-EBONY	87735102827	2	8	8	8
385310175	KIT, TALL PEDAL COVER -EBONY	87735104500	0.6	8	8	8
385310176	KIT,BOWL-500 EBONY	87735104517	34	24	24	12
385310177	KIT, BALL/SHAFT/CART-EBONY	87735104524	0.3	8	3	10
385310203	OBSOLETE, SUBSTITUTE 385310111	87735104784	2	8	8	8
385310228	KIT, VACUFLUSH MAINTENANCE	87735105019	2.2	14	10	6.5
385310232	OBSOLETE, SUBSTITUTE 385311423	87735105033	7	8	6	6
385310233	OBSOLETE, SUBSTITUTE 385311424	87735105040	7	8	6	6
385310235	KIT, PUMPOUT/VENT ADAPTERS	87735105064	1	2	2	2
385310236	KIT, PUMPOUT/VENT CAPS	87735105071	0.1	2	2	2
385310239	KIT, HOLD DOWN BRACKETS-LONG	87735105101	0.4	2	2	3
385310242	KIT, S/T PUMP BUSHING	87735105132	1	1	1	1
385310243	KIT, 4015 TANK FITTINGS	87735105149	1	9	12	0
385310245	OBSOLETE, SUBSTITUTE 385311065	87735105156	5	6	6	8
385310246	OBSOLETE, SUBSTITUTE 385311066	87735105163	5	6	6	8
385310249	KIT, S PUMP W/O MOTOR	87735105187	7	12	12	26
385310250	KIT, T PUMP W/O MOTOR	87735105194	7	24	12	12
385310258	KIT, COMPRES NUT/ADJST CAP	87735111225	1	1	1	1
385310289	KIT, TW III 12 RELAY	87735102643	1	1	1	1
385310290	KIT, TW III 24 RELAY	87735105569	1	1	1	1
385310513	KIT, MAINTENENCE-B PUMP	87735105675	3	6	6	6
385310523	KIT, HARNESS-106 WTR VALVE	87735106214	1	1	1	1
385310531	KIT, M PUMP MAINTENANCE	87735107129	3	6	6	6

ITEM	DESCRIPTION	UPC	WGT	LEN	WID	HGT
385310532	KIT, DIP TUBE-M28 TANK	87735107136	2	3	3	12
385310533	KIT, MOUNTING-M28 TANK	87735107143	2	2	2	2
385310534	KIT, TOILET MOUNTING-M28	87735107150	2	2	2	2
385310535	KIT, OPTIONAL ELBOW-VG II	87735111232	1	4	2	2
385310539	KIT, DIP TUBE ASSEMBLY-VGII	87735107747	2	3	3	12
385310540	KIT, VACUUM SWITCH-VGII	87735107754	0.7	2	6	4
385310542	KIT, VACUUM GENERATOR II TANK	87735107761	9	12	12	24
385310545	KIT, SINGLE LEVEL CAP W/EXT	87735107822	1	2	2	2
385310550	KIT, FUNNEL-106 VACUFLUSH	87735108140	2	6	2	4
385310563	KIT, MOTOR 220V;1/2H;50HZ TEFC	87735108294	23	0	0	0
385310572	KIT, S.P. REPAIR-PARCH	87735108669	0.2	6	4	2
385310573	KIT, S.P. REPAIR-PLAT	87735108676	0.2	6	4	2
385310577	KIT, SANIPOTTIE ELBOW	87735108980	0.65	2	2	2
385310578	KIT, LEVER/CART-TALL BASE	87735109321	1	6	6	8
385310579	KIT, LEVER/CART-SHORT BASE	87735109338	1	7	5	4
385310580	KIT, ELBOW-08/48 OUTLET	87735109895	0.4	2	3	4
385310582	KIT, INDICATOR ASSY-SANISUMP	87735109901	1	6	2	2
385310583	KIT, SANI SUMP TANK w/VENT	87735109925	2	12	20	6
385310584	KIT, SANI SUMP ASSY LESS T12	87735109932	2	12	8	24
385310587	OBSOLETE, SUBSTITUTE 313612401	87735110280	2	4	4	4
385310588	KIT, 511/2011 BASE-EBONY	87735110303	8	8	8	4
385310593	KIT, SHORT PEDAL COVER-EBONY	87735110327	2	5	3	3
385310596	OBSOLETE, SUBSTITUTE 385310117	87735110358	2	5	3	3
385310600	KIT, SHORT BASE COVER-EBONY	87735110396	2	5	3	3
385310603	OBSOLETE, SUBSTITUTE 385310108	87735110426	2	5	3	3
385310607	KIT, 506/1006 BASE-EBONY	87735110464	8	8	8	4
385310610	OBSOLETE, SUBSTITUTE 385310132	87735110495	8	8	8	4
385310613	KIT, 547/847 BASE COVER-BONE	87735110570	2	3	3	5
385310614	KIT, 547/847 BASE-BONE	87735110587	9	8	8	8
385310615	OBSOLETE, SUBSTITUTE 385310739	87735110594	34	19	17.5	11
385310626	OBSOLETE, SUBSTITUTE 385311436	87735110853	0.8	4	4	4
385310627	KIT, VACUUM RELIEF VALVE	87735110860	1	4	4	4
385310629	KIT, FULL INDICATOR-VHT	87735110884	0.2	3	3	3
385310630	KIT, VHT-MACHINED	87735110891	10	28	10	15.5
385310631	KIT, CONNECTING ROD-AIR PUMP	87735110907	1	3	3	3
385310632	OBSOLETE, SUBSTITUTE 385310723	87735110914	1	3	3	3
385310633	OBSOLETE, SUBSTITUTE 385310642	87735110921	1	3	3	3
385310635	KIT, INLET ELBOW-UNISEAL	87735110976	0.8	3	3	3
385310636	OBSOLETE, SUBSTITUTE 313530012	87735111157	2	3	3	3
385310637	OBSOLETE, SUBSTITUTE 313530024	87735111164	2	3	3	3
385310638	KIT, DIP TUBE-VHT SWIVEL	87735111263	2	3	3	8
385310640	KIT, DIPTUBE-4012V HD	87735111324	1	2	2	22
385310642	KIT, VHT AIR PUMP-COMPLETE	87735111430	4	3	3	3
385310644	KIT, ECCENTRIC/SCREW-S/T PUMP	87735111621	1	1	1	1
385310645	KIT, TW III CAP W/O VENT-28HTS	87735111638	2	3	3	22
385310646	KIT, TW III CAP W/O VENT-40HTS	87735111645	0.85	24	5	5
385310647	KIT, DIPTUBE ASSY-28 HTS	87735111652	1	3	3	30
385310648	KIT, DIPTUBE ASSY-40 HTS	87735111669	1	3	3	30
385310649	KIT, SANI SUMP ASSY LESS T24	87735111690	2	12	6	6
385310650	KIT, SANISUMP CIR'BOARD ENC	87735111683	1	3	3	3
385310651	KIT,SC INTERLK 1-1/2CONBRACO	87735111706	0.4	3	2	1
385310659	KIT, CIRCUIT BOARD ASSEMBLY	87735111973	1	3	3	3
385310660	KIT, DIP TUBE-UNIVERSAL	87735112031	1.9	24	4.75	4.75
385310662	KIT, TW I INDICATOR PANEL	87735112116	1	3	3	3
385310664	KIT, MOTOR-VHT	87735112253	0.2	3	3	3
385310665	KIT, 847 BASE-WHITE	87735112284	7	8	8	8
385310666	OBSOLETE, SUBSTITUTE 313604401	87735112321	1	3	3	3
385310668	OBSOLETE, SUBSTITUTE 385310660	87735112581	5	1.5	1.5	22
385310669	KIT, VG-42HTS 12VDC	87735112598	10	19	10	14
385310670	KIT, TW III CAP-42HTS	87735112635	3	3	3	22
385310671	KIT, 42HTS TANK-MACHINED	87735112628	10	43	18	28

ITEM	DESCRIPTION	UPC	WGT	LEN	WID	HGT
385310672	KIT, VG-42HTS 24VDC @	87735112604	10	19	10	14
385310673	KIT, FILTER MOUNTING-HTS	87735112642	1	12	1	1
385310674	KIT, 547/847 BASE COVER-WHITE	87735112659	2	8	8	8
385310675	KIT, 3/4 LEVEL INDICATOR-VHT	87735112697	1	3	3	3
385310676	KIT, ECOVAC BOWL - WHITE	87735112772	30	18.25	14.5	6
385310677	OBSOLETE, SUBSTITUTE 385311462	87735112789	0.5	3	3	0.5
385310679	KIT, MOUNTING-ECOVAC - WHITE	87735112802	1	2	2	2
385310680	KIT, DISCHARGE 147/148-ECOVAC	87735112819	1	3	3	3
385310681	KIT, BALL/SHAFT/CART/ECOVAC	87735112826	0.3	8	3	10
385310682	KIT, ECOVAC PEDAL/CART-WHT	87735112833	1	6	3	3
385310683	KIT, SPRING CARTRIDGE-ECOVAC	87735112710	0.15	1	1	1
385310684	KIT, FLEX PROBE-45"	87735112727	1	1	1	45
385310685	KIT, ECOVAC RH DISC BASE-WHITE	87735112857	5.5	8	8	8
385310686	KIT, ECOVAC REAR DISC BASE-WHT	87735112864	8	8	8	8
385310687	KIT, VAC BRK-ECOVAC	87735112840	0.1	2	2	2
385310688	KIT, SCOCK INLOCK 60"/DEUTSCH	87735112970	0.35	0	0	0
385310689	KIT, DB VLV 1-1/2"-BLACK-50	87735112987	2	8	8	5
385310690	KIT, INLET STRAIGHT 1-1/2"	87735113021	1	1.5	1.5	1.5
385310692	KIT, VG INLET 180 ELBOW	87735113069	0.9	1.5	1.5	1.5
385310693	OBSOLETE, SUBSTITUTE 313604401	87735113076	2	3	3	3
385310694	KIT, 12VDC PUMP RELAY	87735113106	1	1	1	1
385310695	KIT, 24VDC PUMP RELAY	87735113090	1	1	1	1
385310696	KIT, ECOVAC VB COVER-WHITE	87735113120	1	2	2	2
385310697	KIT, SCOCK SW 60"DEUTC/36"LD	87735113137	1	3	3	3
385310698	KIT, SCOCK SW 60"DEUTC/108"LD	87735113144	0.5	3	3	3
385310699	KIT, TW CAP W/VENT-4068H	87735113182	1	3	3	3
385310700	KIT, TW CAP W/VENT-4068V	87735113199	1	3	3	3
385310701	OBSOLETE, SUBSTITUTE 385310660	87735113205	1	0	0	0
385310702	OBSOLETE, SUBSTITUTE 385310660	87735113212	1	0	0	0
385310703	KIT, HOLDING TANK-4068H	87735113229	50	0	0	0
385310704	KIT, HOLDING TANK-4068V	87735113236	50	0	0	0
385310705	KIT, SCOCK INLOCK-GROCO/12	87735113298	1	3	3	3
385310707	OBSOLETE, SUBSTITUTE 385310660	87735113601	1	3	3	22
385310708	KIT, ELBOW-1 1/2" SHORT INLET	87735113618	1	1.5	1.5	1.5
385310709	KIT, ELBOW 1 1/2" SWEEP-18HTS	87735113625	1	1.5	1.5	1.5
385310710	KIT, ELBOW 1 1/2" SWIVEL NUT	87735113632	1	1.5	1.5	1.5
385310711	KIT, TW CAP VENT-18HTS/DEUTSCH	87735113649	1	3	3	22
385310713	KIT, TW CAP W/VENT-18HTS	87735113694	5	3	3	22
385310714	KIT, HARNESS/DEUTSCH PLUGS 10'	87735113717	2	1	1	1
385310715	KIT,TWCAP W/O VENT-28HTS D'SCH	87735113731	2	3	3	22
385310716	KIT,TWCAP W/O VENT 42HTS D'SCH	87735113748	2	3	3	22
385310717	KIT, 12VDC VG W/DEUTSCH-42HTS	87735113755	12	19	10	14
385310718	KIT, 24VDC VG W/DEUTSCH-42HTS	87735113762	12	19	10	14
385310719	KIT, 28HTS TANK-MACHINED	87735113779	10	30	19	19.5
385310720	KIT, 40HTS TANK-MACHINED	87735113786	15	26	22	22
385310721	KIT, 24 CIRCUIT BOARD ASSM	87735113861	1	3	3	3
385310723	KIT, V' REPL-AIR PUMP OLD SYLE	87735113946	0.1	3	3	3
385310724	KIT, TM 6 PANEL - 12VDC	87735114028	1	0	0	0
385310725	KIT, TM 6 PANEL - 24VDC	87735114035	1	2.44	4.75	2.88
385310726	OBSOLETE, SUBSTITUTE 313814101	87735114073	1	3	3	3
385310727	OBSOLETE, SUBSTITUTE 313814103	87735114080	1	3	3	3
385310728	KIT, S-PUMP Q'CON O'LET FITT	87735114707	1	3	3	3
385310729	KIT, CAP/HOSE-1 1/2"	87735114721	0.4	1.5	1.5	1.5
385310730	OBSOLETE, SUBSTITUTE 313530012	87735114745	1	3	3	3
385310735	KIT, S'SUMP LESS T12/PROLINE	87735115049	2	12	6	6
385310738	KIT, INLET/SWIVEL EL-HUNTER	87735115353	1	1.5	1.5	1.5
385310739	KIT,BOWL - 500+ WHITE	87735115377	36.4	20.5	15.25	8
385310740	KIT,BOWL - 500+ BONE	87735115384	36.4	20.5	15.25	8
385310741	KIT,BOWL - 500+ PLATINUM	87735115391	36.4	20.5	15.25	8
385310742	KIT,BOWL - 500+ EBONY	87735115407	36.4	20.5	15.25	8
385310744	OBSOLETE, SUBSTITUTE 385310579	87735115421	2	3	3	3

ITEM	DESCRIPTION	UPC	WGT	LEN	WID	HGT
385310745	KIT, 547+ BASE COVER - PLAT	87735115513	2	8	8	8
385310746	KIT, 547+ BASE COVER - EBONY	87735115520	2	8	8	8
385310747	OBSOLETE, SUBSTITUTE 385310674	87735115537	2	8	8	8
385310748	KIT, 547+ BASE - PLATINUM	87735115544	9	8	8	8
385310749	KIT, 547+ BASE - EBONY	87735115551	9	8	8	8
385310752	OBSOLETE, SUBSTITUTE 385343902	87735115582	1	1	1	1
385310754	KIT, DIPTUBE-LOW PROFILE VG	87735115681	2	3	3	22
385310755	KIT, TANK VG3-MACHINED	87735115698	8.75	20	10	7.5
385310756	KIT, MOTOR/DEUSTCH CONN-12VDC	87735115704	1	3	3	3
385310758	KIT, FLOAT/STEM - BARBED	87735115810	1	2	2	3
385310759	OBSOLETE, SUBSTITUTE 385310792	87735115940	8	0	0	0
385310760	OBSOLETE, SUBSTITUTE 385310793	87735115957	8	0	0	0
385310762	KIT, PEDAL ECOVAC/110-BONE	87735115971	1	6	3	3
385310767	OBSOLETE, SUBSTITUTE 385310660	87735116060	2	1.5	1.5	22
385310768	KIT, EMPTY FLOAT-10HTS	87735116077	1	1.5	1.5	2
385310769	KIT, VACUUM PUMP 12VDC-10HTS	87735116084	8	16	7.5	7.5
385310771	KIT, 10HTS TANK-MACHINED	87735116107	10	32	11	16
385310772	KIT, EL/SWIVEL CONN/FOR U'SEAL	87735116114	0.7	1.5	1.5	3
385310773	KIT, RELAY-10HTS	87735116121	1	1	1	1
385310774	KIT, VGII PUMP ASSY - 12VDC	87735116138	8	16	7.25	7.5
385310775	KIT, VGII PUMP ASSY - 24VDC	87735116145	8	16	7.25	7.5
385310781	KIT, ECOVAC BOWL - BONE	87735116329	30	18	17	6
385310782	KIT, ECOVAC VB COVER - BONE	87735116336	0.5	8	8	4
385310783	KIT, ECOVAC RH DISH BASE/BONE	87735116343	4.9	8	8	8
385310784	KIT, ECOVAC RER DISH BASE/BONE	87735116350	4.9	18	12	12
385310785	KIT, MOUNTING-ECOVAC - BONE	87735116367	1	1	1	1
385310786	OBSOLETE, SUBSTITUTE 385310762	87735116374	1	3	3	3
385310787	KIT, 45 INLET ELBOW/UNISEALS	87735116404	1	1.5	1.5	3
385310790	KIT,BOWL TRAVELER LITE/WHITE	87735116664	30	19.5	15	8
385310791	KIT,BOWL TRAVELER LITE/BONE	87735116671	30	19.5	15	8
385310792	KIT, BASE TRAVELER L'T 110/WHT	87735116688	5.25	8	8	8
385310793	KIT, BASE TRAVELER L'T110/BONE	87735116695	9	8	8	8
385310794	KIT, MOUNT TRAVELER L'T110/WHT	87735116701	1	1	1	1
385310795	KIT, VAC BREAKER COVER/TL/WHT	87735116718	0.058	3	3	3
385310796	KIT, VAC BREAKER COVER/TL/BONE	87735116725	0.05	3	3	3
385310798	KIT, 12VDC RELAY/6 PIN-VG	87735116770	1	1	1	1
385310799	KIT, 24VDC RELAY/6 PIN-VG	87735116787	1	1	1	1
385310800	OBSOLETE, SUBSTITUTE 385310916	87735116800	3	0	0	0
385310801	KIT, BASE TRAVELER L'T111/WHT	87735116824	5	8	8	4
385310802	KIT, BASE TRAVELER L'T111/BONE	87735116831	5	8	8	4
385310803	KIT, MNT TRAVELER L'T/110BONE	87735116848	1	8	8	8
385310807	KIT, VAC BRK'R ASY/PLUGIN BASE	87735117807	0.4	6	4	2
385310808	KIT, VAC BRK'K SPRAY/PLUGIN BS	87735117814	1	3	3	3
385310809	KIT, HAND SPRAY-CHROME	87735117821	0.5	3	3	3
385310813	KIT, MOUNT/MAGNUM OPUS/CHROME	87735117869	2	3	3	3
385310814	KIT, MOUNT/MAGNUM OPUS/GOLD	87735117876	2	3	3	3
385310819	KIT, BALL SEAL/MAGNUM OPUS	87735117920	0.35	6	6	6
385310821	KIT, WATER VALVE 12/MAGNUM OP	87735117944	1	4	4	4
385310827	OBSOLETE, SUBSTITUTE 385310893	87735118002	10	0	0	0
385310828	OBSOLETE, SUBSTITUTE 385310892	87735118019	10	0	0	0
385310833	KIT, DNF PANEL/FULL FLOAT	87735117562	1	3	3	3
385310836	KIT, ELBOW-T PUMP	87735117616	1	3	1.5	1.5
385310837	OBSOLETE, SUBSTITUTE 385310660	87735117654	3	20	3	3
385310838	KIT, 35 HTS-MACHINED	87735117661	40	22.5	32	21.5
385310839	KIT, LEVEL INDICATOR-14"	87735117678	2	3	3	3
385310840	KIT, LEVEL INDICATOR 8"	87735117685	0.6	3	3	3
385310841	KIT, LEVEL INDICATOR 2 1/4"	87735117692	2	3	3	3
385310842	KIT, RELAY/BRACKET-12VDC	87735117708	1	3	3	3
385310843	KIT, RELAY/BRACKET-24VDC	87735117715	1	1	1	1
385310844	KIT, TANK INLET ELBOW-35HTS	87735117722	1	1.5	1.5	1.5
385310845	KIT, WATER VALVE 24/MAGNUM OP	87735118064	0.6	3	3	3

ITEM	DESCRIPTION	UPC	WGT	LEN	WID	HGT
385310847	OBSOLETE, SUBSTITUTE 385310890	87735118088	10	3	3	3
385310851	KIT,ACCESS LID/MAGNUM OPUS WHT	87735118149	5	15.5	3	3
385310852	KIT,ACCESS LID/MAGNUM OPUS BON	87735118156	3.5	15.5	3	3
385310854	KIT,ACCESS LID MT/MAGNUM OPUS	87735118170	1	1	1	1
385310855	KIT, 500+ REINFORCEMENT-TALL	87735118286	1.5	8	8	8
385310856	KIT, 500+ REINFORCEMENT-SHORT	87735118293	1	8	8	8
385310864	KIT,ACCESS LID MAG OPUS/PLAT	87735118385	5	12	4	4
385310873	KIT,SPRAY-EBONY	87735118477	2	3	3	3
385310879	KIT, BASE ASSY/24/MO 3058	87735118620	25	8	8	8
385310882	KIT,H'DWARE/FLANG TRAVELER L'T	87735118941	1	6	6	6
385310883	KIT, 3/4" ELBOW/UNISEAL	87735119122	1	0.75	0.75	1
385310885	KIT, INLET ELBOW	87735119146	1	1.5	1.5	1.5
385310887	KIT,MAG OPUS C BOARD-12/TRAV	87735119290	0.8	3	3	3
385310888	KIT,MAG OPUS C BOARD-12 VF	87735119306	10	3	3	3
385310889	KIT, TANK FULL PANEL	87735119313	1	3	3	3
385310890	KIT,MAG OPUS C BOARD-24 VF	87735119320	0.55	8	8	4
385310891	KIT, BASE 711-M28 - BONE	87735119412	8	8	8	4
385310892	KIT, MOGR12 RETROFIT	87735119429	3	3	3	3
385310893	KIT, MOVF12 RETROFIT	87735119436	3	3	3	3
385310894	KIT, MOVF24 RETROFIT	87735119443	3	3	3	3
385310895	KIT, 7" EXT INLET ELBOW	87735119511	3	1.5	1.5	7
385310897	KIT,T-PUMP QUICK CONN ELBOW	87735119603	0.6	10	6	2
385310899	KIT, SP HINGE PINS-PARCH	87735119832	1	1	1	1
385310900	KIT, SP HINGE PINS-WHT	87735119849	1	1	1	1
385310902	KIT, S/T-PUMP REPAIR	713814040345	0.2	1	1	1
385310903	KIT, BASE 749-WHITE	713814040321	8	8	8	8
385310904	KIT, PEDESTAL COVER 49-WHITE	713814040338	2	8	8	8
385310905	KIT, LEVEL IND'C 42HTS	713814072018	3	0	0	0
385310908	KIT, MO FLUSH SWITCH & CABLE	713814040437	0.5	2	2	2
385310909	KIT, HTS42 MID LEVEL INDIC'T	713814072025	1	0	0	0
385310910	KIT, BASE '48/PLASTIC PED-WHT	713814040895	8	8	8	8
385310911	KIT, BASE 1049 - WHITE	713814040925	8	18	12	12
385310912	KIT, BASE 1049 - BONE	713814040932	8	8	8	8
385310913	KIT, PEDESTAL COVER 49 - BONE	713814040949	2	8	8	8
385310914	KIT, SWIVEL ELBOW - HTS ϕ	713814040956	0.5	1.5	1.5	3
385310915	KIT, HTS42 EMPTY LEVEL INDIC'T	713814072032	1.5	0	0	0
385310916	KIT, TW CAP 40 HTS W/DEUTSCH	713814041267	1.5	0	0	0
385310918	KIT, TMG CONTROL MOD AS/SH/12	713814044039	1.8	0	0	0
385310919	KIT, TMG CONTROL MOD AS/SH/24	713814044046	1.8	0	0	0
385310920	KIT, TMG CONTROL MOD AS/MH/12	713814044053	1.8	0	0	0
385310921	KIT, TMG CONTROL MOD AS/MH/24	713814044060	2	7.5	4.75	2.5
385310922	KIT, TMG CONTROL MOD MS/SH/12	713814044077	1.8	0	0	0
385310923	KIT, TMG CONTROL MOD MS/SH/24	713814044084	1.8	0	0	0
385310924	KIT, TMG CONTROL MOD MS/MH/12	713814044091	1.8	0	0	0
385310925	KIT, TMG CONTROL MOD MS/MH/24	713814044107	1.8	0	0	0
385310926	KIT, TMG CONT'L PNL AUTO START	713814044114	1.8	0	0	0
385310927	KIT, TMG CONT'L PNL AUTO/SEA'K	713814044121	1.8	0	0	0
385310928	KIT, TMG CONT'L PNL MAN START	713814044138	0.4	3.5	3.5	3.5
385310929	KIT, TMG CONT'L PNL MAN/SEA'K	713814044145	1.8	0	0	0
385310930	KIT, T12-Q'CON IN/NIP OUT-REV	713814072049	7.6	0	0	0
385310931	KIT, QUICK CONNECT ELBOW	713814072056	1	0	0	0
385310932	KIT, TANK 4012-HTS EC	713814072063	0	0	0	0
385310933	KIT, LEVEL IN'D 4012-MID	713814072070	0	0	0	0
385310934	KIT, LEVEL IN'D 4012-EMPTY	713814072087	2	0	0	0
385310935	KIT, VG EL OUTLET TO TANK	713814072094	0.3	0	0	0
385310936	KIT, DISCHARGE 149-ECOVAC	713814072100	0.5	6	6	6
385310937	OBSOLETE, SUBSTITUTE 385310660		0	0	0	0
385310938	KIT, INLET ELBOW 1"X 1-7/8"	713814072117	3	6	4	2
385310939	KIT, COM'P MTG INSERT HD TANK	713814072124	0.2	0	0	0
385310943	KIT, BASE 606; 1606-WHITE	713814072155	5	18	12	12
385310944	KIT, FUNNEL 09 (3938 SEAL)	713814072162	2	8	8	4

ITEM	DESCRIPTION	UPC	WGT	LEN	WID	HGT
385310946	OBSOLETE, SUBSTITUTE 385310660	713814045364	2	0	0	0
385310947	KIT, TANK 4020-HTS-EC	713814049782	25	29.5	15	14
385310948	KIT, LEVEL IN'D 4020-EMPTY	713814049799	1	12	9	3
385310949	KIT, LEVEL IN'D 4020-MID	713814049805	1	7	5	4
385310951	KIT, TANK 28G-HTS-EC	713814049812	25	44	19	26
385310954	KIT, BALL/BRASS SHAFT/P CART.	713814049386	0.5	8	10	0
385310955	KIT, DISCHARGE HOSE HTS-EC	713814072179	0.5	0	0	0
385310957	OBSOLETE, SUBSTITUTE 313535004		0	0	0	0
385310958	KIT, AD'J TANK LEVEL PROBE	713814041786	2	22	3	3
385310959	KIT, TANK FULL PROBE	713814041793	1	5	3	3
385310961	KIT, TL FL'G SEAL/45°SW'L FL'G	713814042141	1.5	3	3	3
385310962	KIT, FLUSH HANDLE-CHROME (MO)	713814042431	4	3	3	3
385310963	KIT, FLUSH HANDLE-GOLD (MO)	713814042448	4	3	3	3
385310964	KIT, FLUSH MECH (MO)	713814042455	4	3	3	3
385310965	KIT, ROCKER ST'CH/CABLE (MO)	713814042462	2	3	3	3
385310966	OBSOLETE, SUBSTITUTE 385314349	713814042479	2	0	0	0
385310968	KIT, MO FUNNEL 3006/3009	713814043988	1	5	5	5
385310969	KIT, MO HALFB'L/SHAFT AY-WHT	713814043971	2	3	3	3
385310971	KIT, MO HALFB'L/SHAFT AY-EBY^	713814043957	2	5	5	5
385310975	KIT, BASE LH WHITE-ECOVAC	713814072186	8	18	12	12
385310976	KIT, BASE LH BONE-ECOVAC	713814072193	8	18	12	12
385310977	KIT, 1-1/2" SWIVEL ELBOW	713814042783	2	0	0	0
385310978	KIT, BASE 09 - BONE	713814043926	8	8	8	8
385311001	KIT, CON'TO ACCESS C'VR-WHT	713814044633	5	7	3	3
385311002	KIT, CON'TO ACCESS C'VR-BONE	713814044640	5	7	3	3
385311003	KIT, CON'TO FLUSH SWITCH	713814044657	0.5	3	3	3
385311004	KIT, CON'TO FLUSH ASSY	713814044664	0.3	5	5	5
385311005	KIT, CON'TO SEAT & LID-WHT	713814044671	7	20	14.75	4
385311006	KIT, CON'TO SEAT & LID-BONE	713814044688	7	20	14.75	4
385311008	OBSOLETE, SUBSTITUTE 385311731	713814044701	55	23	14.75	19
385311009	KIT, PLUG IN BASE SEALS	713814044718	0.35	9	9	12
385311010	KIT, CON'TO SHAFT/HALF-BALL	713814044725	1.5	5	5	5
385311011	KIT, CON'TO L-BOLT/NUTS/WSHR	713814044732	1	2	2	2
385311012	KIT, CON'TO NYLON NUTS/WSHR	713814044749	1	1	1	1
385311013	KIT, CON'TO FLOOR FLANGE ADPT	713814044756	1.2	5	5	4
385311014	KIT, CON'TO FLUSH CABLE	713814044763	5	0	0	0
385311015	KIT, CON'TO BASE PULLEY	713814044770	2	0	0	0
385311016	OBSOLETE, SUBSTITUTE 385311900	713814044787	1.5	0	0	0
385311017	KIT, CON'TO RETURN SPRING	713814044794	1	0	0	0
385311018	KIT, PLUG-IN SUPPLY HOSE	713814044800	1	6	0.5	0.5
385311019	OBSOLETE, SUBSTITUTE 385310821	713814044817	2	4	4	4
385311020	KIT, CON'TO MT'G HARD-CHR	713814044824	1.5	2	2	2
385311021	KIT, CON'TO MT'G HARD-GOLD	713814044831	1.5	0	0	0
385311022	KIT, CON'TO MT'G HARD-BONE/WHT	713814044848	1.5	0	0	0
385311023	KIT, CON'TO FLUSH H'DL-CHR	713814044855	4	3	2	2
385311025	KIT, CON'TO FLUSH H'DL-NICK	713814044879	4	0	0	0
385311027	OBSOLETE, SUBSTITUTE 385310808	713814044893	1	2	4	6
385311028	OBSOLETE, SUBSTITUTE 385311900	713814044909	6	0	0	0
385311029	KIT, T-PUMP ELL-10HTS HULL TK	713814044930	0.5	1.5	1.5	1.5
385311030	OBSOLETE, SUBSTITUTE 385310660	713814044947	0	0	0	0
385311031	KIT, MID LEVEL FL'T 10G HULL	713814044954	0.25	2	0.75	0.75
385311032	KIT, EMPTY LEVEL FL'T 10G HULL	713814044961	0.25	2	0.75	0.75
385311033	KIT, 1" REDUCING ADAPTER	713814044978	0.5	2	1	1
385311034	KIT, TMG CONTROL MOD-GRADY WHT	713814044985	2	7.5	4.75	2.5
385311035	KIT, 42HTS VG INLET ASSY	713814047566	2	12	9	3
385311036	KIT, KEY-TM4 & TMG	713814045357	0.05	2	1	0.13
385311038	KIT, BASE 1007-WHITE	713814044251	8	8	8	8
385311039	KIT, BASE 1007-BONE	713814044268	8	8	8	8
385311040	KIT, VHT AP VALVE REP'L-ELX	713814046101	0.3	0	0	0
385311041	KIT, CONVERSION S TO W-PUMP 12	713814044497	5	8.25	2.75	3
385311042	KIT, CONVERSION S TO W-PUMP 24	713814044503	5	8.25	2.75	3

ITEM	DESCRIPTION	UPC	WGT	LEN	WID	HGT
385311043	KIT,CONVERSION S TO W-VG 12	713814044510	5	8.25	2.75	3
385311044	KIT,CONVERSION S TO W-VG 24	713814044527	5	8.25	2.75	3
385311051	OBSOLETE, SUBSTITUTE 385311050	713814045074	22	0	0	0
385311052	KIT, BASE '48 PLUGIN	713814045081	4	15	12	10
385311053	KIT, BASE '06 PLUGIN	713814045098	22	15	12	10
385311056	KIT, PLUGIN BASE '48 ADAPTER	713814044916	1.35	10	7.5	7.5
385311057	KIT, 3600 CHINA MTG	713814045692	0.24	0	0	0
385311058	KIT, 3600 CIRCUIT BOARD 12VDC	713814045708	1.291	0	0	0
385311059	KIT, 3600 CIRCUIT BOARD 24VDC	713814045715	0.7	0	0	0
385311061	KIT, 3600 SEAT & C'VR-WHITE	713814045739	7.55	0	0	0
385311062	KIT, 3600 SEAT & C'VR-BONE	713814045746	7.55	0	0	0
385311065	KIT, W-SERIES MOTOR REP'L 12V	713814044572	5	8.25	2.75	3
385311066	KIT, W-SERIES MOTOR REP'L 24V	713814044589	5	0	0	0
385311069	KIT, THR'D ELBOW W/HOSE ADAPT	713814047559	0.4	5	5	5
385311070	KIT, THR'D QUICK CON'T ADAPT	713814047542	0.5	7	5	4
385311071	KIT, CIR BOARD RETROFIT HARN	713814045128	0.5	0	0	0
385311073	KIT, VENT ELBOW-BARBED	713814045036	0.5	1.5	1.5	1.5
385311074	KIT, VG OULET ASSY-4012 TK	713814045043	1	18	12	12
385311075	KIT, TANK FULL W/DEUTSCH	713814045050	0.5	0.5	0.5	2
385311076	OBSOLETE, SUBSTITUTE 385310660	713814045371	2	0	0	0
385311077	OBSOLETE, SUBSTITUTE 385310660	713814045388	2	0	0	0
385311078	OBSOLETE, SUBSTITUTE 385310660	713814045395	2	0	0	0
385311079	KIT, BOWL 5000 SER-WHITE	713814045432	25.5	18.38	14.88	7.5
385311080	KIT, BOWL 5000 SER-BONE	713814045449	25.5	18.38	14.88	7.5
385311081	KIT, BASE '09/PLASTIC PED-WHT	713814045456	6.85	12.75	12.75	7
385311082	KIT, LEVEL IN'D (322503001)	713814047221	1	11.75	8.75	4.75
385311083	OBSOLETE, SUBSTITUTE 385311384	713814045463	1	6	4	2
385311084	KIT, BASE '47/PLASTIC PED-WHT	713814045470	3	0	0	0
385311085	KIT, BASE '47/PLASTIC PED-BONE	713814045487	3	0	0	0
385311086	KIT, BASE '48/PLASTIC PED-BONE	713814045494	3	12.75	12.75	7
385311087	KIT, BASE '49/PLASTIC PED-BONE	713814045500	3	0	0	0
385311088	KIT, BASE '06-BONE	713814045517	3	18	12	12
385311089	KIT, HD TK 1-1/2" HOSE REP'L	713814072209	1	0	0	0
385311090	KIT, TWCAP W/D'TSCH(322505001)	713814045562	4	48	5	5
385311091	KIT, VENT ELBOW INLET 3/4"	713814045579	0.3	0	0	0
385311092	KIT, INLET ELBOW W/SWIV CON	713814045586	1	5	4	7
385311094	KIT, BASE 1106-BONE	713814045777	3	12.75	12.75	4
385311095	KIT, HAND FLUSH LEVER	713814045784	2	4	4	1
385311096	KIT, LPVG REP'L TOP-MT VC SWT	713814045791	0	0	0	0
385311097	KIT, DIPTUBE EXT (320101002)	713814045807	5	12	2	2
385311098	KIT, TANKMG FACEP/MAN-GRADY	713814045869	0.2	0	0	0
385311099	KIT, ELBOW SWIVEL (SLIP X MPT)	713814045890	2.5	5	5	24
385311100	KIT, LPVG-W-PUMP ASSY 24VDC	713814045906	8	10	6	6
385311101	KIT, INLET EL/1-1/2P-SANISUMP	713814047337	1	6	6	6
385311102	KIT, LEVEL IN'D (322506901)	713814046002	0.8	0	0	0
385311103	KIT, SWITCH FLOAT & LOCK RING	713814046026	0.3	0	0	0
385311104	KIT, LEVEL INDICATOR 5-1/2"EMP	713814046033	0.5	7	5	4
385311105	KIT, LEVEL INDICATOR 3-7/8" MID	713814046040	0.5	7	5	4
385311106	KIT, VENT FILTER BRACKET	713814046057	0.7	0	0	0
385311107	KIT, LEVEL IND (600344923 TK)	713814046071	2	0	0	0
385311108	KIT, DIPTUBE TO T12(381231127)	713814046088	2	0	0	0
385311109	KIT, TRANS'N VGPLB(381231127)#	713814046095	0.5	0	0	0
385311110	KIT, SEALING GROMMET 2"	713814046644	0.25	6	6	0.75
385311111	KIT, SEALING GROMMET 1-1/2"	713814046651	0.05	6	6	0
385311112	KIT, SEALING GROMMET 3/4"	713814046668	0.25	6	6	0.75
385311113	KIT, INLET FITTING 3/4"X1-7/8"	713814046675	0.5	6	4	2
385311114	KIT, INLET FITTING 30MMX1.5MPT	713814046682	0.8	7	5	4
385311115	KIT, INLET FITTING 30MM	713814046699	0.8	7	5	4
385311116	KIT, TWCAP MID/FULL(322402013)	713814046705	0.8	6	6	6
385311117	KIT, MOUNTING HARDWARE-210	713814046729	0.15	6	5	1
385311118	KIT,LEVEL IND DEUT E/M/F-4040H	713814046866	0.3	0	0	0

ITEM	DESCRIPTION	UPC	WGT	LEN	WID	HGT
385311119	KIT, PR PEDAL & COVER-WHT	713814046736	0.85	9	6	6
385311120	KIT, PR PEDAL & COVER-BONE	713814046743	0.85	9	6	6
385311121	KIT, PR PEDAL & CART-WHT	713814046750	1.3	9	6	6
385311122	KIT, PR PEDAL & CART-BONE	713814046767	1.3	9	5	5
385311123	KIT, VENT FILT INSTALL 3/4"	713814072216	1	3	3	12
385311124	KIT, HAND SPRAY-WHITE	713814046774	0.5	8.25	8.25	5
385311125	KIT, HAND SPRAY BRKT-EBONY	713814046781	0.5	6	4	2
385311126	KIT, BASE SHROUD-WHITE	713814046798	2	15	12	10.5
385311127	KIT, BASE SHROUD-BONE	713814046804	2	15	12	10.5
385311128	KIT, BASE 210-WHITE	713814046811	5	15	12	10.5
385311129	KIT, BASE 210-BONE	713814046828	6	20	20	12
385311130	KIT, LEVEL IND (381231698)	713814072223	1	11.75	8.75	4.75
385311131	KIT, HAND SPRAY BRKT-CHROME	713814047122	0.5	5	6	1
385311132	KIT, DIPTUBE XTRA-UNIVERSAL	713814046972	0	0	0	0
385311133	KIT, LEVEL IN'D (322507001)	713814046989	0	0	0	0
385311134	KIT, 180° ELBOW	713814047320	1	6	2.5	6
385311135	KIT, 1" ELBOW	713814047306	0.5	6	10	0
385311137	KIT, BASE 209 - WHITE	713814047252	10	20	20	12
385311138	KIT, BASE 248 - WHITE	713814047269	10	20	20	12
385311139	KIT, WALL MT SWITCH-GRAVITY	713814047573	0.65	8	8	5
385311140	OBSOLETE, SUBSTITUTE 313404012	713814047597	0.75	5	5	5
385311141	KIT, FLUSH HANDLE-NICKLE	713814047580	0.5	2	4	6
385311142	KIT, WIRE HR-9/319012001	713814072230	3	7	7	4
385311143	KIT, WIRE HR-PNL /319012001	713814072247	2	6	4	2
385311144	KIT, WIRE HR-FUL PNL/319012001	713814072254	2	6	4	2
385311145	OBSOLETE, SUBSTITUTE 313530012	713814072261	0.8	5	5	5
385311146	KIT, LEVEL IND(322405509/10)	713814047603	2	14	6	6
385311147	KIT, TW CAP W/O VENT(D) 4020H	713814047894	5	24	4.75	4.75
385311148	KIT, VT MANIFOLD (317729300)	713814047900	20	36.25	22	21.5
385311149	KIT, TW CAP W/O VENT(D) 4040H	713814047917	5	24	4.75	4.75
385311150	KIT, QUICK CON ELBOW ASSY	713814047924	0.5	6	4	6
385311151	KIT, 4040VG MANIF'D(322404001)	713814047931	20	36.3	22	21.5
385311152	KIT, QUICK CON EL INLET	713814047948	1	6	6	6
385311156	KIT, T24-Q'CON IN/NIP OUT-REV	713814047665	9	12	8	8
385311157	KIT, INLET ELBOW LPVG-HTANK	713814047689	1	7	5	43
385311158	KIT, BASE 168-WHITE	713814047719	6	18	12	12
385311159	KIT, LEVEL IN'D 35/28+HTS W/DT	713814047733	0.85	0	0	0
385311160	KIT, VG MAN'F (381231754)	713814047771	1.5	15	12	10
385311161	KIT, VAC TESTER PLUG REP'L	713814047801	0.5	8	8	4
385311162	KIT, MTG HARDWARE VG TO HTS	713814072278	0.25	0	0	0
385311163	KIT, MTG HARDWARE PUMP TO TANK	713814048808	0.08	6	6	0.5
385311164	KIT, SEALING GROMMET 1/2"	713814072285	0.05	6	6	0.75
385311165	KIT, LPVG12 REP'L-322405513/14	713814047870	21	32.75	10.88	16.5
385311166	KIT, TPUMP QUICK CON ADAPTER	713814047887	0.3	0	0	0
385311167	KIT, 1/4 BEND DIPTUBE ELBOW	713814048013	2	6	4	2
385311168	KIT, LEVEL IN'D (322404004)	713814048020	0.5	6	4	2
385311169	KIT, INLET 45° 1-1/2"	713814048037	2	7	5	4
385311170	KIT, BASE '09 24VDC PLUGIN	713814072292	8	15	12	10
385311172	KIT, RETROFIT CIR'BD 3310/3410	713814048723	1	8	8	4
385311173	KIT, DB ELBOW (322022824)	713814048709	0.5	6	4	2
385311174	KIT, CONTROL MOD 3310/3410	713814048730	0.8	8	8	4
385311175	KIT, FLUSH ASSY 3310	713814048747	0.25	7	5	4
385311176	KIT, ROCKER SW'T W/CB 3310	713814048754	0.5	6	4	2
385311177	KIT, BASE 3310/3410PLUGIN CP'L	713814048761	8	15	12	10
385311178	KIT, LPVG24 REP'L-322405515/16	713814072308	12	32.75	10.87	16.5
385311179	KIT, PEDAL CV'R REP'L 210 WHT	713814072315	2	7	5.5	4.5
385311180	KIT, PEDAL CV'R REP'L 210 BONE	713814072322	0.25	6	4	2
385311181	KIT, CVT CAP & SEAL	713814049546	0.5	6	4	2
385311182	KIT, CVT HD TK-REP'L W/D'TUBE	713814049553	8	28.5	10.5	16.5
385311185	KIT, CVT SNAP ACTION SWITCH	713814049584	0.5	6	4	2
385311192	KIT, CVT INLET ELBOW	713814049652	0.2	0	0	0

ITEM	DESCRIPTION	UPC	WGT	LEN	WID	HGT
385311193	KIT, CVT INLET STRAIGHT	713814049669	0.5	0	0	0
385311194	KIT, CVT CORRUGATED HOSE	713814049676	0.5	6	4	2
385311196	KIT, CVT PUMP BODY COVER	713814049690	0.5	6	6	6
385311198	KIT, CVT COMPL DOCK UNIT-MAR	713814049713	5	18	12	12
385311200	KIT, WALL MT SW'T-GRAV 18' MON	713814048792	0.65	6	6	6
385311202	KIT, BOWL 3606-BONE	713814048785	47	26	20	18
385311203	KIT, LEVEL IN'D (381231096)	713814072339	0	0	0	0
385311204	KIT, HAND FLUSH LEVER/T-BIRD	713814072346	2	4	4	1
385311205	KIT, LEVEL IN'D 18HTS W/D'TSH	713814049010	4	24	4.75	4.75
385311206	KIT, VG OUTLET ASSY (18HTS)	713814049027	2.5	11.75	8.75	4.75
385311207	KIT, FULL FLOAT REPAIR 80HTS	713814049492	1	0	0	0
385311208	KIT, DB VALVE 2"-BLACK (2)	713814050016	0.15	4	4	2
385311209	KIT, 2" VALVE ADAPTER	713814050023	0.5	3	3	3
385311210	KIT, 2" TRANS FITTING TO 1.5"	713814050030	0.5	3	3	3
385311211	KIT, STR'GT HOSE FIT W/NUT-VG4	713814050047	1	7	6	2
385311212	KIT, 1-1/2" SWIVEL NUT	713814050054	0.5	3	3	2
385311213	KIT, PUMP MTG ORING TO TANK	713814050061	0.5	3	3	2
385311214	KIT, 2" DUCKBILL COLLAR	713814050078	0.5	3	3	3
385311215	KIT, SNAP-ON VAC SW'CH CVR-WHT	713814050085	0.5	5	3	3
385311216	KIT, VAC SWITCH ASSY SNAP-ON	713814050092	1	5	4	3
385311217	KIT, TANK ASSY-VG4	713814050108	8	15	8	10
385311218	KIT, ELBOW HOSE FIT W/NUT-VG4	713814050115	0.5	7	5	3
385311219	KIT, TANK SEAL-VG4	713814050122	0.5	21	16.5	1
385311220	KIT, JPUMP MTG HARDWARE	713814050139	1	6	5	1
385311221	OBSOLETE, SUBSTITUTE 385311229	713814050146	8	10	10	8
385311223	OBSOLETE, SUBSTITUTE 385311231	713814050160	1	5	5	2
385311224	KIT, S-SERIES MOTOR MTG HARD	713814050177	1	5	5	1
385311225	KIT, PUMP TOP-CLOSE W/SCREWS	713814050184	4	6	6	6
385311226	KIT, PUMP BELLOWS CLAMP KIT	713814050191	1	7	5	2
385311227	KIT, JPUMP BODY	713814050207	1.5	10	10	8
385311228	KIT, RELAY HARNESS-322021012	713814049287	2	6	4	2
385311229	KIT, JW12 PUMP REPLACEMENT	713814050214	8	10	10	8
385311230	KIT, JW24 PUMP REPLACEMENT	713814050221	8	10	10	8
385311231	KIT, PUMP COVER - JW	713814050238	0.5	5	4	3
385311232	KIT, DIPTUBE WYE FITTING 21HTS	713814049423	1.5	12	9	3
385311233	KIT, SLIP SEAL 1-1/2" REP'L	713814049430	0.25	6	6	2
385311234	KIT, LEVEL IN'D W/DEUT-21HTS	713814049447	5	24	4.75	4.75
385311235	KIT, LEVEL IN'D - 21HTS	713814049454	2.5	24	4.75	4.75
385311236	KIT, VG4 TO HD TANK FITTING	713814049461	2	7	5	4
385311237	KIT, SLIP SEAL ADAPTER-VG4	713814049478	0.25	6	6	1
385311238	KIT, O'RING REP'L-VG4 FITTINGS	713814050245	0.25	6	6	0.5
385311240	KIT, WIRE HARN 4'-GRADY WHT	713814072353	1	6	6	6
385311241	KIT, SEALING GROMMET 1"	713814049935	0.25	6	6	0.5
385311242	KIT, SEALING GROMMET 1-1/4"	713814049942	0.25	6	6	0.5
385311243	KIT, DIPTUBE ASSY-CVT	713814049737	2	14	6	6
385311244	KIT, DISCHARGE ELBOW-CVT	713814049744	1	14	6	6
385311245	KIT, DISCHARGE STR'T FIT-CVT	713814049751	1	14	6	6
385311247	KIT, 1-1/2 EL W/2 SWIVELS CON	713814049867	2	6	4	2
385311248	KIT, ELBOW TANK INLET 401208	713814049874	3	4	8	8
385311249	KIT, ELBOW 45° SWIVEL	713814050597	1.5	6	6	6
385311250	KIT, TW CAP ORING REP'L	713814049881	0.5	6	6	0.5
385311251	KIT, 90° ELBOW FITTING	713814049898	0.2	7	5	2
385311252	KIT, FLANGED ADAPTER FITTING	713814049904	0.25	7	5	3
385311253	KIT, ADJ IND'V LEVEL IND'C-12"	713814072360	0.55	0	0	0
385311254	KIT, ADJ IND'V LEVEL IND'C 24"	713814072377	1.1	48	5	5
385311255	KIT, FLOOR FL'G SEAL & SPACER	713814050573	0.5	9	12	0
385311256	KIT, SEAL/SPACER (BULK 100)	713814050580	50	26	20	22
385311257	KIT, VG MANIFOLD 322003901	713814050740	3	0	0	0
385311258	OBSOLETE, SUBSTITUTE 385311267		0.5	80	8	2
385311259	KIT, OUTLET ASSY-HD TK C4/TM09	713814072384	2	8	8	4
385311260	KIT, VG4 STR'GT CON-RIGID PL'B	713814050986	0	0	0	0

ITEM	DESCRIPTION	UPC	WGT	LEN	WID	HGT
385311261	KIT, VG4 ELBOW CON-RIGID PL'B	713814050993	0.3	0	0	0
385311262	KIT, LEVEL IN'D(CHAP 10H/4012)	713814050832	0.5	6	4	2
385311263	KIT, RELAY 3/4-FULL ASSY	713814050849	0.5	6	4	2
385311264	KIT, 45° DIPTUBE FITTING	713814072391	1	7	5	4
385311265	KIT, TK INLT PLB-381231791/793	713814050917	0.3	0	0	0
385311266	KIT, LEVEL IN'D(381231791/793)	713814050924	0.5	6	4	2
385311267	KIT, FLOOR FLANGE SEAL-3938	713814050931	0.5	12	9	1
385311268	KIT, VHT COVER	713814051020	0.5	10	10	5
385311269	KIT, SWIVEL DISCHARGE ELBOW	713814051037	1	6	4	2
385311270	KIT, VHT DIPTUBE	713814051044	4	14	10	6.5
385311271	KIT, LEVEL IN'D(CHAP381231794)	713814051051	3	7	7	4
385311272	KIT, 1-1/2" CLOSE NIP (MACH'N)	713814051082	0.5	2	2	2
385311273	KIT, LEVEL IN'D-319018005/006	713814051099	2	12	9	3
385311274	KIT, LEVEL IN'D (319018007/008	713814051129	4	24	5	5
385311275	KIT, VG4 MOUNTING HARDWARE	713814051136	1	6	4	1
385311276	KIT, VG4 OUTLET EL-42HTS	713814072407	1	7	5	4
385311277	KIT, PANEL-3/4 & FULL TW	713814051280	1	6	4	2
385311278	KIT, VG4 OUTLET ASSY-18HTS	713814072414	2.5	11.75	8.75	4.75
385311280	KIT, TANK LEVEL PNL 201	713814072421	3	7	5	4
385311281	OBSOLETE, SUBSTITUTE 385311494	713814072438	3	7	5	4
385311282	KIT, TANK LEVEL PNL 301	713814072445	0.7	7	5	4
385311283	OBSOLETE, SUBSTITUTE 385311496	713814072452	3	7	5	4
385311284	KIT, T-PUMP INLET (319019001)	713814051389	5	20	12	8
385311285	KIT, LEVEL IN'D (322007001)	713814072469	2	12	9	3
385311286	KIT, BASE 711-M28 - WHITE	713814051587	5	10	12	15
385311287	KIT, M28 TANK-WHITE	713814051594	19	19.5	18	12
385311288	KIT, LEVEL INDICATOR 3-5/8"	713814051747	1	6	4	2
385311289	KIT, VG4(2) OUTLET ASSY	713814051754	5	15	12	10
385311290	KIT, ROCKER SWITCH-4300	713814051785	0.2	6	4	3
385311291	KIT, FLUSH ASSY 4310	713814051792	1	6	4	2
385311292	KIT, BASE RING INSERT	713814051808	0.5	7	5	1
385311293	KIT, BASE 4310/4410 ASSY	713814051815	8	10	12	15
385311294	KIT, O'RING PLUG-IN BASE	713814051822	0.5	6	6	1
385311295	KIT, MTG BRACKET 4300/4400	713814051839	3	12	9	3
385311296	KIT, ROTOR SHAFT CAM 4300/4400	713814051846	1	6	6	1
385311297	KIT, LINKAGE SPRING 4300/4400	713814051853	0.5	6	6	1
385311298	KIT, TERM BLK/WIRING 4300/4400	713814051860	1	6	4	2
385311299	KIT, MTR DRIVE ARM 4300/4400	713814051877	1	6	6	1
385311300	KIT, MOTOR REP'L 4300/4400	713814051884	3	6	6	6
385311301	KIT, OVERRIDE SPRING 4300/4400	713814051891	2	6	4	2
385311302	KIT, OVERRIDE ASSY 4300/4400	713814051907	2	6	4	2
385311303	KIT, LINKAGE DRIVE 4300/4400	713814051914	2	8	8	4
385311304	KIT, BASE 4300/4400 COMPLETE	713814051921	7.2	10	12	15
385311305	KIT, DTM04 PNL/HARN 8-PIN DEUT	713814052041	0.5	7	5	4
385311306	KIT, VG4 INLET (322404005)	713814052010	4	12	12	12
385311307	KIT, VG4 PLUMB (322404006) ^	713814052133	4	9.25	9.25	4
385311308	KIT, TANK INLET (322404006)	713814052140	2	7	5	4
385311309	OBSOLETE, SUBSTITUTE 385311475	713814052157	5	6	6	6
385311310	KIT, TPUMP-VALVE FIT/322404006	713814052164	4	6	6	6
385311311	KIT, T24 W/HARNESS (322404006)	713814052171	8	10	8	8
385311312	KIT, BASE 3606 PLUGIN CP'T 12V	713814052027	8	15	12	10
385311313	KIT, BASE 3606 PLUGIN CP'T 24V	713814052034	8	15	12	10
385311314	OBSOLETE, SUBSTITUTE 385311323	713814052102	1	5	5	2
385311315	KIT, NIPPLE-RH THREADS	713814052201	0.1	3	2	2
385311316	KIT, VALVE ADAPTER-RH THREADS	713814052218	0.5	3	2	2
385311317	KIT, PUMP ADAPT TO DIPTUBE FIT	713814052225	0.5	3	2	2
385311318	KIT, TANK MTG SPINDLE	713814052232	0.5	2	2	2
385311319	KIT, 210 WHT/SHIP-LOOSE ITEMS	713814052058	2	8	8	2
385311320	KIT, 210 BONE/SHIP-LOOSE ITEMS	713814052065	2	8	8	2
385311321	KIT, 110 WHT/SHIP-LOOSE ITEMS	713814052072	2	8	8	2
385311322	KIT, 110 BONE/SHIP-LOOSE ITEMS	713814052089	2	8	8	2

ITEM	DESCRIPTION	UPC	WGT	LEN	WID	HGT
385311323	KIT, PUMP COVER - SW	713814052119	1	5	5	2
385311324	KIT, SPUMP TOP CLOSE W/SCREWS	713814052256	3	6	6	6
385311326	KIT, CVT HD TANK REPL	713814072476	9	20	10.5	12
385311327	KIT, DB VALVE 1-1/2"-RED (2)	713814052492	0.01	7	5	0
385311328	KIT, SWIVEL ELBOW ASSY	713814052621	1	6	4	2
385311329	KIT, 1-1/2" PUMP ELBOW	713814052638	1	6	6	6
385311330	KIT, VENT ELBOW - 1-1/2"	713814052539	2	6	6	6
385311331	KIT, TKMGR WIRE HARNESS - 10'	713814052546	5	6	6	6
385311332	KIT, LEVEL IN'D (381231821)	713814052560	3	12	9	3
385311333	KIT, TRANS'N VG PLB(381231821)	713814052577	2	12	9	3
385311334	KIT, TRANS TPUMP PLB-381231821	713814052584	5	18.5	4.75	20
385311335	KIT, QK CON'T EL W/ ADPT	713814052669	1	6	6	6
385311336	KIT, VG MANIFOLD 322504001	713814052676	1	6	6	6
385311337	KIT, INLET ELBOW W/ ADAPT	713814052683	3	15.75	14.62	2.18
385311338	KIT, QK CON'T ELBOW	713814052690	1	6	6	6
385311339	KIT, RELAY-TK FULL (381233216)	713814052720	1.5	6	4	2
385311340	KIT, LEVEL IN'D (381231823/82)	713814052775	1	6	4	2
385311342	KIT, 180° INLET	713814052799	2	6	6	6
385311343	KIT, VGLP MANIFOLD (322502701)	713814052805	5	8	8	4
385311344	KIT, THREADED TANK INLET	713814052812	2	6	6	6
385311345	KIT, ASSY T-FITTING(322502701)	713814052829	3	8	8	4
385311346	KIT, TWCAP W/D'TSCH(322502701)	713814052836	1	24	4.75	4.75
385311347	KIT, TRANS'N VG PLB(381231127)	713814072483	3	12	9	3
385311348	KIT, TANK INLET	713814053147	1.5	7	5	4
385311349	KIT, VG MANIFOLD 322007301	713814053178	4	15	12	10
385311350	KIT, TW CAP-322007301	713814053185	1.5	0	0	0
385311351	KIT, INDLV FW-M4.375/E8.750	713814054212	1	24.5	5	5
385311352	KIT, INDLV FW-M3.250/E6.875	713814054229	1	24.5	5	5
385311353	KIT, INDLV FW-M3.500/E5.250	713814054236	1	24	5	5
385311354	KIT, INDLV FW-M5.375/E10.750	713814054243	1	24.5	5	5
385311355	KIT, INDLV FW-M10.000/E22.500	713814054250	1	0	0	0
385311356	KIT, INDLV FW-M7.250/E13.750	713814054267	1	24.5	5	5
385311357	KIT, INDLV FW-M6.250/E12.500	713814054274	1	0	0	0
385311358	KIT, INDLV FW-M4.250/E9.000	713814054281	1	24.5	5	5
385311359	KIT, INDLV WT-M5.375/E10.750	713814054298	1	24.5	5	5
385311360	KIT, INDLV WT-M3.250/E6.875	713814054304	1	24.5	5	5
385311361	KIT, INDLV WT-M4.625/E9.250	713814054311	1	24.5	5	5
385311362	KIT, INDLV WT-M3.500/E5.250	713814054328	1	9	5.5	5.5
385311363	KIT, INDLV WT-M4.375/E8.750	713814054335	1	24.5	5	5
385311364	KIT, INDLV WT-M1.875/E3.750	713814054342	1	24.5	5	5
385311365	KIT, INDLV WT-M3.500/E7.250	713814054359	1	8	8	4
385311366	KIT, INDLV WT-M5.500/E10.000	713814054366	1	24.5	5	5
385311367	KIT, VG OUTLET FITTING EXT	713814053277	1	6	4	2
385311368	KIT, SW'VL EL DIPTUBE EXT.	713814053284	5	4.75	4.75	24
385311369	KIT, LEVEL IN'D 27HTS W/DT	713814072490	2	24	4.75	4.75
385311370	KIT, LEVEL IN'D HTS W/DT-4020	713814072506	3	8	8	4
385311371	KIT, LEVEL IN'D (322504601/02)	713814072513	3	8	4	8
385311372	KIT, LEVEL IN'D (322502901/02)	713814072520	2	6	6	6
385311373	KIT, LEVEL IN'D (322405513/14)	713814072537	4	24	4.75	4.75
385311374	KIT, LEVEL IN'D(318018005/06)N	713814072544	3	0	0	0
385311375	KIT, LEVEL IN'D (322503401/02)	713814072551	2	6	4	2
385311376	KIT, LEVEL INDICATOR HOLE PLUG	713814053628	0.5	10	6	0.5
385311377	KIT, LEVEL IN'D (35G HULL)	713814072568	3	24	4.75	4.75
385311378	KIT, BOWL 4800 SHORT-WHITE	713814053635	25	26	20	21
385311379	KIT, BOWL 4800 SHORT-BONE	713814053642	25	26	20	21
385311380	KIT, BOWL 4800 TALL-WHITE	713814053659	30	26	20	21
385311381	KIT, BOWL 4800 TALL-BONE	713814053666	30	26	20	21
385311382	OBSOLETE, SUBSTITUTE 385311618	713814053673	5	16	15	3
385311383	KIT, SEAT-CV'R 4800-BONE	713814053680	5.5	16	15	3
385311384	KIT, CHECK VALVE W/CORR'G HOSE	713814053697	0.4	6	4	2
385311385	KIT, WATER VLV 4800-12VDC	713814053703	2	6	4	2

ITEM	DESCRIPTION	UPC	WGT	LEN	WID	HGT
385311386	KIT, WATER VLV 4800-24VDC	713814053710	2	6	4	2
385311390	KIT, MOTOR REP'L 4800-24VDC	713814053758	2	6	6	6
385311391	OBSOLETE, SUBSTITUTE 385311690	713814053765	1	6	4	2
385311392	KIT, DRIVE LINKAGE 4800	713814053772	1	7	5	4
385311393	KIT, FLUSH SPRING 4800	713814053789	0.5	6	6	1
385311394	KIT, MTG BRACKET 4800	713814053796	1	7	5	4
385311395	KIT, BASE 4806 PLUGIN COMP-12V	713814053802	6.5	18	12	12
385311396	KIT, BASE 4806 PLUGIN COMP-24V	713814053819	6	18	12	12
385311397	KIT, BASE 4809 PLUGIN COMP-12V	713814053826	5	18	12	12
385311398	KIT, BASE 4809 PLUGIN COMP-24V	713814053833	5	18	12	12
385311399	KIT, BASE 4848 PLUGIN COMP-12V	713814053840	7	18	12	12
385311400	KIT, BASE 4848 PLUGIN COMP-24V	713814053857	7	18	12	12
385311401	OBSOLETE, SUBSTITUTE 385343829	713814054021	3	18	15	3
385311402	OBSOLETE, SUBSTITUTE 385343831	713814054038	3	15.75	14.63	2.19
385311403	KIT, LEVEL IN'D (322402016)	713814054052	4	24	4.75	4.75
385311404	KIT, 180° INLET EL/SWIVEL NUT	713814054069	3	6	6	6
385311405	KIT, DIPTUBE EXT (322402016)	713814054076	4	24	4.75	4.75
385311406	KIT, LEVEL IN'D (28+ HTS)	713814072575	4	24	4.75	4.75
385311407	KIT, BOWL SEALS (BULK/50)	713814054557	23.6	15	12	10
385311408	OBSOLETE, SUBSTITUTE 385311395	713814054458	7	18	12	12
385311409	KIT, WALL MT SWITCH-GR/FL ONLY	713814054472	1	6	4	2
385311410	OBSOLETE, SUBSTITUTE 385311208	713814054601	5	8	8	5
385311411	KIT, UNIV DIPTUBE W/SWIVEL CON	713814054670	5	24	4.75	4.75
385311412	KIT, VG MANIFOLD 322504802	713814054687	3	8	8	4
385311413	KIT, OUTLET ASSY-STGT/SWVL CON	713814054694	4	6	6	6
385311414	KIT, VG OUTLET 322501401	713814054724	4	6	6	6
385311415	KIT, T-PUMP OUTLET 322501401	713814054731	4	7	5	4
385311416	KIT, LEVEL IN'D (322501401)	713814054748	4	6	4	2
385311417	KIT, BASE DRIVE ARMS	713814072582	1	6	4	2
385311418	KIT, 1" T-PUMP FIT - ELBOW	713814055165	1	6	4	2
385311419	KIT, 1" T-PUMP FIT-STRAIGHT	713814055172	1	8	8	4
385311420	KIT, SNAP-ON VAC SW'CH CVR-BLK	713814055035	0.5	6	5	3
385311421	KIT, DIPTUBE W/SWIVEL NUT	713814072599	4	24	4.75	4.75
385311422	KIT, PUMP COVER - TW	713814055271	0.5	2	3	4
385311423	KIT, TPUMP CONV S TO W - 12VDC	713814055288	5.75	9	5.5	5.5
385311424	KIT, TPUMP CONV S TO W - 24VDC	713814055295	8	9	5.5	5.5
385311426	KIT, 1-1/2" SWIVEL ELBOW	713814055189	2	6	6	6
385311427	KIT, EL TANK INLET LPVG 401208	713814055196	3	24	4.75	4.75
385311428	KIT, VENT FIT/ STRAIGHT 3/4"	713814055202	0.5	6	4	1
385311429	KIT, LINKAGE GUIDE BRACKET	713814055394	0.5	0	0	0
385311430	KIT, LEVEL IN'D (322002504)	713814055561	5	24	4.75	4.75
385311432	KIT, LEVEL IN'D (322508601/02)	713814055646	3	24	4.75	4.75
385311433	KIT, LEVEL IN'D (322503401/02)	713814055769	1	6	4	2
385311434	KIT, VENT ELBOW 1-1/2"	713814055776	1	6	4	2
385311435	KIT, VT4500 DIPTUBE W/ELBOW	713814055875	5	24	4.75	4.75
385311436	KIT, VACUUM SWITCH	713814055882	0.75	6	6	6
385311437	KIT, VT4500 MOUNTING FOOT	713814055899	4	10	6	2
385311438	KIT, VT4500 MOTOR ASSY	713814055905	6	6	6	6
385311439	KIT, VT4500 MOTOR REP'L	713814055912	6	7	5	4
385311440	KIT, VT4500 AIRPUMP ASSY	713814055929	1	6	4	2
385311441	KIT, VT4500 DIPTUBE STRAIGHT	713814055936	4	12	9	3
385311442	KIT, VT4500 ECCENTRIC KIT	713814055943	4	7	5	1
385311443	KIT, 3/4-FULL PNL & HARNESS	713814055950	5	7	5	4
385311444	KIT, VT4500 DIPTUBE 3W/SWIVEL	713814055967	4	12	9	3
385311445	KIT, SLIP-ON ADPT LH THREADS	713814055974	1	7	5	2
385311446	OBSOLETE, SUBSTITUTE 385310685	713814055981	8	14	14	14
385311447	OBSOLETE, SUBSTITUTE 385310783	713814055998	8	14	14	14
385311448	OBSOLETE, SUBSTITUTE 385310682	713814056001	1	9	9	4
385311449	OBSOLETE, SUBSTITUTE 385310762	713814056018	1	8	8	4
385311450	KIT, AIRPUMP & MOTOR COMP'T	713814056025	6	10	10	5
385311451	OBSOLETE, SUBSTITUTE 385310686	713814056032	8	14	14	14

ITEM	DESCRIPTION	UPC	WGT	LEN	WID	HGT
385311452	OBSOLETE, SUBSTITUTE 385310784	713814056049	8	18	12	12
385311453	OBSOLETE, SUBSTITUTE 385310975	713814056056	8	18	12	12
385311454	OBSOLETE, SUBSTITUTE 385310976	713814056063	8	18	12	12
385311455	KIT, VT4511 DISCHARGE ELBOW	713814072605	2	7	5	2
385311456	KIT, CHECK VALVE	713814056124	0.25	6	4	2
385311457	KIT, LEVEL IN'D (314115324)	713814056087	1	6	4	2
385311458	KIT, MACH'D SSUMP TK-314115324	713814056094	1	10	10	5
385311459	KIT, SSUMP LESS PUMP-314115324	713814056100	4	10	10	5
385311460	KIT, INLET ASSY VG4 TO TK (39)	713814056155	1	12	9	3
385311461	KIT, 3-WAY VALVE MANF'D 504901	713814056179	4	12	9	3
385311462	KIT, SEAL NO HOLES 2001 & NEWR	713814065591	0.45	8	11	0
385311463	KIT, 4800 CHINA MTG	713814056315	0.5	6	6	2
385311464	KIT, LEVEL IN'D (18 HTS)	713814056377	3	4.75	4.75	4.75
385311465	KIT, INLET EXT-VG4	713814056360	1	7	5	4
385311466	KIT, DIPTUBE EXT'N 322001001	713814056759	2	7	5	4
385311467	KIT, DB-90° ELBOW INLET	713814056766	1	7	5	4
385311468	KIT, INDLV FW-M7.000/E15.500	713814056780	1	24	5	5
385311469	KIT, INDLV WT-M6.000/E13.000	713814056797	1	24	5	5
385311470	KIT, INDLV GW-M2.000/E4.500	713814056803	1	24	5	5
385311471	KIT, BASE ASSY MO3011(PLUGIN)	713814065614	8	12	15	10
385311472	KIT, FIT'G STRAIGHT 1-1/2"MPT	713814065621	0.5	7	5	2
385311473	KIT, VG TANK INLET CONNECTION	713814065638	1	7	5	4
385311474	KIT, LPVG PLUMBING-381231132	713814065737	3	12	9	3
385311475	KIT, VALVE 3-WAY 1-1/2FPT	713814065744	2	6	6	6
385311476	KIT, SWIVEL CONNECT/ADPT	713814065751	2	8	8	4
385311477	KIT, PANEL CV'R DTM04-BLK	713814065768	0.13	6	4	2
385311478	KIT, PANEL CV'R DTM04-WHT	713814065775	0.13	6	4	2
385311479	KIT, PANEL CV'R DTM08-BLK	713814065782	0.13	6	4	2
385311480	KIT, PANEL CV'R STM08-WHT	713814065799	0.13	6	4	2
385311481	KIT, PANEL CV'R DTM12-BLK	713814065805	0.13	6	4	2
385311482	KIT, PANEL CV'R DTM12-WHT	713814065812	0.13	6	4	2
385311483	KIT, CIRCUIT PNL-DTM04	713814065829	0.25	0	0	0
385311484	KIT, CIRCUIT PNL-DTM08	713814065836	0.25	6	4	2
385311485	KIT, CIRCUIT PNL-DTM12	713814065843	0.25	6	4	2
385311486	KIT, BENT LEVER/CART-SH'T BASE	713814065850	1	6	6	8
385311488	KIT, LEVEL IN'D (322506903/04)	713814065942	2	24	4.75	4.75
385311489	KIT, LEVEL IN'D (322502701)	713814066055	2	12	9	3
385311490	KIT, LEVEL IN'D 10HTS W/AMP	713814066161	1	12	9	3
385311491	KIT, 90° VENT FILTER ELBOW	713814066123	0.5	6	6	1
385311492	KIT, DIPTUBE ASSEMBLY-SHORT		5	8	8	4
385311493	KIT, TANK LEVEL PNL 201-WHT	713814066185	3	7	5	4
385311494	KIT, TANK LEVEL PNL 202-WHT	713814066192	3	7	5	4
385311495	KIT, TANK LEVEL PNL 301-WHT	713814066208	3	7	5	4
385311496	KIT, TANK LEVEL PNL 302-WHT	713814066215	3	7	5	4
385311497	KIT, PL'B ASSY (381231196)	713814066239	5	15	12	10
385311498	KIT, LEVEL IN'D/115TK-345676	713814066246	3	24	4.75	4.75
385311499	KIT, INLET ELBOW 4"	713814066253	2	6	6	6
385311500	KIT, LEVEL IN'D (322407003)	713814066307	3	24	4.75	4.75
385311501	KIT, RETROFIT TW4 TO DTM	713814067359	1	6	4	2
385311502	KIT, SANISUMP INLET 314115412	713814066321	4	8	8	4
385311503	KIT, SSUMP TANK MACH 314115412	713814066338	4	15	12	10
385311504	KIT, SSUMP 1-1/2" INLET-115412	713814066345	3	8	8	4
385311506	KIT, SSUMP TK LESS 12V P-412	713814066369	6	15	12	10
385311507	KIT, LPVG W/AMP(322503504/05)	713814066741	13	32.75	11	16.5
385311508	KIT, T12 W/AMP (322503504/05)	713814066758	7	12	8	8
385311509	KIT, LEVEL IN'D AMP/503504/05	713814066765	3	12	9	4
385311510	KIT, TANK SANISUMP (314115512)	713814067199	4	18	12	12
385311511	KIT, MTG BRKT SSUMP(314115512)	713814067205	5	28.5	10	16
385311512	KIT, CONTROL MOD(314115512)	713814067212	3	10	10	5
385311513	KIT, LEVEL IN'D (28 HTS)	713814067229	2	12	9	3
385311520	KIT, PT COVER/SEAT-PARCH	713814067632	1.5	0	0	0

ITEM	DESCRIPTION	UPC	WGT	LEN	WID	HGT
385311521	KIT, PT COVER/SEAT-PLAT/WHT	713814067649	1.5	0	0	0
385311522	KIT, PT 962 HOLDING TK-PARCH	713814067656	2.917	0	0	0
385311523	KIT, PT 962 HOLDING TK-PLAT	713814067663	2.917	0	0	0
385311524	KIT, PT 966 HOLDING TK-PARCH	713814067670	4.5	0	0	0
385311525	KIT, PT 966 HOLDING TK-PLAT	713814067687	4.5	0	0	0
385311528	KIT, AIRPUMP ASSY 970	713814067762	0.5	0	0	0
385311529	KIT, SEAT & COVER 970	713814067779	1.5	0	0	0
385311530	KIT, WATER CAP 970	713814067786	0.1	6	5	2
385311531	KIT, TOP TANK ASSY 970	713814067793	7	0	0	0
385311532	KIT, HD TK SPOUT CAP 970	713814067809	0.5	0	0	0
385311533	KIT, HD TK SPOUT & CAP 970	713814067816	0.5	0	0	0
385311534	KIT, HD TK 972/974 - TAN	713814067823	3.62	0	0	0
385311535	KIT, HD TK 972/974 - GRAY	713814067830	3.62	0	0	0
385311536	KIT, HD TK 975/976 - TAN	713814067847	4.266	0	0	0
385311537	KIT, HD TK 975/976 - GRAY	713814067854	4.266	0	0	0
385311538	KIT, LOCKING HANDLE/970 - TAN	713814067861	0.161	0	0	0
385311539	KIT, LOCKING HANDLE/970 - GRAY	713814067878	0.131	0	0	0
385311540	KIT, PEDESTAL COVER-500H/WHT	713814067946	5	12	18	18
385311541	KIT, PEDESTAL COVER-500H/BONE	713814067953	5	12	18	18
385311542	OBSOLETE, SUBSTITUTE 385230335	713814067960	0.2	6	4	2
385311543	OBSOLETE, SUBSTITUTE 385319056	713814067977	3	12	9	3
385311544	OBSOLETE, SUBSTITUTE 385319057	713814067984	3	12	9	3
385311545	KIT, WATER VALVE ASSY-12V	713814067991	0.5	6	4	2
385311546	KIT, WATER VALVE ASSY-24V	713814068004	0.6	6	4	2
385311547	KIT, SUPPLY HOSE-4800	713814068011	0.4	12	9	2
385311548	KIT, 4800W MODE SWITCH	713814068196	2	7	5	0.5
385311549	KIT, 4800W MODE SWITCH MTG BRK	713814068202	1	6	6	0.5
385311550	KIT, PIPE COUPLING INLET	713814068219	0.5	7	5	2
385311551	KIT, SHORT PAD/PEDAL COVER-WHT	713814068240	1	9	5.5	5.5
385311552	KIT, SHORT PAD/PEDAL COVER-BNE	713814068257	1	9	9	4
385311553	KIT, SHORT PAD LEVER/CART	713814068264	1.5	9	9	4
385311554	KIT, SHORT PAD/PEDAL/CART-PLAT	713814068318	1	9	9	4
385311555	KIT, SHORT PAD/PEDAL/CART-EB'Y	713814068325	1	9	9	4
385311556	KIT, LEVEL IN'D (322405102/03)	713814068356	2	12	9	3
385311557	KIT, LPVG ELBOW SWIVEL LONG	713814068394	1	7	5	3
385311558	KIT, BASE 506SP - BONE	713814068400	8	14	9.87	6.5
385311559	KIT, BASE SH'T GRAV S.PED-WHT	713814068424	8	15	12	10
385311560	KIT, BASE SH'T GRAV S.PED-BON	713814068431	8	15	12	10
385311561	KIT, BASE SH'T GRAV S.PED-PLT	713814068448	8	15	12	10
385311562	KIT, BASE SH'T GRAV S.PED-EBY	713814068455	8	15	12	10
385311563	KIT, LEVEL IN'D (35 HTS)	713814068486	2	24	4.75	4.75
385311565	KIT, RELAY12 (381233226)	713814068639	1	6	4	2
385311566	KIT, DTM04/BLK - CHAP	713814068653	2	6	6	6
385311568	KIT, TW CAP GREY WT/CHAP 40	713814068677	5	24	4.75	4.75
385311569	KIT, TW CAP FRESH WT/CHAP 40	713814068684	5	24	4.75	4.75
385311570	KIT, LEVEL IN'D(322003904/005)	713814068691	5	24	4.75	4.75
385311571	KIT, LEVEL IN'D (21 HTS)	713814068844	3	24	4.75	4.75
385311572	KIT, DIPTUBE W/TEE FIT'G-21HTS	713814068851	4	12	18	12
385311573	KIT, DIPTUBE 90° ELBOW	713814068875	3	24	4.75	4.75
385311574	KIT, OUTLET TO TANK/QUICK CON	713814068899	3	12	9	3
385311575	KIT, TPUMP DIPTUBE EL/SWIV CON	713814068905	4	24	4.75	4.75
385311576	KIT, LEVEL IN'D-18.5TK 344500	713814068950	3	12	9	3
385311577	KIT, SWIVEL DIP/W FITTING ASSY	713814068974	5	24	4.75	4.75
385311578	KIT, LEVEL IN'D (4068V)	713814069018	5	24	4.75	4.75
385311579	KIT, 12VDC RELAY	713814069186	0.1	0	0	0
385311580	KIT, 24VDC RELAY	713814069193	1	0	0	0
385311581	KIT, DB VALVE 2" BLACK (4)	713814069339	0.25	0	0	0
385311582	KIT, DB VALVE 2" M-RED (4)	713814069346	0.25	0	0	0
385311583	KIT, 180° EL W/SWIVEL CONNECT	713814069261	2	6	6	6
385311584	KIT, DIPTUBE STRAIGHT FITTING	713814069278	4	24	2.75	2.75
385311585	KIT, LEVEL IN'D (4053 TK)	713814069391	5	24	4.75	4.75

ITEM	DESCRIPTION	UPC	WGT	LEN	WID	HGT
385311586	KIT, LEVEL IN'D (37 GAL HD TK)	713814069452	3	8	8	4
385311587	KIT, DIPTUBE 90° LRG EL GLUED	713814069469	2	24	4.75	4.75
385311588	KIT, V. FILT REPL 404005/008	713814072612	1	12	9	3
385311589	KIT, DTMG CM 24V-MULTI HD/AS	713814072629	2	9	9	4
385311590	KIT, WIRING HARN/8LT - AZURE	713814072636	2	9	9	4
385311591	KIT, TW CAP FRESH WT TK-AZURE	713814072643	2	24	5	5
385311592	KIT, TW CAP WASTE TK-AZURE	713814072650	2	24	5	5
385311593	KIT, DIPTUBE - AZURE	713814072667	1	24	5	5
385311594	KIT, WIRE HARN/12LT - AZURE	713814072674	2	9	9	4
385311595	KIT, LPVG-W-PUMP ASSY 12VDC	713814069902	8	10	6	6
385311596	KIT, DIP'T LRG SWEEP EL/NUT	713814069827	4	24	4.75	4.75
385311597	KIT, CON'TO SEAT & CVR-EBONY	713814069834	7	0	0	0
385311599	KIT, BASE 4310/4410 ASSY-EBONY	713814069858	8	15	12	10
385311600	KIT, BASE 4300/4400 COMP'T-EBY	713814069865	8	0	0	0
385311601	KIT, LPVG QUICK CONNECT STR'T	713814069889	0.5	6	4	2
385311602	KIT, LPVG QUICK CONNECT ELBOW	713814069896	0.5	7	5	4
385311603	KIT, TW CAP W/O VENT(D) 4055H	713814069940	4	24	4.75	4.75
385311604	KIT, TWCAP W/O VENT/DT-4030	713814072681	4	12	10	8
385311605	KIT, LEVEL IN'D (4068H)	713814072698	3	12	9	3
385311606	KIT, DIPTUBE/ELBOW/SEAL 9-5/8	713814069995	4	24	4.75	4.75
385311607	KIT, DIPTUBE/ELBOW/SEAL11-3/16	713814070007	5	24	4.75	4.75
385311608	KIT, INLET ELBOW (1PC)	713814070014	0.5	0	0	0
385311609	KIT, LEVEL IN'D(381231802/70G)	713814070106	5	24	4.75	4.75
385311610	KIT, DTD KEY SWITCH OFF/ON/MOM	713814070137	4	6	6	2
385311611	KIT, DTD01 PANEL COVER	713814070144	1	6	6	2
385311612	KIT, DTD MOUNTING HARDWARE	713814070151	1	6	6	1
385311613	KIT, DTD MOUNTING FRAME	713814070168	2	6	4	2
385311614	KIT, DTD01 CIRCUITBD 12VDC	713814070175	3	7	5	4
385311615	KIT, DTD01 CIRCUITBD 24VDC	713814070182	3	7	5	4
385311616	KIT, DTD CIRCUITBD HOUSING	713814070199	1	6	4	2
385311617	KIT, TW CAP W/O VENT-ORING	713814070212	1	7	5	3
385311618	KIT, SEAT/CVR SLOW-CLOSE/WHT	713814074357	5	18.5	15	2.5
385311619	KIT, SEAT/CVR SLOW-CLOSE/BONE	713814074364	5	18.5	15	2.5
385311620	KIT, DB VALVE 1-1/2"-BLACK (1)	713814074371	0.5	6	6	2
385311623	KIT,TK LVL/AMP M 7-1/2 E15-3/4	713814070946	4	24	4.75	4.75
385311624	KIT, DIPTUBE/ELBOW/SEAL-U'VSAL	713814070953	6	24	4.75	4.75
385311625	KIT,TK LVL/AMP M 3-7/8 E 7-7/8	713814070991	4	24	4.75	4.75
385311626	KIT, ADT VG-TK INLT(501801/02)	713814071004	4	12	9	3
385311627	KIT, PLUG 3/4"	713814071578	3	7	5	2
385311628	KIT, ADAPT 1/2"FPT X 1/2"FPT	713814071585	0.5	6	6	2
385311629	KIT, WHARN/DEUT-MARITEC 5'	713814071622	1	9	9	4
385311630	KIT, PLUMBING ASSY 322506905	713814071677	3	12	9	3
385311641	KIT, WATER VALVE 300	713814072827	0.15	7	5	1
385311646	KIT, SEAT/CVR-WHT 300	713814072872	2.8	21	19	5
385311647	KIT, SEAT/CVR-BONE 300	713814072889	3	21	19	5
385311648	KIT, SEAT BRKT COVERS-WHT 300	713814072896	0.05	5	5	1
385311649	KIT, SEAT BRKT COVERS-BONE 300	713814072902	0.05	5	5	1
385311650	KIT, SEAT MTG HARD-WHT 300	713814072919	0.05	5	5	2
385311651	KIT, SEAT MTG HARD-BONE 300	713814072926	0.05	5	5	2
385311652	KIT, MTG HARDWARE-WHT 300	713814072933	0.5	5	5	2
385311653	KIT, MTG HARDWARE-BONE 300	713814072940	0.5	5	5	2
385311654	KIT, MTG HARD CAP-WHT 300	713814072957	0.05	5	5	2
385311655	KIT, MTG HARD CAP-BONE 300	713814072964	0.05	5	5	2
385311656	KIT, PEDAL CVR CAP-WHT 300	713814072971	0.05	5	5	2
385311657	KIT, PEDAL CVR-BONE 300	713814072988	0.05	5	5	2
385311658	KIT, FLUSH BALL SEAL 310	713814073398	0.05	7	5	0.5
385311659	KIT, VAC TK MTG BRKT	713814073404	1.5	9	9	4
385311660	KIT, VAC TK MODULE SYS'T	713814073411	9	22.5	10	10
385311661	KIT, CONTROL MOD VTK SYS'T	713814073428	5	10	10	5
385311662	KIT, PLUMBING-317324002	713814073435	0	0	0	0
385311663	KIT, LEVEL IN'D (5"/10" DT)	713814073497	3	12	9	3

ITEM	DESCRIPTION	UPC	WGT	LEN	WID	HGT
385311664	KIT, PANEL CV'R DTMF-BLK	713814073534	0.5	6	6	1
385311665	KIT, PANEL CV'R DTMF-WHT	713814073541	0.5	6	6	1
385311666	KIT, CIRCUIT PNL-DTM04F	713814073558	0.5	6	10	1
385311667	KIT, MODULE M-PUMP INLET ASSY	713814073565	5	18.5	20.63	4.75
385311668	KIT, MODULE M-PUMP OUTLET ASSY	713814073572	5	12	9	3
385311669	KIT, MODULE M-PUMP CONTROL MOD	713814073589	5	8	8	4
385311670	KIT, MODULE M-PUMP ELBOW ASSY	713814073596	3	7	5	4
385311671	KIT, TW CAP W/ VENT-ORING	713814073602	1	5	6	3
385311672	KIT, LEVEL IN'D-322001802/1803	713814073725	4	24	4.75	4.75
385311673	KIT, FLUSH ACUATION SWITCH	713814074609	0.5	1	1	0.5
385311674	KIT, DTD02 PNL COVER-BLK	713814073923	0.5	7	5	1
385311675	KIT, DTD02 PNL COVER-WHT	713814073930	0.5	7	5	1
385311676	KIT, DTD02 CIRCUIT ASSY-12VDC	713814073947	2	7	5	4
385311677	KIT, DTD02 CIRCUIT ASSY-24VDC	713814073954	0	0	0	0
385311678	KIT, DTD01A PNL COVER-BLK	713814073961	0.5	7	5	1
385311679	KIT, DTD01A PNL COVER-WHT	713814073978	0.5	7	5	1
385311680	KIT, DTD01A CIRCUIT ASSY-12VDC	713814073985	2	7	5	4
385311681	KIT, DTD01A CIRCUIT ASSY-24VDC	713814073992	2	7	5	4
385311682	KIT, DTD02A PNL COVER-BLK	713814074005	0.5	7	5	1
385311683	KIT, DTD02A PNL COVER-WHT	713814074012	0.5	7	5	1
385311684	KIT, DTD02A CIRCUIT ASSY-12VDC	713814074029	2	7	5	4
385311685	KIT, DTD02A CIRCUIT ASSY-24VDC	713814074036	2	7	5	4
385311686	KIT, BULK-BALL/B.SFT/CART(25)	713814074074	5.5	18	12	12
385311687	KIT, TWCAP EXT FULL-322505001	713814074319	4	48	4.75	4.75
385311688	KIT, TWCAP EXT FULL-322507001	713814074326	4	48	4.75	4.75
385311689	KIT, TWCAP ET FULL-322002502/3	713814074333	4	24	4.75	4.75
385311690	KIT, CIRUITBD MECHANICAL BASE	713814074616	1	6	4	2
385311691	KIT, 4800 MODE SWITCH	713814074623	1	6	4	2
385311692	KIT, LEVEL IN'D (VT4500)	713814074708	0.5	6	4	2
385311693	KIT, LEVEL IN'D (10 HTS)	713814074685	1	12	9	3
385311694	KIT, SEAT-CV'R 4800 WOOD-WHITE	713814074715	10	18.5	15	2.5
385311695	KIT, SEAT-CV'R 4800 WOOD-BONE	713814074722	10	18.5	15	2.5
385311696	KIT, 310 BONE/SHIP-LOOSE ITEMS	713814075095	0.5	0	0	0
385311697	KIT, 310 WHT/SHIP-LOOSE ITEMS	713814075101	0.5	0	0	0
385311698	KIT, DIP'T LRG SWEEP EL/LG NUT		6	24	4.75	4.75
385311699	KIT, TWCAP W/DT (322403017)		5	24	4.75	4.75
385311700	KIT, LEVEL IN'D-322510001	713814075255	5	24	4.75	4.75
385311701	KIT, LEVEL IN'D-322505201	713814075262	5	24	4.75	4.75
385311702	KIT, 8100 FLUSH SWITCH ASSY	713814075279	0.25	6	6	6
385311703	KIT, 8700 FLUSH HAND SW/CABLE		0.5	6	4	2
385311704	KIT, 8700 FLUSH HAND ASY/CABLE		0.5	6	4	2
385311705	KIT, 8700 WATER VALVE MTG		0.5	6	6	2
385311706	KIT, 8700 PUMP OUTLET TUBE		1	10	10	5
385311707	KIT, MAC BOWLOUT FLAP'R VALVE		0.025	6	6	0.5
385311708	KIT, 8700 BOWL OUTLET TUBE		1	14	10	7
385311709	KIT, WATER VALVE-12VDC RETRO	713814078836	1	7	5	4
385311710	KIT, WATER VALVE-24VDC RETRO	713814078843	1	7	5	4
385311711	KIT, BASE 146-WHITE	713814075354	5	12	12	18
385311712	KIT, BASE 146-BONE	713814075361	5	12	12	18
385311713	KIT, DISCHARGE 146-ECOVAC	713814075378	3	7	5	4
385311714	KIT, W'ADPT--3/6DT-8DT	713814075781	1	6	4	2
385311715	KIT, CHECK VALVE W/HOSE-MT BRK		0	0	0	0
385311716	KIT, BASE 4806W	713814075798	8	18	12	12
385311717	KIT, 1/2" FPT SWIVEL ELBOW	713814075835	0.25	6	6	1
385311718	KIT, 310 WATER LINE ADAPTER	713814077174	0.5	6	4	2
385311719	KIT, 310 MOUNTING ADPATER-WHT	713814077365	3	15.75	14.63	2.19
385311720	KIT, 310 MOUNTING ADAPTER-BONE	713814077372	3	15.75	14.63	2.19
385311721	KIT, BIDET FLUSH VALVE	713814075989	3	7	5	4
385311722	KIT, BIDET NOZZLE	713814075996	1	7	5	1
385311723	KIT, BOWL 8900 ST W/BIDET-WHT	713814076009	30	25	19.5	18
385311724	KIT, BOWL 8900 ST W/BIDET-BONE	713814076016	30	25	19.5	18

ITEM	DESCRIPTION	UPC	WGT	LEN	WID	HGT
385311725	KIT, BOWL 8900 TL W/BIDET-WHT	713814076023	35	26	20	22
385311726	KIT, BOWL 8900 TL W/BIDET-BONE	713814076030	35	26	20	22
385311727	KIT, BIDET CHECKVALVE		0.5	7	5	1
385311728	KIT, CONVER'N 8900 12V TO 24V		5.05	9	5.5	5.5
385311729	KIT, BASE 4310/4410 COMP'T-WHT	713814076450	8	18	12	12
385311730	KIT, BOWL 4300/4400/4700-WHITE	713814076467	55	23	14.75	19
385311731	KIT, BOWL 4300/4400/4700-BONE	713814076474	55	23	14.75	19
385311732	KIT, BOWL 4300/4400/4700-EBONY	713814076481	55	23	14.75	19
385311733	KIT, M.OVERRIDE ROD GUIDE-WHT	713814076498	0.5	7	5	1
385311734	KIT, M.OVERRIDE ROD GUIDE-BONE	713814076504	0.5	7	5	1
385311735	KIT, M.OVERRIDE ROD GUIDE-EBY	713814076511	0.5	7	5	1
385311736	KIT, M.OVERRIDE ASSY 4310/4410	713814076528	1	7	5	2
385311737	KIT, BASE 4310/4410 COMP'T-EBY	713814076535	8	18	12	12
385311738	KIT, BASE 4829 W/BIDET COMP-12	713814076702	8	18	12	12
385311739	KIT, BASE 4829 W/BIDET COMP-24	713814076719	8	18	12	12
385311740	KIT, BASE 4826 W/BIDET COMP-12	713814076726	8	18	12	12
385311741	KIT, BASE 4826 W/BIDET COMP-24	713814076733	8	18	12	12
385311742	KIT, BASE 4828 W/BIDET COMP-12	713814076740	8	18	12	12
385311743	KIT, BASE 4828 W/BIDET COMP-24	713814076757	8	18	12	12
385311744	KIT, BOWL 4800 TL W/BIDET-WHT	713814076764	68	26	20	22
385311745	KIT, BOWL 4800 TL W/BIDET-BONE	713814076771	68	26	20	22
385311746	KIT, BOWL 4800 ST W/BIDET-WHT	713814076788	60	26	20	22
385311747	KIT, BOWL 4800 ST W/BIDET-BONE	713814076795	60	26	20	22
385311748	KIT, BASE 4709 12VDC	713814076924	8	18	12	12
385311749	KIT, BASE 4709-24VDC	713814076931	8	18	12	12
385311750	KIT, OV'RIDE SWITCH HOUS'G-WHT	713814076948	0.5	6	6	1
385311751	KIT, OV'RIDE SWITCH HOUS'G-BON	713814076955	0.5	0	0	0
385311752	KIT, MAN OV'RIDE SWITCH ASSY	713814076962	0.5	5	7	1
385311753	KIT, 4700 FLSH/STAT SPLIT HARN	713814076979	1	2	4	6
385311754	KIT, BASE 4748-12VDC	713814076986	8	18	12	12
385311755	KIT, BASE 4748-24VDC	713814076993	8	18	12	12
385311756	KIT, INLET ASSY (322501501)	713814077075	4	15	12	10
385311757	KIT, LEVEL IN'D (322501501)	713814077082	2	7	5	4
385311758	KIT, BOWL 8600 TALL-WHT	713814077242	35	26	20	22
385311759	KIT, BOWL 8600 TALL-BONE	713814077259	35	26	20	22
385311760	KIT, PUMP OUTLET TUBE-8600	713814077266	2	15	12	10
385311761	KIT, BOWL OUTLET TUBE-8600	713814077273	2	14	10	6.5
385311762	KIT, MOTOR SUPT STRAP-26"	713814077280	0.5	10	6	1
385311763	KIT, BOWL 8600 SHORT-WHT	713814077297	30	25	19.5	18
385311764	KIT, BOWL 8600 SHORT-BONE	713814077303	30	25	19.5	18
385311765	KIT, TWCAP ASSY W/VENT	713814077747	1.5	6	6	6
385311766	KIT, TWCAP ASSY W/O VENT	713814077754	1.5	6	6	6
385311767	KIT, 2" VENTED LOOP; SS	713814077488	2	14	9.88	6.5
385311768	KIT, 8600 SHORT BOWL-WHITE	713814077495	36	25	19.5	18
385311769	KIT, 8600 SHORT BOWL-BONE	713814077501	36	25	19.5	18
385311770	KIT, VENT ELBOW	713814077648	0.025	6	6	1
385311771	KIT, DBL QUARTER ELB/PIPE	713814077761	0.25	6	6	6
385311772	KIT, BASE '09/METAL LEVER-WHT	713814077709	8	18	12	12
385311774	KIT, RELAY SPDT 12V VF4		0.5	6	4	2
385311775	KIT,SSUMP TK/NO PUMP-314115001		5	18	12	12
385311776	KIT, PLUMB'G SANIS'P-314115001	713814077938	3	12	9	3
385311777	KIT, SUPPLY HOSE-FEM THD 4800	713814077945	2	12	9	2
385311778	KIT, TUBE OUTLET TALL-M'FLUSH	713814077952	1	10	8	2
385311779	KIT, MAC MOTOR MTG STRAP-32"	713814077969	0.5	10	6	2
385311780	KIT, BRASS SPINDLES BULK 100PC	713814077976	1.95	0	0	0
385311781	KIT, 8700 FLUSH SWITCH CABLE	713814078010	4	12	18	2
385311782	KIT, PLUMB'G DIPT-PUMP 39HTS	713814078034	2	8	6	2
385311783	KIT, DTD02-322003907	713814078041	1	6	6	4
385311784	KIT, VG PLUMB'G 322003908	713814078249	4	9	6	3
385311785	KIT, CIRCUITBREAKER 10 AMP	713814078270	0.05	3	3	2
385311786	KIT, CIRCUITBREAKER 5 AMP	713814078287	0.5	3	3	2

ITEM	DESCRIPTION	UPC	WGT	LEN	WID	HGT
385311787	KIT, BEZEL/OVERLAY BLK-DVS02	713814078294	0.5	3	3	2
385311788	KIT, BEZEL/OVERLAY WHT-DVS02	713814078300	0.5	3	3	2
385311789	KIT, C'BOARD 12VDC-DVS02	713814078317	1	4	4	4
385311790	KIT, C'BOARD 24VDC-DVS02	713814078324	1	4	4	4
385311791	KIT, DIPTUBE W/3-WAY ELBOW	713814078348	5	15	12	10
385311792	KIT, LEVEL IN'D (322404013)		3	12	9	2
385311793	KIT, DIPTUBE VHT5201	713814079055	1.9	0	0	0
385311794	KIT, SVS INLET ELBOW	713814079062	0.5	0	0	0
385311795	KIT, SVS AIR PUMP MTG HARDWARE	713814079079	0.25	0	0	0
385311798	KIT, RELAY HARNESS (381233325)	713814078508	2	10	6	2
385311799	KIT, M-PUMP COVER HARDWARE	713814078515	0.34	0	0	0
385311800	KIT, M-PUMP COVER & HARDWARE	713814078522	2.6	0	0	0
385311801	KIT, MPUMP GEAR REDUCER VENT	713814078539	0.24	0	0	0
385311802	KIT, MTR 1/2HP-115V-60HZ-TEFC	713814078546	20.4	0	0	0
385311803	KIT, MTR 1/2HP-115V-50HZ-TEFC	713814078553	26.2	0	0	0
385311804	KIT, MTR 1/2HP-115V-60HZ-EXPRF	713814078560	26.2	0	0	0
385311805	KIT, MTR 1/2HP-115V-50HZ-EXPRF	713814078577	26.4	0	0	0
385311806	KIT, MTR 1/2HP-12VDC	713814078584	26.4	0	0	0
385311807	KIT, MTR 1/2HP-24VDC	713814078591	26.4	0	0	0
385311808	KIT, MTR 3/4HP-115V-60HZ-TEFC	713814078607	30.7	0	0	0
385311809	KIT, MTR 3/4HP-115V-50HZ-TEFC	713814078614	36.5	0	0	0
385311810	KIT, MTR 3/4HP-115V-60HZ-EXPRF	713814078621	36.5	0	0	0
385311811	KIT, MTR 3/4HP-115V-50HZ-EXPRF	713814078638	36.5	0	0	0
385311812	KIT, MPUMP GEAR RED'R 20:1	713814078645	29	0	0	0
385311813	KIT, MPUMP GEAR RED'R 30:1	713814078652	29	0	0	0
385311814	KIT, MPUMP MOTOR MTG HARDWARE	713814078669	0.061	0	0	0
385311815	KIT, MPUMP OUTPUT SHAFT/KEY	713814078676	1.37	0	0	0
385311816	KIT, MPUMP ECCENTRIC	713814078683	0.98	0	0	0
385311817	KIT, MPUMP CONNECTING ROD	713814078690	1.18	0	0	0
385311818	KIT, MPUMP TOP CLOSURE	713814078706	7.25	0	0	0
385311819	KIT, MPUMP TOP-CLOSE MTG HARD	713814078713	0.5	0	0	0
385311820	KIT, MPUMP GEAR RED'R MTG HARD	713814078720	0.45	0	0	0
385311821	KIT, MPUMP UPPER DIAP'H PLATE	713814078737	1.9	0	0	0
385311822	KIT, MPUMP DIAPHRAGM	713814078744	0.8	0	0	0
385311823	KIT, MPUMP LOWER DIAP'H PLATE	713814078751	1.3	0	0	0
385311824	KIT, MPUMP CONNECT'G ROD SCREW	713814078768	0.27	0	0	0
385311825	KIT, MPUMP VALVE HS'G MTG HARD	713814078775	0.4	0	0	0
385311826	KIT, INLET FLG 1-1/2"FMAL NPT	713814078782	1.2	0	0	0
385311827	KIT, MPUMP VALVE HOUSING	713814078799	2.26	0	0	0
385311828	KIT, MPUMP MTG PLATE/HARDWARE	713814078805	2.7	0	0	0
385311829	KIT, MPUMP BODY/MTG PLATE/HARD	713814078812	14	0	0	0
385311830	KIT, OUTLT FLG 1-1/2"FMAL NPT	713814078829	2.6	0	0	0
385311831	KIT, B-PUMP DIAPHRAGM	713814078881	0.08	8	8	4
385311832	KIT, TANK LEVEL VHT 5200/DT	713814079109	1	0	0	0
385311833	KIT, 3/4 FULL PANEL/DT	713814079116	0.25	0	0	0
385311834	KIT, VHT5200 TKLEVEL HARN W/DT	713814079123	1.5	0	0	0
385311835	KIT, BULK 'LIFT TO ADD' LABEL	713814079192	0.024	5	7	0
385311836	KIT, BULK-ORING 2"X2.25"X.125"	713814079208	0.049	6	6	0
385311837	KIT, BULK-ORING 3"X3.25"X.125"	713814079215	0.07	6	6	0
385311838	KIT, BULK 1-1/2" SL GROM'T(10)	713814079222	1.024	9	12	0
385311839	KIT, BULK 1/2" SL GROM'T (10)	713814079239	0.178	5	7	0
385311840	KIT, BULK 2" SL GROM'T (10)	713814079246	1.331	9	12	0
385311841	KIT, BULK-ORING SLIDE VALVE	713814079253	1.47	9	12	0
385311842	KIT, BULK-OPR INSTRUCTIONS VF	713814079260	0.024	5	7	0
385311843	KIT, T-PUMP VALVE NIPPLE	713814079277	0.189	5	7	0
385311844	KIT, S-PUMP BODY	713814079284	1.095	8	8	4
385311845	KIT, CAP VINYL 2.125-28 GRN	713814079291	0.045	5	7	0
385311846	KIT, 3.75 HOSE CLAMP	713814079307	0.135	5	7	0
385311847	KIT, RELAY SPDT 12V 40/30 AMP	713814079314	0.077	6	6	0
385311848	KIT, KEY SWITCH SP 3-POSTION	713814079321	0.114	6	6	0
385311849	KIT, BULK-REP'L POP 310 CARTON	713814079338	3.909	25.75	20.25	25

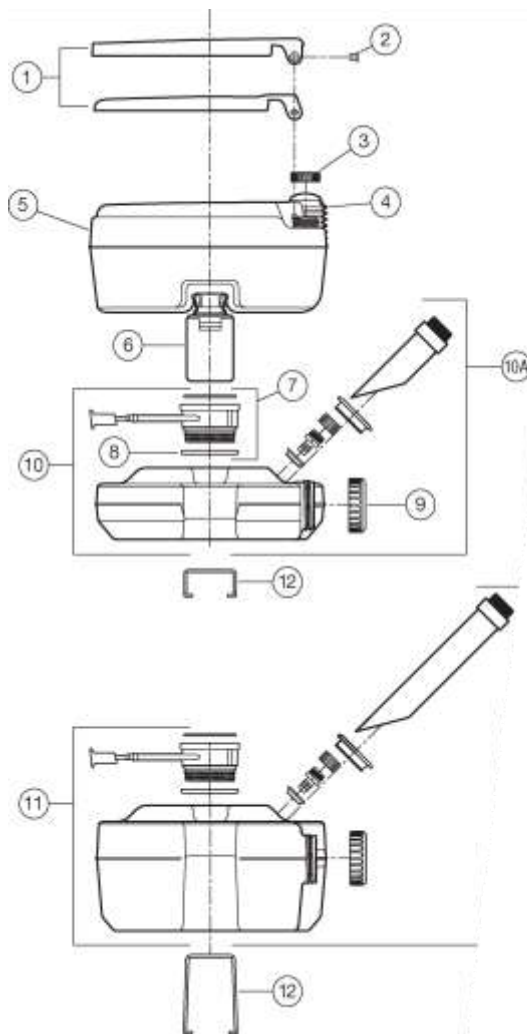
ITEM	DESCRIPTION	UPC	WGT	LEN	WID	HGT
385311850	KIT, BULK-FLANGED ADAPTER (50)	713814079345	13.35	15	12	10
385311851	KIT, W'VALVE 12V-8640/49/80/89	713814079437	1	7	5	2
385311852	KIT, W'VALVE 24V-8640/49/80/89	713814079444	1	7	5	2
385311853	KIT, BOWL SHORT 864086/49-WHT	713814079451	36	25	19.5	18
385311854	KIT, BOWL TALL 8680/8689-WHT	713814079468	35	26	20	22
385311856	KIT, PL'G FITTING ASSY	713814079802	2	0	0	0
385311857	KIT, TK LEVELS-DT EMF (4012)	713814079819	1	0	0	0
385311858	KIT, T-PUMP BODY	713814081621	1.095	8	8	4
385311860	KIT, BULK FLOOR FLANGE GKT-175	713814081645	18	17	15	16
385311865	KIT, BULK-SPUMP NIPPLE (20)	713814081843	2.184	9	9	4
385311866	KIT, BULK-SPUMP VALVE ADT (20)	713814081850	2.087	8	8	4
385311867	KIT, BOWL 4600 SHORT-WHT	713814082154	30	26	20	21
385311868	KIT, BOWL 4600 SHORT-BONE	713814082161	30	26	20	21
385311869	KIT, CORRUGATED HOSE	713814082178	0.25	0	0	0
385311870	KIT, BOWL 4600 TALL-WHITE	713814082185	55	23	14.75	19
385311871	KIT, BOWL 4600 TALL-BONE	713814082192	55	23	14.75	19
385311875	KIT, MF CONTROL MOD - (DBH)	713814082208	3	0	0	0
385311876	KIT, TANK SSUMP-314115002	713814197827	2	0	0	0
385311877	KIT, 1" VENT FITTING	713814197834	0.25	0	0	0
385311878	KIT,SSUMP TK/NO PUMP-314115002	713814197841	5	0	0	0
385311887	KIT, SEAT/CVR SLOW-CLS RD/WHT	713814199357	4	0	0	0
385311893	KIT, BASE '08/PLASTIC PED-WHT	713814199524	8	0	0	0
385311894	KIT, BASE '08/PLASTIC PED-BONE	713814199531	8	0	0	0
385311898	KIT, 1-1/2" HOSE CLAMPS	713814201029	0.25	0	0	0
385311899	KIT, TEE FITTING OUTLET	713814201050	0.6	0	0	0
385311901	KIT, TERM BLK/WIR'R-302481510	713814201098	1	0	0	0
385311902	KIT, BASE 4810 PGIN CPT-12V	713814201104	6.5	0	0	0
385311934	KIT, BOWL 8700-WHITE	713814202620	60	23.5	15.5	21.5
385311935	KIT, BOWL 8700-BONE	713814202637	60	23.5	15.5	21.5
385311936	KIT, BOWL 8700-EBONY	713814202644	60	23.5	15.5	21.5
385314349	KIT, WATER VALVE	87735102483	0.2	8	5	0
385314362	KIT, 911-M28 VENT FITTING	87735105699	1	1.5	1.5	6
385316140	KIT, SEAL W/HOLES 2000 & OLDER	87735102384	0.45	8	11	0
385316323	KIT, VACUFLUSH MOUNTING	87735105729	1	1	1	1
385316906	KIT, VACUUM BREAKER	87735102407	0.1	7	5	2
385317001	DISPLAY, VACUFLUSH W/PWR SPLY		38	0	0	0
385317002	DISPLAY, VACUFLUSH W/OPWR SPLY		38	0	0	0
385318032	KIT, VACUUM TANK SWITCH	87735105767	1	7	6	5
385318065	KIT, VAC BRK-W/EXT	87735102414	0.1	7	5	2
385318162	KIT, BALL/SHAFT/CART-WHITE	87735102391	0.3	8	3	10
385318714	KIT, DO NOT FLUSH PANEL	87735105781	1	3	3	3
385318741	KIT, FUNNEL '08	87735105798	4	3	3	3
385318864	KIT, FUNNEL 506/806/706	87735105804	1.3	3	3	3
385319003	KIT, 900 CONVERSION	87735102667	1	3	3	3
385319027	KIT, MOUNTING CRADLE-911M28	87735105828	4	0	0	0
385319039	KIT, O'RING-PUMP REPLACEMENT	87735105880	1	3	3	3
385319053	KIT, NOISE ISOLATION	87735105903	1	3	3	3
385319054	KIT, VAC BREAK W/SPRAY-WHITE	87735102490	0.85	10	9	2.5
385319055	KIT, VAC BREAK W/SPRAY 500 WHT	87735102506	0.8	10	9	2.5
385319056	KIT, VAC BREAKER W/SPRAY-CHR	713814047139	1	10	9	2.5
385319057	KIT, VAC BREAKER W/SPRAY-EBONY		1	8	6	2
385320005	KIT, 970 SERIES HOLDDOWN BRKT	713814067885	0.5	6	4	2
385320006	KIT, MSD FITTING SMALL TK/970	713814055318	0.55	0	0	0
385320007	KIT, MSD FITTING LARGE TK/970	713814055325	0.4	0	0	0
385320008	KIT, FITTINGS-ELBOW/HOSE ADPT	713814054991	1	7	5	4
385320011	OBSOLETE, SUBSTITUTE 302148111	713814066376	7	18	12	12
385320014	SANITATION HOSE LUBE (50)	713814068608	0.9	7	5	4
385320017	KIT, CUSTOM HOSE ADPT-50 PACK	713814075767	5	0	0	0
385320018	KIT, VG4 RIGID FITTING	713814077044	0.5	6	4	2
385320873	KIT, BULK LEVER FLUSH TALL(10)	713814198350	7.5	0	0	0
385321549	KIT, BULK SEAL FLANGE (50)	713814198367	5.5	0	0	0

ITEM	DESCRIPTION	UPC	WGT	LEN	WID	HGT
385340177	KIT, SUPPLY HOSE-BONE	713814046835	0.5	8	8	4
385341513	KIT, 1-1/2" CUSTOM HOSE ADPT	713814065966	0.12	5	7	3
385341767	OBSOLETE, SUBSTITUTE 385343901	713814040987	7	0	0	0
385342806	KIT, BULK-90°X1-1/2"MPT FIT-30	713814082017	3	12	12	7
385343829	KIT, SEAT-CV'R 500+ - WHITE	713814041168	7	18	15	3
385343830	OBSOLETE, SUBSTITUTE 385343829	713814041182	7	0	0	0
385343831	KIT, SEAT-CV'R 500+ - BONE	713814041120	7	18	15	3
385343832	OBSOLETE, SUBSTITUTE 385343831	713814041175	7	0	0	0
385343897	KIT, SEAT-CV'R 500+ - PLAT	713814041144	7	0	0	0
385343898	OBSOLETE, SUBSTITUTE 385343897	713814041199	7	0	0	0
385343901	KIT, SEAT-CV'R 500+ - EBONY	713814041137	7	0	0	0
385343902	OBSOLETE, SUBSTITUTE 385343901	713814041212	7	0	0	0
385344013	KIT, SEAT-CV'R MAG OP-WHITE	713814041083	7.5	0	0	0
385344014	KIT, SEAT-CV'R MAG OP-BONE	713814041045	7	19	15	3
385344015	KIT, HD TANK 4015	713814202378	26	24	13	20
385344018	KIT, SEAT-CV'R MAG OP-PLAT	713814041069	7	0	0	0
385344019	KIT, SEAT-CV'R MAG OP-EBONY	713814041052	7	0	0	0
385344020	KIT, HD TANK 4020	713814200893	23	0	0	0
385344021	KIT, SEAT-CV'R MAG OP-TEAL	713814041076	7	0	0	0
385344022	OBSOLETE, SUBSTITUTE 385344013	713814041038	7	0	0	0
385344023	OBSOLETE, SUBSTITUTE 385344014	713814040994	8	20	21	5
385344024	OBSOLETE, SUBSTITUTE 385344018	713814041014	7	0	0	0
385344025	OBSOLETE, SUBSTITUTE 385344019	713814041007	7	0	0	0
385344030	KIT, HD TANK 4030	713814200909	32	0	0	0
385344040	KIT, HD TANK 4040	713814200916	36	0	0	0
385344055	KIT, HD TANK 4055	713814199500	47	0	0	0
385344088	KIT, SEAT-CV'R TRAV LITE-WHT	713814041236	2.4	18	15	3
385344089	KIT, SEAT-CV'R TRAV LITE-BONE	713814041229	2.4	18	15	3
385344436	KIT, SEAT-CV'R TM60-WHITE	713814041113	7	14.13	14.31	1.94
385344437	KIT, SEAT-CV'R TM60-BONE	713814041090	7	18	15	3
385344438	KIT, SEAT-CV'R TM60-EBONY	713814041106	7	0	0	0
385345377	KIT, SUPPLY HOSE-WHITE	713814046842	0.5	8	8	4
385345889	3" MPT FLOOR FLANGE (BAR CODE)	87735115889	0.6	7	7	3
385345892	3" SOCKET FLOOR FLANGE	87735115872	0.6	7	7	3
385346401	KIT, BOT'M ORING 960SLIDEVALVE	713814067694	0.25	0	0	0
385640041	KIT, SANX ONE OUTLET HOSE	87735105965	1	1	1	12
385640054	KIT, SANX ONE-1" ELBOW	87735105972	1	1.5	1.5	1.5
385640055	KIT, SANX ONE-1 1/2" ELBOW	87735105989	1	1.5	1.5	1.5
385640113	KIT,INLINE CHECK VALVE/HOUSING	87735105996	1	2	2	2
385640115	OBSOLETE, SUBSTITUTE 385640116	87735106016	1	1	1	1
385640116	KIT,PILOT COLLAR-INLINE CK VLV	87735106023	1	1	1	1
385640228	KIT, B PUMP OUTPUT SHAFT KEY	87735106054	1	1	1	1
385640239	OBSOLETE, SUBSTITUTE 385311422	87735106061	0.1	2	3	4
385640335	KIT, S-SUMP INLET TANK TO PUMP	87735115322	0.1	3	3	3
385640370	KIT, LH/RH THREAD ADAPTER	713814049485	0.05	6	6	2
385880001	OBSOLETE, SUBSTITUTE 385311694	713814055011	8.55	14.31	14.31	2
385880002	KIT, SEAT ASSY 8800SERIES-BONE	713814055028	7	14.31	14.31	2
385880009	KIT, MOTOR 8800 SERIES-12VDC	713814055400	7	6	6	6
385880010	KIT, MOTOR 8800 SERIES-24VDC	713814055417	7	6	6	6
385880014	KIT, BOWL-MACER ADPT-8819-8818	713814068769	2	12	9	3
385880015	KIT, BOWL-MACERATOR ADPT-8812	713814068776	1	6	6	6
385880016	KIT, WATER LINE ADAPTER	713814068783	0.5	7	5	4
385880021	KIT, WATER V'LE ASSY-12V 8812	713814068790	1	4	3	2
385880022	KIT, WATER V'LE ASSY-24V 8812	713814068806	7.4	12	9	3
385880023	OBSOLETE, SUBSTITUTE 385880021	713814055448	2	6	6	6
385880024	OBSOLETE, SUBSTITUTE 385880022	713814055455	2	6	6	6
385880039	KIT, STRAIGHT DISCH'RG ADAPT	713814068813	0.4	0	0	0
385880048	KIT, TOUCHPAD CTRL PNL-8800	713814055479	0.3	2	4	6
385880051	OBSOLETE, SUBSTITUTE 385880050		4	0	0	0
385880052	OBSOLETE, SUBSTITUTE 385880050	713814055486	1	2	4	6
385880056	KIT, ELBOW DISCHARGE ADPT-8800	713814055509	0.45	6	4	2

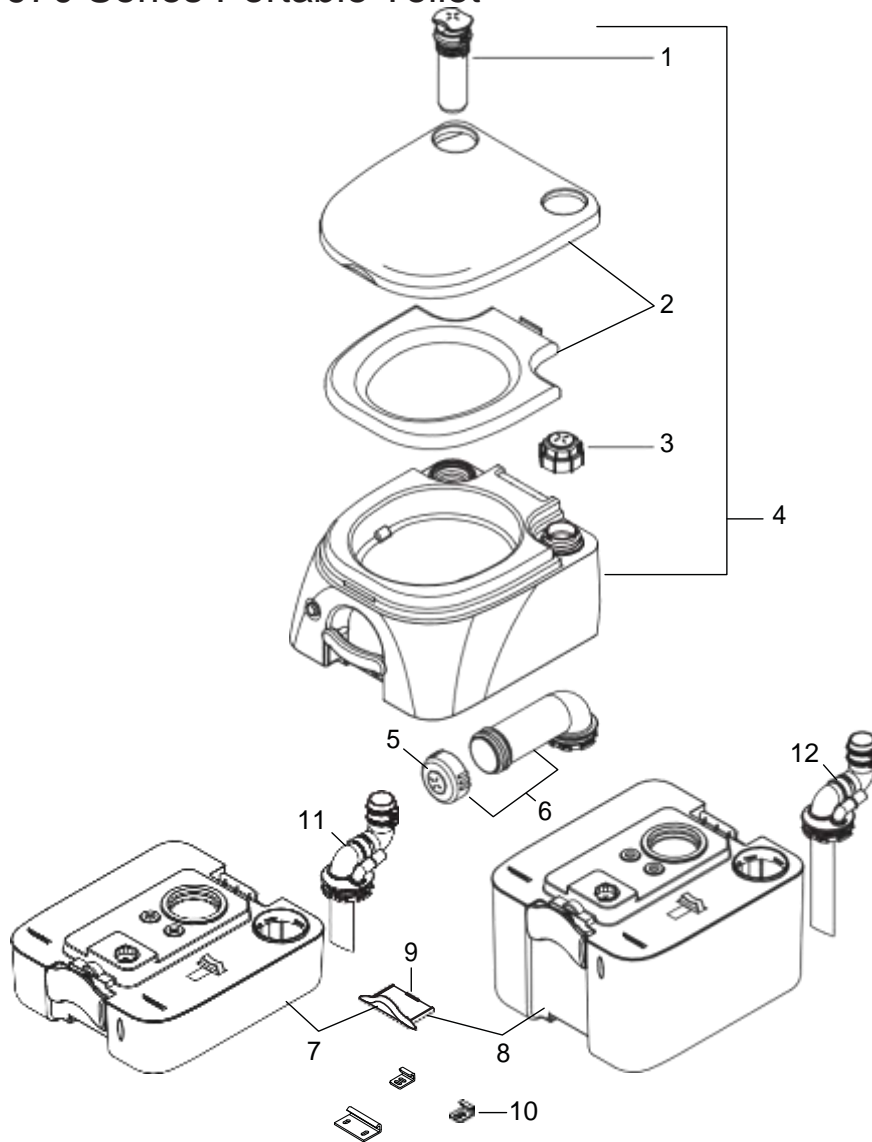
ITEM	DESCRIPTION	UPC	WGT	LEN	WID	HGT
385880059	KIT, RAW W'TR ADAPT'N 12V-8800	713814065669	1	0	0	0
385880060	KIT, RAW W'TR ADAPT'N 24V-8800	713814065676	1	0	0	0
385880063	KIT, DISCHARGE LOOP 8818	713814068745	3	0	0	0
385880065	KIT, TUBE OUTLET SHORT-M'FLUSH	713814074401	3	12	9	3
385880067	KIT, BOWL OUTLET ELBOW-M'FLUSH	713814074425	2	6	6	6
385880068	KIT, MOTOR ASSY 12VDC-M'FLUSH	713814074432	10	15	12	10
385880069	KIT, MOTOR ASSY 24VDC-M'FLUSH	713814073527	10	12	10	8
385880070	KIT, ADAPTER - M'FLUSH	713814074449	1	7	5	2
385880071	KIT, 1-1/2" OUTLET EL-M'FLUSH	713814074456	0.5	6	6	2
385880072	KIT, 1" OUTLET FITTING-M'FLUSH	713814074463	1	7	5	2
385880073	KIT, CHECKVALVE - M'FLUSH	713814074470	1	6	6	1
385880074	KIT, WATERVALVE 12VDC-M'FLUSH	713814074487	1	6	4	2
385880075	KIT, WATERVALVE 24VDC-M'FLUSH	713814074494	1	6	4	2
385880076	KIT, BOWL 8900 SHORT-WHITE	713814074500	30	25	19.5	18
385880077	KIT, BOWL 8900 SHORT-BONE	713814074517	30	25	19.5	18
385880078	KIT, BOWL 8900 TALL-WHITE	713814074524	35	26	20	22
385880079	KIT, BOWL 8900 TALL-BONE	713814074531	35	26	20	22
385880080	KIT, ANTISIPHON VALVE-M'FLUSH	713814074548	1	6	6	2
385880081	KIT, FLUSH SW WIRE H-VIMAR/GEW	713814074555	3	7	5	4
385880082	KIT, FLUSH SW CABLE-MF TOUCH'P	713814074135	0.35	6	4	2
385880083	KIT, MOTOR STRAP - M'FLUSH	713814074562	0.5	7	5	1
385880084	KIT, CONVER'N 8900 24V TO 12V	713814071493	5.05	9	5.5	5.5
385880085	KIT, MF CONTROL MOD - (DBL)		3	7.25	5.5	4.75
388640115	OBSOLETE, SUBSTITUTE 388640116		1	0	0	0
600340591	OBSOLETE, SUBSTITUTE 385344437		4	0	0	0
600340791	OBSOLETE, SUBSTITUTE 385311522	713814041397	3	0	0	0
600340792	OBSOLETE, SUBSTITUTE 385311523		3	0	0	0
600340793	OBSOLETE, SUBSTITUTE 385311524	713814041403	3	0	0	0
600340794	OBSOLETE, SUBSTITUTE 385311525	713814041410	3	0	0	0
600341663	OBSOLETE, SUBSTITUTE 385311520	713814041458	2	0	0	0
600342130	OBSOLETE, SUBSTITUTE 385344436		0.1	0	0	0
600343033	OBSOLETE, SUBSTITUTE 385344438		1	0	0	0

PARTS LIST - 960 Series Portable Toilet

NO.	USA	DESCRIPTION
1	385311520	Seat lid and seat – parchment
	385311521	Seat lid and seat – platinum
2	385310900	Seat hinge pin – white
	385310899	Seat hinge pin – parchment
3	385310102	Water cap – parchment
	385310103	Water cap – platinum
4	385310104	Bellows assembly – parchment
	385310105	Bellows assembly – platinum
5	385230374	2.6-gal. (9.8 l) freshwater tank assembly – parchment (items 1 - 5)
	385230375	2.6-gal. (9.8 l) freshwater tank assembly – platinum (items 1 - 5)
6	385310066	Latch assembly – white
	385310067	Latch assembly – parchment
7	385239064	Slide valve assembly – white
8	385346401	Bottom O-ring
9	385310050	Waste tank cap – parchment
	385310031	Waste tank cap – platinum
10 10A	385311522	2.5-gal. (9.5 l) wastewater tank assembly – parchment
	385311523	2.5-gal. (9.5 l) wastewater tank assembly – platinum
	385230376	2.5-gal. (9.5 l) 964MSD tank assembly – parchment
	385230377	2.5-gal. (9.5 l) 964MSD tank assembly – platinum
11 11A	385311524	5.0-gal. (18.9 l) wastewater tank assembly – parchment
	385311525	5.0-gal. (18.9 l) wastewater tank assembly – platinum
	385230378	5.0-gal. (18.9 l) 965MSD tank assembly – parchment
	385230379	5.0-gal. (18.9 l) 965MSD tank assembly – platinum
12	385310018	Hold-down brackets – 2.5-gal. waste tank
	385310239	Hold-down brackets – 5.0-gal. waste tank

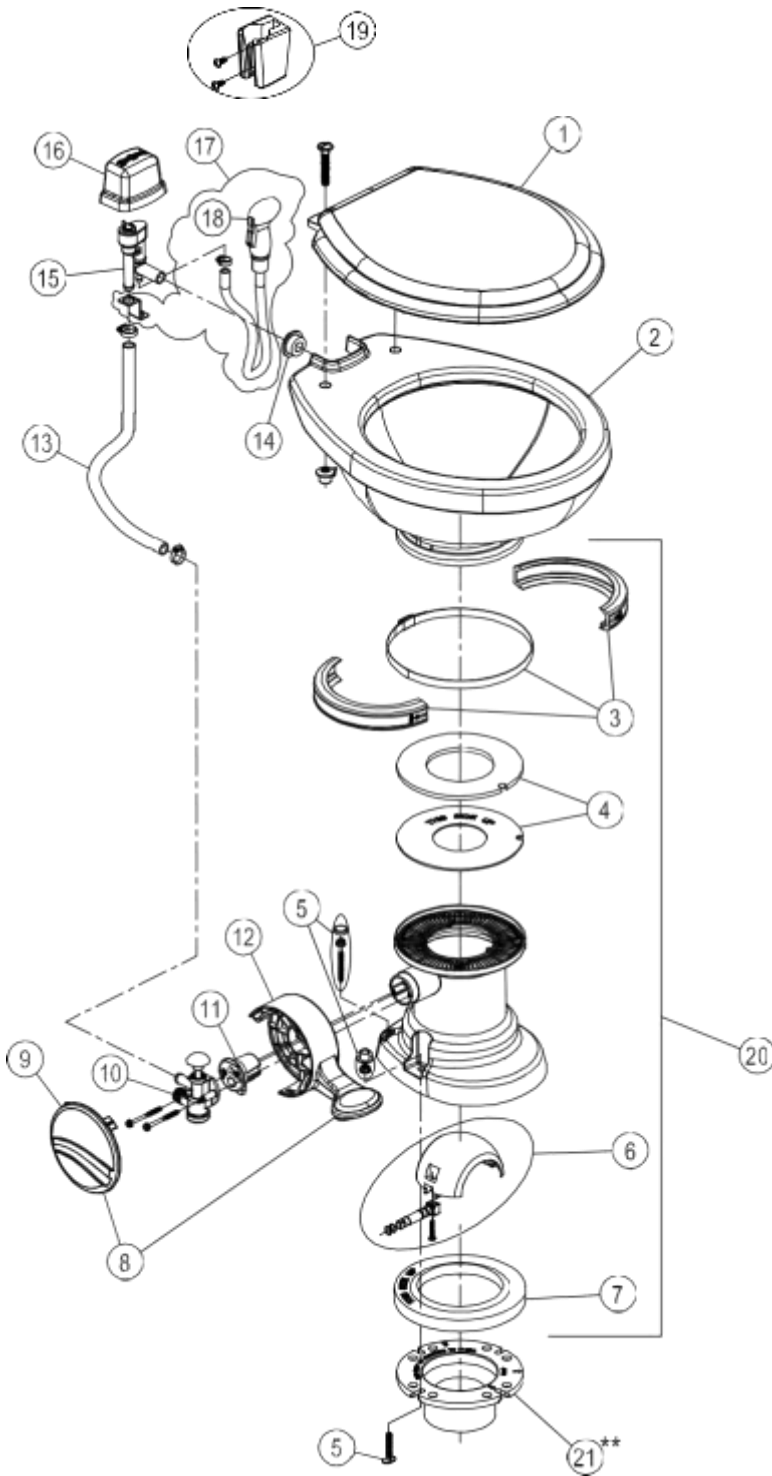


PARTS LIST - 970 Series Portable Toilet



NO.	PART NUMBER	DESCRIPTION	
1	385311528	Air pump	
2	385311529	Seat cover and seat	
3	385311530	Water cap	
4	385311531	Bowl assembly	
5	385311532	Discharge spout cap	
6	385311533	Discharge spout assembly	972, 974, 975, 976
7	385311534 385311535	Holding tank assembly (tan) Holding tank assembly (gray)	2.6 gal ./9.8 L - 972, 974, 974MSD
8	385311536 385311537	Holding tank assembly (tan) Holding tank assembly (gray)	5.0 gal ./18.9 L - 975, 975MSD, 976
9	385311538 385311539	Locking handle (tan) Locking handle (gray)	972, 974, 974MSD, 975, 975MSD, 976
10	385311564	Mounting brackets	974, 974MSD, 975, 975MSD
11	385320006	MSD fitting	974MSD
12	385320007	MSD fitting	975MSD

PARTS LIST: 110 MODEL

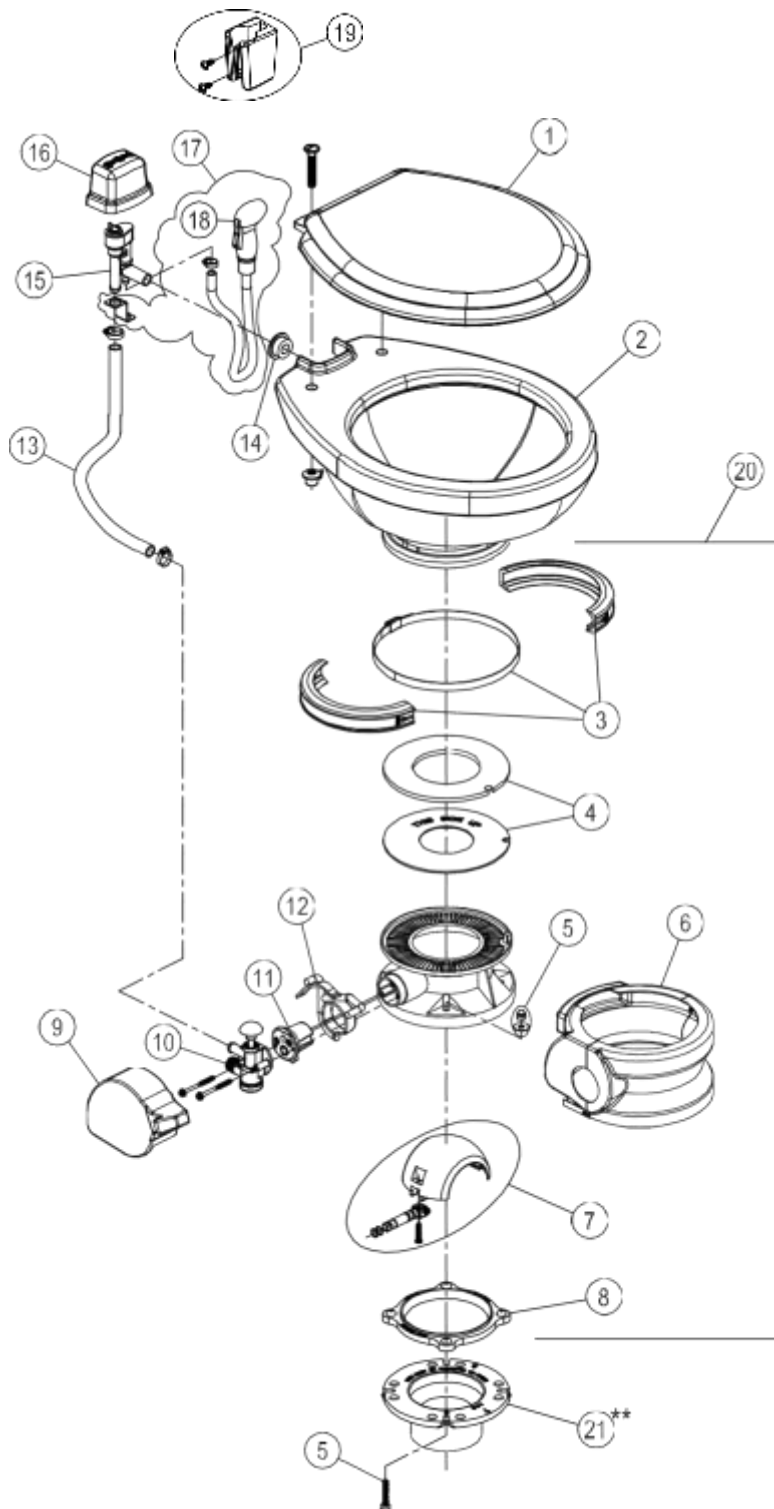


ITEM	PART NUMBER & DESCRIPTION
1	385344088 SEAT/COVER - WHITE
	385344089 SEAT/COVER - BONE
2	385310790 CHINA BOWL KIT - WHITE
	385310791 CHINA BOWL KIT - BONE
3	385310025 BOWL/BASE CLAMP KIT - WHITE
	385310048 BOWL/BASE CLAMP KIT - BONE
4	385311462 FLUSH BALL SEAL REPL KIT
5	385310794 MOUNTING HARDWARE - WHITE
	385310803 MOUNTING HARDWARE - BONE
6	385310687 FLUSH BALL, SHAFT, CARTRIDGE KIT **INCLUDES ITEM 11.
7	385311267 FLOOR FLANGE SEAL
8	385311119 PEDAL & COVER - WHITE
	385311120 PEDAL & COVER - BONE
9	385311179 PEDAL COVER - WHITE
	385311180 PEDAL COVER - BONE
10	385314349 WATER VALVE KIT
11	385310683 SPRING CARTRIDGE KIT
12	385311121 PEDAL/CARTRIDGE KIT - WHITE
	385311122 PEDAL/CARTRIDGE KIT - BONE **INCLUDES ITEM 9 & 11.
13	385340177 BOWL WATER SUPPLY HOSE - WHITE
	385345377 BOWL WATER SUPPLY HOSE - BONE
14	385311164 1/2" SEALING GROMMET
15	385230335 VACUUM BREAKER KIT w/HAND SPRAY
	385316906 VACUUM BREAKER KIT **INCLUDES ITEM 14.
16	385310795 VACUUM BREAKER COVER - WHITE
	385310796 VACUUM BREAKER COVER - BONE
17*	385319054 HAND SPRAY KIT w/VAC BREAKER - WHT **INCLUDES ITEM 14, 15, 18
18*	385311124 HAND SPRAYER - WHITE **INCLUDES ITEM 19.
19*	385230319 HAND SPRAY BRACKET w/SCREW-WHT
20	385310792 110 BASE KIT - WHITE
	385310793 110 BASE KIT - BONE **INCLUDES ITEM 3-12.
21**	385345689 3" MPT FLOOR FLANGE
	385345892 3" SOCKET FLOOR FLANGE
	385343765 3" SPIGOT FLOOR FLANGE
	385310961 45° SWIVEL FLOOR FLANGE* *MUST BE USED WITH SEAL INCLUDED IN KIT

* ITEMS 17, 18, & 19 ARE OPTIONAL ACCESSORIES;
NOT PROVIDED WITH EVERY MODEL.

** ITEM 21 IS SOLD SEPARATELY; NOT INCLUDED WITH THE TOILET.

PARTS LIST: 111 MODEL

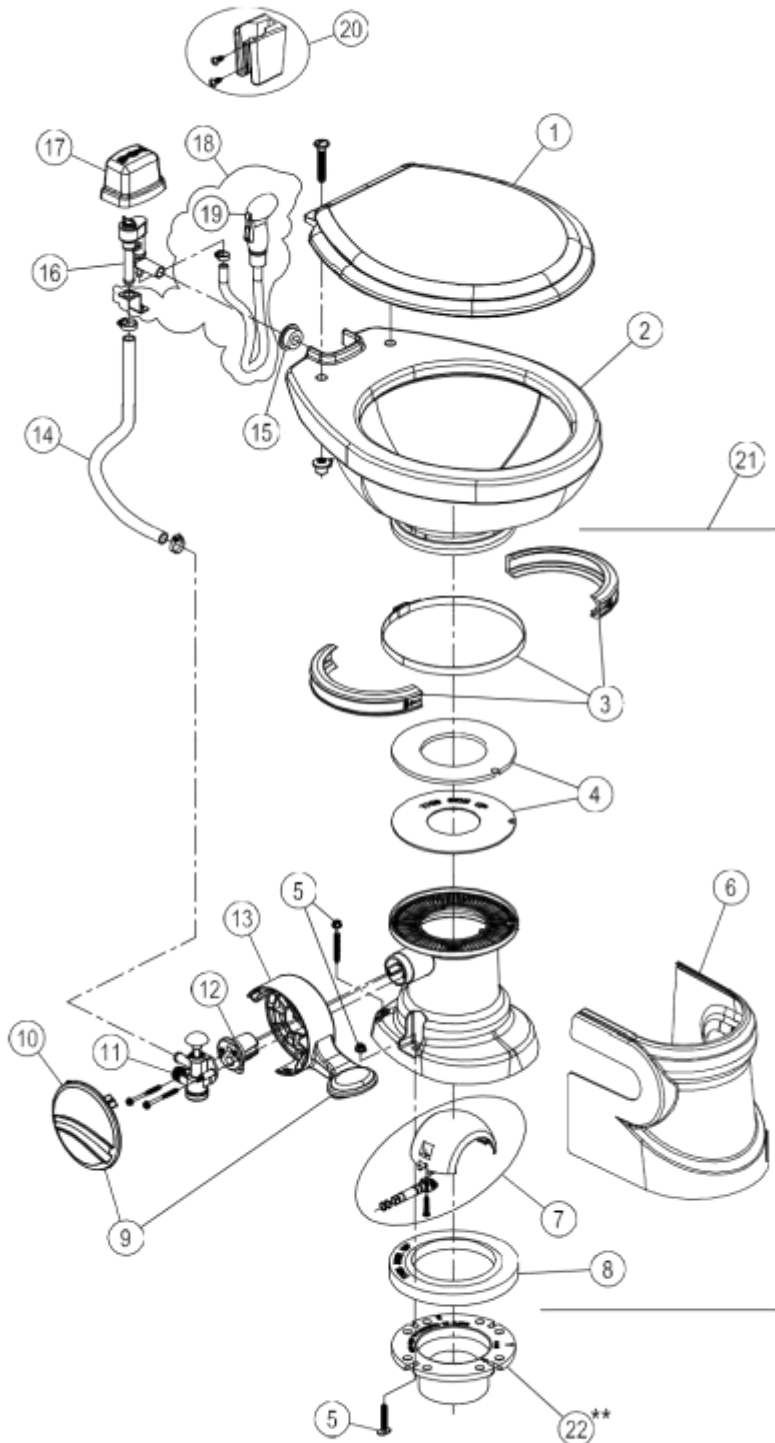


ITEM	PART NUMBER & DESCRIPTION
1	385344088 SEAT/COVER - WHITE
	385344089 SEAT/COVER - BONE
2	385310790 CHINA BOWL KIT - WHITE
	385310791 CHINA BOWL KIT - BONE
3	385310048 BOWL/BASE CLAMP KIT - BONE
4	385311462 FLUSH BALL SEAL REPL KIT
5	385310064 MOUNTING HARDWARE
6	385310108 PEDESTAL COVER - WHITE
	385310109 PEDESTAL COVER - BONE
7	385318162 FLUSH BALL, SHAFT, CARTRIDGE KIT **INCLUDES ITEM 11.
8	385310063 FLOOR FLANGE SEAL
9	385311551 PEDAL COVER - WHITE
	385311552 PEDAL COVER - BONE
10	385314349 WATER VALVE KIT
11	385236096 SPRING CARTRIDGE KIT
12	385311553 PEDAL/LEVER & CARTRIDGE KIT **INCLUDES ITEM 11.
13	385340177 BOWL WATER SUPPLY HOSE - WHITE
	385345377 BOWL WATER SUPPLY HOSE - BONE
14	385311164 1/2" SEALING GROMMET
15	385230335 VACUUM BREAKER KIT w/HAND SPRAY
	385316906 VACUUM BREAKER KIT **INCLUDES ITEM 14.
16	385310795 VACUUM BREAKER COVER - WHITE
	385310796 VACUUM BREAKER COVER - BONE
17*	385319054 HAND SPRAY KIT w/VAC BREAKER - WHT **INCLUDES ITEM 14, 15, 18.
18*	385311124 HAND SPRAYER - WHITE **INCLUDES ITEM 19.
19*	385230319 HAND SPRAY BRACKET w/SCREW-WHT
20	385311559 111 BASE KIT - WHITE
	385311560 111 BASE KIT - BONE **INCLUDES ITEM 3-12.
21**	385345889 3" MPT FLOOR FLANGE
	385345892 3" SOCKET FLOOR FLANGE
	385343765 3" SPIGOT FLOOR FLANGE
	385310961 45° SWIVEL FLOOR FLANGE* *MUST BE USED WITH SEAL INCLUDED IN KIT

* ITEMS 17, 18, & 19 ARE OPTIONAL ACCESSORIES;
NOT PROVIDED WITH EVERY MODEL.

** ITEM 21 IS SOLD SEPARATELY; NOT INCLUDED WITH THE TOILET.

PARTS LIST: 210 MODEL

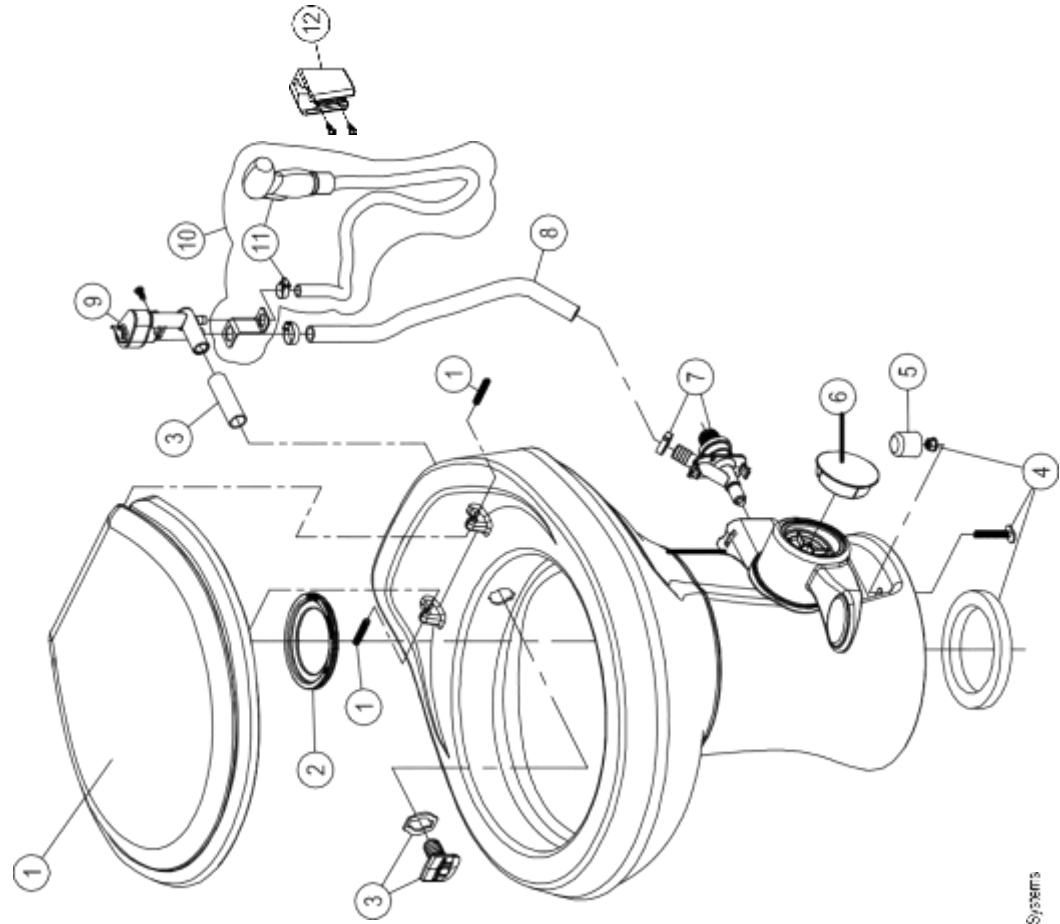


ITEM	PART NUMBER & DESCRIPTION
1	385344088 SEAT/COVER - WHITE
	385344089 SEAT/COVER - BONE
2	385310790 CHINA BOWL KIT - WHITE
	385310791 CHINA BOWL KIT - BONE
3	385310048 BOWL/BASE CLAMP KIT - BONE
4	385311462 FLUSH BALL SEAL REPL KIT
5	385311117 MOUNTING HARDWARE
6	385311126 BASE SHROUD - WHITE
	385311127 BASE SHROUD - BONE
7	385310681 FLUSH BALL, SHAFT, CARTRIDGE KIT **INCLUDES ITEM 12.
8	385311267 FLOOR FLANGE SEAL
9	385311119 PEDAL & COVER - WHITE
	385311120 PEDAL & COVER - BONE
10	385311179 PEDAL COVER - WHITE
	385311180 PEDAL COVER - BONE
11	385314349 WATER VALVE KIT
12	385310683 SPRING CARTRIDGE KIT
13	385311121 PEDAL/CARTRIDGE KIT - WHITE
	385311122 PEDAL/CARTRIDGE KIT - BONE **INCLUDES ITEM 10 & 12.
14	385340177 BOWL WATER SUPPLY HOSE - WHITE
	385345377 BOWL WATER SUPPLY HOSE - BONE
15	385311164 1/2" SEALING GROMMET
16	385230335 VACUUM BREAKER KIT w/HAND SPRAY
	385316906 VACUUM BREAKER KIT **INCLUDES ITEM 15.
17	385310795 VACUUM BREAKER COVER - WHITE
	385310796 VACUUM BREAKER COVER - BONE
18*	385319054 HAND SPRAY KIT w/VAC BREAKER - WHT **INCLUDES ITEM 15, 16, 19.
19*	385311124 HAND SPRAYER - WHITE **INCLUDES ITEM 20.
20*	385230319 HAND SPRAY BRACKET w/SCREW-WHT
21	385311128 210 BASE KIT - WHITE
	385311129 210 BASE KIT - BONE **INCLUDES ITEM 3-13.
22**	385345889 3" MPT FLOOR FLANGE
	385345892 3" SOCKET FLOOR FLANGE
	385343765 3" SPIGOT FLOOR FLANGE
	385310961 45° SWIVEL FLOOR FLANGE* *MUST BE USED WITH SEAL INCLUDED IN KIT.

* ITEMS 18, 19, & 20 ARE OPTIONAL ACCESSORIES;
NOT PROVIDED WITH EVERY MODEL.

** ITEM 22 IS SOLD SEPARATELY; NOT INCLUDED WITH THE TOILET.

PARTS LIST: 300 TALL GRAVITY FLUSH TOILET

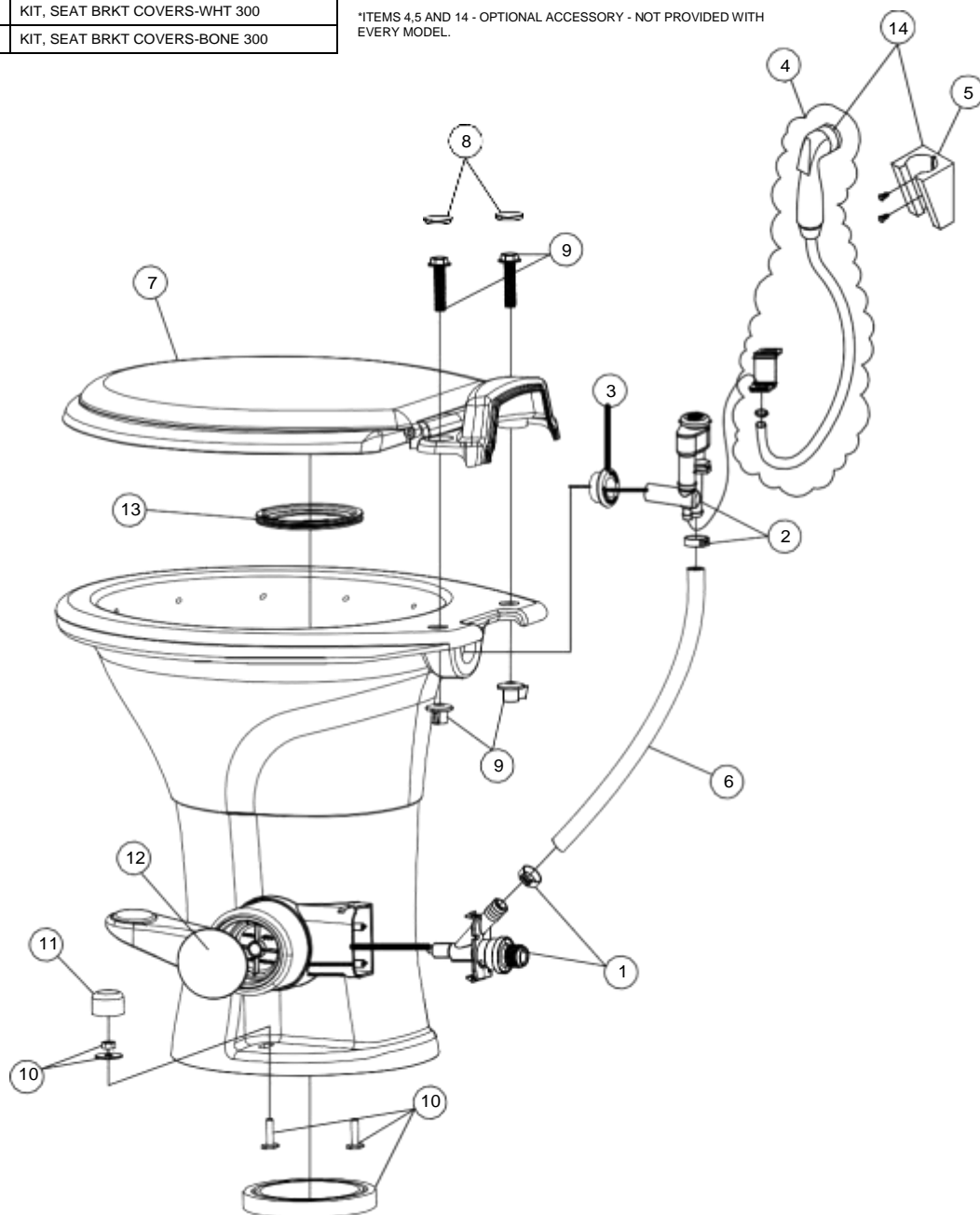


ITEM	PART NUMBER & DESCRIPTION
1	385311930 SEAT/COVER REPLACEMENT - WHITE 385311931 SEAT/COVER REPLACEMENT - BONE **INCLUDES MOUNTING HARDWARE
2	385311636 FILL SH BALL SEAL
3	385311932 BOWL WASH SPRAY NOZZLE KIT - WHT 385311933 BOWL WASH SPRAY NOZZLE KIT - BONE
4	385311652 MOUNTING HARDWARE/SEAL - WHITE 385311653 MOUNTING HARDWARE/SEAL - BONE **INCLUDES ITEM 5
5	385311654 FLOOR BOLT CAP - WHITE 385311655 FLOOR BOLT CAP - BONE
6	385311656 PEDAL COVER - WHITE 385311657 PEDAL COVER - BONE
7	385311641 WATER VALVE KIT
8	385340177 WATER SUPPLY HOSE - WHITE 385345377 WATER SUPPLY HOSE - BONE **INCLUDES CLAMPS
9	385230335 VACUUM BREAKER KIT w/HAND SPRAY 385316906 VACUUM BREAKER KIT
10*	385319004 HAND SPRAY KIT w/VAC BREAKER - WHT **INCLUDES ITEMS 9 & 11
11*	385311124 HAND SPRAYER - WHITE **INCLUDES ITEM 12.
12*	385230319 HAND SPRAY BRACKET w/SCREWS-WHT

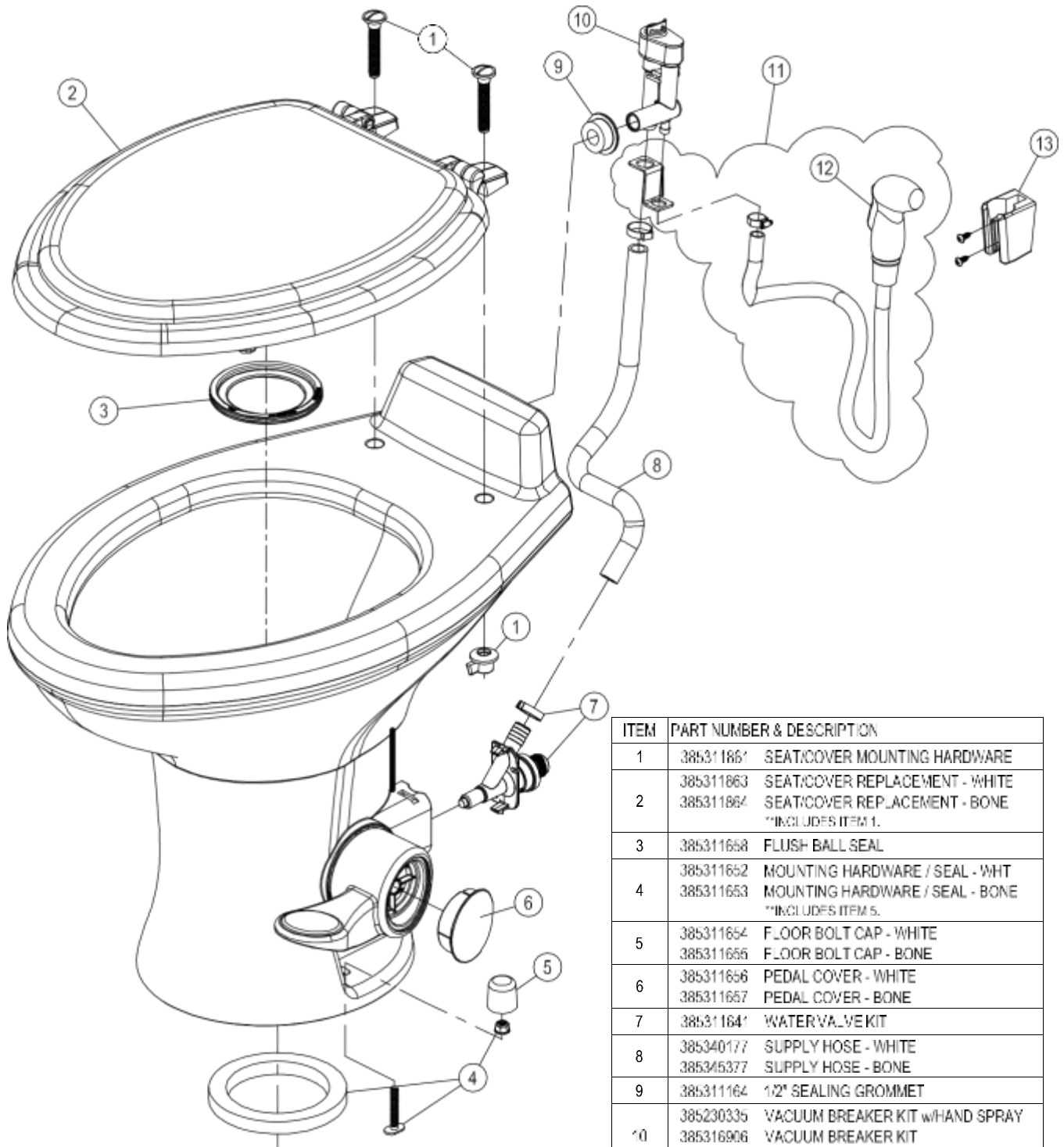
*ITEMS 10, 11, & 12 ARE OPTIONAL ACCESSORIES.
NOT PROVIDED WITH EVERY MODEL.

PARTS LIST: 310 Gravity Flush Toilet

1	385311641	KIT, WATER VALVE	9	385311650	KIT, SEAT MTG HARD-WHT (INC. 8)
2	385230335	KIT, HAND SPRAY VB (INC. 3)	10	385311651	KIT, SEAT MTG HARD-BONE (INC. 8)
	385316906	KIT, VACUUM BREAKER (INC. 3)		385311652	KIT, MTG HARDWARE-WHT (INC. 11)
3	385311164	KIT, SEALING GROMMET 1/2"	11	385311653	KIT, MTG HARDWARE-BONE (INC. 11)
4*	385319054	KIT, VAC BREAK W/SPRAY-WHT (INC.2,3 & 5)		385311654	KIT, MTG HARD CAP-WHT
5*	385230319	KIT, BRACKET-HAND SPRAY	12	385311655	KIT, MTG HARD CAP-BONE
6	385340177	KIT, SUPPLY HOSE-BONE		385311656	KIT, PEDAL CVR CAP-WHT
	385345377	KIT, SUPPLY HOSE-WHITE	385311657	KIT, PEDAL CVR-BONE	
7	385311646	KIT, SEAT/CVR-WHT (INC. 8 & 9)	13	385311658	KIT, FLUSH BALL SEAL
	385311647	KIT SEAT/CVR-BONE (INC. 8 & 9)	14*	385311124	KIT, HAND SPRAY-WHITE (INC. 5)
8	385311648	KIT, SEAT BRKT COVERS-WHT 300	*ITEMS 4,5 AND 14 - OPTIONAL ACCESSORY - NOT PROVIDED WITH EVERY MODEL.		
	385311649	KIT, SEAT BRKT COVERS-BONE 300			



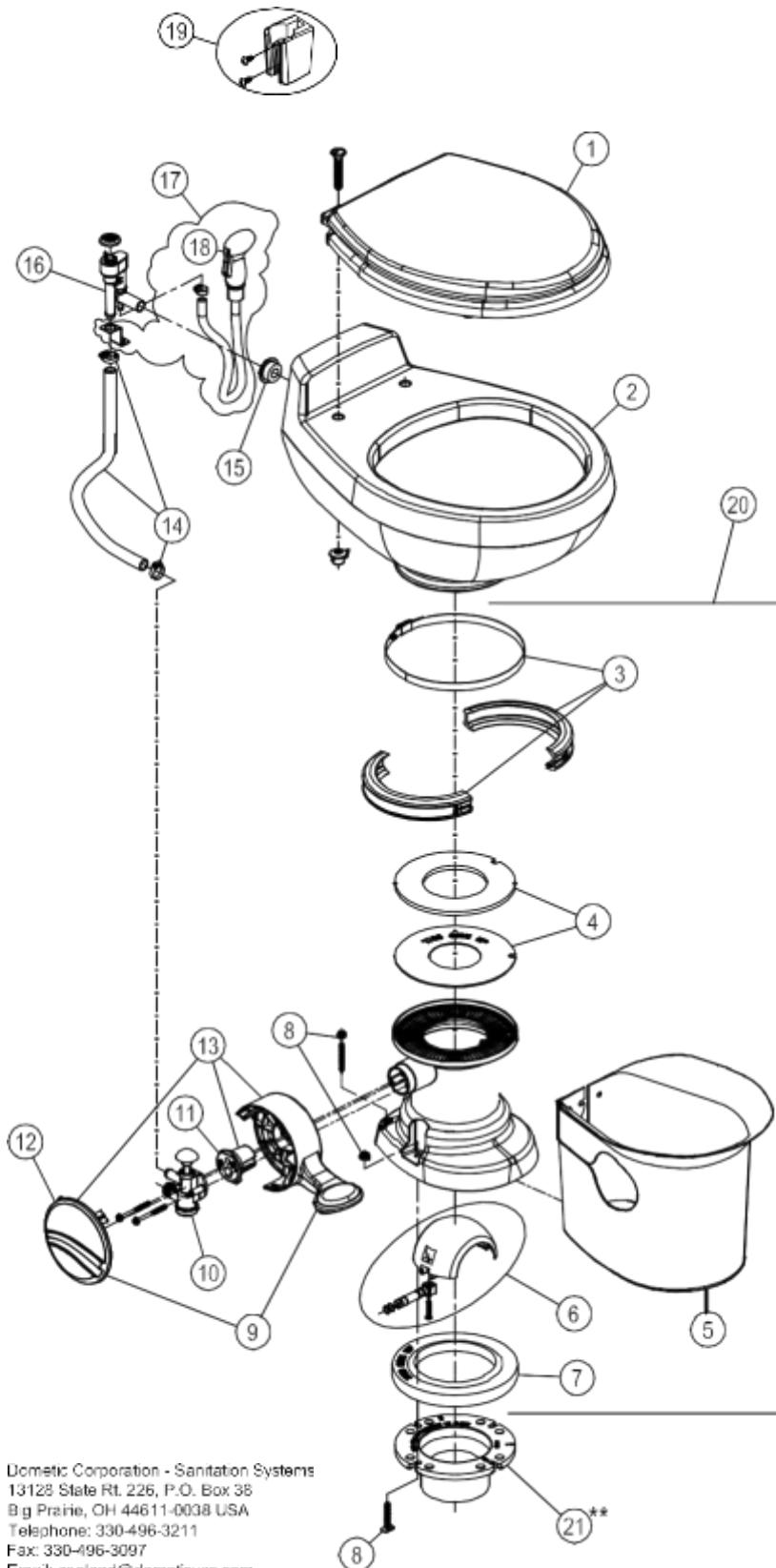
PARTS LIST: 320 GRAVITY FLUSH TOILET



ITEM	PART NUMBER & DESCRIPTION
1	385311861 SEAT/COVER MOUNTING HARDWARE
2	385311863 SEAT/COVER REPLACEMENT - WHITE
	385311864 SEAT/COVER REPLACEMENT - BONE **INCLUDES ITEM 1.
3	385311658 FLUSH BALL SEAL
4	385311652 MOUNTING HARDWARE / SEAL - WHT
	385311653 MOUNTING HARDWARE / SEAL - BONE **INCLUDES ITEM 5.
5	385311654 FLOOR BOLT CAP - WHITE
	385311655 FLOOR BOLT CAP - BONE
6	385311656 PEDAL COVER - WHITE
	385311657 PEDAL COVER - BONE
7	385311641 WATER VALVE KIT
8	385340177 SUPPLY HOSE - WHITE
	385345377 SUPPLY HOSE - BONE
9	385311164 1/2" SEALING GROMMET
10	385230336 VACUUM BREAKER KIT w/HAND SPRAY
	385316906 VACUUM BREAKER KIT **INCLUDES ITEM 9.
11*	385319054 HAND SPRAY KIT w/VAC BREAKER - WHT **INCLUDES ITEMS 9, 10, 12.
12*	385311124 HAND SPRAYER - WHITE **INCLUDES ITEM 13.
13*	385230319 HAND SPRAY BRACKET w/SCREW - WHT

*ITEMS 11, 12, & 13 ARE OPTIONAL ACCESSORIES;
NOT PROVIDED WITH EVERY MODEL

PARTS LIST: 510H



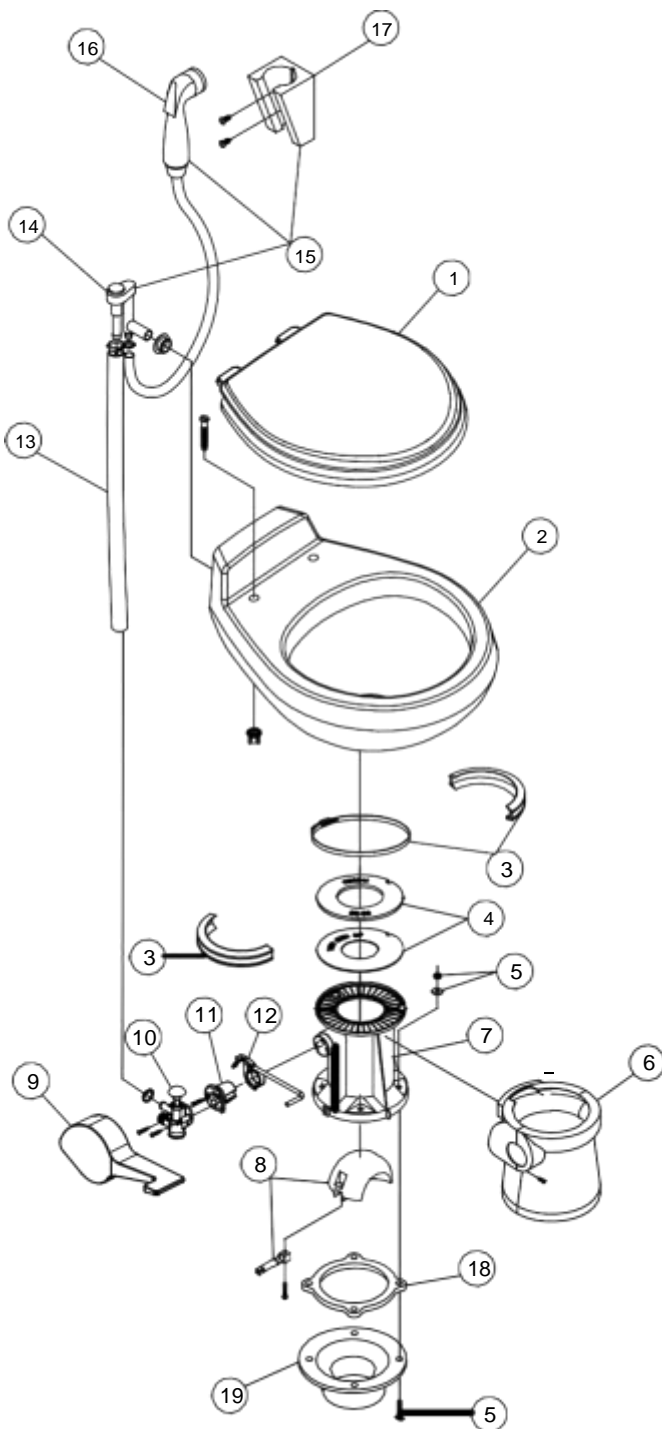
ITEM	PART NUMBER & DESCRIPTION
1	385343829 SEAT/COVER - WHITE
	385343831 SEAT/COVER - BONE
2	385310739 CHINA BOWL KIT - WHITE
	385310740 CHINA BOWL KIT - BONE
3	385310025 BOWL/BASE CLAMP KIT - WHITE
	385310048 BOWL/BASE CLAMP KIT - BONE
4	385311462 FLUSH BALL SEAL REPL KIT
5	385311540 BASE SHROUD 500H - WHITE
	385311541 BASE SHROUD 500H - BONE
6	385310681 FLUSH BALL, SHAFT, CARTRIDGE KIT **INCLUDES ITEM 11
7	385311267 FLOOR FLANGE SEAL
8	385311117 MOUNTING HARDWARE
9	385311119 PEDAL & COVER - WHITE
	385311120 PEDAL & COVER - BONE
10	385314349 WATER VALVE KIT
11	385310683 SPRING CARTRIDGE KIT
12	385311179 PEDAL COVER - WHITE
	385311180 PEDAL COVER - BONE
13	385311121 PEDAL/CARTRIDGE KIT - WHITE
	385311122 PEDAL/CARTRIDGE KIT - BONE **INCLUDES ITEM 11 & 12
14	385340177 BOWL WATER SUPPLY HOSE - WHITE
15	385345377 BOWL WATER SUPPLY HOSE - BONE
	385311164 1/2" SEALING GROMMET
16	385230335 VACUUM BREAKER KIT w/HAND SPRAY
	385316906 VACUUM BREAKER KIT **INCLUDES ITEM 15
17*	385319056 HAND SPRAY KIT w/VAC BREAKER - CHR **INCLUDES ITEM 15, 16, 19
18*	385310809 HAND SPRAYER - CHROME **INCLUDES ITEM 19
19*	385311131 HAND SPRAY BRKT w/SCREW CHROME
20	385311128 500H BASE KIT - WHITE
	385311129 500H BASE KIT - BONE **INCLUDES ITEM 3-13
21**	385345889 3" MPT FLOOR FLANGE
	385345892 3" SOCKET FLOOR FLANGE
	385343765 3" SPIGOT FLOOR FLANGE
	385310961 45° SWIVEL FLOOR FLANGE* *MUST BE USED WITH SEAL INCLUDED IN KIT.

*ITEMS 17, 18, & 19 ARE OPTIONAL ACCESSORIES;
NOT PROVIDED WITH EVERY MODEL.

** ITEM 21 IS SOLD SEPARATELY; NOT INCLUDED WITH THE TOILET.

Dometic Corporation - Sanitation Systems
13128 State Rt. 226, P.O. Box 38
Bg Prairie, OH 44611-0038 USA
Telephone: 330-496-3211
Fax: 330-496-3097
Email: sealand@dometicusa.com

PARTS LIST: 510+



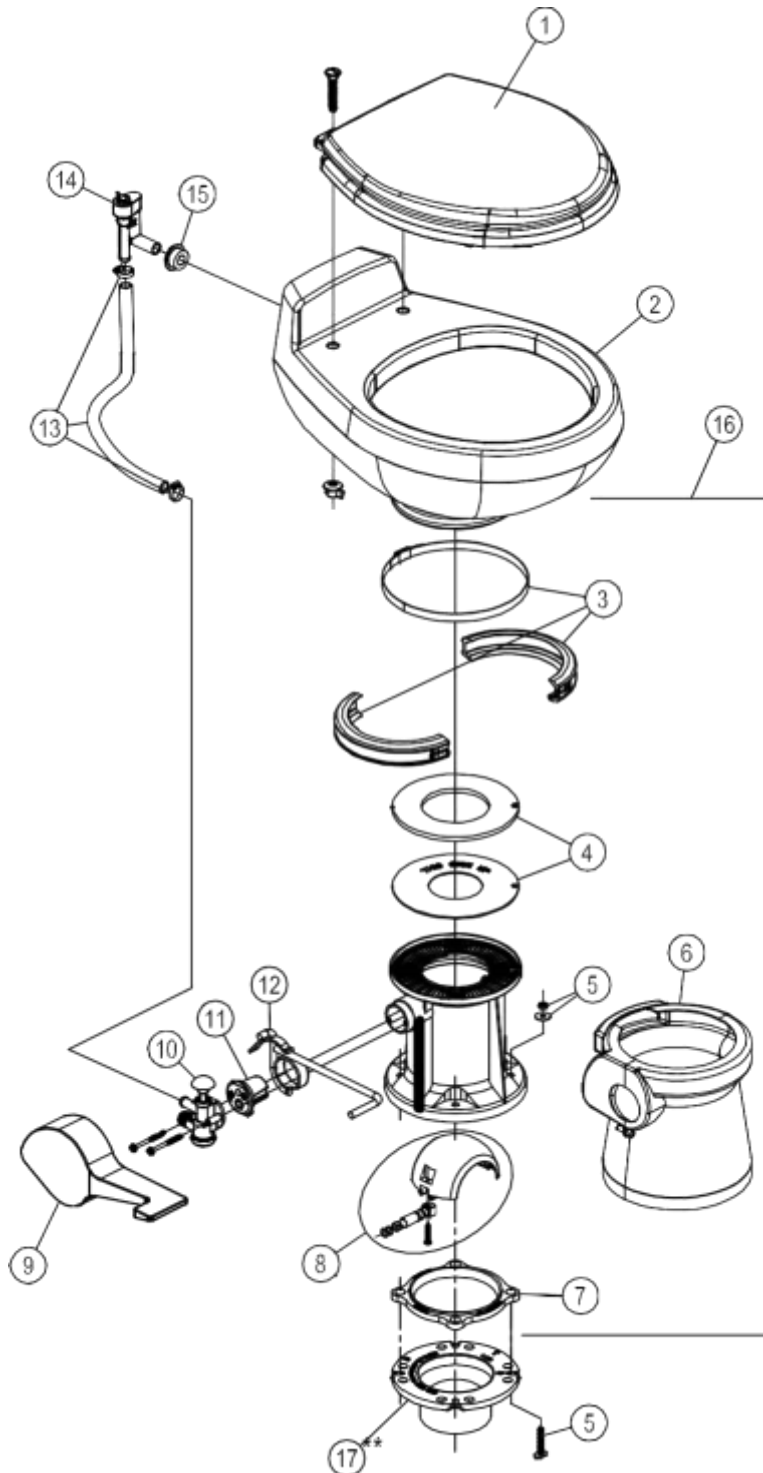
ITEM	PART NO.	DESCRIPTION
1	385343829	SEAT ASSEMBLY, WHITE
	385343831	SEAT ASSEMBLY, BONE
	385343897	SEAT ASSEMBLY, PLATINUM
	385343901	SEAT ASSEMBLY, EBONY
	385343899	SEAT ASSEMBLY, TEAL
2	385310739	CHINA BOWL KIT, WHITE
	385310740	CHINA BOWL KIT, BONE
	385310741	CHINA BOWL KIT, PLATINUM
	385310742	CHINA BOWL KIT, EBONY
3	385310743	CHINA BOWL KIT, TEAL
	385310025	BAND AND HALF CLAMP, KIT WHITE
4	385310048	BAND AND HALF CLAMP, KIT BONE
	385311462	SEAL REPLACEMENT , KIT
5	385310064	MOUNTING HARDWARE
6	385310111	PEDESTAL COVER KIT , WHITE
	385310112	PEDESTAL COVER KIT , BONE
	385310113	PEDESTAL COVER KIT , PLATINUM
	385310173	PEDESTAL COVER KIT , EBONY
	385310203	PEDESTAL COVER KIT , TEAL
7	385310120	BASE KIT, WHITE (inc items 3-12)
	385310121	BASE KIT, BONE (inc items 3-12)
	385310122	BASE KIT, PLATINUM (inc items 3-12)
	385310169	BASE KIT, EBONY (inc items 3-12)
8	385310198	BASE KIT, TEAL (inc items 3-12)
	385318162	KIT,BALL,SHAFT & CART, WHITE(inc. item 11)
	385310177	KIT,BALL,SHAFT & CART, EBONY(inc. item 11)
	385310188	KIT,BALL,SHAFT & CART, TEAL(inc. item 11)
9	385310114	PEDAL COVER, WHITE
	385310115	PEDAL COVER, BONE
	385310116	PEDAL COVER, PLATINUM
	385310175	PEDAL COVER, EBONY
	385310193	PEDAL COVER, TEAL
10	385314349	WATER VALVE, KIT
11	385236096	SPRING CARTRIDGE, KIT
12	385310578	PEDAL, CARTRIDGE, KIT (inc. item 11)
13	385340177	HOSE, SUPPLY - BONE, EBONY, PLAT ,TEAL
	385345377	HOSE, SUPPLY - WHITE
14	385316906	VACUUM BREAKER, KIT - WITHOUT SPRAY
	385230335	VACUUM BREAKER, KIT - WITH SPRAY
15	385319054	VACUUM BREAKER, COMPLETE - WHITE
	385319056	VACUUM BREAKER, COMPLETE - CHROME
	385319057	VACUUM BREAKER, COMPLETE - EBONY
16	385310809	HAND SPRAY, CHROME
	385310873	HAND SPRAY, EBONY
17	385311131	BRACKET,HAND SPRAY-CHROME
	385311125	BRACKET,HAND SPRAY-EBONY
19	385310063	FLOOR FLANGE, KIT (inc item 5)
	385345889	FLOOR FLANGE, 3" MPT
	385345892	FLOOR FLANGE, 3" SOCKET
	385343765	FLOOR FLANGE, 3" SPIGOT
	385310961	FLOOR FLANGE ADAPTER, 45° SWIVEL (MUST BE USED WITH SEAL INC.)

(ITEM 19 SOLD SEPARATELY)



Dometic Corporation - Sanitation Systems
13128 State Rt. 226, P.O. Box 38
Big Prairie, OH 44611-0038 USA
Telephone: 330-496-3211
Fax: 330-496-3097
Email: sealand@dometicsusa.com

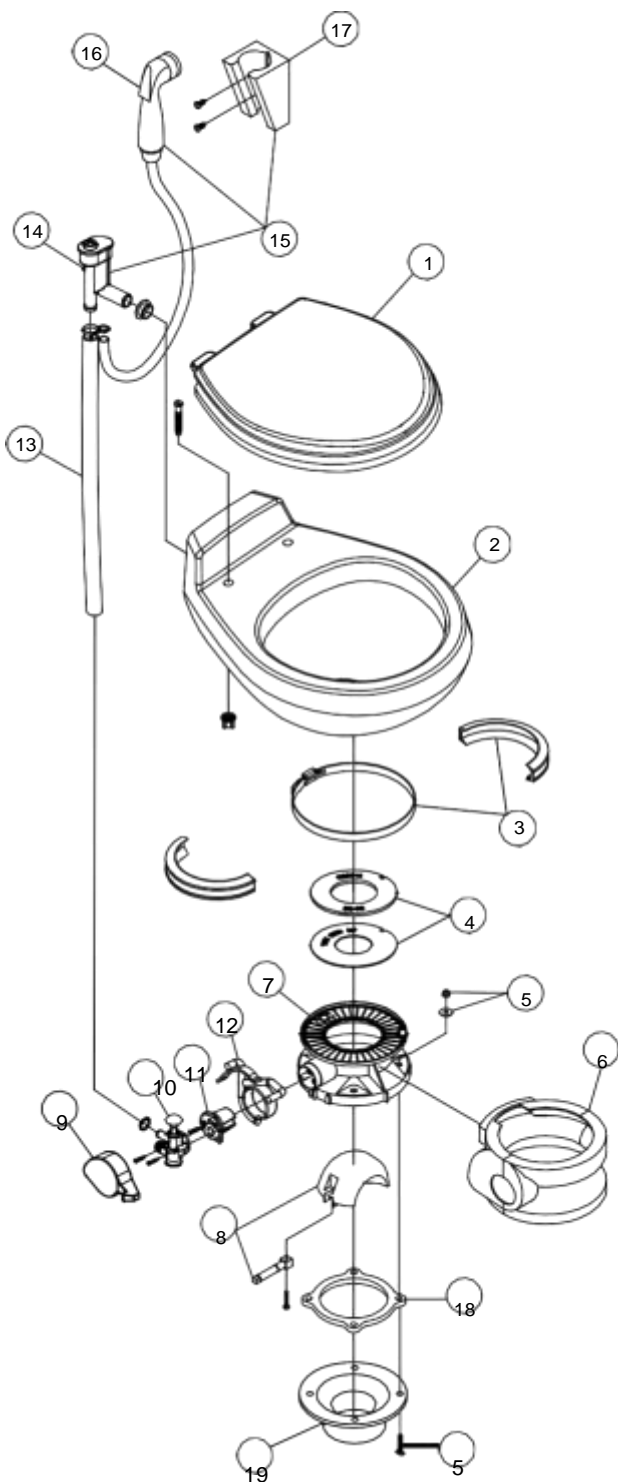
PARTS LIST: 510 PS MODEL SERIES



ITEM	PART NUMBER & DESCRIPTION
1	385343829 SEAT/COVER - WHITE
	385343831 SEAT/COVER - BONE
	385343897 SEAT/COVER - PLATINUM
	385343901 SEAT/COVER - EBONY
2	385310739 CHINA BOWL - WHITE
	385310740 CHINA BOWL - BONE
	385310741 CHINA BOWL - PLATINUM
	385310742 CHINA BOWL - EBONY
3	385310048 BOWL/BASE CLAMP KIT
4	385311462 FLUSH BALL SEAL REPL. KIT
5	385310064 MOUNTING HARDWARE
6	385310111 PEDESTAL COVER - WHITE
	385310112 PEDESTAL COVER - BONE
	385310113 PEDESTAL COVER - PLATINUM
	385310173 PEDESTAL COVER - EBONY
7	385310063 FLOOR FLANGE SEAL **INCLUDES ITEM 5.
8	385318162 FLUSH BALL, SHAFT, CARTRIDGE KIT-WHT
	385310177 FLUSH BALL, SHAFT, CARTRIDGE KIT-EBY **INCLUDES ITEM 11.
9	385310114 PEDAL COVER - WHITE
	385310115 PEDAL COVER - BONE
	385310116 PEDAL COVER - PLATINUM
	385310175 PEDAL COVER - EBONY
10	385314349 WATER VALVE KIT
11	385236096 SPRING CARTRIDGE KIT
12	385310578 PEDAL/LEVER & CARTRIDGE KIT **INCLUDES ITEM 11.
13	385340177 BOWL WATER SUPPLY HOSE - WHITE
	385345377 BOWL WATER SUPPLY HOSE - BONE
14	385316906 VACUUM BREAKER KIT **INCLUDES ITEM 15.
15	385311164 1/2" SEALING GROMMET KIT
16	385310120 10 BASE KIT - WHITE
	385310121 10 BASE KIT - BONE
	385310122 10 BASE KIT - PLATINUM
	385310169 10 BASE KIT - EBONY **INCLUDES ITEMS 3-12.
17**	385345889 3" MPT FLOOR FLANGE
	385345892 3" SOCKET FLOOR FLANGE
	385343765 3" SPIGOT FLOOR FLANGE
	385310961 45° SWIVEL FLOOR FLANGE* *MUST BE USED WITH SEAL INCLUDED IN KIT.

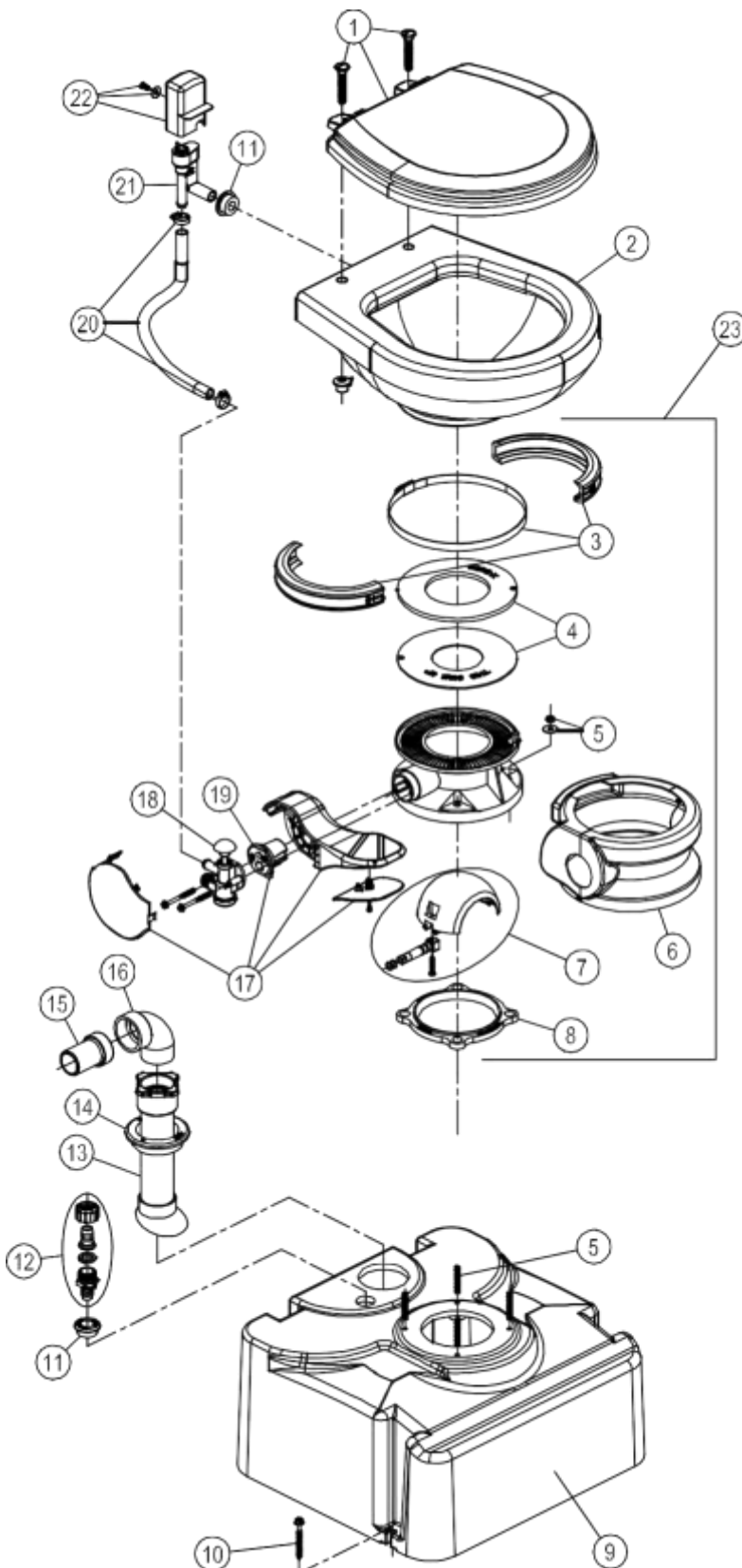
** ITEM 17 IS SOLD SEPARATELY; NOT INCLUDED WITH THE TOILET.

PARTS LIST: 511 H



ITEM	PART NO.	DESCRIPTION
1	385343829	SEAT ASSEMBLY, WHITE
	385343831	SEAT ASSEMBLY, BONE
	385343897	SEAT ASSEMBLY, PLATINUM
	385343901	SEAT ASSEMBLY, EBONY
2	385310739	CHINA BOWL KIT, WHITE
	385310740	CHINA BOWL KIT, BONE
	385310741	CHINA BOWL KIT, PLATINUM
	385310742	CHINA BOWL KIT, EBONY
3	385310048	BAND AND HALF CLAMP, KIT
4	385311462	SEAL REPLACEMENT , KIT
5	385310064	MOUNTING HARDWARE
6	385310108	PEDESTAL COVER KIT , WHITE
	385310109	PEDESTAL COVER KIT , BONE
	385310110	PEDESTAL COVER KIT , PLATINUM
	385310600	PEDESTAL COVER KIT , EBONY
7	385311559	KIT, BASE SH'T GRAV S.PED-WHT (INC 3-12)
	385311560	KIT, BASE SH'T GRAV S.PED-BON (INC 3-12)
	385311561	KIT, BASE SH'T GRAV S.PED-PLT (INC 3-12)
	385311562	KIT, BASE SH'T GRAV S.PED-EBY (INC 3-12)
8	385318162	KIT,BALL,SHAFT & CART, WHITE (INC 11)
	385310177	KIT,BALL,SHAFT & CART, EBONY (INC 11)
9	385311551	KIT, SHORT PAD/PEDAL COVER-WHT
	385311552	KIT, SHORT PAD/PEDAL COVER-BNE
	385311554	KIT, SHORT PAD/PEDAL/CART-PLAT
	385311555	KIT, SHORT PAD/PEDAL/CART-EB'Y
10	385314349	WATER VALVE, KIT
11	385236096	KIT, SPRING CARTRIDGE
12	385311553	KIT, SHORT PAD LEVER/CART (INC 11)
13	385340177	HOSE, SUPPLY - BONE, EBONY, PLAT
	385345377	HOSE, SUPPLY - WHITE
14	385316906	VACUUM BREAKER, KIT - WITHOUT SPRAY
	385230335	KIT, HAND SPRAY VB
15	385319056	KIT, VAC BREAKER W/SPRAY-CHR
	385319054	KIT, VAC BREAK W/SPRAY-WHITE
	385319057	KIT, VAC BREAKER W/SPRAY-EBONY
16	385310809	KIT, HAND SPRAY-CHROME
	385310873	KIT,SPRAY-EBONY
	385311124	KIT, HAND SPRAY-WHITE
17	385311131	BRACKET,HAND SPRAY-CHROME
	385311125	BRACKET,HAND SPRAY-EBONY
	385230319	KIT, BRACKET-HAND SPRAY
18	385310063	FLOOR FLANGE, KIT (INC 5)
(ITEM 19 SOLD SEPARATELY)		
19	385345889	FLOOR FLANGE, 3" MPT
	385345892	FLOOR FLANGE, 3" SOCKET
	385343765	FLOOR FLANGE, 3" SPIGOT
	385310961	FLOOR FLANGE ADAPTER, 45° SWIVEL (MUST BE USED WITH SEAL INC.)

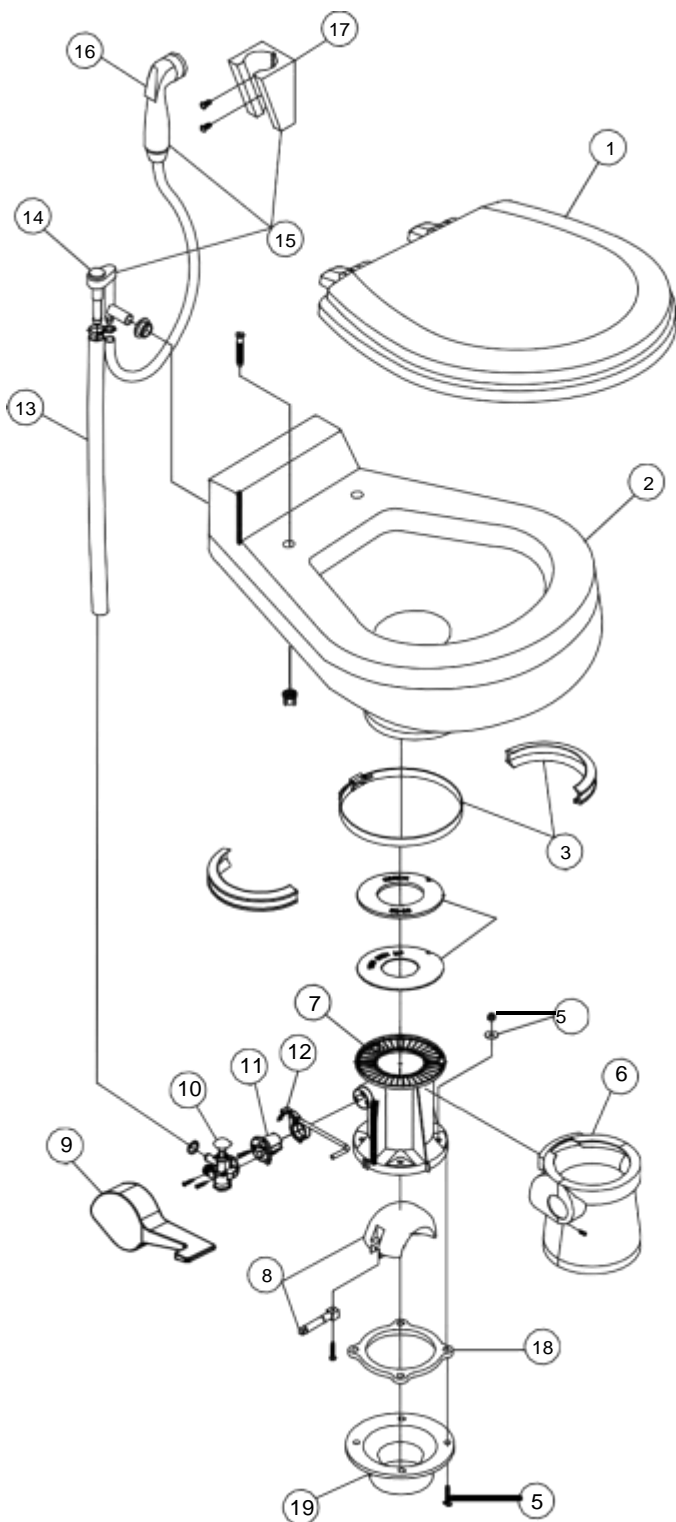
PARTS LIST: 711-M28 / 312371101 & 312371103



ITEM	PART NUMBER & DESCRIPTION
1	385344436 SEAT/COVER - WHITE
	385344437 SEAT/COVER - BONE
2	385310676 CHINA BOWL KIT - WHITE
	385310781 CHINA BOWL KIT - BONE
3	385310048 BOWL/BASE CLAMP KIT
4	385311462 FLUSH BALL SEAL REPLACEMENT KIT
5	385310534 BASE MOUNTING HARDWARE KIT
6	385310108 PEDESTAL COVER KIT - WHITE
	385310109 PEDESTAL COVER KIT - BONE
7	385310681 FLUSH BALL, SHAFT, CARTRIDGE KIT **INCLUDES ITEM 13.
8	385310063 FLOOR/BASE SEAL
9	385311287 M28 TANK - WHITE
	385310085 M28 TANK - BONE **INCLUDES ITEMS 8, 10-13
10	385310533 M28 TANK MOUNTING HARDWARE
11	385311164 1/2" SEALING GROMMET
12	385314362 M28 TANK VENT FITTING **INCLUDES ITEM 11.
13	385310532 M28 TANK DISCHARGE TUBE ASSEMBLY **INCLUDES ITEM 14.
14	385311110 2" SEALING GROMMET
15	385341513 1-1/2" HOSE ADAPTER FITTING
16	385311886 1-1/2" QUARTER BEND STREET ELBOW
17	385310682 PEDAL/CARTRIDGE KIT - WHITE
	385310762 PEDAL/CARTRIDGE KIT - BONE **INCLUDES ITEM 13.
18	385314349 WATER VALVE KIT
19	385310683 SPRING CARTRIDGE KIT
20	385345377 BOWL WATER SUPPLY HOSE - WHITE
	385340177 BOWL WATER SUPPLY HOSE - BONE
21	385316906 VACUUM BREAKER KIT **INCLUDES ITEM 11.
22	385310696 VACUUM BREAKER COVER - WHITE
	385310782 VACUUM BREAKER COVER - BONE
23	385311286 711 BASE KIT - WHITE
	385310891 711 BASE KIT - BONE **INCLUDES ITEM 3-8 & 17-19.

Dometic Corporation - Sanitation Systems
13128 Slate Rt. 226, P.O. Box 38
Big Prairie, OH 44611-0038 USA
Telephone: 330-496-3211
Fax: 330-496-3097
Email: sealand@dometicusa.com

PARTS LIST: 2010

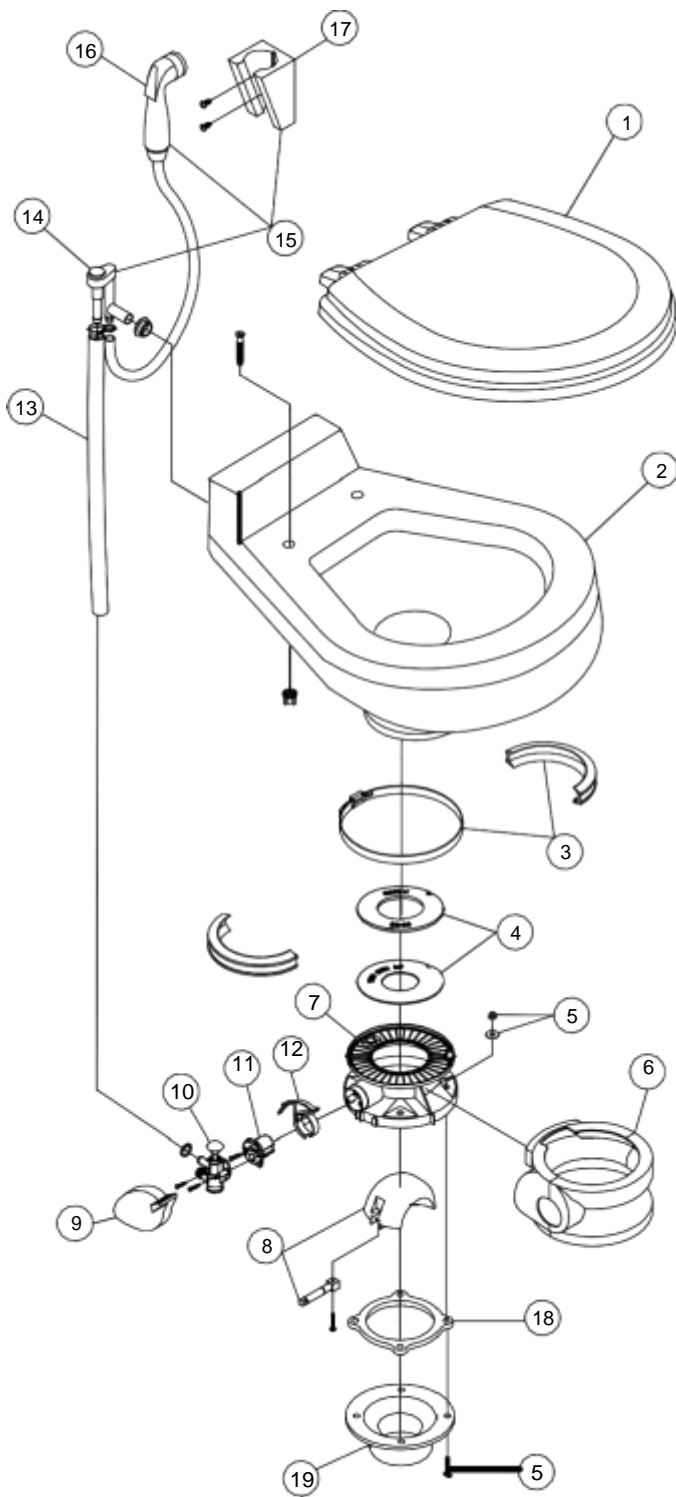


ITEM	PART NO.	DESCRIPTION
1	385344436	SEAT ASSEMBLY, WHITE
	385344437	SEAT ASSEMBLY, BONE
	385344438	SEAT ASSEMBLY, EBONY
2	385310615	CHINA BOWL KIT, WHITE
	385310616	CHINA BOWL KIT, BONE
	385310585	CHINA BOWL KIT, EBONY
3	385310048	BAND & HALF CLAMP KIT BONE
	385310025	BAND & HALF CLAMP KIT WHITE
4	385311462	SEAL REPLACEMENT KIT
5	385310064	MOUNTING HARDWARE
6	385310111	PEDESTAL COVER KIT - WHITE
	385310112	PEDESTAL COVER KIT - BONE
	385310173	PEDESTAL COVER KIT - EBONY
7	385310120	BASE KIT- WHITE (inc items 3-12)
	385310121	BASE KIT- BONE (inc items 3-12)
	385310169	BASE KIT- EBONY (inc items 3-12)
8	385318162	KIT,BALL,SHAFT & CART- WHITE(inc. item 11)
	385310177	KIT,BALL,SHAFT & CART- EBONY(inc. item 11)
9	385310114	PEDAL COVER - WHITE
	385310115	PEDAL COVER - BONE
	385310175	PEDAL COVER - EBONY
10	385314349	WATER VALVE - KIT
11	385236096	SPRING CARTRIDGE - KIT
12	385310578	PEDAL, CARTRIDGE, KIT (inc. item 11)
13	385340177	HOSE, SUPPLY - BONE & EBONY.
	385345377	HOSE, SUPPLY - WHITE
14	385316906	VACUUM BREAKER, KIT - USED WITHOUT SPRAY
	385230335	VACUUM BREAKER, KIT - USED WITH SPRAY
15	385319056	VACUUM BREAKER, COMPLETE - CHROME
	385319057	VACUUM BREAKER, COMPLETE - EBONY
16	385310873	HAND SPRAY - EBONY.
	385310809	HAND SPRAY - CHROME
17	385311131	BRACKET,HAND SPRAY-CHROME
	385311125	BRACKET,HAND SPRAY-EBONY
18	385310063	FLOOR FLANGE, (inc item 5)
19	385345889	FLOOR FLANGE, 3" MPT
	385345892	FLOOR FLANGE, 3" SOCKET
	385343765	FLOOR FLANGE, 3" SPIGOT
	385310961	FLOOR FLANGE ADAPTER, 45° SWIVEL (MUST BE USED WITH SEAL INC.)

(ITEM 19 SOLD SEPARATELY)

Dometic *Sealand*
Dometic Corporation - Sanitation Systems
13128 State Rt. 226, P.O. Box 38
Big Prairie, OH 44611-0038 USA
Telephone: 330-496-3211
Fax: 330-496-3097
Email: sealand@dometicus.com

PARTS LIST: 2011



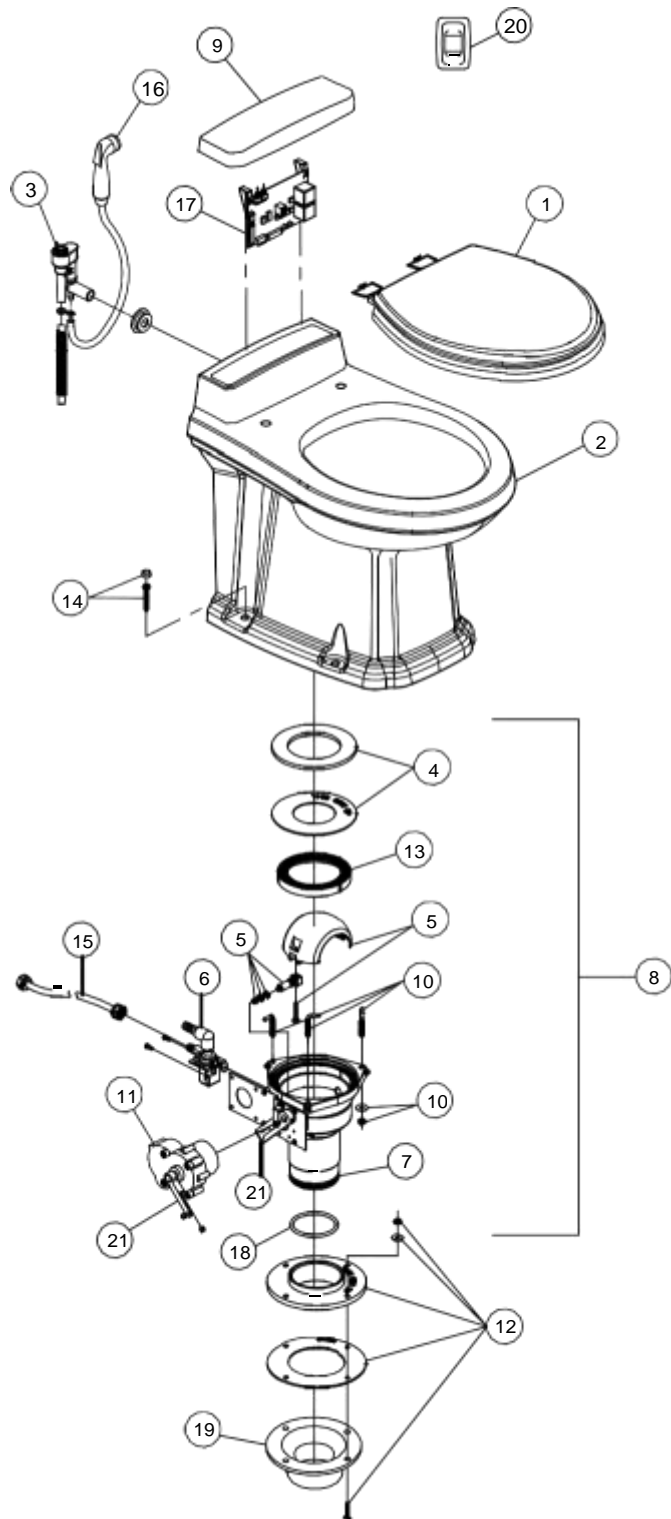
ITEM	PART NO.	DESCRIPTION
1	385344436	SEAT ASSEMBLY, WHITE
	385344437	SEAT ASSEMBLY, BONE
	385344438	SEAT ASSEMBLY, EBONY
2	385310615	CHINA BOWL KIT, WHITE
	385310616	CHINA BOWL KIT, BONE
	385310585	CHINA BOWL KIT, EBONY
3	385310048	BAND AND HALF CLAMP, KIT BONE
	385310025	BAND AND HALF CLAMP, KIT WHITE
4	385311462	SEAL REPLACEMENT , KIT
5	385310064	MOUNTING HARDWARE
6	385310108	PEDESTAL COVER KIT , WHITE
	385310109	PEDESTAL COVER KIT , BONE
	385310600	PEDESTAL COVER KIT , EBONY
7	385310123	BASE KIT, WHITE (inc items 3-12)
	385310124	BASE KIT, BONE (inc items 3-12)
	385310588	BASE KIT, EBONY (inc items 3-12)
8	385318162	KIT,BALL,SHAFT & CART, WHITE(inc. item 11)
	385310177	KIT,BALL,SHAFT & CART, EBONY(inc. item 11)
9	385310117	PEDAL COVER, WHITE
	385310118	PEDAL COVER, BONE
	385310593	PEDAL COVER, EBONY
10	385314349	WATER VALVE, KIT
11	385236096	SPRING CARTRIDGE, KIT
12	385310579	PEDAL, CARTRIDGE, KIT (inc. item 11)
13	385340177	HOSE, SUPPLY - BONE & EBONY.
	385345377	HOSE, SUPPLY - WHITE
14	385316906	VACUUM BREAKER, KIT - WITHOUT SPRAY
	385230335	VACUUM BREAKER, KIT - WITH SPRAY
15	385319056	VACUUM BREAKER, SPRAY & BRACKET, KIT
16	385310809	HAND SPRAY, CHROME
	385310873	HAND SPRAY, EBONY.
17	385311131	BRACKET,HAND SPRAY-CHROME
	385311125	BRACKET,HAND SPRAY-EBONY
18	385310063	FLOOR FLANGE, KIT (inc item 5)
19	385345889	FLOOR FLANGE, 3" MPT
	385345892	FLOOR FLANGE, 3" SOCKET
	385343765	FLOOR FLANGE, 3" SPIGOT
	385310961	FLOOR FLANGE ADAPTER, 45° SWIVEL *MUST BE USED WITH SEAL PROVIDED.

(ITEM 19 SOLD SEPARATELY)



Dometic Corporation - Sanitation Systems
13128 State Rt. 226, P.O. Box 38
Big Prairie, OH 44611-0038 USA
Telephone: 330-496-3211
Fax: 330-496-3097
Email: sealand@dometicus.com

PARTS LIST: 3110 PLUG IN BASE

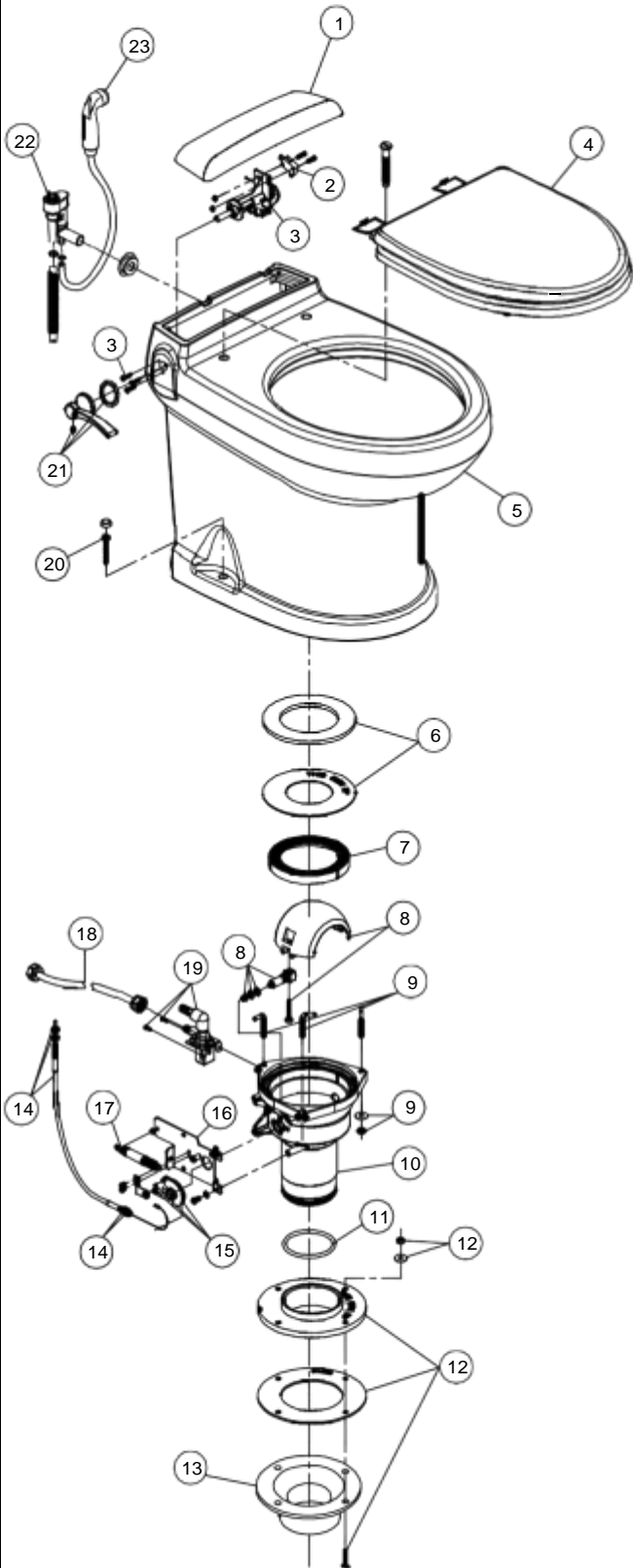


ITEM	PART NUMBER	DESCRIPTION
1	385344013	KIT, SEAT-CV'R MAG OP-WHITE
	385344014	KIT, SEAT-CV'R MAG OP-BONE
	385344018	KIT, SEAT-CV'R MAG OP-PLAT
	385344019	KIT, SEAT-CV'R MAG OP-EBONY
2	385310811	KIT,BOWL MAGNUM OPUS WHT TALL
	385310812	KIT,BOWL MAGNUM OPUS BONE TALL
	385310867	KIT,BOWL MAGNUM OPUS PLAT TALL
	385310869	KIT,BOWL MAGNUM OPUS EBY TALL
3	385310807	KIT, VAC BRK'R ASY/PLUGIN BASE
	385310808	KIT, VAC BRK'K SPRAY/PLUGIN BS
4	385311009	KIT, PLUG IN BASE SEALS
5	385310969	KIT, MO HALFB'L/SHAFT AY-WHT
	385310971	KIT, MO HALFB'L/SHAFT AY-EBY
6	385310821	KIT, WATER VALVE12/MAGNUM OPUS
7	385311051	KIT, BASE 3010 ASSY (INC. 4,5,10,13)
8	385311050	KIT, BASE 3010 PLUGIN COMPLETE
9	385310851	KIT,ACCESS LID/MAGNUM OPUS WHT
	385310852	KIT,ACCESS LID/MAGNUM OPUS BON
	385310864	KIT,ACCESS LID MAG OPUS/PLAT
	385310866	KIT,ACCESS LID/MAGNUM OPUS EBY
10	385311011	KIT, CON'TO L-BOLT/NUTS/WSHR
11	385310822	KIT, 12 MOTOR/MTG HARDWARE MO
12	385311013	KIT, CON'TO FLOOR FLANGE ADPT
13	385311292	KIT, BASE RING INSERT
14	385310785	KIT, MOUNTING-ECOVAC - BONE
	385310679	KIT, MOUNTING-ECOVAC - WHITE
	385310813	KIT, MOUNT/MAGNUM OPUS/CHROME
	385310814	KIT, MOUNT/MAGNUM OPUS/GOLD
15	385311018	KIT, PLUG-IN SUPPLY HOSE
16	385310809	KIT, HAND SPRAY-CHROME
	385310873	KIT,SPRAY-EBONY
17	385310887	KIT,MAG OPUS C BOARD-12/TRAV
18	385311294	KIT, O'RING PLUG-IN BASE
19	385343765	FLOOR FLANGE 3" SPIGOT (NOT INC.)
	385345892	FLOOR FLANGE 3" HUB (NOT INC.)
	385345889	FLOOR FLANGE 3" MPT (NOT INC.)
	307344653	FLOOR FLANGE 45° SWIVEL (NOT INC.)
20	385311139	KIT, WALL MT SWITCH-GRAVITY (CABLE INC. 8')
21	385311417	KIT, BASE DRIVE ARMS
N/S	385310854	KIT,ACCESS LID MT/MAGNUM OPUS

* WHENEVER THE BASE IS REMOVED, YOU MUST REPLACE THE L-BOLTS AND NUTS.

Dometic *Sealand*
Dometic Corporation - Sanitation Systems
13128 State Rt. 226, P.O. Box 38
Big Prairie, OH 44611-0038 USA
Telephone: 330-496-3211
Fax: 330-496-3097
Email: sealand@dometicusa.com

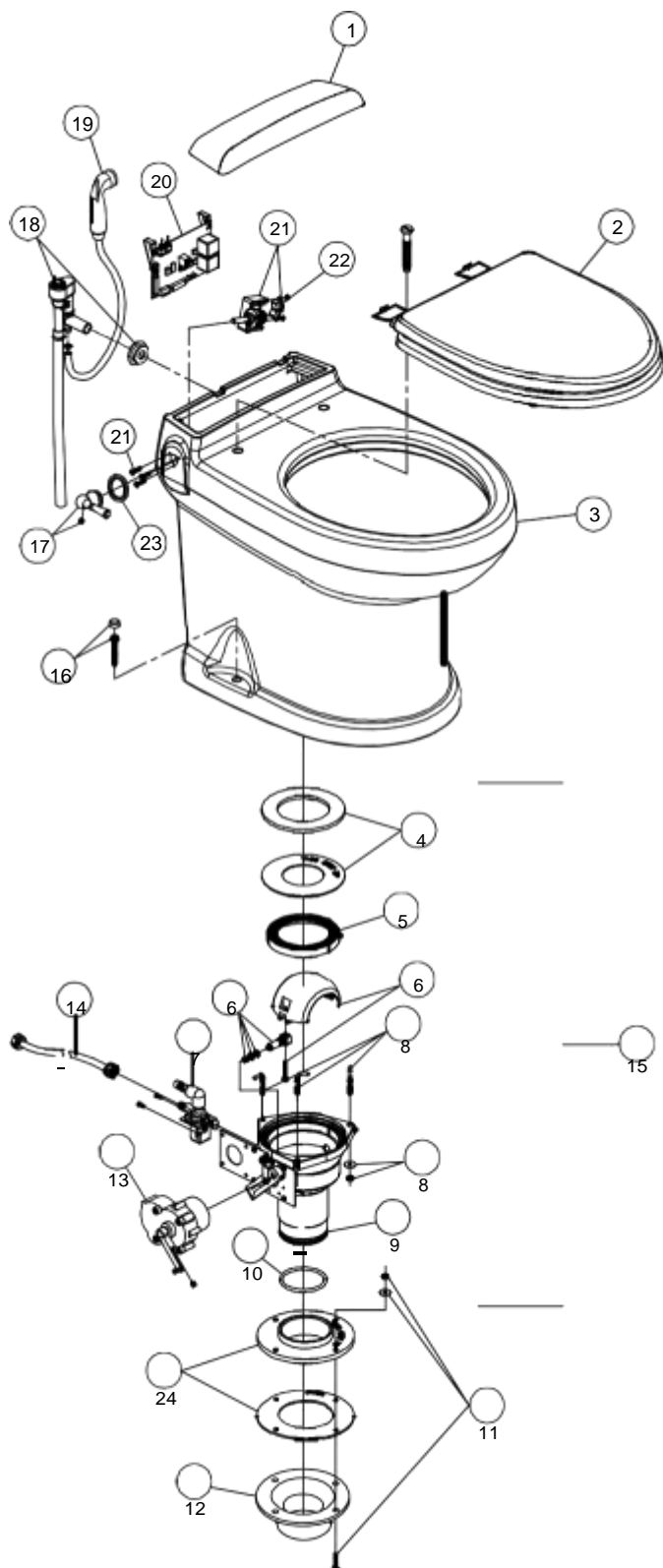
PARTS LIST: 3200 PLUG IN BASE



ITEM	PART NO.	DESCRIPTION
1	385311001	ACCESS COVER, WHITE
	385311002	ACCESS COVER, BONE
2	385311003	FLUSH SWITCH ASSY
3	385311004	FLUSH SHAFT HANDLE KIT
4	385311005	SEAT & LID WHITE
	385311006	SEAT & LID BONE
5	385311007	CHINA BOWL, WHITE (inc. lid & dual lock)
	385311008	CHINA BOWL, BONE (inc. lid & dual lock)
6	385311009	BOWL SEAL KIT
7	600343534	RING BASE INSERT
8	385311010	SHAFT/HALF BALL KIT
9	385311011	J-BOLT W/NUTS, WASHER
10	385311028	CONCERTO BASE
11	600344609	O'RING 3.1 X 3.5 X .21
12	385311013	FLOOR FLANGE ADAPTER KIT
	385343765	FLOOR FLANGE 3" SPIGOT
	385345892	FLOOR FLANGE 3" HUB
	385345889	FLOOR FLANGE 3" MALE PIPE THREAD
13*	385310961	FLOOR FLANGE 45° SWIVEL *must use with seal included in kit.
14	385311014	FLUSH CABLE KIT
15	385311015	PULLEY KIT
16	385311016	BASE BRACKET
17	385311017	RETURN SPRING KIT
18	385311018	SUPPLY, HOSE
19	385310821	KIT, WATER VALVE12
20	385311020	MOUNTING HARDWARE CHROME
	385311021	MOUNTING HARDWARE GOLD
	385311022	KIT, CON'TO MT'G HARD-BONE/WHT
21	385311023	FLUSH HANDLE CHROME
	385311024	FLUSH HANDLE GOLD
	385311025	FLUSH HANDLE NICKEL
22	385310807	KIT, VAC BRK'R ASY/PLUGIN BASE
	385310808	KIT, VAC BRK'K SPRAY/PLUGIN BASE
23	385310809	HAND SPRAY, CHROME

*ITEM 13 SOLD SEPARATELY

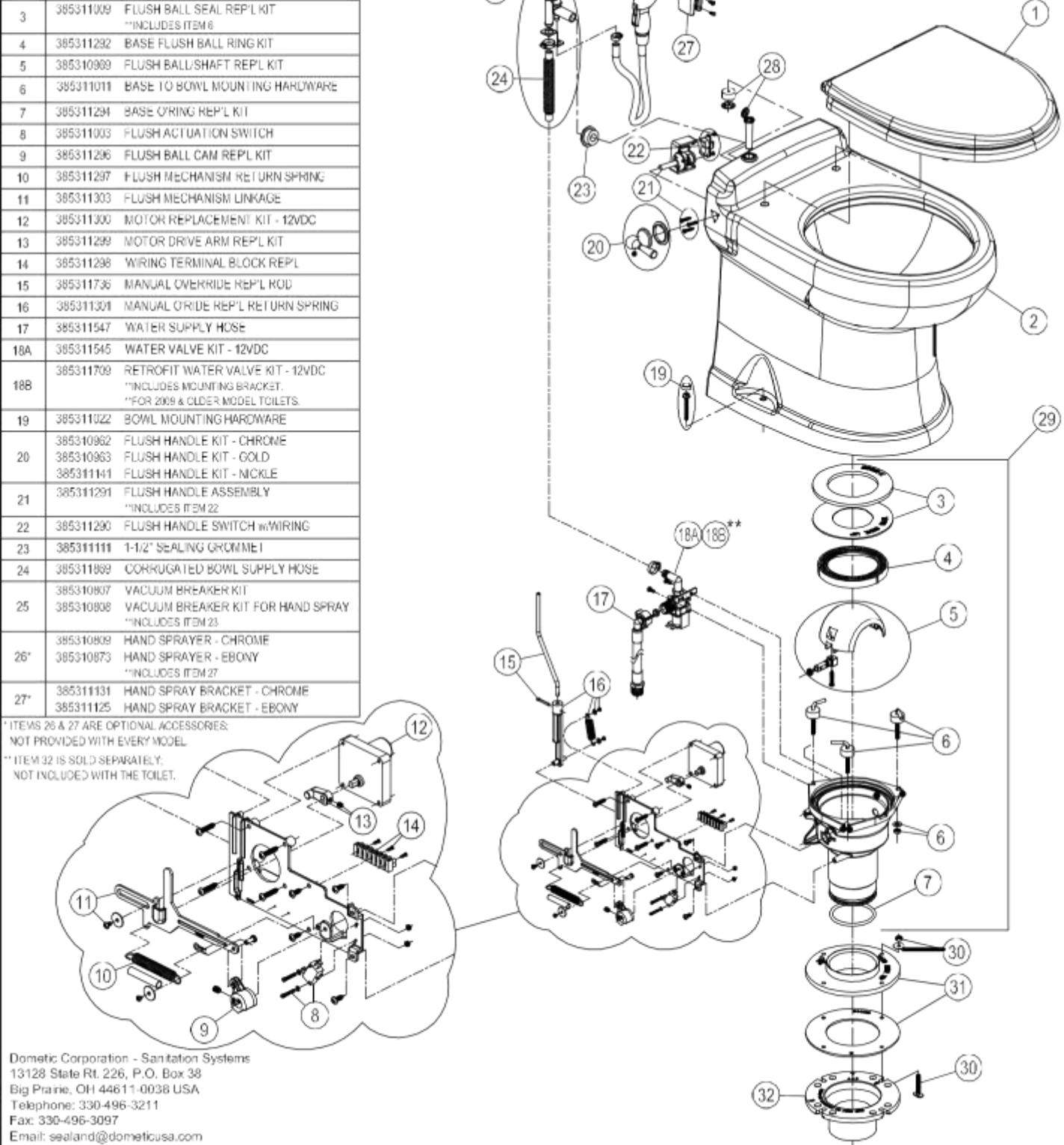
PARTS LIST: 3310 PLUG IN BASE



ITEM	PART NUMBER	DESCRIPTION
1	385311001	ACCESS COVER, WHITE
	385311002	ACCESS COVER, BONE
2	385311005	SEAT & COVER - WHITE
	385311006	SEAT & COVER - BONE
3	385311007	CHINA BOWL, WHITE
	385311008	CHINA BOWL, BONE
4	385311009	KIT, SEAL PLUG IN BASE
5	385311292	KIT, BASE RING INSERT
6	385310969	SHAFT/ HALF BALL KIT
7	385310821	WATER VALVE w/MOUNTING SCREWS (12VDC)
8	385311011	L- BOLTS/NUTS /WASH/ PLUG IN BASE
9	385311051	BASE PLUG IN (inc. item 8 - 10)
10	385311294	KIT, O'RING PLUG-IN BASE
11	385310064	MOUNTING KIT
12	385343765	FLOOR FLANGE 3" SPIGOT (sold separately)
	385345892	FLOOR FLANGE 3" HUB (sold separately)
	385345889	FLOOR FLANGE 3" MALE PIPE THREAD (sold separately)
	307344653	FLOOR FLANGE 45° SWIVEL (sold separately)
13	385310822	MOTOR & MOUNTING HARDWARE (12VDC)
14	385311018	SUPPLY HOSE
15	385311177	COMPLETE BA SE 3310 PLUG IN (INCLU DES ITEMS 4 -11 & 13)
16	385310679	MOUNTING KIT - WHITE
	385310785	MOUNTING KIT - BONE
17	385310962	FLUSH HANDLE WITH SET SCREW, CHROME
	385310963	FLUSH HANDLE WITH SET SCREW, GOLD
	385311141	FLUSH HANDLE WITH SET SCREW, NICKEL
18	385311026	VACUUM BREAKER KIT
	385311027	VACUUM BREAKER KIT - WITH SPRAY
19	385310809	HAND SPRAY
20	385311174	CONTROL MODULE 12VDC GRAVITY
21	385311175	FLUSH CONTROL ASSEMBLY w/CABLE
22	385311176	ROCKER SWITCH w/CABLE
23	600344695	WASHER, FLUSH HANDLE
24	385311013	FLOOR FLANGE ADAPTER KIT
N/S	385310854	ACCESS COVER MOUNTING KIT
N/S	385311417	KIT, BASE DRIVE ARMS

PARTS LIST: 4310 MODEL

ITEM	PART NUMBER & DESCRIPTION					
1	385311005 SEAT/COVER - WHITE	28	385311733 MANUAL OVERRIDE GUIDE - WHITE	30	385310064 FLOOR FLANGE MOUNTING HARDWARE	
	385311006 SEAT/COVER - BONE		385311734 MANUAL OVERRIDE GUIDE - BONE		31	385311013 FLOOR FLANGE ADAPTER KIT **INCLUDES ITEMS 30
	385311597 SEAT/COVER - EBONY		385311735 MANUAL OVERRIDE GUIDE - EBONY			32**
2	385311730 4300/4400 BOWL KIT - WHITE	29	385311729 4310/4410 PLUG-IN BASE KIT - WHITE	385345892 3" SOCKET FLOOR FLANGE		
	385311731 4300/4400 BOWL KIT - BONE		385311737 4310/4410 PLUG-IN BASE KIT - EBONY	385345889 3" MPT FLOOR FLANGE		
	385311732 4300/4400 BOWL KIT - EBONY **INCLUDES ITEM 6		**INCLUDES ITEM 3-16 & 18	307344653 FLOOR FLANGE 45" SWIVEL		



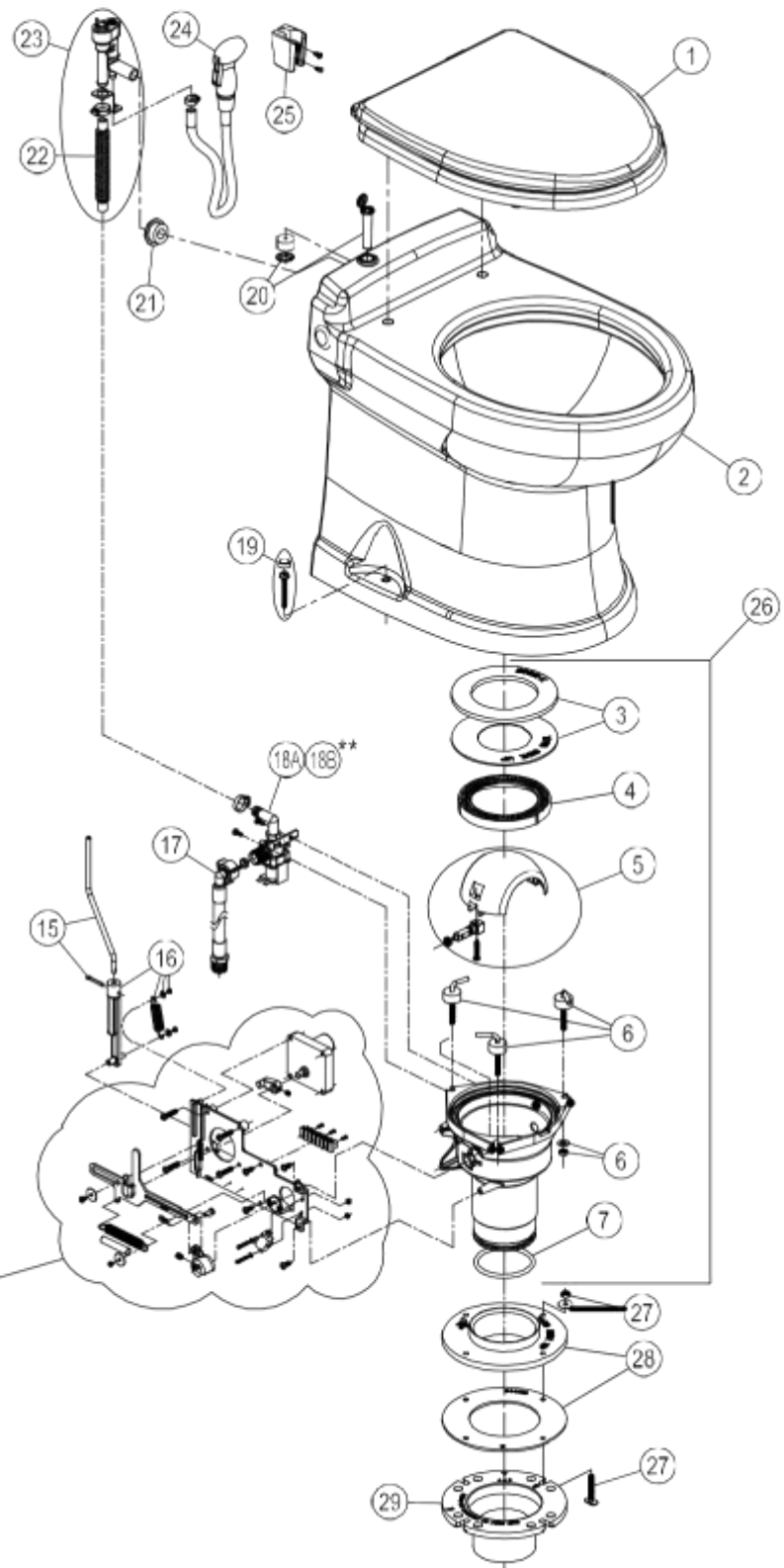
* ITEMS 26 & 27 ARE OPTIONAL ACCESSORIES.
NOT PROVIDED WITH EVERY MODEL.
** ITEM 32 IS SOLD SEPARATELY.
NOT INCLUDED WITH THE TOILET.

Dometic Corporation - Sanitation Systems
13128 State Rt. 226, P.O. Box 38
Big Prairie, OH 44611-0038 USA
Telephone: 330-496-3211
Fax: 330-496-3097
Email: sealand@dometicusa.com

PARTS LIST: 4410 MODEL

ITEM	PART NUMBER & DESCRIPTION	27	385310064 FLOOR FLANGE MOUNTING HARDWARE	29**	385343765 3" SPIGOT FLOOR FLANGE 385345892 3" SOCKET FLOOR FLANGE 385345889 3" MPT FLOOR FLANGE 307344653 FLOOR FLANGE 45° SWIVEL
1	385311005 SEAT/COVER - WHITE 385311006 SEAT/COVER - BONE 385311597 SEAT/COVER - EBONY	28	385311013 FLOOR FLANGE ADAPTER KIT **INCLUDES ITEMS 27		

2	385311730 4300/4400 BOWL KIT - WHITE 385311731 4300/4400 BOWL KIT - BONE 385311732 4300/4400 BOWL KIT - EBONY **INCLUDES ITEM 6
3	385311009 FLUSH BALL SEAL REPL KIT **INCLUDES ITEM 6
4	385311292 BASE FLUSH BALL RING KIT
5	385310909 FLUSH BALL/SHAFT REPL KIT
6	385311011 BASE TO BOWL MOUNTING HARDWARE
7	385311294 BASE O-RING REPL KIT
8	385311003 FLUSH ACTUATION SWITCH
9	385311296 FLUSH BALL CAM REPL KIT
10	385311297 FLUSH MECHANISM RETURN SPRING
11	385311303 FLUSH MECHANISM LINKAGE
12	385311300 MOTOR REPLACEMENT KIT - 12VDC
13	385311299 MOTOR DRIVE ARM REPL KIT
14	385311298 WIRING TERMINAL BLOCK REPL
15	385311736 MANUAL OVERRIDE REPL ROD
16	385311301 MANUAL O'RIDE REPL RETURN SPRING
17	385311547 WATER SUPPLY HOSE
18A	385311545 WATER VALVE KIT - 12VDC
18B	385311709 RETROFIT WATER VALVE KIT - 12VDC **INCLUDES MOUNTING BRACKET. **FOR 2008 & OLDER MODEL TOILETS.
19	385311022 BOWL MOUNTING HARDWARE
20	385311733 MANUAL OVERRIDE GUIDE - WHITE 385311734 MANUAL OVERRIDE GUIDE - BONE 385311735 MANUAL OVERRIDE GUIDE - EBONY
21	385311111 1-1/2" SEALING GROMMET
22	385311869 CORRUGATED BOWL SUPPLY HOSE
23	385310907 VACUUM BREAKER KIT 385310908 VACUUM BREAKER KIT FOR HAND SPRAY **INCLUDES ITEM 21
24*	385310809 HAND SPRAYER - CHROME 385310873 HAND SPRAYER - EBONY **INCLUDES ITEM 25
25*	385311131 HAND SPRAY BRACKET - CHROME 385311125 HAND SPRAY BRACKET - EBONY
26	385311729 4310/4410 PLUG-IN BASE KIT - WHITE 385311737 4310/4410 PLUG-IN BASE KIT - EBONY **INCLUDES ITEM 3-16 & 18

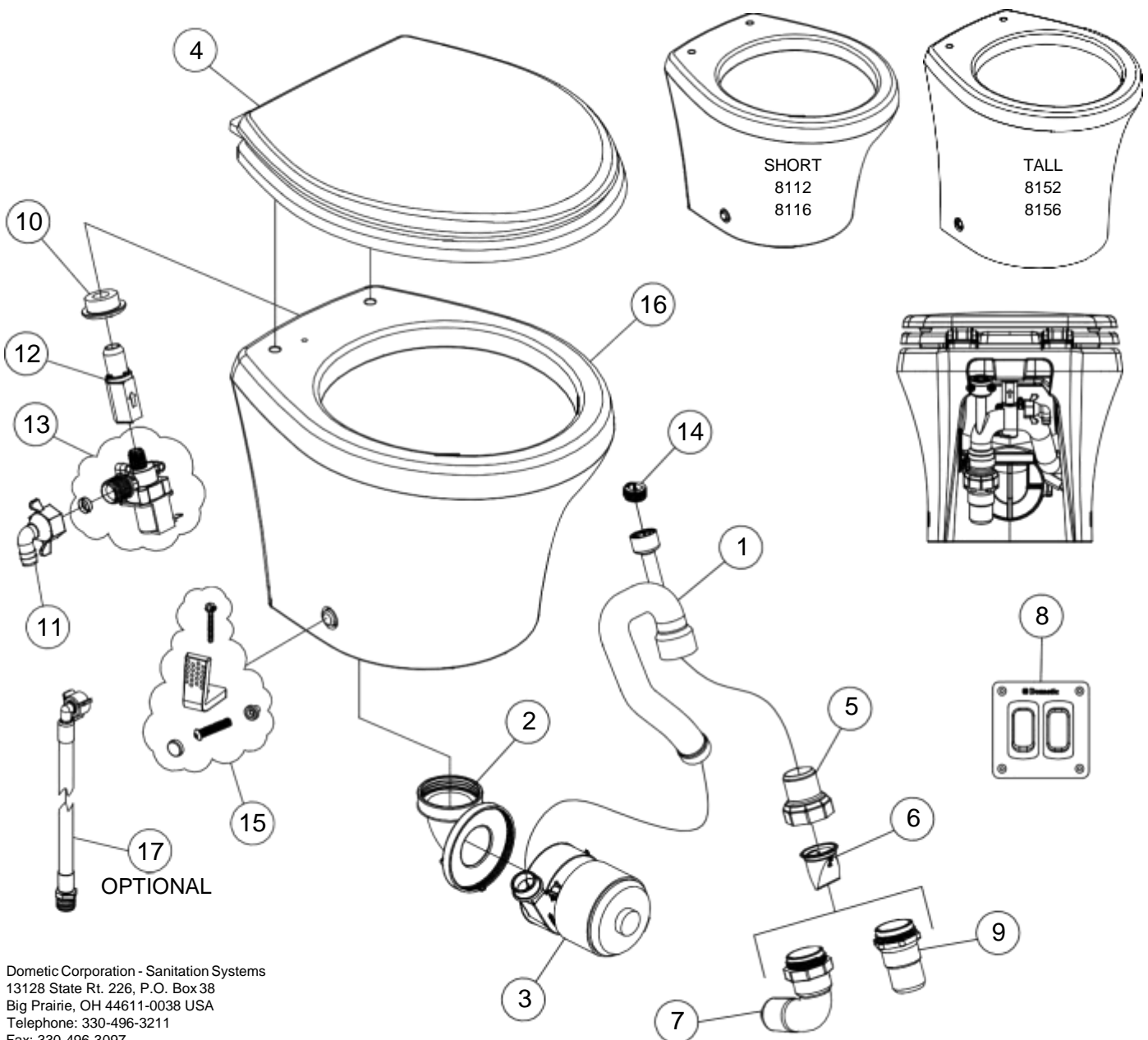


* ITEMS 24 & 25 ARE OPTIONAL ACCESSORIES.
NOT PROVIDED WITH EVERY MODEL.
** ITEM 29 IS SOLD SEPARATELY.
NOT INCLUDED WITH THE TOILET.

Dometic Corporation - Sanitation Systems
13128 State Rt. 226, P.O. Box 38
Big Prairie, OH 44611-0038 USA
Telephone: 330-496-3211
Fax: 330-496-3097
Email: sealand@dometicusa.com

PARTS LIST: 8100 SERIES

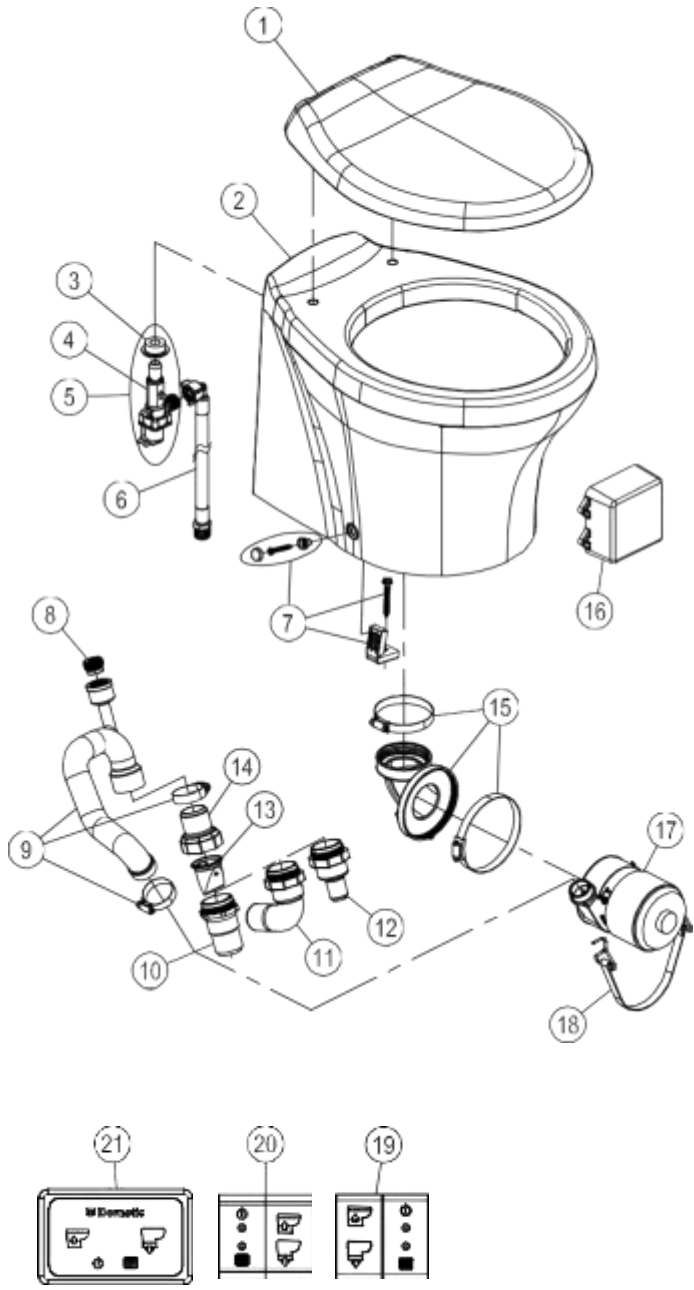
ITEM	PART NO.	DESCRIPTION	ITEM	PART NO.	DESCRIPTION
1	385880065	KIT, TUBE OUTLET SHORT M'FLUSH	11	385311717	KIT, 1/2" FPT SWIVEL ELBOW
2	385880067	KIT, BOWL OUTLET M'FLUSH	12	385880073	KIT CHECK VALVE M'FLUSH (INC. 10)
3	385880068	KIT, MOTOR ASSEMBLY 12VDC M'FLUSH	13	385880074	KIT, W'VALVE 12VDC M'FLUSH (INC. 10,12)
	385880069	KIT, MOTOR ASSEMBLY 24VDC M'FLUSH		385880075	KIT, W'VALVE 24VDC M'FLUSH (INC. 10,12)
4	385311694	KIT, SEAT-CV'R 4800 WOOD-WHITE	14	385880080	KIT, ANTISIPHON VALVE M'FLUSH
	385311695	KIT, SEAT-CV'R 4800 WOOD-BONE	15	385311463	KIT, 4800 CHINA MTG
5	385880070	KIT, ADAPTER M'FLUSH	16	385880076	KIT, BOWL 8900 SHORT WHITE
6	385311620	KIT, DB VALVE 1-1/2"-BLACK (1)		385880077	KIT, BOWL 8900 SHORT BONE
7	385880071	KIT, 1-1/2" OUTLET EL M'FLUSH		385880078	KIT, BOWL 8900 TALL WHITE
8	385311702	KIT, 8100 FLUSH SWITCH ASSY		385880079	KIT, BOWL 8900 TALL BONE
9	385311315	KIT, NIPPLE-RH THREADS	17	385311547	KIT, SUPPLY HOSE-4800 (OPTIONAL)
10	385311164	KIT, SEALING GROMMET 1/2"	N/S	385880083	KIT, STRAP MOTOR M'FLUSH



Dometic Corporation - Sanitation Systems
13128 State Rt. 226, P.O. Box 38
Big Prairie, OH 44611-0038 USA
Telephone: 330-496-3211
Fax: 330-496-3097
Email: sealand@dometicusa.com

PARTS LIST: 8600 SHORT SERIES

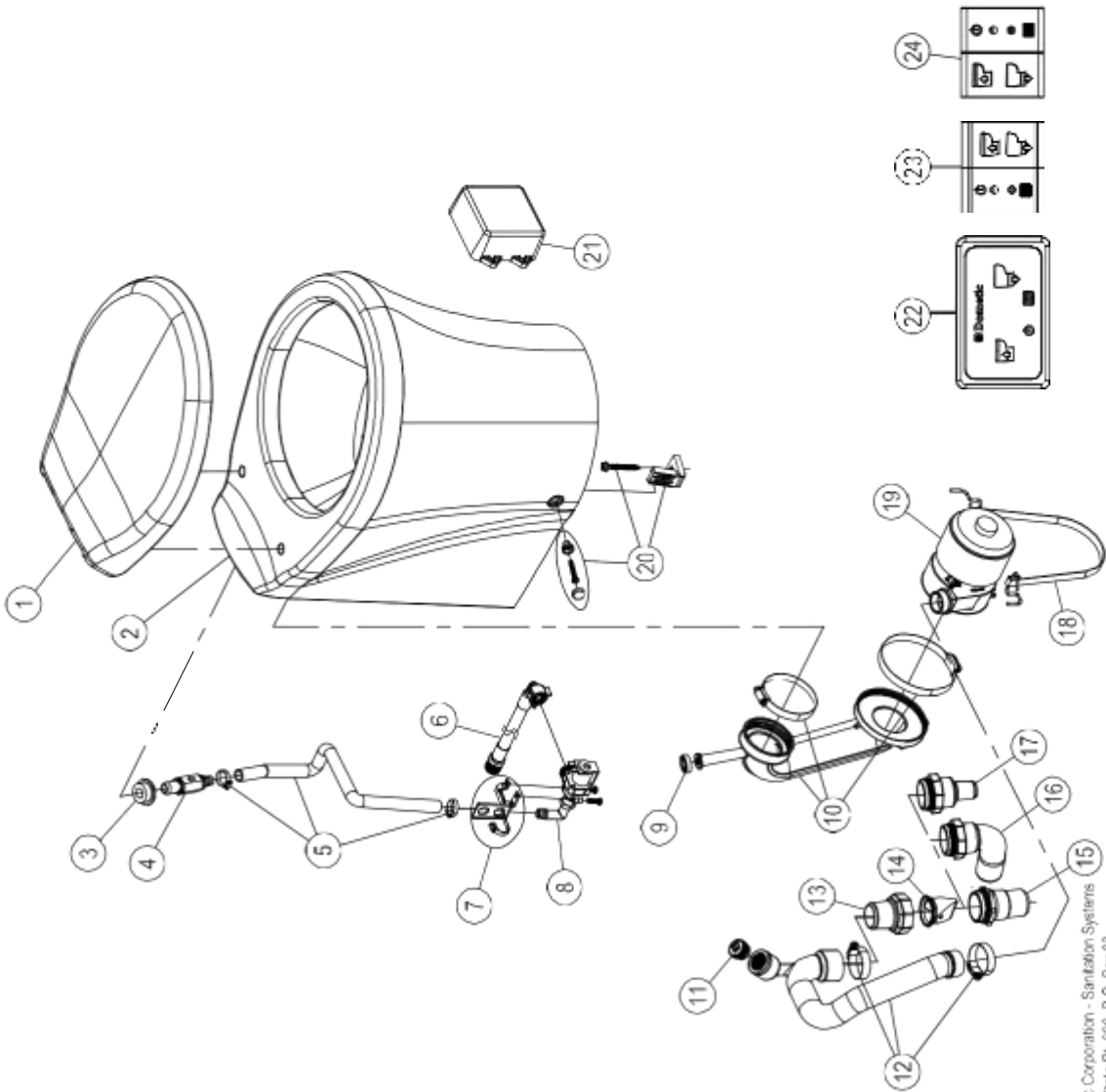
ITEM	PART NUMBER & DESCRIPTION
1	385311618 SEAT/COVER SLOW CLOSE - WHITE
	385311383 SEAT/COVER - BONE
2	385311768 8600 SHORT SERIES BOWL KIT - WHITE
	385311769 8600 SHORT SERIES BOWL KIT - BONE
3	385311164 1/2" SEALING GROMMET
4	385880073 CHECKVALVE REPLACEMENT
5	385880074 WATER VALVE KIT - 12VDC
	385880075 WATER VALVE KIT - 24VDC **INCLUDES ITEM 3 & 4.
6	385311547 WATER SUPPLY HOSE REPLACEMENT
7	385311463 BOWL MOUNTING HARDWARE KIT
8	385880080 ANTISIPHON VALVE ASSEMBLY
9	385880065 DISCHARGE TUBE - SHORT SERIES **INCLUDES ITEM 8.
10	385311315 1-1/2" VALVE ADAPTER
11	385880071 1-1/2" VALVE ADAPTER ELBOW
12	385880072 1" VALVE ADAPTER
13	385311620 1-1/2" CHECK VALVE
14	385880070 DISCHARGE TUBE VALVE ADAPTER
15	385880067 BOWL OUTLET ELBOW
16	385880085 CONTROL MODULE 12/24VDC (DBL)
17	385880068 MOTOR/MACERATOR ASSY - 12VDC
	385880069 MOTOR/MACERATOR ASSY - 24VDC
18	385880083 MOTOR/MAC MOUNTING STRAP
19	313600111 FLUSH SWITCH - GEWISS GRAY
20	313600001 FLUSH SWITCH - VIMAR WHITE
	313600002 FLUSH SWITCH - VIMAR GRAY
21	313600021 DOMETIC TOUCHPAD FLUSH SWITCH - WHITE
	313600022 DOMETIC TOUCHPAD FLUSH SWITCH - BLACK
NOT SHOWN	385880082 DOMETIC TOUCHPAD FLUSH SWITCH CABLE
NOT SHOWN	385880081 VIMAR/GEWISS FLUSH SWITCH WIRE HARNESS



Dometic Corporation - Sanitation Systems
13128 State Rt. 226 P.O. Box 28
Big Prairie, OH 44611-0028 USA
Telephone: 330-498-3211
Fax: 330-496-3097
Email: sealand@dometicus.com

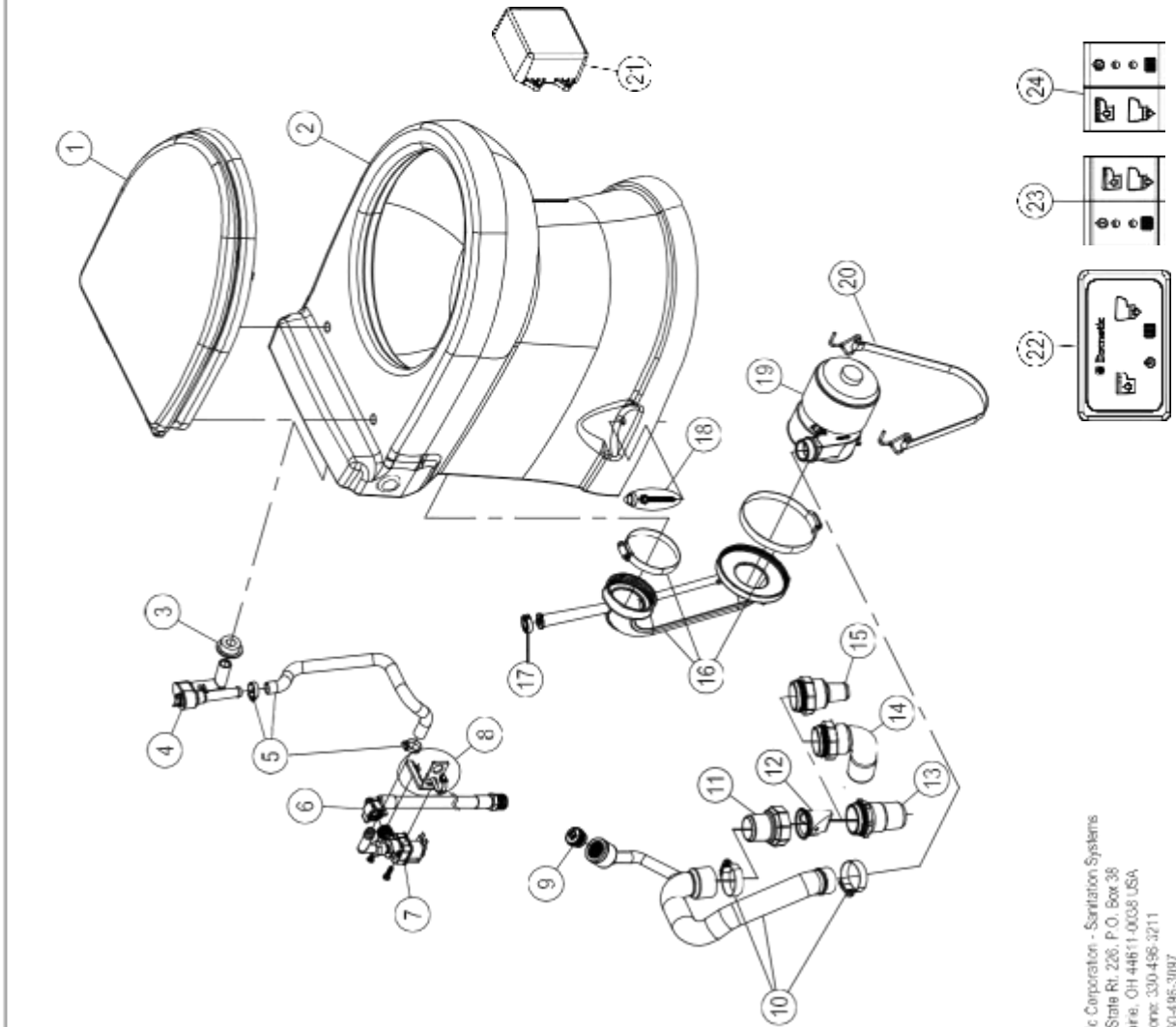
PARTS LIST: 8600 TALL SERIES

ITEM	PART NUMBER & DESCRIPTION
1	385311618 SEAT/COVER SLOW CLOSE - WHITE 385311383 SEAT/COVER - BONE
2	385311758 8600 TALL SERIES BOWL KIT - WHITE 385311759 8600 TALL SERIES BOWL KIT - BONE
3	385311164 1/2" SEALING GROMMET
4	385311456 CHECK VALVE REPLACEMENT
5	385345277 BOWL WATER SUPPLY HOSE
6	385311547 WATER SUPPLY HOSE REPLACEMENT
7	385311705 WATER VALVE MOUNTING BRACKET KIT
8	385311545 WATER VALVE KIT - 12VDC 385311546 WATER VALVE KIT - 24VDC
9	385311707 BOWL OUTLET TUBE FLAPPER VALVE
10	385311761 BOWL OUTLET TUBE **INCLUDES ITEM 9.
11	385880080 ANTIPHON VALVE ASSEMBLY
12	385311760 DISCHARGE TUBE - 8600 TALL SERIES **INCLUDES ITEM 11.
13	385311070 DISCHARGE TUBE VALVE ADAPTER
14	385311620 1-1/2" CHECK VALVE
15	385311315 1-1/2" VALVE ADAPTER
16	385880071 1-1/2" VALVE ADAPTER ELBOW
17	385880072 1" VALVE ADAPTER
18	385311762 MOTOR/MAC MOUNTING STRAP
19	385880068 MOTOR/MACERATOR ASSY - 12VDC 385880069 MOTOR/MACERATOR ASSY - 24VDC
20	385311463 BOWL MOUNTING HARDWARE KIT
21	385311875 CONTROL MODULE 12/24VDC (DBH)
22	313600021 DOMETIC TOUCHPAD FLUSH SWITCH - WHITE 313600022 DOMETIC TOUCHPAD FLUSH SWITCH - BLACK
23	313600001 FLUSH SWITCH - VIMAR WHITE 313600002 FLUSH SWITCH - VIMAR GRAY
24	313600111 FLUSH SWITCH - GEWISS GRAY
NOT SHOWN	385880082 DOMETIC TOUCHPAD FLUSH SWITCH CABLE
NOT SHOWN	385880081 VIMAR/GEWISS FLUSH SWITCH WIRE HARNESS



Domestic Corporation - Sanitation Systems
13128 State Rt. 226, P.O. Box 38
Big Prairie, OH 44611-0038 USA
Telephone: 330-486-3211
Fax: 330-486-3267
Email: sealand@domesticusa.com

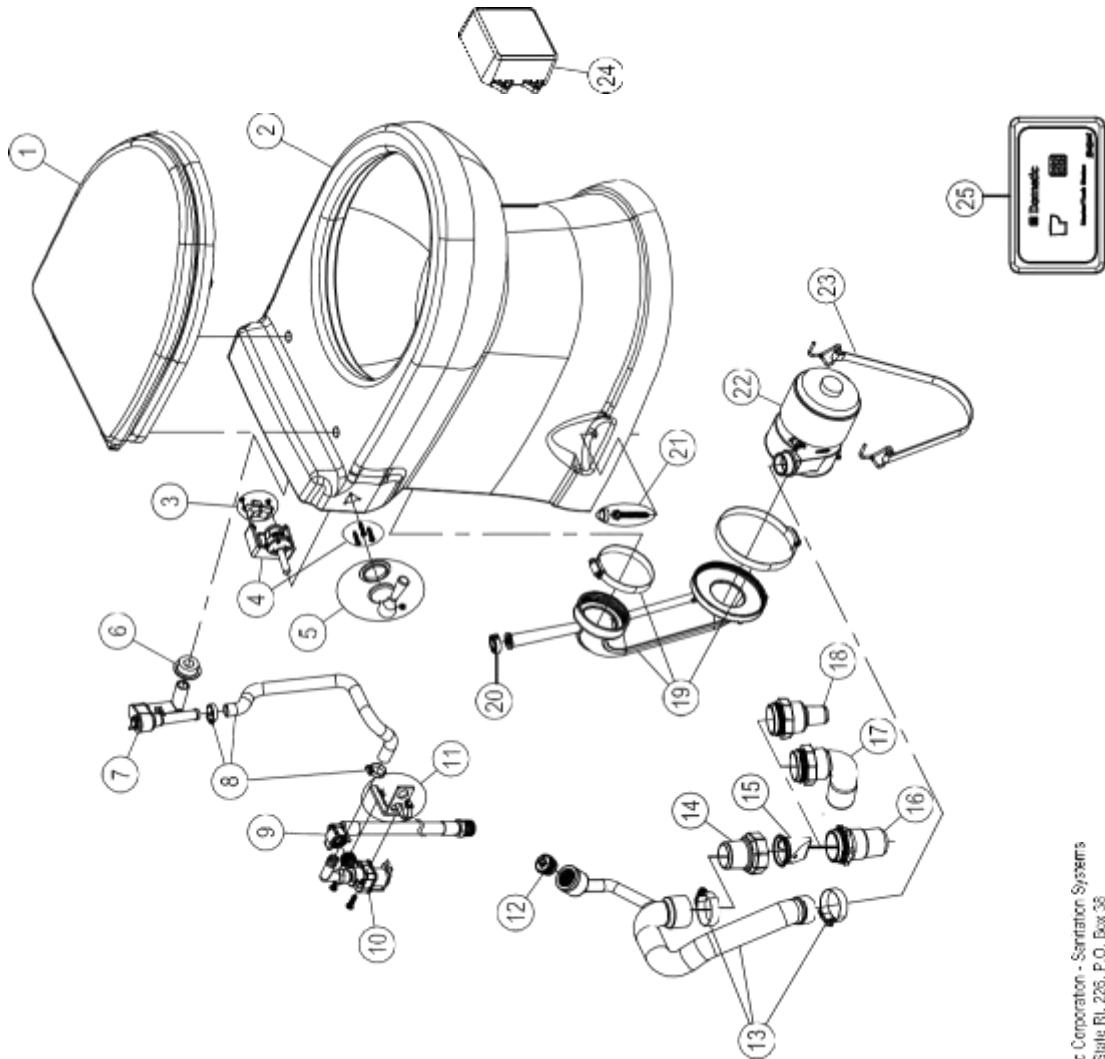
PARTS LIST: 8700 TALL SERIES w/FLUSH SWITCH



ITEM	PART NUMBER & DESCRIPTION
1	385311005 SEAT/COVER WOOD - WHITE
	385311006 SEAT/COVER WOOD - BONE
	385311597 SEAT/COVER WOOD - EBONY
2	385311934 8700 SERIES BOWL KIT - WHITE
	385311935 8700 SERIES BOWL KIT - BONE
	385311936 8700 SERIES BOWL KIT - EBONY
3	385311164 1/2" SEALING GROMMET
4	385311906 VACUUM BREAKER KIT **INCLUDES ITEM 3.
5	385345377 BOWL WATER SUPPLY HOSE
6	385311547 WATER SUPPLY HOSE REPLACEMENT
7	385311545 WATER VALVE KIT - 12VDC
	385311546 WATER VALVE KIT - 24VDC
8	385311705 WATER VALVE MOUNTING BRACKET KIT
9	385880080 ANTISIPHON VALVE ASSEMBLY
10	385311706 DISCHARGE TUBE - 8700 SERIES **INCLUDES ITEM 9.
	385880070 DISCHARGE TUBE VALVE ADAPTER
12	385311620 1-1/2" CHECK VALVE
13	385311315 1-1/2" VALVE ADAPTER
14	385880071 1-1/2" VALVE ADAPTER ELBOW
15	385880072 1" VALVE ADAPTER
16	385311708 BOWL OUTLET TUBE
	**INCLUDES ITEM 17.
17	385311707 BOWL OUTLET TUBE FLAPPER VALVE
18	385311022 BOWL MOUNTING HARDWARE
19	385880068 MOTORMACERATOR ASSY - 12VDC
	385880069 MOTORMACERATOR ASSY - 24VDC
20	385311779 MOTORMAC MOUNTING STRAP
21	385311875 CONTROL MODULE 12/24VDC (DBH)
22	313600021 DOMETIC TOUCHPAD FLUSH SWITCH - WHITE
	313600022 DOMETIC TOUCHPAD FLUSH SWITCH - BLACK
23	313600001 FLUSH SWITCH - VIMAR WHITE
	313600002 FLUSH SWITCH - VIMAR GRAY
24	313600111 FLUSH SWITCH - GEWISS GRAY
NOT SHOWN	385880081 VIMAR/GEWISS FLUSH SWITCH WIRE HARNESS
NOT SHOWN	385880082 DOMETIC TOUCHPAD FLUSH SWITCH CABLE

PARTS LIST: 8700 TALL SERIES w/FLUSH HANDLE

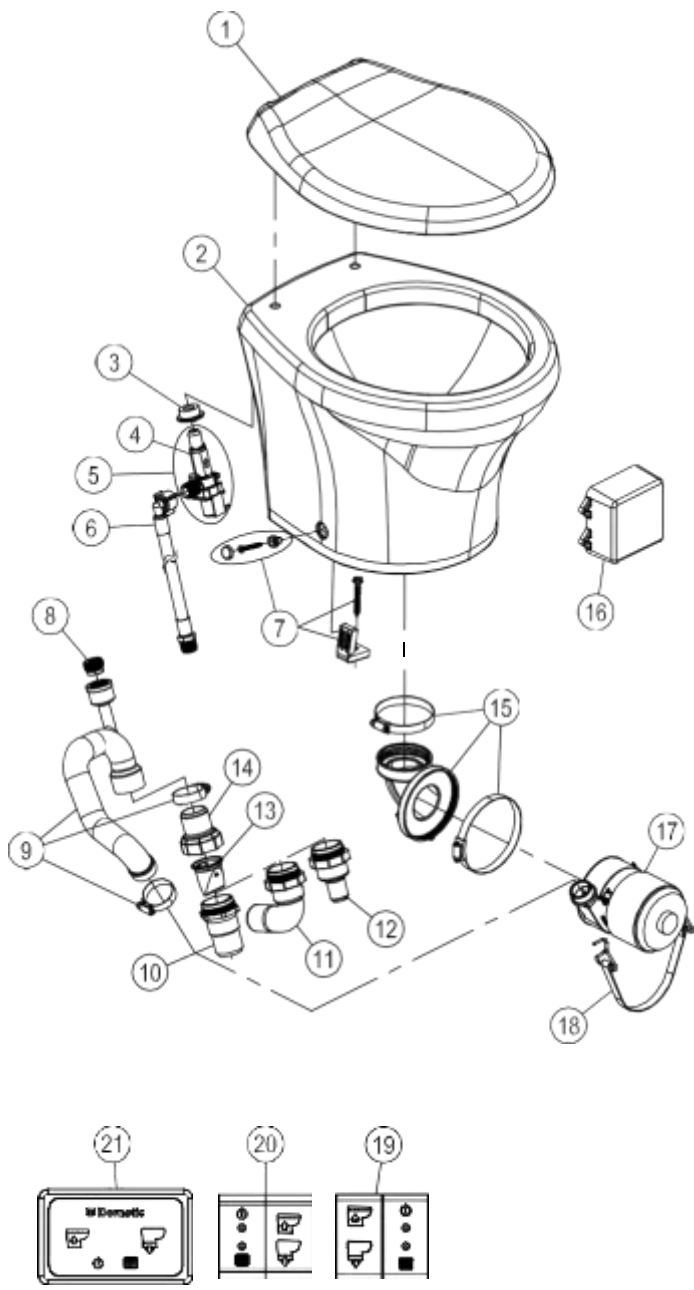
ITEM	PART NUMBER & DESCRIPTION
1	385311005 SEAT/COVER WOOD - WHITE
	385311006 SEAT/COVER WOOD - BONE
	385311597 SEAT/COVER WOOD - EBONY
2	385311934 8700 SERIES BOWL KIT - WHITE
	385311935 8700 SERIES BOWL KIT - BONE
	385311936 8700 SERIES BOWL KIT - EBONY
3	FLUSH HANDLE SWITCH W/IRING HARNESS
4	FLUSH HANDLE ASSEMBLY **INCLUDES ITEM 3.
5	385310962 FLUSH HANDLE KIT - CHROME
	385310963 FLUSH HANDLE KIT - GOLD
	385311741 FLUSH HANDLE KIT - NICKLE
6	385311164 1/2" SEALING GROMMET
7	VACUUM BREAKER KIT **INCLUDES ITEM 6.
8	385345377 BOWL WATER SUPPLY HOSE
9	385311547 WATER SUPPLY HOSE REPLACEMENT
10	385311545 WATER VALVE KIT - 12VDC
	385311546 WATER VALVE KIT - 24VDC
	385311705 WATER VALVE MOUNTING BRACKET KIT
12	385880060 ANTIPHON VALVE ASSEMBLY
13	385311706 DISCHARGE TUBE - 8700 SERIES **INCLUDES ITEM 12.
14	385880070 DISCHARGE TUBE VALVE ADAPTER
15	385311620 1-1/2" CHIFOK VALVE
16	385311315 1-1/2" VALVE ADAPTER
17	385880071 1-1/2" VALVE ADAPTER ELBOW
18	385880072 1" VALVE ADAPTER
19	385311708 BOWL OUTLET TUBE **INCLUDES ITEM 20.
20	385311707 BOWL OUTLET TUBE FLAPPER VALVE
21	385311022 BOWL MOUNTING HARDWARE
22	385880068 MOTORMACERATOR ASSY - 12VDC
23	385880069 MOTORMACERATOR ASSY - 24VDC
24	385311779 MOTORMAC MOUNTING STRAP
25	385311875 CONTROL MODULE 1224VDC (DBH)
25	313722000 DOMETIC MASTERFLUSH STATUS PANEL-BLACK
	313722001 DOMETIC MASTERFLUSH STATUS PANEL-WHITE
NOT SHOWN	385311781 FLUSH SWITCH WIRE HARNESS - 8700 SERIES



Dometic Corporation - Sanitation Systems
13125 Slatte Bl, 226, P.O. Box 38
Big Prairie, OH 44611-0038 USA
Telephone: 330-486-3211
Fax: 330-486-3087
E-mail: sealand@dometicusa.com

PARTS LIST: 8900 SHORT SERIES

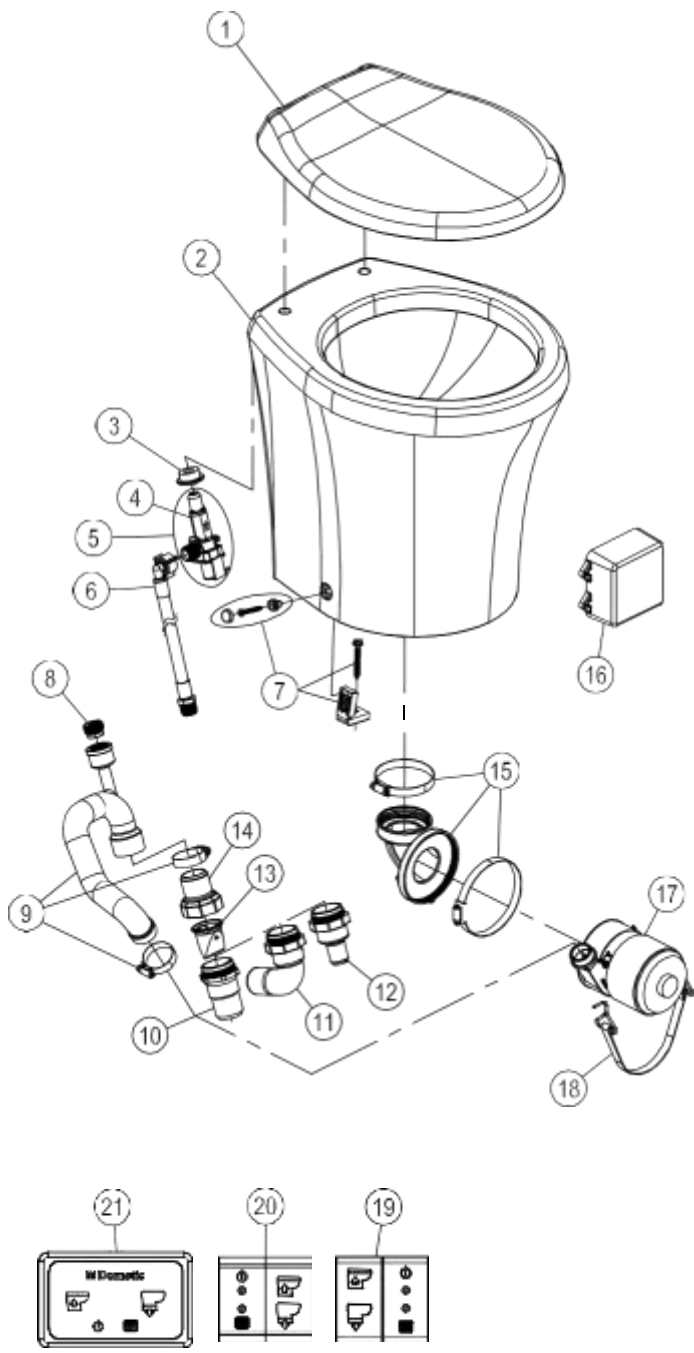
ITEM	PART NUMBER & DESCRIPTION
1	385311618 SEAT/COVER SLOW CLOSE - WHITE
	385311383 SEAT/COVER - BONE
	385311694 SEAT/COVER WOOD - WHITE
	385311696 SEAT/COVER WOOD - BONE
2	385880076 8900 SHORT SERIES BOWL KIT - WHITE
	385880077 8900 SHORT SERIES BOWL KIT - BONE
3	385311164 1/2" SEALING GROMMET
4	385880073 CHECKVALVE REPLACEMENT
5	385880074 WATER VALVE KIT - 12VDC
	385880075 WATER VALVE KIT - 24VDC **INCLUDES ITEM 3 & 4.
6	385311547 WATER SUPPLY HOSE REPLACEMENT
7	385311463 BOWL MOUNTING HARDWARE KIT
8	385880080 ANTISIPHON VALVE ASSEMBLY
9	385880065 DISCHARGE TUBE - SHORT SERIES **INCLUDES ITEM 6.
10	385311315 1-1/2" VALVE ADAPTER
11	385880071 1-1/2" VALVE ADAPTER ELBOW
12	385880072 1" VALVE ADAPTER
13	385311620 1-1/2" CHECK VALVE
14	385880070 DISCHARGE TUBE VALVE ADAPTER
15	385880067 BOWL OUTLET ELBOW
16	385880085 CONTROL MODULE 12/24VDC (DBL)
17	385880068 MOTOR/MACERATOR ASSY - 12VDC
	385880069 MOTOR/MACERATOR ASSY - 24VDC
18	385880083 MOTOR/MAC MOUNTING STRAP
19	313600111 FLUSH SWITCH - GEWISS GRAY
20	313600001 FLUSH SWITCH - VIMAR WHITE
	313600002 FLUSH SWITCH - VIMAR GRAY
21	313600021 DOMETIC TOUCHPAD FLUSH SWITCH - WHITE
	313600022 DOMETIC TOUCHPAD FLUSH SWITCH - BLACK
NOT SHOWN	385880082 DOMETIC TOUCHPAD FLUSH SWITCH CABLE
NOT SHOWN	385880081 VIMAR/GEWISS FLUSH SWITCH WIRE HARNESS



Dometic Corporation - Sanitation Systems
13128 State Rt. 226 P.O. Box 28
Big Prairie, OH 44611-0028 USA
Telephone: 330-496-3211
Fax: 330-496-3097
Email: sealand@dometicus.com

PARTS LIST: 8900 TALL SERIES

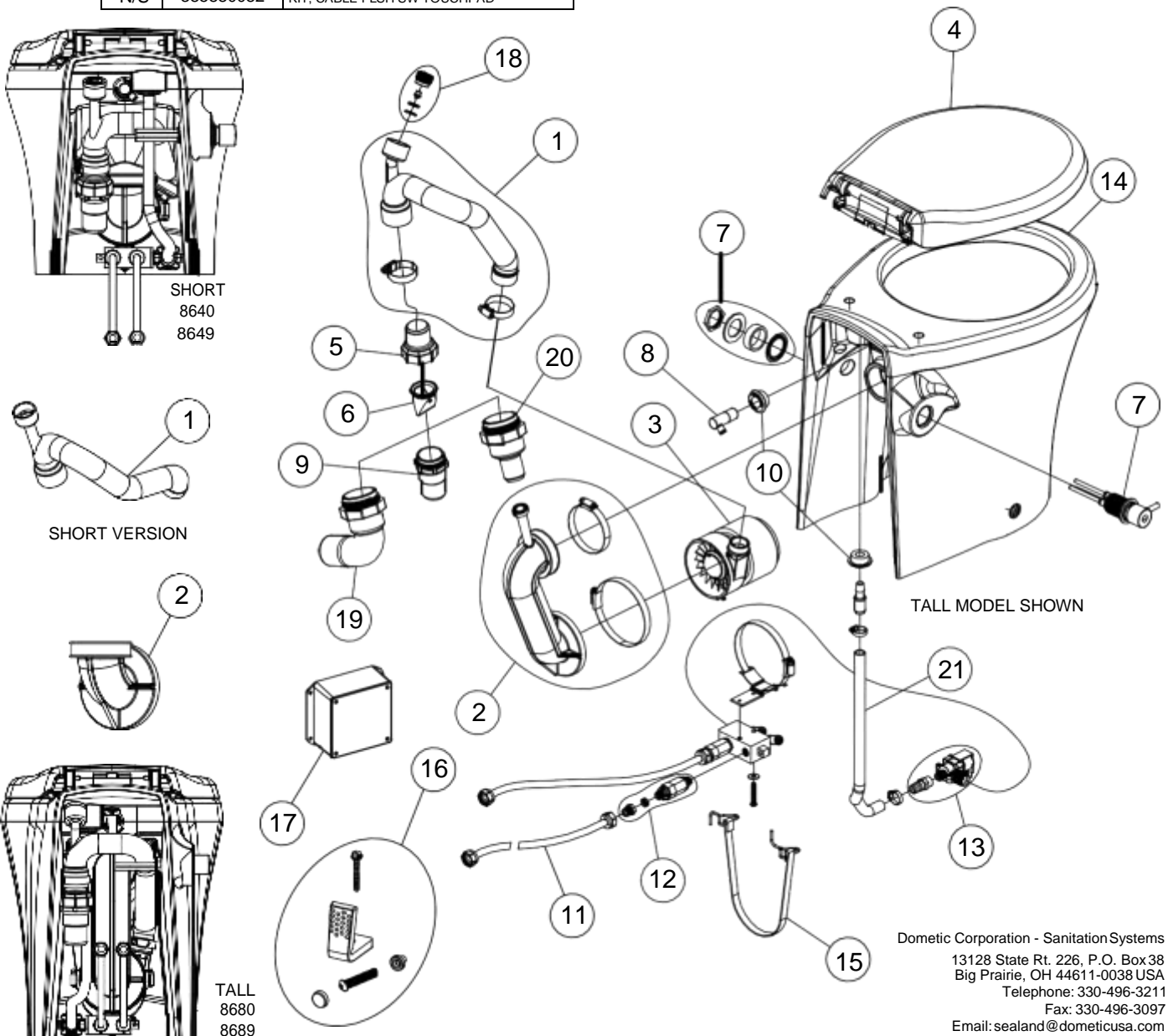
ITEM	PART NUMBER & DESCRIPTION
1	385311618 SEAT/COVER SLOW CLOSE - WHITE
	385311383 SEAT/COVER - BONE
	385311694 SEAT/COVER WOOD - WHITE
	385311696 SEAT/COVER WOOD - BONE
2	385880078 8900 TALL SERIES BOWL KIT - WHITE
	385880079 8900 TALL SERIES BOWL KIT - BONE
3	385311164 1/2" SEALING GROMMET
4	385880073 CHECKVALVE REPLACEMENT
5	385880074 WATER VALVE KIT - 12VDC
	385880075 WATER VALVE KIT - 24VDC **INCLUDES ITEM 3 & 4.
6	385311547 WATER SUPPLY HOSE REPLACEMENT
7	385311463 BOWL MOUNTING HARDWARE KIT
8	385880080 ANTISIPHON VALVE ASSEMBLY
9	385311778 DISCHARGE TUBE - TALL SERIES **INCLUDES ITEM 8.
10	385311316 1-1/2" VALVE ADAPTER
11	385880071 1-1/2" VALVE ADAPTER ELBOW
12	385880072 1" VALVE ADAPTER
13	385311620 1-1/2" CHECK VALVE
14	385880070 DISCHARGE TUBE VALVE ADAPTER
15	385880067 BOWL OUTLET ELBOW
16	385880085 CONTROL MODULE 12/24VDC (DBL)
17	385880068 MOTOR/MACERATOR ASSY - 12VDC
	385880069 MOTOR/MACERATOR ASSY - 24VDC
18	385880083 MOTOR/MAC MOUNTING STRAP
19	313600111 FLUSH SWITCH - GEWISS GRAY
20	313600001 FLUSH SWITCH - VIMAR WHITE
	313600002 FLUSH SWITCH - VIMAR GRAY
21	313600021 DOMETIC TOUCHPAD FLUSH SWITCH - WHITE
	313600022 DOMETIC TOUCHPAD FLUSH SWITCH - BLACK
NOT SHOWN	385880082 DOMETIC TOUCHPAD FLUSH SWITCH CABLE
NOT SHOWN	385880081 VIMAR/GEWISS FLUSH SWITCH WIRE HARNESS



Dometic Corporation - Sanitation Systems
13128 State Rt. 226 P.O. Box 28
Big Prairie, OH 44611-0028 USA
Telephone: 330-498-3211
Fax: 330-496-3097
Email: sealand@dometicus.com

PARTS LIST: 8600 SERIES WITH BIDET

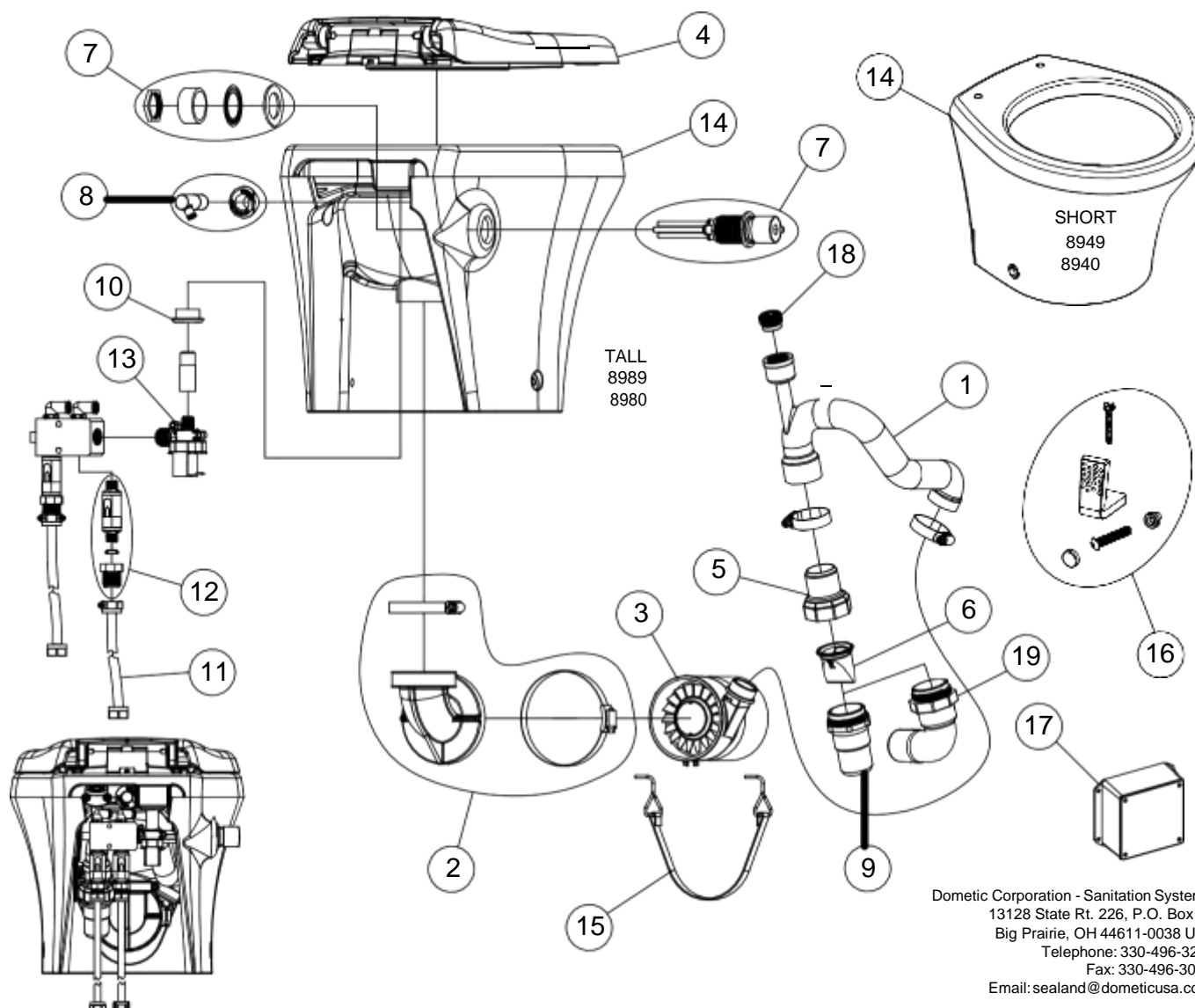
ITEM	PART NO.	DESCRIPTION	ITEM	PART NO.	DESCRIPTION
1	385880065	KIT, TUBE OUTLET SHORT M'FLUSH (INC 18)	12	385311727	KIT, BIDET CHECKVALVE
	385311760	KIT, PUMP OUTLET TUBE-8600 (INC 18)		13	385311851
2	385880067	KIT, BOWL OUTLET M'FLUSH (SHORT MODEL)	14		385311852
	385311761	KIT, BOWL OUTLET TUBE- (TALL MODEL)		385311853	KIT, BOWL SHORT 8640/8649-WHT
3	385880068	KIT, MOTOR ASSEMBLY 12VDC M'FLUSH	15	385311854	KIT, BOWL TALL 8680/8689-WHT
	385880069	KIT, MOTOR ASSEMBLY 24VDC M'FLUSH		385880083	KIT, STRAP MOTOR M'FLUSH
4	385311618	KIT, SEAT/CVR SLOW-CLOSE/WHT	16	385311762	KIT, MOTOR SUPT STRAP-26"
5	385880070	KIT, ADAPTER M'FLUSH		385311463	KIT, 4800 CHINA MTG
6	385311620	KIT, DB VALVE 1-1/2"-BLACK (1)	17	385880085	KIT, CONTROL MOD-8600
7	385311721	KIT, BIDET FLUSH VALVE	18	385880080	KIT, ANTISIPHON VALVE M'FLUSH
8	385311722	KIT, BIDET NOZEL	19	385880071	KIT, 1-1/2" OUTLET EL-M'FLUSH
9	385311315	KIT, NIPPLE-RH THREADS 1-1/2"	20	385880072	KIT, 1" OUTLET FITTING-M'FLUSH
10	385311164	KIT, SEALING GROMMET 1/2"	21	385345377	KIT, SUPPLY HOSE-WHITE
11	385311018	KIT, PLUG-IN SUPPLY HOSE	N/S	385880081	KIT, HARNESS FLSH SW VIMAR - GEWISS
N/S	385880082	KIT, CABLE FLSH SW TOUCHPAD			



Dometic Corporation - Sanitation Systems
13128 State Rt. 226, P.O. Box 38
Big Prairie, OH 44611-0038 USA
Telephone: 330-496-3211
Fax: 330-496-3097
Email: sealand@dometicusa.com

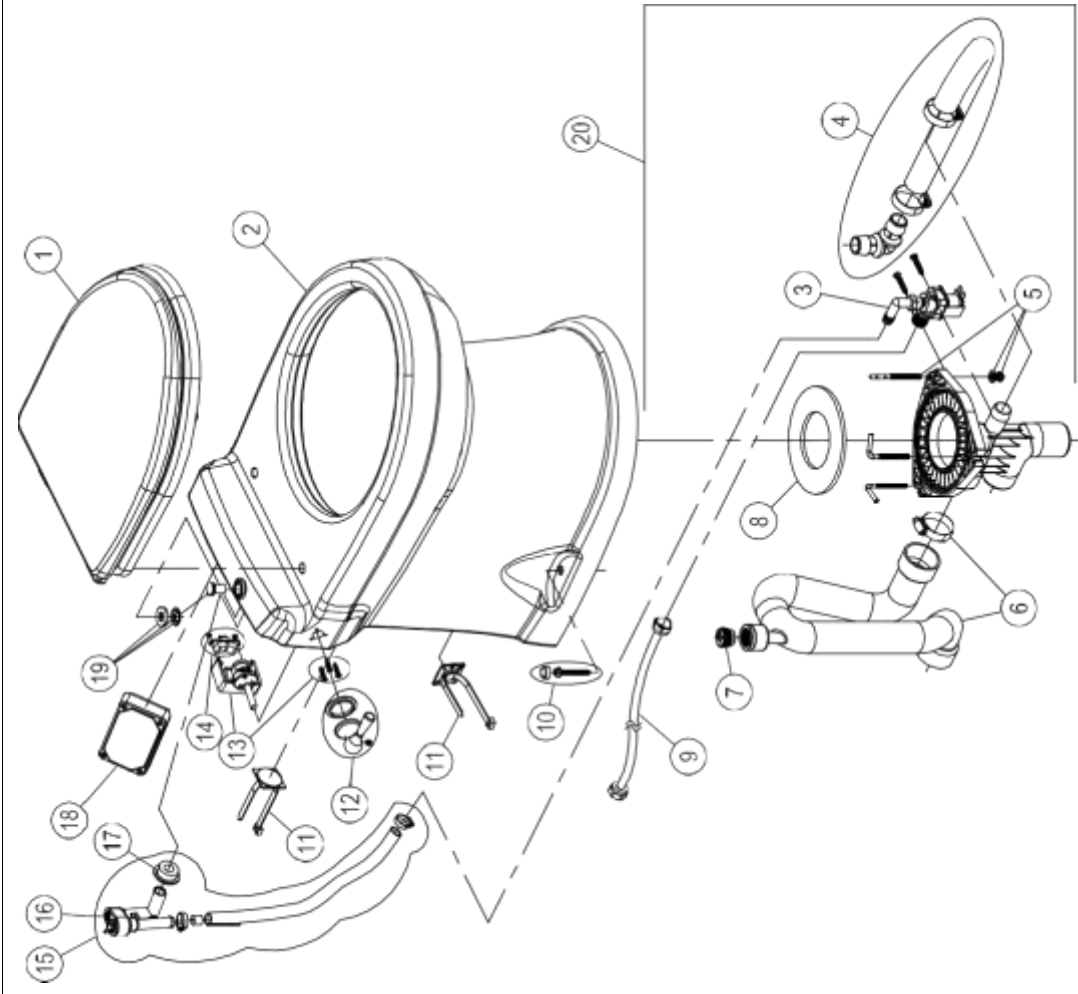
PARTS LIST: 8900 SERIES WITH BIDET

ITEM	PART NO.	DESCRIPTION	ITEM	PART NO.	DESCRIPTION
1	385880065	KIT, TUBE OUTLET SHORT M'FLUSH	13	385880074	KIT, W'VALVE 12VDC M'FLUSH (INC. 10,12)
2	385880067	KIT, BOWL OUTLET M'FLUSH		385880075	KIT, W'VALVE 24VDC M'FLUSH (INC. 10,12)
3	385880068	KIT, MOTOR ASSEMBLY 12VDC M'FLUSH	14	385311723	KIT, BOWL 8900 SHORT COMBO WHITE
	385880069	KIT, MOTOR ASSEMBLY 24VDC M'FLUSH		385311724	KIT, BOWL 8900 SHORT COMBO BONE
4	385311618	KIT, SEAT/CVR SLOW-CLOSE/WHT		385311725	KIT, BOWL 8900 TALL COMBO WHITE
	385311694	KIT, SEAT-CV'R 4800 WOOD-WHITE		385311726	KIT, BOWL 8900 TALL COMBO BONE
5	385880070	KIT, ADAPTER M'FLUSH	15	385880083	KIT, STRAP MOTOR M'FLUSH
6	385311620	KIT, DB VALVE 1-1/2"-BLACK (1)	16	385311463	KIT, 4800 CHINA MTG
7	385311721	KIT, BIDET FLUSH VALVE	17	385880085	KIT, CONTROLE MODULE 8900 12/24VDC
8	385311722	KIT, BIDET NOZEL	18	385880080	KIT, ANTISIPHON VALVE M'FLUSH
9	385311315	KIT, NIPPLE-RH THREADS	19	385880071	KIT, 1-1/2" OUTLET EL-M'FLUSH
10	385311164	KIT, SEALING GROMMET 1/2"	N/S	385880081	KIT, HARNESS FLSH SW VIMAR - GEWISS
11	385311018	KIT, PLUG-IN SUPPLY HOSE	N/S	385880082	KIT, CABLE FLSH SW TOUCHPAD
12	385311727	KIT, BIDET CHECKVALVE			



Dometic Corporation - Sanitation Systems
13128 State Rt. 226, P.O. Box 38
Big Prairie, OH 44611-0038 USA
Telephone: 330-496-3211
Fax: 330-496-3097
Email: sealand@dometicusa.com

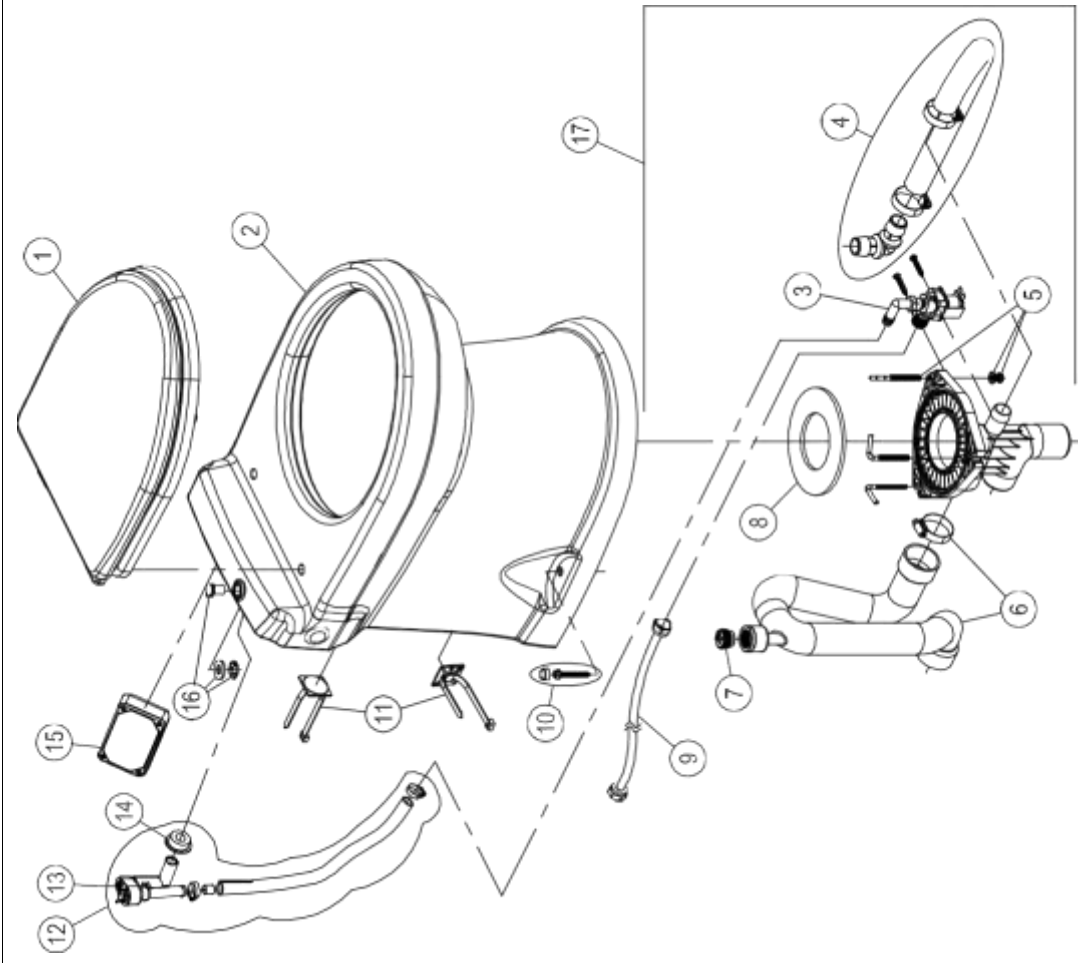
PARTS LIST: 9300 MODEL SERIES (ABOVE-FLOOR DISCHARGE OPTION)



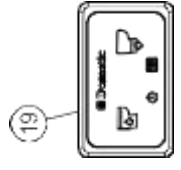
ITEM	PART NUMBER & DESCRIPTION
1	38531005 SEAT/COVER - WHITE 38531006 SEAT/COVER - BONE
2	385311730 9300 BOWL KIT - WHITE 385311731 9300 BOWL KIT - BONE **INCLUDES ITEM 5.
3	385311904 WATER VALVE KIT - 12VDC 385311905 WATER VALVE KIT - 24VDC
4	385311910 WATER .JFT IN. FT TUB KIT
5	385311011 BASE TO BOWL MOUNTING HARDWARE
6	385311913 DISCHARGE TUBE-ABOVE FLOOR **INCLUDES ITEM 7.
7	385688080 ANTISIPHON VALVE REPLACEMENT
8	385311914 BASE SEAL REPLACEMENT
9	385311016 WATER SUPPLY HOSE
10	385311022 BOWL MOUNTING HARDWARE
11	385311915 COMPONENT MOUNTING STRAP KIT **KIT QUANTITY IS ONE SET.
12	385310962 FLUSH HANDLE KIT - CHROME 385310963 FLUSH HANDLE KIT - GOLD 385311741 FLUSH HANDLE KIT - NICKLE
13	385311916 FLUSH HANDLE MECHANISM KIT **INCLUDES ITEM 14.
14	385311917 FLUSH HANDLE SWITCH W/ WIRING
15	385311918 VACUUM BREAKER KIT (COMPLETE)
16	385316906 VACUUM BREAKER KIT **INCLUDES ITEM 17.
17	385311164 1/2" SEALING GROMMET
18	385311919 CONTROL MODULE 12/24VDC
19	385311750 HOLE PLUG - WHITE 385311751 HOLE PLUG - BONE
20	385311922 9300/400 ABOVE FLOOR BASE KIT - 12VDC 385311923 9300/400 ABOVE FLOOR BASE KIT - 24VDC **INCLUDES ITEM 3-4.
21	385311924 JET VALVE ASSEMBLY - 12VDC 385311925 JET VALVE ASSEMBLY - 24VDC 385311926 1-1/2" SWING CHECK VALVE

Domestic Corporation - Sanitation Systems
13126 State Rt. 226, P.O. Box 38
Big Prairie, OH 44611-0038 USA
Telephone: 330-486-3211
Fax: 330-486-3087
E-mail: sealand@domesticusa.com

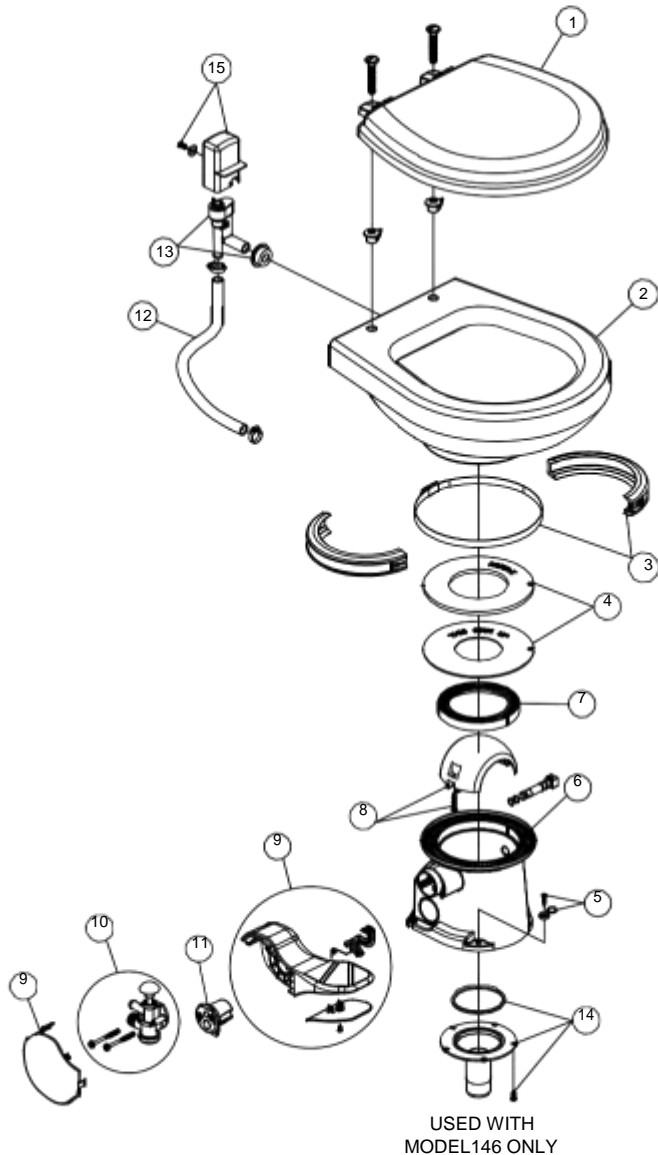
PARTS LIST: 9400 MODEL SERIES (ABOVE-FLOOR DISCHARGE OPTION)



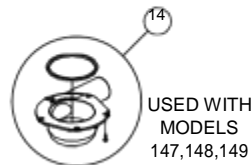
ITEM	PART NUMBER & DESCRIPTION
1	385311005 SEAT/COVER - WHITE 385311006 SEAT/COVER - BONE
2	385311730 9400 BOWL KIT - WHITE 385311731 9400 BOWL KIT - BONE **INCLUDES ITEM 5.
3	385311904 WATER VALVE KIT - 12VDC 385311905 WATER VALVE KIT - 24VDC
4	385311910 WATER LIFT IN. FT TURF KIT
5	385311011 BASE TO BOWL MOUNTING HARDWARE
6	385311913 DISCHARGE TUBE-ABOVE FLOOR **INCLUDES ITEM 7.
7	385880080 ANTIPHON VALVE REPLACEMENT
8	385311914 BASE SEAL REPLACEMENT
9	385311016 WATER SUPPLY HOSE
10	385311022 BOWL MOUNTING HARDWARE
11	385311915 COMPONENT MOUNTING STRAP KIT **KIT QUANTITY IS ONE SET.
12	385311916 VACUUM BREAKER KIT (COMPLETE)
13	385316906 VACUUM BREAKER KIT **INCLUDES ITEM 14.
14	385311164 1/2" SEALING GROMMET
15	385311919 CONTROL MODULE 12/24VDC
16	385311750 HOLE PLUG - WHITE 385311751 HOLE PLUG - BONE
17	385311922 939400 ABOVE FLOOR BASE KIT - 12VDC 385311923 939400 ABOVE FLOOR BASE KIT - 24VDC **INCLUDES ITEM 3/9.
18	385311924 JET VALVE ASSEMBLY - 12VDC 385311925 JET VALVE ASSEMBLY - 24VDC
19	313600021 DOMETIC TOUCH-PAD FLUSH SWITCH - WHITE 313600022 DOMETIC TOUCH-PAD FLUSH SWITCH - BLACK
FIG. 1	385311926 1-1/2" SWING CHECK VALVE



PARTS LIST: ECOVAC 146 -147-148 -149



USED WITH
MODEL146 ONLY

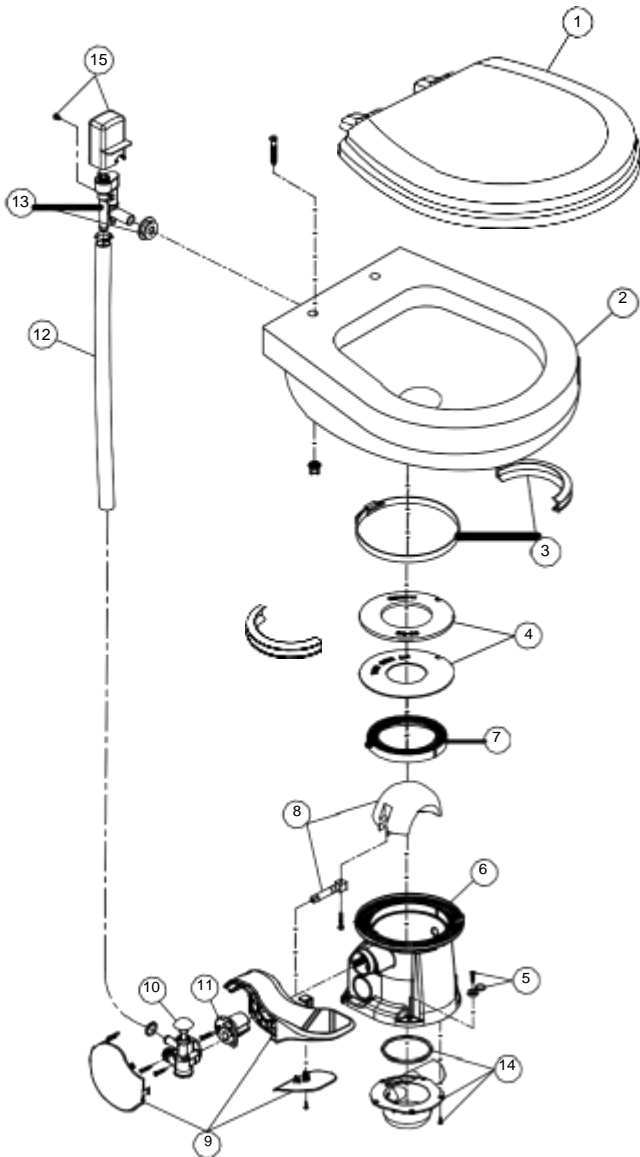


ITEM	PART NUMBER				DESCRIPTION
	146	147	148	149	
1	385344436				SEAT ASSEMBLY, WHITE
	385344437				SEAT ASSEMBLY, BONE
2	385310676				CHINA BOWL KIT, WHITE
	385310781				CHINA BOWL KIT, BONE
3	385310025				BAND AND HALF CLAMP, KIT WHITE
	385310048				BAND AND HALF CLAMP, KIT BONE
4	385311462				KIT, SEAL KIT-VACUFLUSH
	385310679				MOUNTING HARDWARE - WHITE
5	385310785				MOUNTING HARDWARE - BONE
	385311711	385310685	385310686	385310975	BASE KIT , WHITE (INC. 3 -11 & 14)
6	385311712	385310783	385310784	385310976	BASE KIT , BONE (INC 3 -11 & 14)
	385311292				KIT, BASE RING INSERT
8	385310954				KIT, BALL/BRASS SHAFT/P CART (INC. 11)
9	385310682				PEDAL KIT, WHITE (INC. 11)
	385310762				PEDAL KIT, BONE (INC. 11)
10	385314349				WATER VALVE, KIT
11	385310683				SPRING CARTRIDGE, KIT
12	385340177				HOSE, SUPPLY - BONE.
12	385345377				HOSE, SUPPLY - WHITE
13	385310687				VACUUM BREAKER,KIT
14	385311713	385310680	385310680	385310936	DISCHARGE KIT
15	385310696				VACUUM BREAKER COVER WHITE
	385310782				VACUUM BREAKER COVER BONE

TOILET MODEL	DISCHARGE LOCATION
146	THROUGH THE FLOOR
147	OPPOSITE PEDAL
148	REAR OF TOILET
149	UNDER PEDAL

Dometic
Dometic Corporation - Sanitation Systems
13128 State Rt. 226, P.O. Box 38
Big Prairie, OH 44611-0038 USA
Telephone: 330-496-3211
Fax: 330-496-3097
Email: sealand@dometicus.com

PARTS LIST: ECOVAC 157-158-159

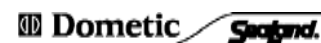
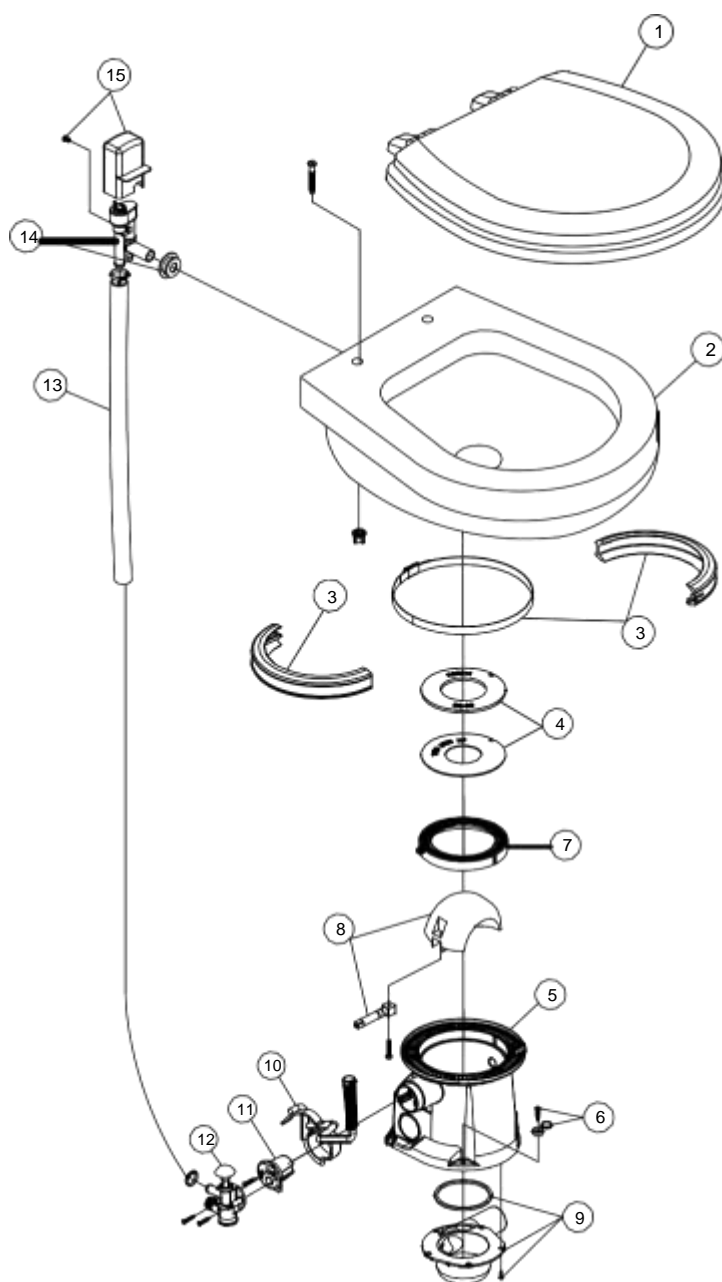


ITEM	PART NUMBER			DESCRIPTION
	157	158	159	
1	385344436			SEAT ASSEMBLY, WHITE
	385344437			SEAT ASSEMBLY, BONE
2	385310676			CHINA BOWL KIT, WHITE
	385310781			CHINA BOWL KIT, BONE
3	385310025			BAND AND HALF CLAMP, KIT WHITE
	385310048			BAND AND HALF CLAMP, KIT BONE
4	385316140			SEAL REPLACEMENT , KIT
5	385310679			MOUNTING HARDWARE - WHITE
	385310785			MOUNTING HARDWARE - BONE
6	385311446	385311451	385311453	BASE KIT , WHITE (INC. 3 -11 & 14)
	385311447	385311452	385311454	BASE KIT , BONE (INC. 3 -11 & 14)
7	385311292			BASE RING
8	385310954			KIT, BALL/BRASS SHAFT/P CART (INC. 11)
9	385311448			PEDAL KIT, WHITE (INC. 11)
	385311449			PEDAL KIT, BONE (INC. 11)
10	385314349			WATER VALVE, KIT
11	385310683			SPRING CARTRIDGE, KIT
12	385340177			HOSE, SUPPLY - BONE.
	385345377			HOSE, SUPPLY - WHITE
13	385310687			VACUUM BREAKER, KIT
14	385310680	385310680	385310936	DISCHARGE KIT
	385310696			VACUUM BREAKER COVER WHITE
15	385310782			VACUUM BREAKER COVER BONE

TOILET MODEL	DISCHARGE LOCATION
157	OPPOSITE PEDAL
158	REAR OF TOILET
159	UNDER PEDAL

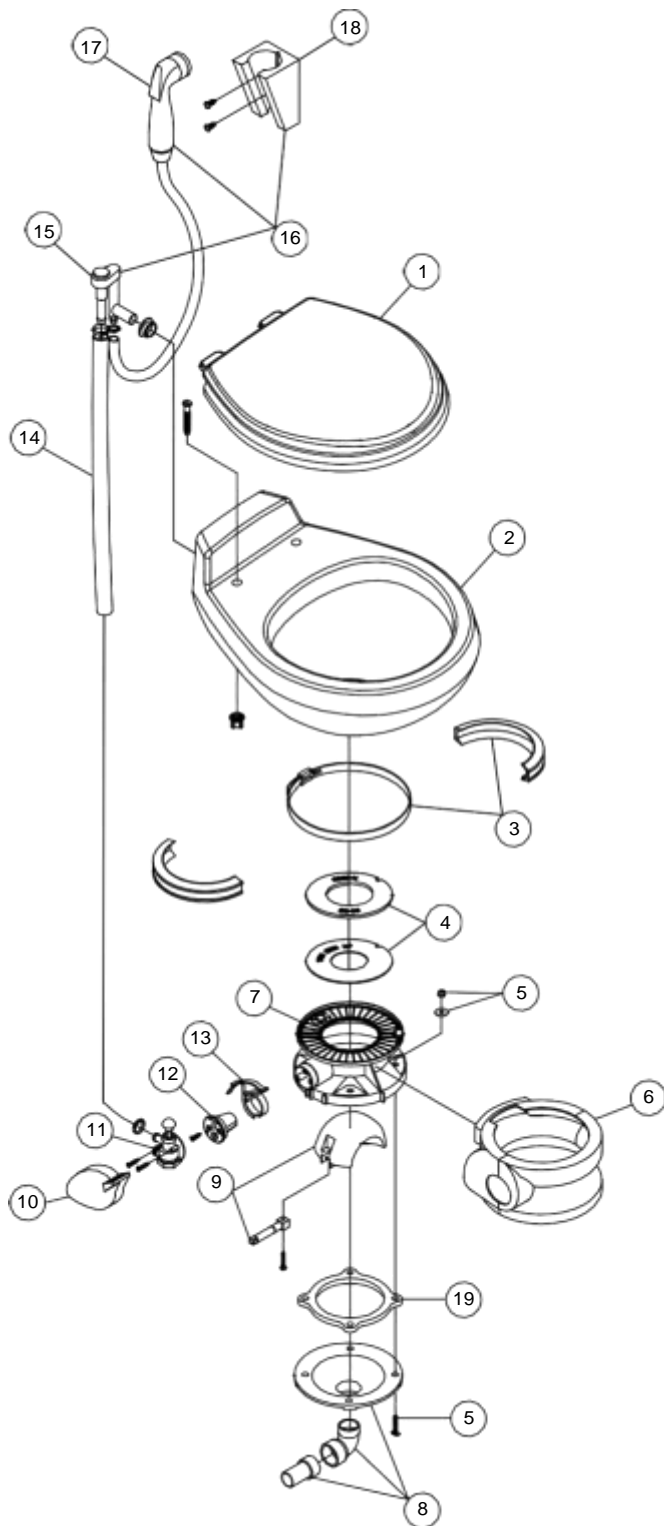
PARTS LIST: VACUFLUSH 168

ITEM	PART NO.	DESCRIPTION	ITEM	PART NO.	DESCRIPTION
1	385344436	SEAT & LID ASSEMBLY, WHITE	9	385310680	KIT, DISCHARGE
2	385310676	CHINA BOWL, WHITE	10	385311204	HAND FLUSH KIT- (inc.item 11)
3	385310025	HALF CLAMP KIT, WHITE	11	385236096	SPRING CARTRIDGE KIT
4	385311462	RUBBER SEAL KIT	12	385314349	WATER VALVE KIT
5	385311158	BASE KIT, WHITE (inc. items 3 -12)	13	385345377	SUPPLY HOSE, WHITE
6	385310679	MOUNTING KIT	14	385310687	VACUUM BREAKER KIT
7	385311292	RING, BASE INSERT	15	385310696	VACUUM BREAKER COVER
8	385318162	BALL/SHAFT/CARTRIDGE KIT (inc. item 11)			



Dometic Corporation - Sanitation Systems
13128 State Rt. 226, P.O. Box 38
Big Prairie, OH 44611-0038 USA
Telephone: 330-496-3211
Fax: 330-496-3097
Email: sealand@dometicusa.com

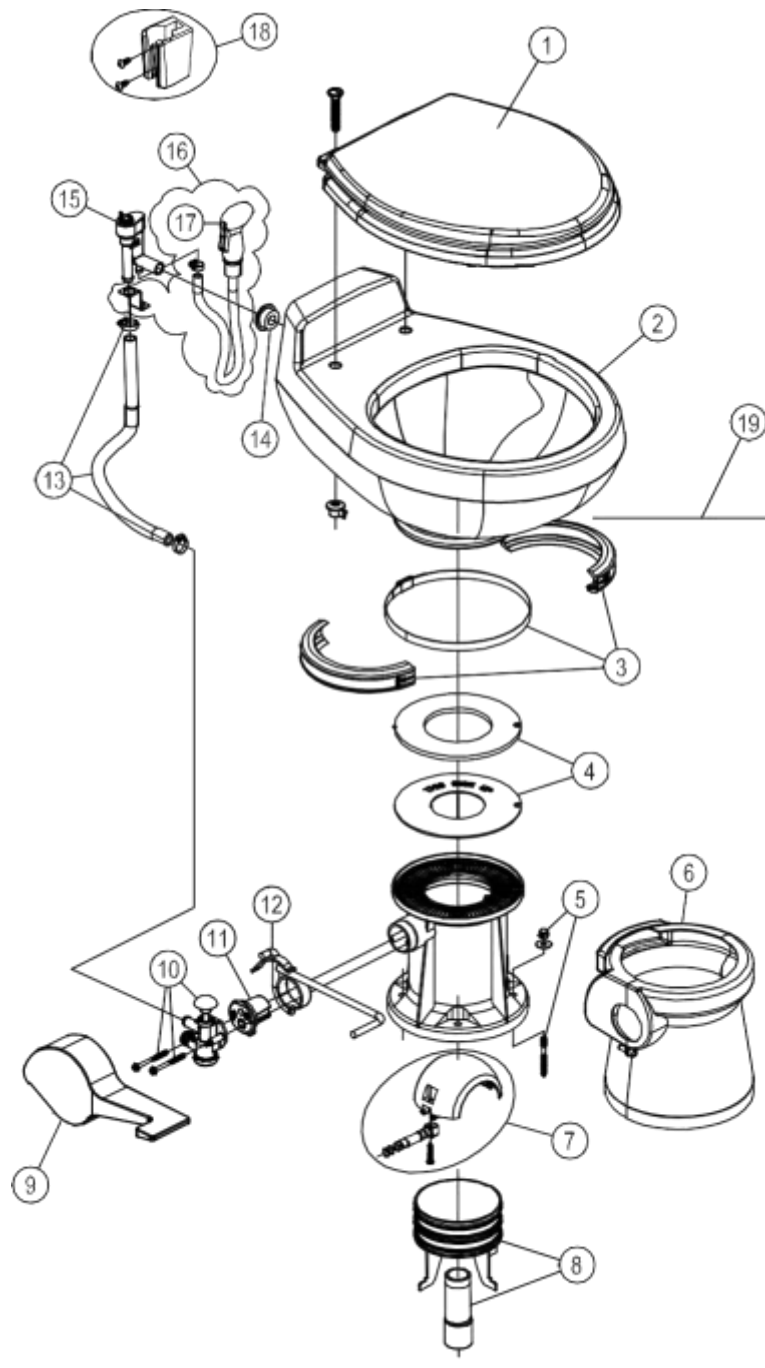
PARTS LIST: 506+



ITEM	PART NO.	DESCRIPTION
1	385343829	KIT, SEAT-CV'R 500+ - WHITE
	385343831	KIT, SEAT-CV'R 500+ - BONE
	385343897	KIT, SEAT-CV'R 500+ - PLAT
	385343901	KIT, SEAT-CV'R 500+ - EBONY
2	385310739	CHINA BOWL KIT, WHITE
	385310740	CHINA BOWL KIT, BONE
	385310741	CHINA BOWL KIT, PLATINUM
	385310742	CHINA BOWL KIT, EBONY
3	385310048	BAND AND HALF CLAMP, KIT
4	385311462	SEAL REPLACEMENT , KIT
5	385310064	MOUNTING HARDWARE
6	385310108	PEDESTAL COVER KIT , WHITE
	385310109	PEDESTAL COVER KIT , BONE
	385310110	PEDESTAL COVER KIT , PLATINUM
	385310600	PEDESTAL COVER KIT , EBONY
7	385310132	BASE KIT, WHITE (inc items 3-13 & 19)
	385310133	BASE KIT, BONE (inc items 3-13 & 19)
	385310134	BASE KIT, PLATINUM (inc items 3-13 & 19)
	385310607	BASE KIT, EBONY (inc items 3-13 & 19)
8	385318864	FUNNEL, KIT (inc. item 5 & 19)
9	385318162	KIT,BALL,SHAFT & CART, WHITE(inc. item 12)
	385310177	KIT,BALL,SHAFT & CART, EBONY(inc. item 12)
10	385310117	PEDAL COVER, WHITE
	385310118	PEDAL COVER, BONE
	385310119	PEDAL COVER, PLATINUM
	385310593	PEDAL COVER, EBONY
11	385314349	WATER VALVE, KIT
12	385236096	SPRING CARTRIDGE, KIT
13	385310579	PEDAL, CARTRIDGE, KIT (inc. item 12)
14	385340177	HOSE, SUPPLY - BONE, EBONY, PLAT
	385345377	HOSE, SUPPLY - WHITE
15	385316906	VACUUM BREAKER, KIT - WITHOUT SPRAY
	385230335	VACUUM BREAKER, KIT - WITH SPRAY
16	385319056	VACUUM BREAKER,SPR & BRK,KIT CHROME
	385319057	VACUUM BREAKER,SPR & BRK,KIT EBONY
17	385310873	HAND SPRAY, EBONY
	385310809	HAND SPRAY, CHROME
18	385311125	BRACKET, HAND SPRAY EBONY
	385311131	BRACKET, HAND SPRAY CHROME
19	385310063	FLOOR FLANGE, KIT (inc. item 5)

Dometic Corporation - Sanitation Systems
13128 State Rt. 226, P.O. Box 38
Big Prairie, OH 44611-0038 USA
Telephone: 330-496-3211
Fax: 330-496-3097
Email: sealand@dometicus.com

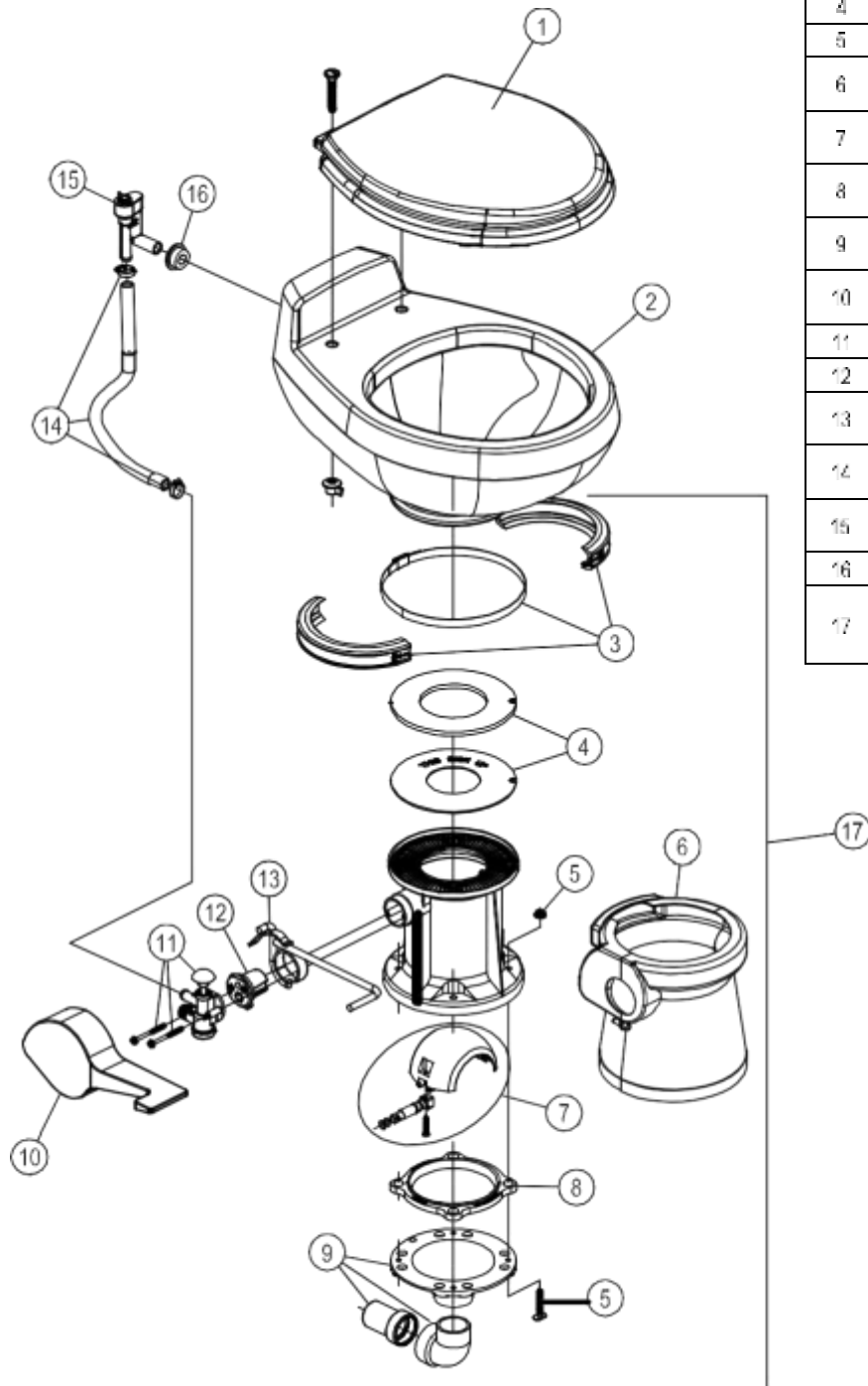
PARTS LIST: VACUFLUSH 508+ SERIES



ITEM	PART NUMBER & DESCRIPTION
1	385343829 SEAT/COVER - WHITE
	385343831 SEAT/COVER - BONE
	385343897 SEAT/COVER - PLATINUM
	385343901 SEAT/COVER - EBONY
2	385310739 CHINA BOWL KIT - WHITE
	385310740 CHINA BOWL KIT - BONE
	385310741 CHINA BOWL KIT - PLATINUM
	385310742 CHINA BOWL KIT - EBONY
3	385310048 BOWL/BASE CLAMP KIT
4	385311462 FLUSH BALL SEAL REPL KIT
5	385316323 MOUNTING HARDWARE
6	385310111 PEDESTAL COVER - WHITE
	385310112 PEDESTAL COVER - BONE
	385310113 PEDESTAL COVER - PLATINUM
	385310173 PEDESTAL COVER - EBONY
7	385318162 FLUSH BALL, SHAFT, CARTRIDGE KIT-WHITE
	385310177 FLUSH BALL, SHAFT, CARTRIDGE KIT-EBONY **INCLUDES ITEM 11.
8	385318741 '08 DISCHARGE FUNNEL KIT
9	385310114 PEDAL COVER - WHITE
	385310115 PEDAL COVER - BONE
	385310116 PEDAL COVER - PLATINUM
	385310175 PEDAL COVER - EBONY
10	385314349 WATER VALVE KIT
11	385236096 SPRING CARTRIDGE KIT
12	385310578 PEDAL LEVER & CARTRIDGE KIT **INCLUDES ITEM 11.
13	385345377 BOWL WATER SUPPLY HOSE - WHITE
	385340177 BOWL WATER SUPPLY HOSE - BONE
14	385311164 1/2" SEALING GROMMET
15	385316906 VACUUM BREAKER KIT
	385230335 VACUUM BREAKER KIT w/HAND SPRAY **INCLUDES ITEM 14.
16*	385319056 HAND SPRAY KIT w/VAC BREAKER-WHT
	385319057 HAND SPRAY KIT w/VAC BREAKER-EBY **INCLUDES ITEM 14, 15, 17
17*	385310809 HAND SPRAYER - CHROME
	385310873 HAND SPRAYER - EBONY **INCLUDES ITEM 18.
18*	385311131 HAND SPRAY BRACKET w/SCREWS - CHROME
	385311125 HAND SPRAY BRACKET w/SCREWS - EBONY
19	385310126 '08 BASE KIT METAL LEVER - WHITE
	385310127 '08 BASE KIT METAL LEVER - BONE
	385310128 '08 BASE KIT METAL LEVER - PLATINUM
	385310171 '08 BASE KIT METAL LEVER - EBONY **INCLUDES ITEMS 9-12

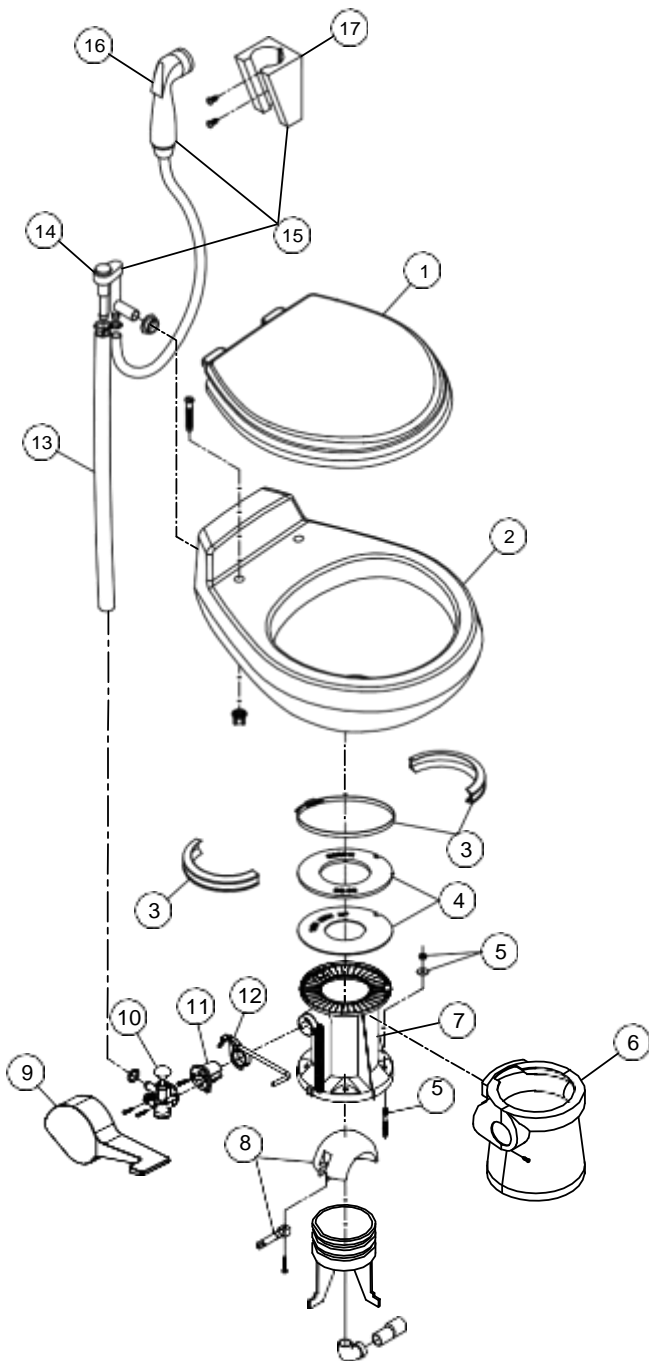
*ITEMS 16, 17, & 18 ARE OPTIONAL ACCESSORIES;
NOT PROVIDED WITH EVERY MODEL.

PARTS LIST: VACUFLUSH 509+ SERIES



ITEM	PART NUMBER & DESCRIPTION
1	385343829 SEAT/COVER - WHITE
	385343831 SEAT/COVER - BONE
2	385310739 CHINA BOWL KIT - WHITE
	385310740 CHINA BOWL KIT - BONE
3	385310048 BOWL/BASE CLAMP KIT
4	385311462 FLUSH BALL SEAL REPL. KIT
5	385310064 MOUNTING HARDWARE
6	385310111 PEDESTAL COVER - WHITE
	385310112 PEDESTAL COVER - BONE
7	385318162 FLUSH BALL, SHAFT, CARTRIDGE KIT **INCLUDES ITEM 12
8	385310063 FLOOR FLANGE SEAL **INCLUDES ITEM 5
9	385318864 FUNNEL KIT ('06/'09 MODELS); **INCLUDES ITEM 5 & 8
10	385310114 PEDAL COVER - WHITE
	385310115 PEDAL COVER - BONE
11	385314349 WATER VALVE KIT
12	385236096 SPRING CARTRIDGE KIT
13	385310578 PEDAL/LEVER & CARTRIDGE KIT **INCLUDES ITEM 12
14	385345377 BOWL WATER SUPPLY HOSE - WHITE
	385340177 BOWL WATER SUPPLY HOSE - BONE
15	385316906 VACUUM BREAKER KIT **INCLUDES ITEM 16
16	385311164 1/2" SEALING GROMMET
17	385311772 '09 BASE KIT METAL LEVER - WHITE
	385311892 '09 BASE KIT METAL LEVER - BONE **INCLUDES ITEMS 3-13

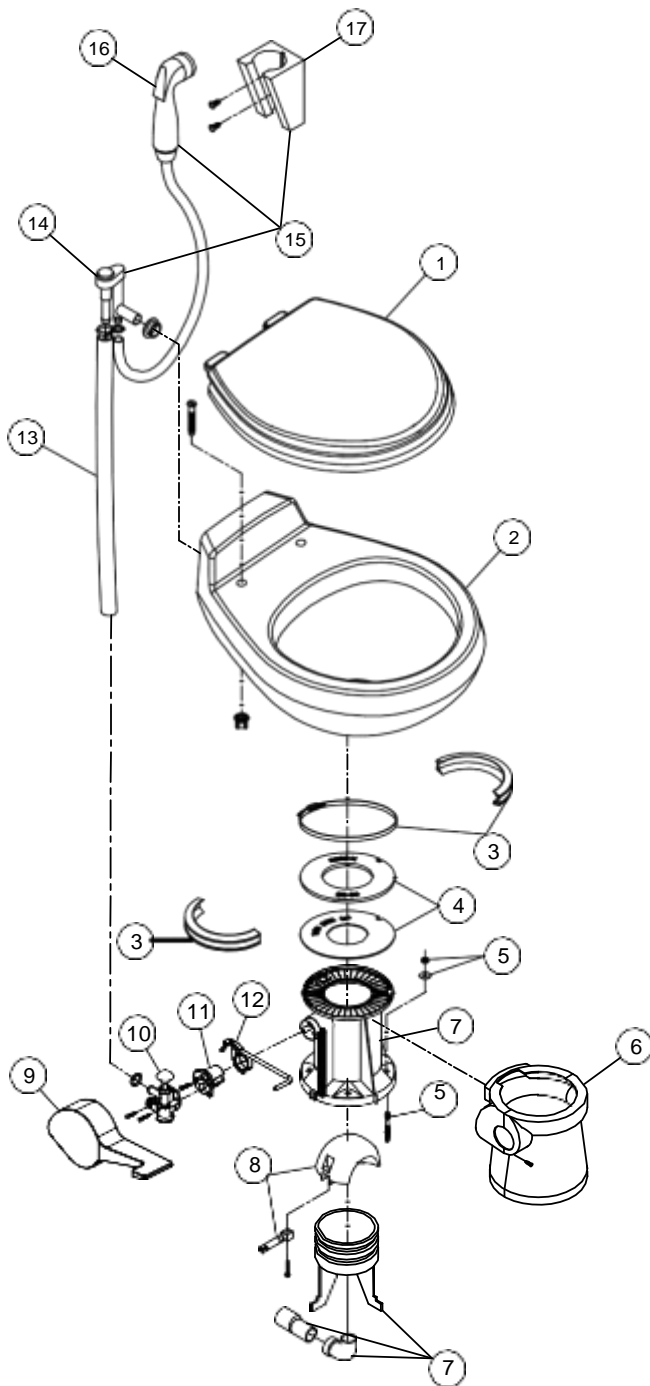
PARTS LIST: 547+



ITEM	PART NO.	DESCRIPTION
1	385343829	KIT, SEAT-CV'R 500+ - WHITE
	385343831	KIT, SEAT-CV'R 500+ - BONE
	385343897	KIT, SEAT-CV'R 500+ - PLAT
	385343901	KIT, SEAT-CV'R 500+ - EBONY
2	385310739	CHINA BOWL KIT, WHITE
	385310740	CHINA BOWL KIT, BONE
	385310741	CHINA BOWL KIT, PLATINUM
	385310742	CHINA BOWL KIT, EBONY
3	385310048	BAND AND HALF CLAMP, KIT
4	385311462	SEAL REPLACEMENT , KIT
5	385316323	MOUNTING HARDWARE
6	385310674	PEDESTAL COVER KIT , WHITE
	385310613	PEDESTAL COVER KIT , BONE
	385310745	PEDESTAL COVER KIT , PLATINUM
	385310746	PEDESTAL COVER KIT , EBONY
7	385310665	BASE KIT, WHITE (inc items 3-12)
	385310614	BASE KIT, BONE (inc items 3-12)
	385310748	BASE KIT, PLATINUM (inc items 3-12)
	385310749	BASE KIT, EBONY (inc items 3-12)
8	385318162	KIT,BALL,SHAFT & CART, WHITE(inc. item 11)
	385310177	KIT,BALL,SHAFT & CART, EBONY(inc. item 11)
9	385310114	PEDAL COVER, WHITE
	385310115	PEDAL COVER, BONE
	385310116	PEDAL COVER, PLATINUM
	385310175	PEDAL COVER, EBONY
10	385314349	WATER VALVE, KIT
11	385236096	SPRING CARTRIDGE, KIT
12	385310578	PEDAL, CARTRIDGE, KIT (inc. item 11)
13	385340177	HOSE, SUPPLY - BONE, EBONY, PLAT
	385345377	HOSE, SUPPLY - WHITE
14	385316906	VACUUM BREAKER, KIT - WITHOUT SPRAY
	385230335	VACUUM BREAKER, KIT - WITH SPRAY
15	385319056	VACUUM BREAKER,SPRAY & BRACKET,CHRM
	385319057	VACUUM BREAKER,SPRAY & BRACKET,EBY
16	600340683	HAND SPRAY, WHITE
	600341770	HAND SPRAY, EBONY
17	385311131	BRACKET, HAND SPRAY-CHROME
	385311125	BRACKET, HAND SPRAY EBONY

Dometic Corporation - Sanitation Systems
13128 State Rt. 226, P.O. Box 38
Big Prairie, OH 44611-0038 USA
Telephone: 330-496-3211
Fax: 330-496-3097
Email: sealand@dometicusa.com

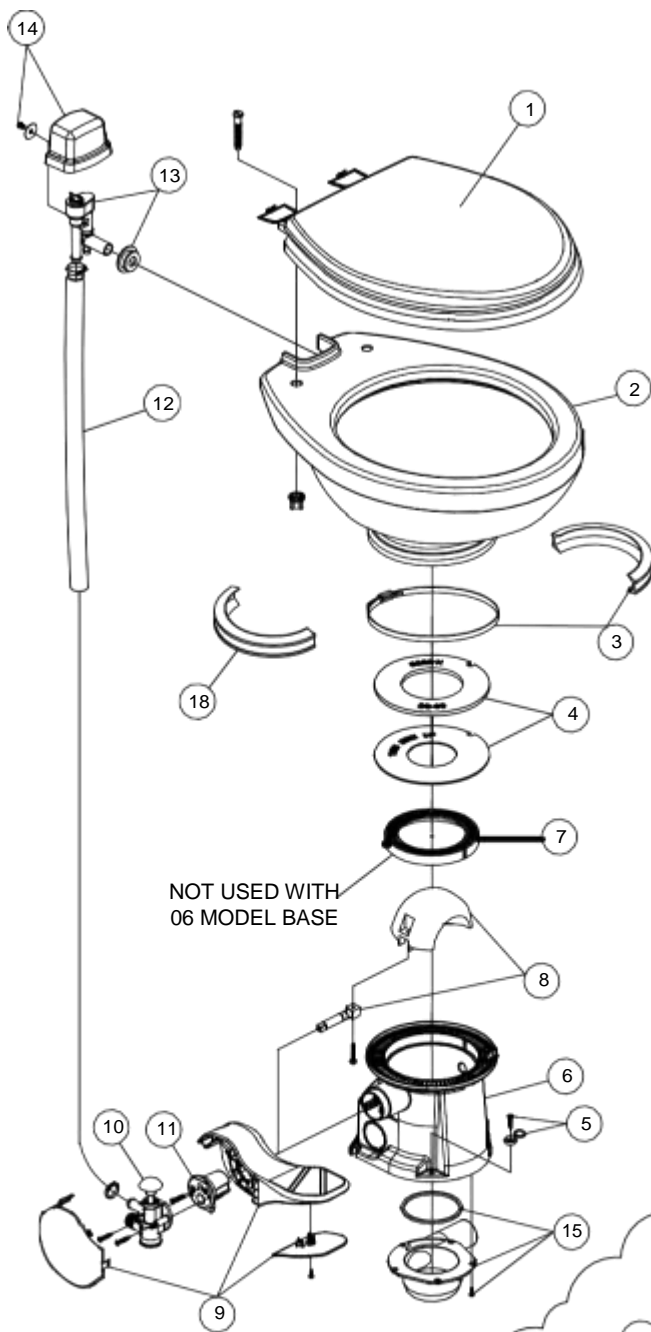
PARTS LIST: 548+



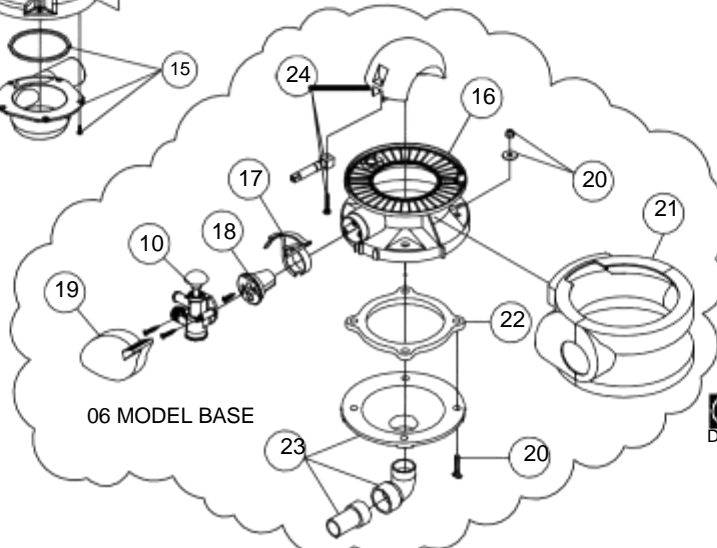
ITEM	PART NO.	DESCRIPTION
1	385343829	KIT, SEAT-CV'R 500+ - WHITE
	385343831	KIT, SEAT-CV'R 500+ - BONE
	385343897	KIT, SEAT-CV'R 500+ - PLAT
	385343901	KIT, SEAT-CV'R 500+ - EBONY
2	385310739	CHINA BOWL KIT, WHITE
	385310740	CHINA BOWL KIT, BONE
	385310741	CHINA BOWL KIT, PLATINUM
	385310742	CHINA BOWL KIT, EBONY
3	385310048	BAND AND HALF CLAMP, KIT
4	385311462	SEAL REPLACEMENT , KIT
5	385316323	MOUNTING HARDWARE
6	385310136	PEDESTAL COVER KIT , WHITE
	385310137	PEDESTAL COVER KIT , BONE
	385310138	PEDESTAL COVER KIT , PLATINUM
	385310174	PEDESTAL COVER KIT , EBONY
7	385310129	BASE KIT, WHITE (inc items 3-12)
	385310130	BASE KIT, BONE (inc items 3-12)
	385310131	BASE KIT, PLATINUM (inc items 3-12)
	385310172	BASE KIT, EBONY (inc items 3-12)
8	385318162	KIT,BALL,SHAFT & CART, WHITE(inc. item 11)
	385310177	KIT,BALL,SHAFT & CART, EBONY(inc. item 11)
9	385310114	PEDAL COVER, WHITE
	385310115	PEDAL COVER, BONE
	385310116	PEDAL COVER, PLATINUM
	385310175	PEDAL COVER, EBONY
10	385314349	WATER VALVE, KIT
11	385236096	SPRING CARTRIDGE, KIT
12	385310578	PEDAL, CARTRIDGE, KIT (inc. item 11)
13	385340177	HOSE, SUPPLY - BONE, EBONY, PLAT
	385345377	HOSE, SUPPLY - WHITE
14	385316906	VACUUM BREAKER, KIT - WITHOUT SPRAY
	385230335	VACUUM BREAKER, KIT - WITH SPRAY
15	385319056	VACUUM BREAKER,SPRAY & BRACKET,CHR
	385319057	VACUUM BREAKER,SPRAY & BRACKET,EBY
16	385310809	HAND SPRAY, CHROME
	385310873	HAND SPRAY, EBONY
17	385311131	BRACKET, HAND SPRAY-CHROME
	385311125	BRACKET, HAND SPRAY EBONY

Dometic Corporation - Sanitation Systems
13128 State Rt. 226, P.O. Box 38
Big Prairie, OH 44611-0038 USA
Telephone: 330-496-3211
Fax: 330-496-3097
Email: sealand@dometicusa.com

PARTS LIST: VACUFLUSH 606 - 647 - 648

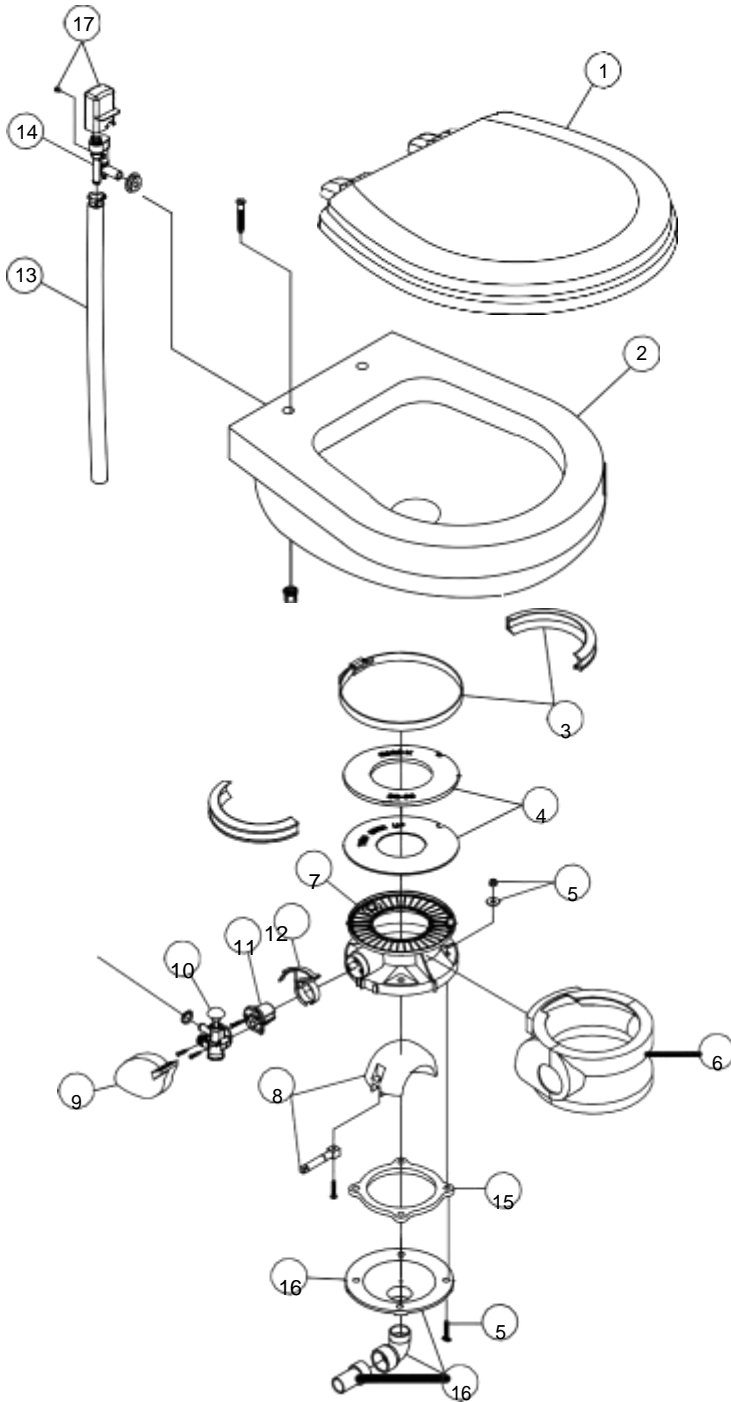


ITEM	PART NUMBER		DESCRIPTION
	647	648	
1	385343829		KIT, SEAT-CV/R 500+ -WHITE
	385343831		KIT, SEAT-CV/R 500+ -BONE
2	385310790		KIT,BOWL TRAVELER LITE/WHITE
	385310791		KIT,BOWL TRAVELER LITE/BONE
3	385310025		KIT, HALF CLAMP-WHITE
	385310048		KIT, HALF CLAMP-BONE
4	385311462		KIT, SEAL KIT-VACUFLUSH
5	385310679		KIT, MOUNTING-ECOVAC - WHITE
	385310785		KIT, MOUNTING-ECOVAC - BONE
6	385310685	385310686	BASE KIT , WHITE (INC. 3 -11&15)
	385310783	385310784	BASE KIT , BONE (INC. 3 -11&15)
7	385311292		KIT, BASE RING INSERT
8	385310954		KIT, BALL/BRASS SHAFT/P CART (INC. 11)
9	385310682		KIT, ECOVAC PEDAL/CART-WHT (INC. 11)
	385310762		KIT, PEDAL ECOVAC/110-BONE (INC. 11)
10	385314349		KIT, WATER VALVE
11	385310683		KIT, SPRING CARTRIDGE-ECOVAC
12	385340177		KIT, SUPPLY HOSE-BONE
	385345377		KIT, SUPPLY HOSE-WHITE
13	385310687		KIT, VAC BRK-ECOVAC
14	385310795		KIT, VAC BREAKER COVER/TL/WHT
	385310796		KIT, VAC BREAKER COVER/TL/BONE
15	385310680		KIT, DISCHARGE 147/148-ECOVAC
	385310936		KIT, DISCHARGE 149-ECOVAC
606 MODEL REPLACEMENT PARTS			
16	385310132		KIT, 506/806/706 BASE-WHT (INC.3 -11&15)
	385310133		KIT, 506/806/706BASE-BONE (INC. 3 -11&15)
17	385310579		KIT, LEVER/CART-SHORT BASE
18	385236096		KIT, SPRING CARTRIDGE
19	385310117		KIT, SHORT PEDAL COVER-WHT
	385310118		KIT, SHORT PEDAL COVER-BONE
20	385310064		KIT, MOUNT-TRAVELER-506/806
21	385310108		KIT, SHORT BASE COVER-WHITE
	385310109		KIT, SHORT BASE COVER-BONE
22	385310063		KIT, FLOOR FLANGE SEAL (INC. 5)
23	385318864		KIT, FUNNEL 506/806/706 (INC. 20 & 23)
24	385310954		KIT, BALL/BRASS SHAFT/P CART (INC. 18)



Dometic
Dometic Corporation - Sanitation Systems
13128 State Rt. 226, P.O. Box 38
Big Prairie, OH 44611-0038 USA
Telephone: 330-496-3211
Fax: 330-496-3097
Email: sealand@dometicusa.com

PARTS LIST: 706

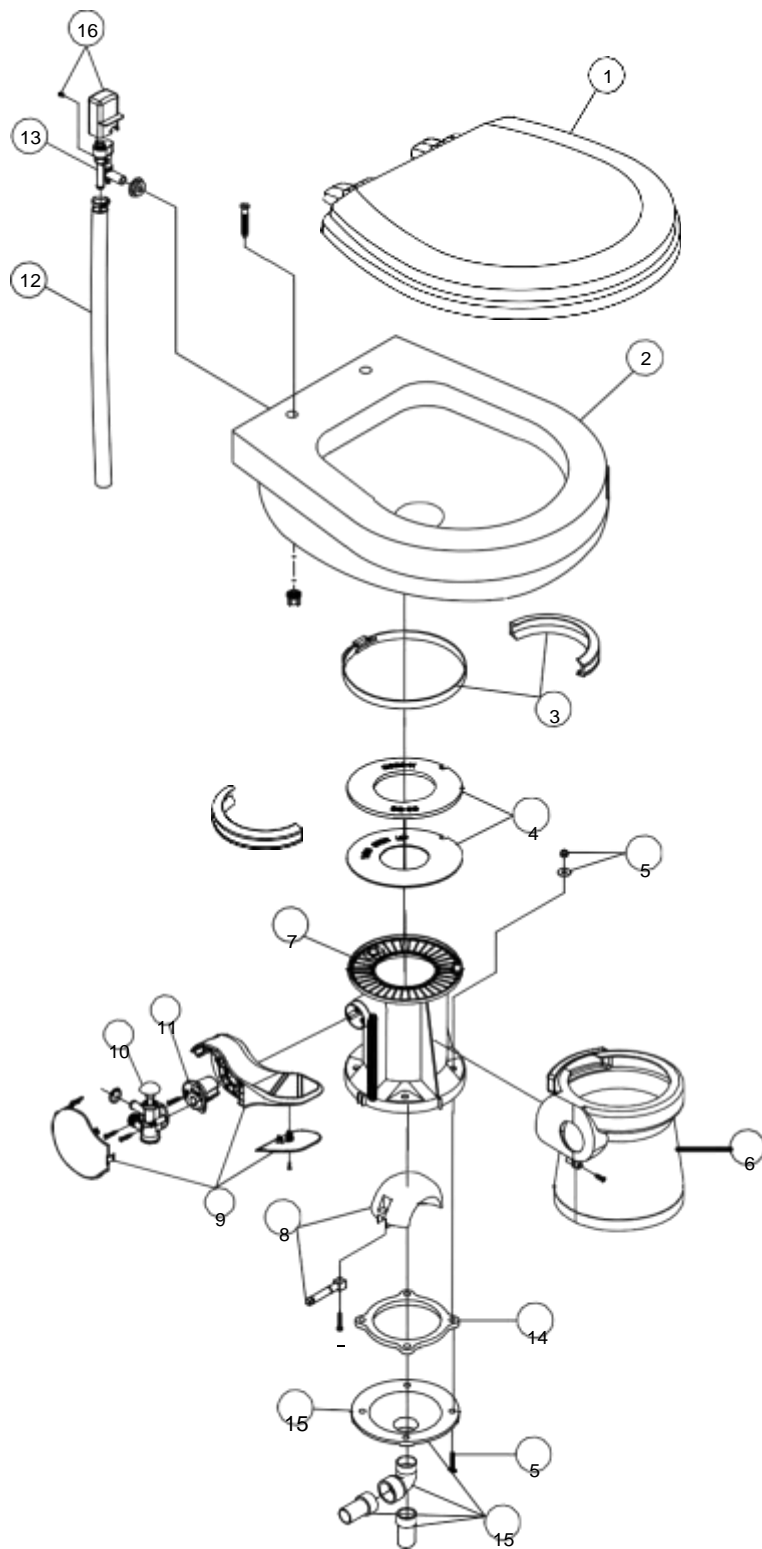


ITEM	PART NO.	DESCRIPTION
1	385344436	SEAT ASSEMBLY, WHITE
	385344437	SEAT ASSEMBLY, BONE
2	385310676	CHINA BOWL KIT, WHITE
	385310781	CHINA BOWL KIT, BONE
3	385310048	BAND AND HALF CLAMP, KIT
4	385311462	SEAL REPLACEMENT , KIT
5	385310064	MOUNTING HARDWARE
6	385310108	PEDESTAL COVER KIT , WHITE
	385310109	PEDESTAL COVER KIT , BONE
7	385310132	BASE KIT, WHITE (inc items 3 -12 & 15,16)
	385310133	BASE KIT, BONE (inc items 3 -12 & 15,16)
8	385318162	KIT,BALL,SHAFT & CART, WHITE(inc. item 11)
9	385310117	PEDAL COVER, WHITE
	385310118	PEDAL COVER, BONE
10	385314349	WATER VALVE, KIT
11	385236096	SPRING CARTRIDGE, KIT
12	385311486	KIT, BENT LEVER/CART-SH'T BASE (inc.11)
13	385340177	HOSE, SUPPLY - BONE
	385345377	HOSE, SUPPLY - WHITE
14	385316906	VACUUM BREAKER, KIT
15	385310063	FLOOR FLANGE SEAL (inc. item 5)
16	385318864	FUNNEL KIT (inc. item 5 & 15)
17	385310696	VACUUM BREAKER COVER - WHITE
	385310782	VACUUM BREAKER COVER - BONE



Dometic Corporation - Sanitation Systems
13128 State Rt. 226, P.O. Box 38
Big Prairie, OH 44611-0038 USA
Telephone: 330-496-3211
Fax: 330-496-3097
Email: sealand@dometicusa.com

PARTS LIST: VACUFLUSH 709

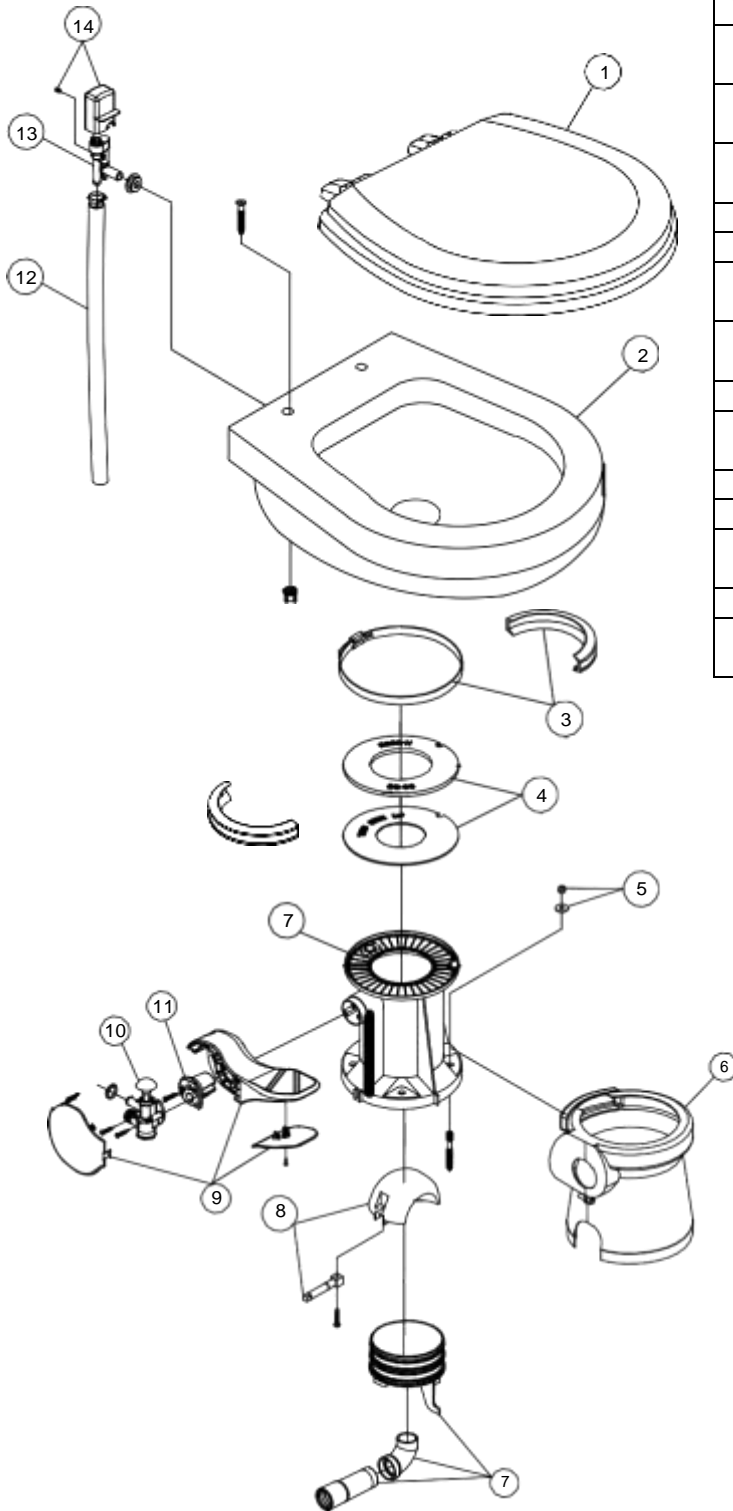


ITEM	PART NO.	DESCRIPTION
1	385344436	SEAT ASSEMBLY, WHITE
	385344437	SEAT ASSEMBLY, BONE
2	385310676	CHINA BOWL KIT, WHITE
	385310781	CHINA BOWL KIT, BONE
3	385310025	BAND AND HALF CLAMP, KIT WHITE
	385310048	BAND AND HALF CLAMP, KIT BONE
4	385311462	SEAL REPLACEMENT , KIT
5	385310064	MOUNTING HARDWARE
6	385310111	PEDESTAL COVER KIT , WHITE
	385310112	PEDESTAL COVER KIT , BONE
7	385311081	BASE KIT, WHITE (INC. 3-11 & 14,15)
	385310978	BASE KIT, BONE (INC. 3-11 & 14,15)
8	385310954	KIT, BALL/BRASS SHAFT/P CART(INC. 11)
9	385310682	PEDAL, CARTRIDGE, KIT WHITE (INC. 11)
	385310762	PEDAL, CARTRIDGE, KIT BONE (INC. 11)
10	385314349	WATER VALVE, KIT
11	385310683	SPRING CARTRIDGE, KIT
12	385345377	HOSE, SUPPLY - WHITE
	385340177	HOSE, SUPPLY - BONE
13	385316906	VACUUM BREAKER, KIT
14	385310063	FLOOR FLANGE SEAL (INC. 5)
15	385318864	FUNNEL KIT (INC. 5, 14 & 15)
16	385310696	VACUUM BREAKER COVER - WHITE
	385310782	VACUUM BREAKER COVER - BONE



Dometic Corporation - Sanitation Systems
13128 State Rt. 226, P.O. Box 38
Big Prairie, OH 44611-0038 USA
Telephone: 330-496-3211
Fax: 330-496-3097
Email: sealand@dometicusa.com

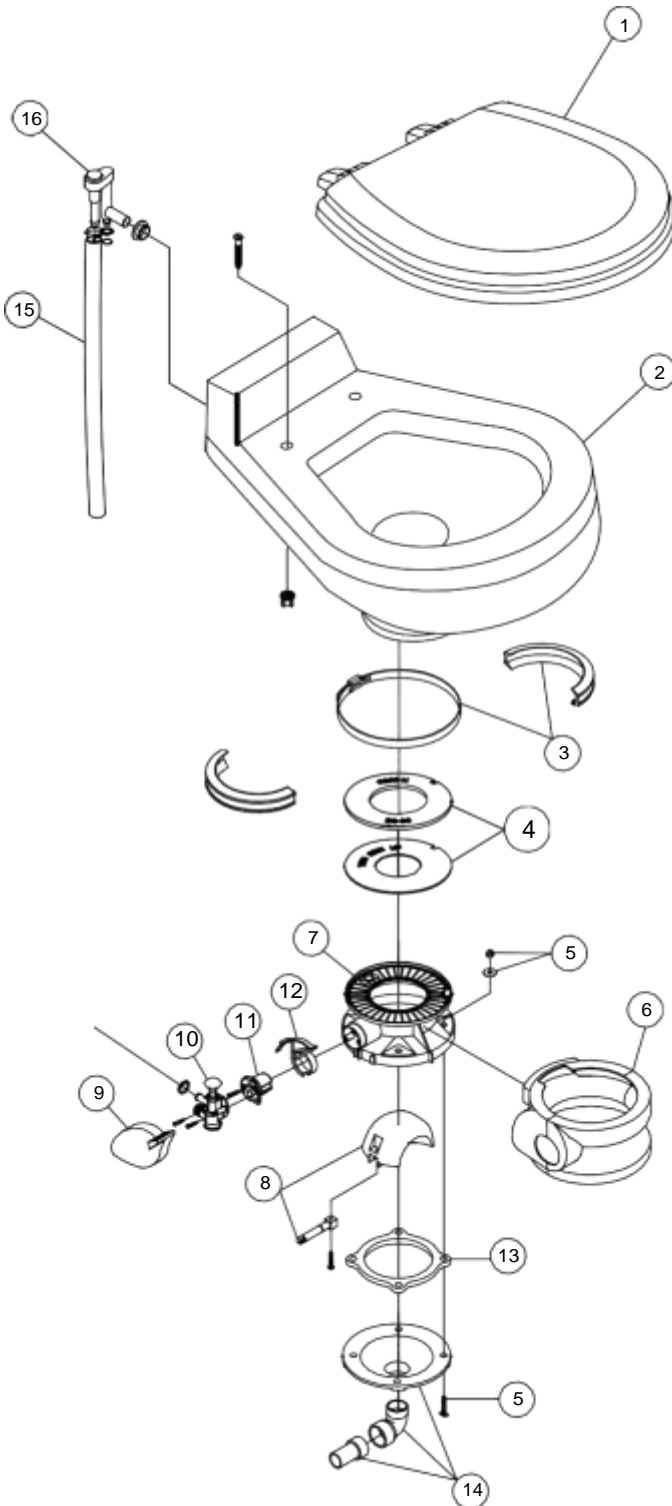
PARTS LIST: VACUFLUSH 748 - 749



ITEM	PART NO.		DESCRIPTION
	748	749	
1	385344436		SEAT ASSEMBLY, WHITE
	385344437		SEAT ASSEMBLY, BONE
2	385310676		CHINA BOWL KIT, WHITE
	385310781		CHINA BOWL KIT, BONE
3	385310025		BAND AND HALF CLAMP, KIT WHITE
	385310048		BAND AND HALF CLAMP, KIT BONE
4	385311462		SEAL REPLACEMENT , KIT
5	385316323		MOUNTING HARDWARE
6	385310136	385310904	PEDESTAL COVER KIT , WHITE
	385310137	N/A	PEDESTAL COVER KIT , BONE
7	385310910	385310903	BASE KIT, WHITE (inc items 3-11 & 14,15)
	385311086	N/A	BASE KIT, BONE (inc items 3-11 & 14,15)
8	385310954		KIT, BALL/BRASS SHAFT/P CART (inc. item 11)
9	385310682		PEDAL, CARTRIDGE, KIT WHITE (inc. item 11)
	385310762		PEDAL, CARTRIDGE, KIT BONE (inc. item 11)
10	385314349		WATER VALVE, KIT
11	385310683		SPRING CARTRIDGE, KIT
12	385345377		HOSE, SUPPLY - WHITE
	385340177		HOSE, SUPPLY - BONE
13	385316906		VACUUM BREAKER, KIT
14	385310696		VACUUM BREAKER COVER - WHITE
	385310782		VACUUM BREAKER COVER - BONE

Dometic *Sealand*
Dometic Corporation - Sanitation Systems
13128 State Rt. 226, P.O. Box 38
Big Prairie, OH 44611-0038 USA
Telephone: 330-496-3211
Fax: 330-496-3097
Email: sealand@dometicusa.com

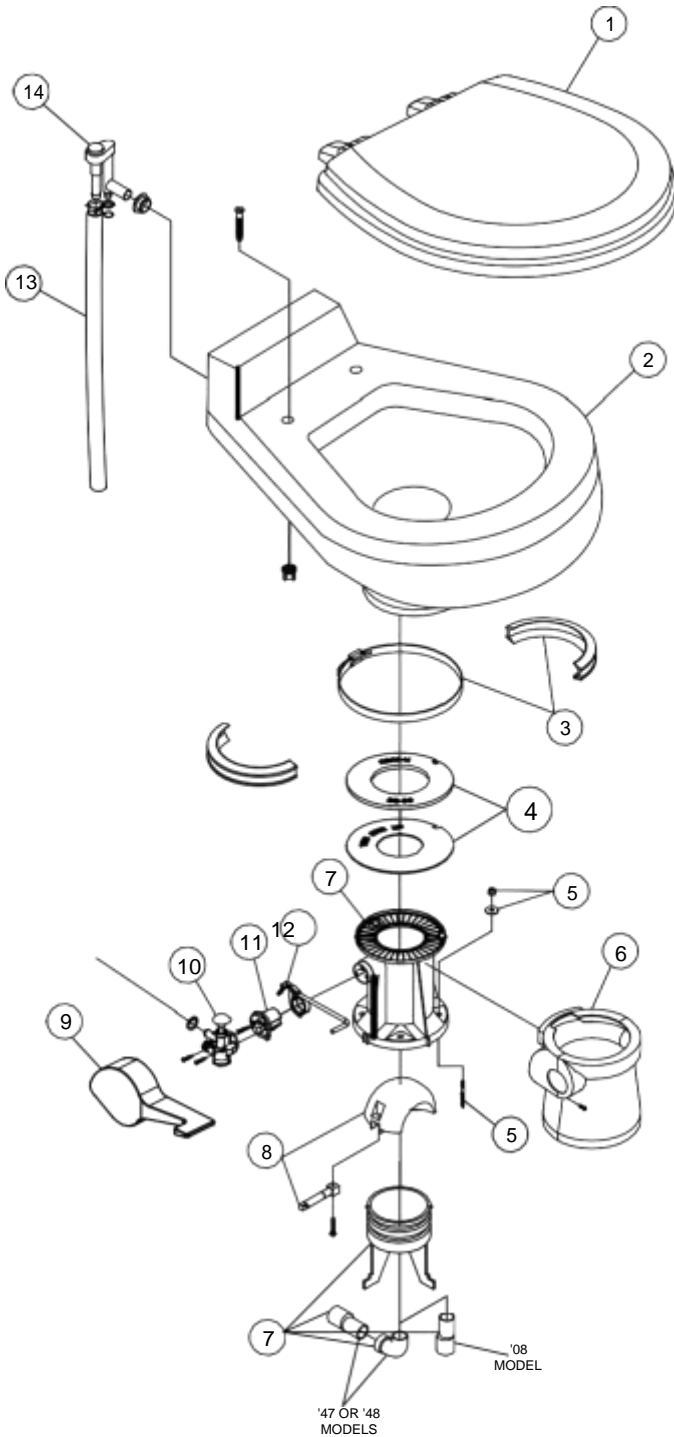
PARTS LIST: 806



ITEM	PART NO.	DESCRIPTION
1	385344436	SEAT ASSEMBLY, WHITE
	385344437	SEAT ASSEMBLY, BONE
2	385310032	CHINA BOWL KIT, WHITE
	385310033	CHINA BOWL KIT, BONE
3	385310048	BAND & HALF CLAMP KIT - BONE
	385310025	BAND & HALF CLAMP KIT - WHITE
4	385311462	KIT, BASE SEAL/2 SEALS
5	385310064	MOUNTING HARDWARE
6	385310108	PEDESTAL COVER KIT - WHITE
	385310109	PEDESTAL COVER KIT - BONE
7	385310132	BASE KIT- WHITE (inc items 3-14)
	385310133	BASE KIT- BONE (inc items 3-14)
8	385318162	KIT,BALL,SHAFT & CART-(inc. item 11)
9	385310117	PEDAL COVER - WHITE
	385310118	PEDAL COVER - BONE
10	385314349	WATER VALVE - KIT
11	385236096	SPRING CARTRIDGE - KIT
12	385310579	PEDAL, CARTRIDGE, KIT (inc. item 11)
13	385310063	FLOOR FLANGE, (inc item 5)
14	385318864	KIT, FUNNEL 506/806/706 (inc. item 5)
15	385340177	HOSE, SUPPLY - BONE
	385345377	HOSE, SUPPLY - WHITE
16	385316906	VACUUM BREAKER, KIT

Dometic *Sealand*
Dometic Corporation - Sanitation Systems
13128 State Rt. 226, P.O. Box 38
Big Prairie, OH 44611-0038 USA
Telephone: 330-496-3211
Fax: 330-496-3097
Email: sealand@dometicusa.com

PARTS LIST: 808,847, 848



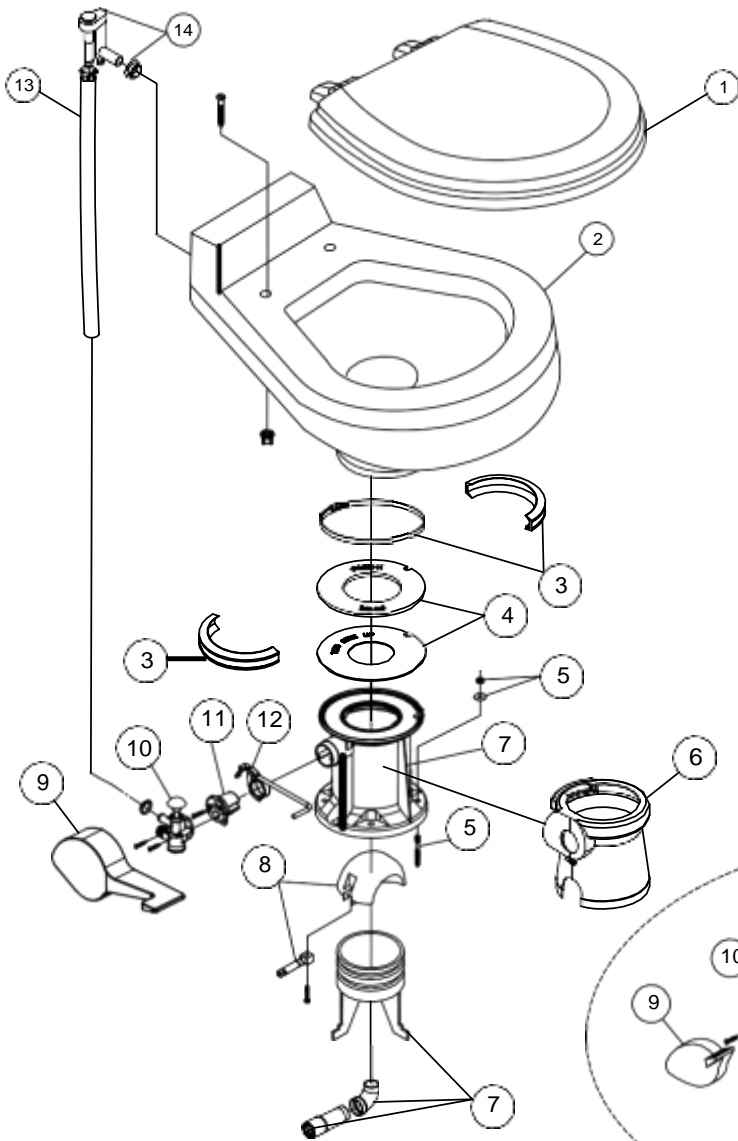
ITEM	PART NO.	DESCRIPTION
1	385344436	SEAT ASSEMBLY, WHITE
	385344437	SEAT ASSEMBLY, BONE
2	385310032	CHINA BOWL KIT, WHITE
	385310033	CHINA BOWL KIT, BONE
3	385310048	BAND & HALF CLAMP KIT - BONE
	385310025	BAND & HALF CLAMP KIT - WHITE
4	385311462	KIT, BASE SEAL/2 SEALS
5	385316323	MOUNTING HARDWARE
6	385310111	PEDESTAL COVER KIT - WHITE '08 MODEL
	385310112	PEDESTAL COVER KIT - BONE '08 MODEL
	385310674	PEDESTAL COVER KIT - WHITE '47 MODEL
	385310613	PEDESTAL COVER KIT - BONE '47 MODEL
	385310136	PEDESTAL COVER KIT - WHITE '48 MODEL
	385310137	PEDESTAL COVER KIT - BONE '48 MODEL
7	385310126	BASE KIT- WHITE (inc items 3-12) '08 MODEL
	385310127	BASE KIT- BONE (inc items 3-12) '08 MODEL
	385310665	BASE KIT- WHITE (inc items 3-12) '47 MODEL
	385310614	BASE KIT- BONE (inc items 3-12) '47 MODEL
	385310129	BASE KIT- WHITE (inc items 3-12) '48 MODEL
	385310130	BASE KIT- BONE (inc items 3-12) '48 MODEL
8	385318162	KIT,BALL,SHAFT & CART- WHITE(inc. item 11)
9	385310114	PEDAL COVER - WHITE
	385310115	PEDAL COVER - BONE
10	385314349	WATER VALVE - KIT
11	385236096	SPRING CARTRIDGE - KIT
12	385310578	PEDAL, CARTRIDGE, KIT (inc. item 11)
13	385340177	HOSE, SUPPLY - BONE
	385345377	HOSE, SUPPLY - WHITE
14	385316906	VACUUM BREAKER, KIT
N/S	385318741	KIT, FUNNEL '08

TOILET MODEL	DISCHARGE LOCATION
808	THROUGH THE FLOOR
847	OPPOSITE PEDAL
848	REAR OF TOILET



Dometic Corporation - Sanitation Systems
13128 State Rt. 226, P.O. Box 38
Big Prairie, OH 44611-0038 USA
Telephone: 330-496-3211
Fax: 330-496-3097
Email: sealand@dometicusa.com

PARTS LIST: VACUFLUSH MODELS 1006 - 1008 - 1047 - 1048 - 1049



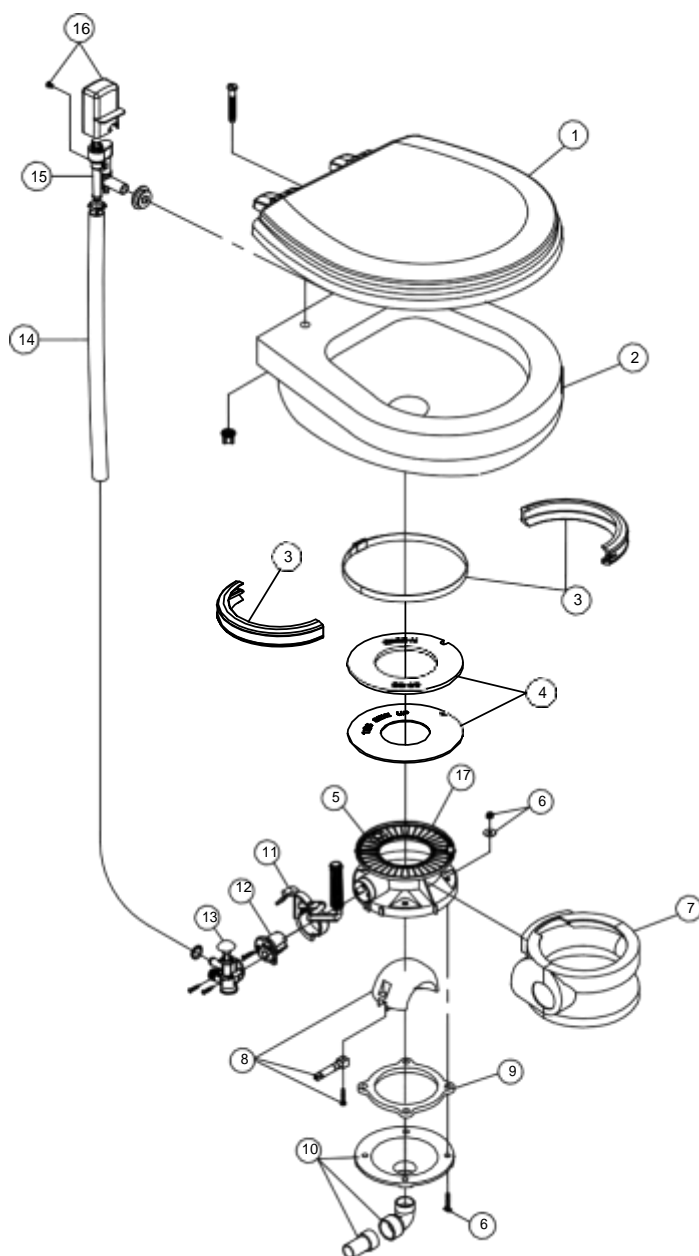
ITEM	PART NUMBER					DESCRIPTION
	1008	1047	1048	1049		
1	385344436					SEAT ASSEMBLY, WHITE
	385344437					SEAT ASSEMBLY, BONE
2	385310615					CHINA BOWL KIT, WHITE
	385310616					CHINA BOWL KIT, BONE
3	385310025					BAND AND HALF CLAMP, KIT WHITE
	385310048					BAND AND HALF CLAMP, KIT BONE
4	385311462					SEAL REPLACEMENT , KIT
5	385310064	385316323				MOUNTING HARDWARE
6	385310108	385310111	385310674	385310136	385310904	PEDESTAL COVER KIT , WHITE
	385310109	385310112	385310613	385310137	385310913	PEDESTAL COVER KIT , BONE
	385310600	385310173	385310746	385310174	N/A	PEDESTAL COVER KIT , EBONY
7	385310132	385310126	385310665	385310129	385310911	BASE KIT, WHITE (inc items 3-12)
	385310133	385310127	385310614	385310130	385310912	BASE KIT, BONE (inc items 3-12)
	385310607	385310171	N/A	385310172	N/A	BASE KIT, EBONY (inc items 3-12)
8	385318162					KIT,BALL,SHAFT & CART, WHITE (inc. item 11)
	385310177					KIT,BALL,SHAFT & CART, EBONY (inc. item 11)
9	385310117	385310111				PEDAL COVER, WHITE
	385310118	385310115				PEDAL COVER, BONE
	385310593	385310175				PEDAL COVER, EBONY
10	385314349					KIT, WATER VALVE
11	385236096					KIT, SPRING CARTRIDGE
12	385310579	385310578				KIT, LEVER/CART - BASE
13	385340177					HOSE, SUPPLY - BONE.
	385345377					HOSE, SUPPLY - WHITE
14	385316906					VACUUM BREAKER, KIT
15	385310063					KIT, FLOOR FLANGE SEAL
16	385318864					KIT, FUNNEL 506/806/706
N/S	385318741					KIT, FUNNEL '08

TOILET MODEL	DISCHARGE LOCATION
1008	THROUGH THE FLOOR
1047	OPPOSITE PEDAL
1048	REAR OF TOILET
1049	UNDER PEDAL
1006	THROUGH THE FLOOR

Dometic *Sealand*
Dometic Corporation - Sanitation Systems
13128 State Rt. 226, P.O. Box 38
Big Prairie, OH 44611-0038 USA
Telephone: 330-496-3211
Fax: 330-496-3097
Email: sealand@dometicusa.com

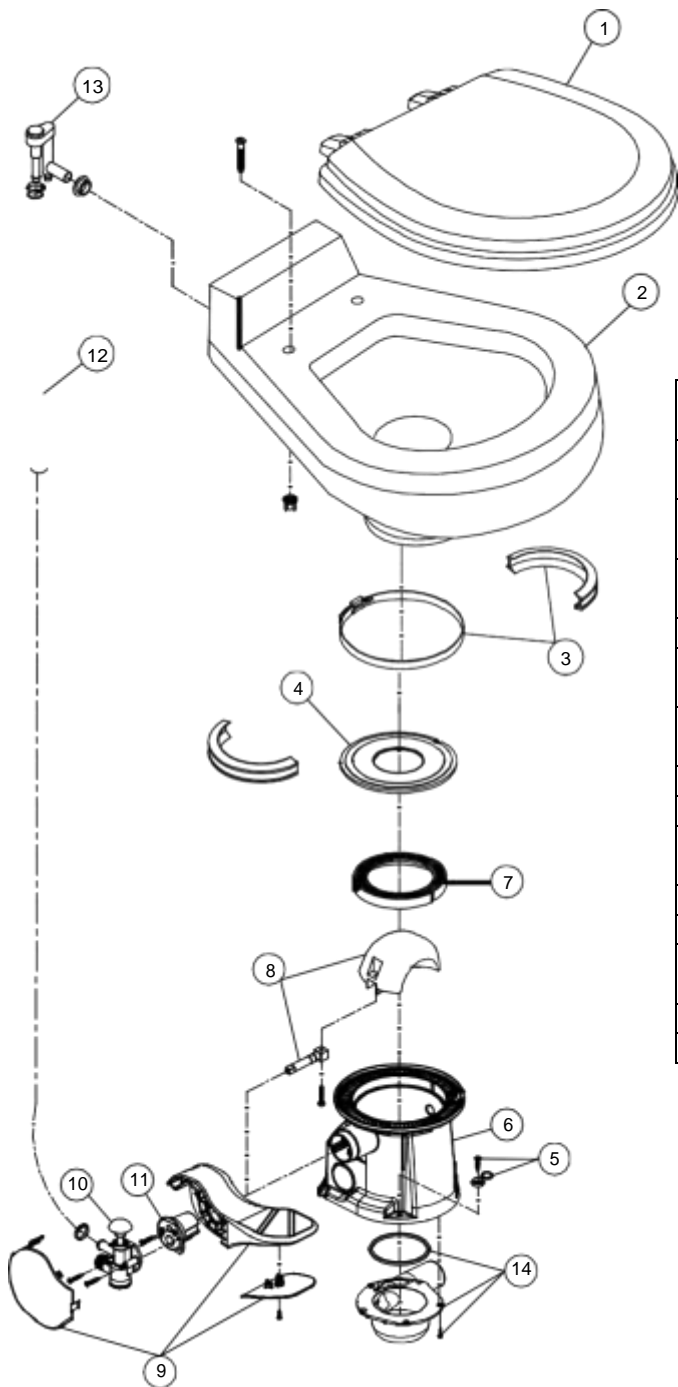
PARTS LIST: VACUFLUSH 1106

ITEM	PART NO.	DESCRIPTION	ITEM	PART NO.	DESCRIPTION
1	385344437	SEAT & LID ASSEMBLY, BONE	9	385310063	FLOOR FLANGE SEAL KIT (inc.item 6)
2	385310781	CHINA BOWL, BONE	10	385318864	FUNNEL KIT (inc.item 6 & 9)
3	385310048	HALF CLAMP KIT, BONE	11	385311095	HAND FLUSH KIT- (inc.item 12)
4	385311462	BASE, SEAL KIT REPLACEMENT	12	385236096	SPRING CARTRIDGE KIT
5	385311094	BASE KIT, BONE (inc. items 3 -13)	13	385314349	WATER VALVE KIT
6	385310064	MOUNTING KIT	14	385340177	SUPPLY HOSE, BONE
7	385310109	PEDESTAL COVER KIT, BONE	15	385310687	VACUUM BREAKER KIT
8	385318162	BALL/SHAFT/CARTRIDGE KIT (inc. item 12)	16	385310782	VACUUM BREAKER COVER



Dometic Corporation - Sanitation Systems
13128 State Rt. 226, P.O. Box 38
Big Prairie, OH 44611-0038 USA
Telephone: 330-496-3211
Fax: 330-496-3097
Email: sealand@dometicsa.com

PARTS LIST: 1147 - 1148



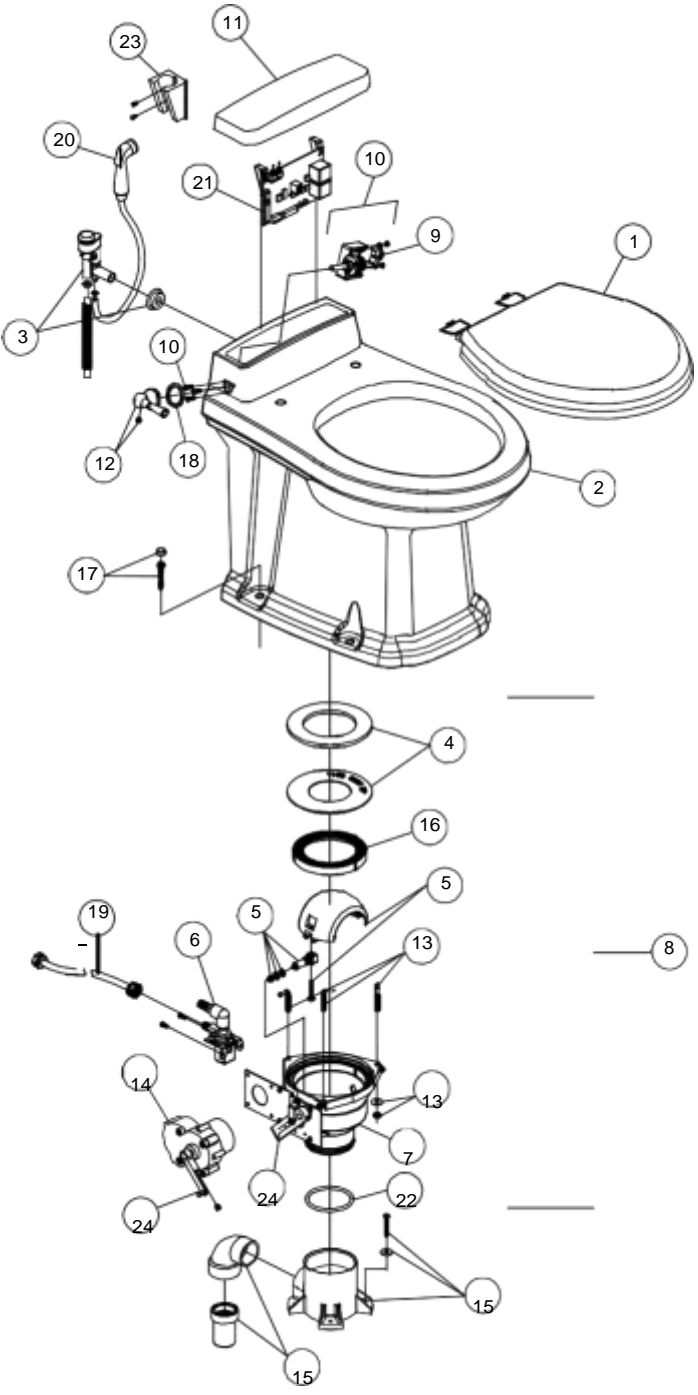
ITEM	PART NUMBER		DESCRIPTION
	1147	1148	
1	385344436		SEAT ASSEMBLY, WHITE
	385344437		SEAT ASSEMBLY, BONE
2	385310615		CHINA BOWL KIT, WHITE
	385310616		CHINA BOWL KIT, BONE
3	385310025		BAND AND HALF CLAMP, KIT WHITE
	385310048		BAND AND HALF CLAMP, KIT BONE
4	385310677		SEAL REPLACEMENT , KIT
5	385310679		MOUNTING HARDWARE - WHITE
	385310785		MOUNTING HARDWARE - BONE
6	385310685	385310686	BASE KIT , WHITE (inc. items 3 -11 & 14)
	385310783	385310784	BASE KIT , BONE (inc. items 3 -11&14)
7	385311292		BASE RING
8	385310681		KIT,BALL,SHAFT & CART, WHITE (inc. item 11)
9	385310682		PEDAL KIT, WHITE (inc. item 11)
	385310762		PEDAL KIT, BONE (inc. item 11)
10	385314349		WATER VALVE, KIT
11	385310683		SPRING CARTRIDGE, KIT
12	385340177		HOSE, SUPPLY - BONE.
	385345377		HOSE, SUPPLY - WHITE
13	385316906		VACUUM BREAKER, KIT
14	385310680		DISCHARGE KIT

TOILET MODEL	DISCHARGE LOCATION
147	OPPOSITE PEDAL
148	REAR OF TOILET



Dometic Corporation - Sanitation Systems
13128 State Rt. 226, P.O. Box 38
Big Prairie, OH 44611-0038 USA
Telephone: 330-496-3211
Fax: 330-496-3097
Email: sealand@dometicusa.com

PARTS LIST: 3048 PLUG IN BASE



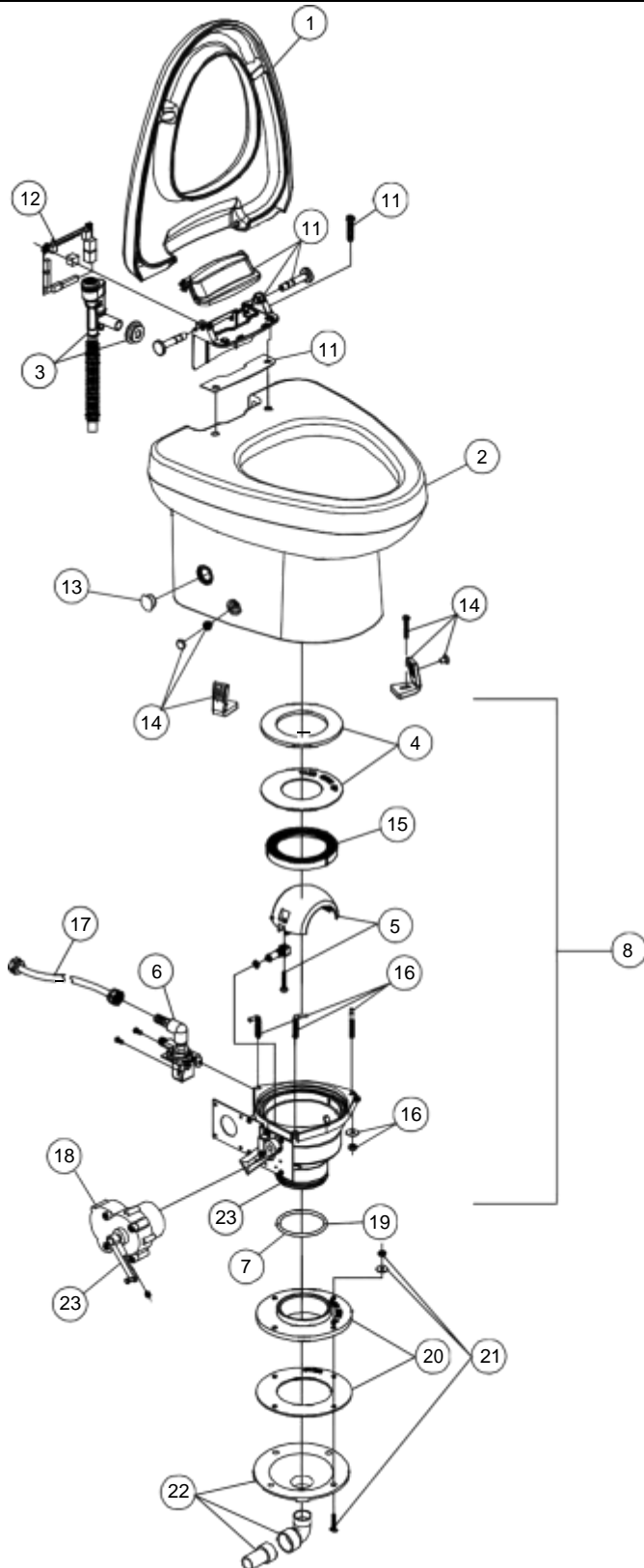
ITEM	PART NUMBER	DESCRIPTION
1	385344022	SEAT & COVER HF, WHITE
	385344023	SEAT & COVER HF, BONE
	385344024	SEAT & COVER HF, PLATINUM
	385344025	SEAT & COVER HF, EBONY
2	385310811	CHINA BOWL, WHITE
	385310812	CHINA BOWL, BONE
	385310867	CHINA BOWL, PLATINUM
3	385310869	CHINA BOWL, EBONY
	385310807	VACUUM BREAKER ASSEMBLY
	385310808	VACUUM BREAKER ASSY-HAND SPRAY MODEL
4	385311009	KIT, SEAL PLUG IN BASE
5	385310969	SHAFT/ HALF BALL KIT
5	385310971	SHAFT/HALF BALL KIT EBONY
6	385310821	WATER VALVE w/MOUNTING SCREWS (12VDC)
	385310845	WATER VALVE w/MOUNTING SCREWS (24VDC)
7	385311052	BASE 3048 PLUG IN 12&24
8	385311054	COMPLETE BASE ASSY 12VDC (DOESNT INCLUDE #15)
	385311055	COMPLETE BASE ASSY 24VDC (DOESNT INCLUDE #15)
9	385310965	KIT, ROCKER SWITCH w/CABLE
10	385310964	FLUSH CONTROL ASSY (INCLUDES CABLE)
11	385310851	ACCESS COVER, WHITE
	385310852	ACCESS COVER, BONE
	385310864	ACCESS COVER, PLATINUM
	385310866	ACCESS COVER, EBONY
12	385311141	KIT, FLUSH HANDLE-NICKLE
	385310962	FLUSH HANDLE WITH SET SCREW, CHROME
	385310963	FLUSH HANDLE WITH SET SCREW, GOLD
13	385311011	L- BOLTS/NUTS /WASH/ PLUG IN BASE
	385310822	MOTOR & MOUNTING HARDWARE (12VDC)
14	385310846	MOTOR & MOUNTING HARDWARE (24VDC)
	385311056	ADAPTER 48 PLUG IN
16	385311292	RING, BASE INSERT
17	385310813	CHINA BOWL MOUNTING KIT, CHROME
	385310814	CHINA BOWL MOUNTING KIT, GOLD
18	600344695	WASHER, FLUSH HANDLE
19	385311018	SUPPLY HOSE
20	385310809	HAND SPRAY; WHITE, BONE, PLATINUM
	385310873	HAND SPRAY; EBONY
21	385310888	CONTROL MODULE KIT-12VDC (VACUUM MODELS)
	385310890	CONTROL MODULE KIT-24VDC (VACUUM MODELS)
22	385311294	O'RING, BASE
23	385311131	SPRAY BRACKET; CHROME (includes screws)
	385311125	SPRAY BRACKET; EBONY (includes screws)
24	385311417	KIT, BASE DRIVE ARMS
N/S	385310854	ACCESS COVER MOUNTING KIT

* WHENEVER THE BASE IS REMOVED, YOU MUST REPLACE THE L-BOLTS AND NUTS.

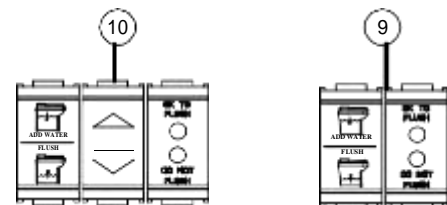


Dometic Corporation - Sanitation Systems
 13128 State Rt. 226, P.O. Box 38
 Big Prairie, OH 44611-0038 USA
 Telephone: 330-496-3211
 Fax: 330-496-3097
 Email: sealand@dometicusa.com

PARTS LIST: 3606 PLUG IN BASE

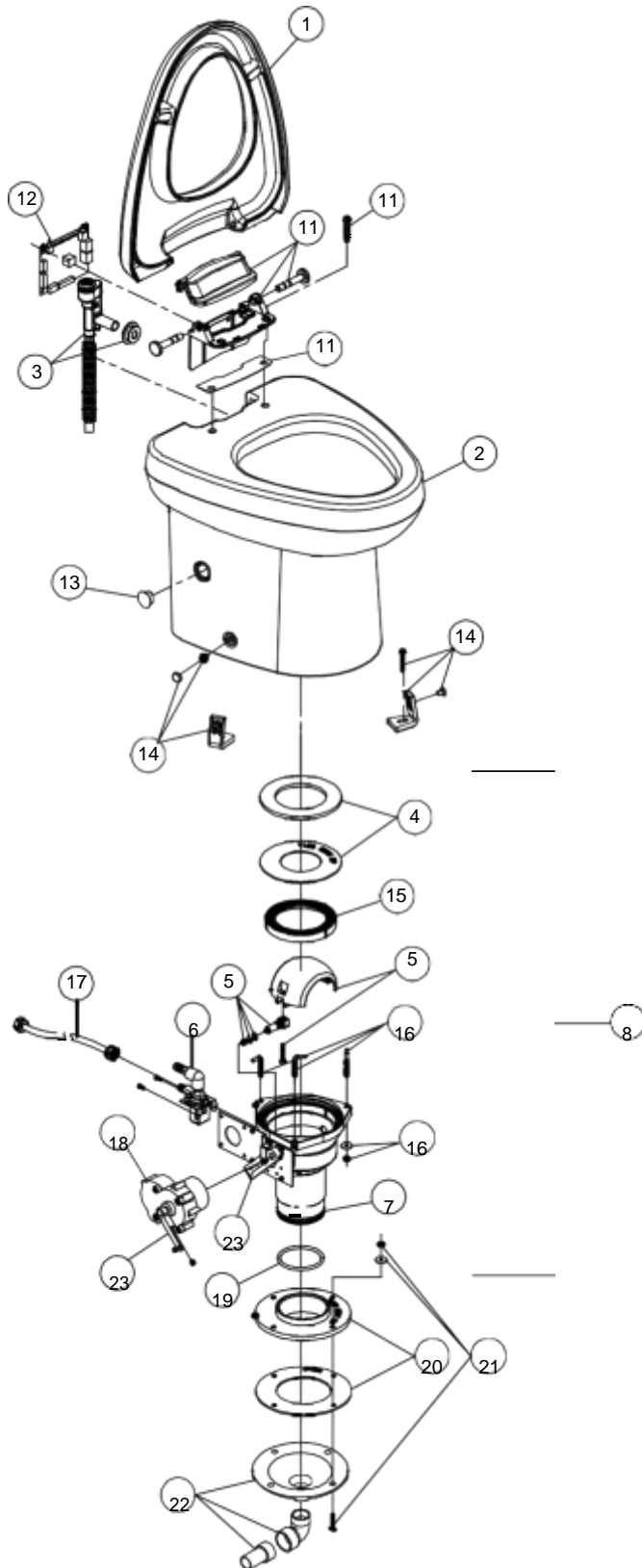


ITEM	PART NUMBER	DESCRIPTION
1	385311061	SEAT & COVER , WHITE
	385311062	SEAT & COVER , BONE
2	385311201	CHINA BOWL, WHITE
	385311202	CHINA BOWL, BONE
3	385310807	VACUUM BREAKER ASSEMBLY
4	385311009	KIT, SEAL PLUG IN BASE
5	385310969	SHAFT/ HALF BALL KIT
6	385310821	WATER VALVE w/MOUNTING SCREWS (12VDC)
	385310845	WATER VALVE w/MOUNTING SCREWS (24VDC)
7	385311053	KIT, BASE '06 PLUG IN (includes item 4,5,15,16,19)
8	385311312	COMPLETE BASE 12VDC PLUG IN (INCLUDES ITEMS 4-7, 15-19)
	385311313	COMPLETE BASE 24VDC PLUG IN (INCLUDES ITEMS 4-7, 15-19)
9	313401012	FLUSH SWITCH w/CABLE VIMAR 12/WHITE
	313401024	FLUSH SWITCH w/CABLE VIMAR 24/WHITE
	313402012	FLUSH SWITCH w/CABLE VIMAR 12/GRAY
	313402024	FLUSH SWITCH w/CABLE VIMAR 24/GRAY
10	313403012	FLUSH SWITCH w/CABLE GEWIS 12/GRAY
	313403024	FLUSH SWITCH w/CABLE GEWIS 24/GRAY
11	385311060	CIRCUIT BOARD COVER
12	385311058	3600 CIRCUIT BOARD 12VDC
	385311059	3600 CIRCUIT BOARD 24VDC
13	600344788	MANUAL OVERRIDE PLUG WHITE
	600344800	MANUAL OVERRIDE PLUG BONE
14	385311057	MOUNTING KIT
15	385311292	RING BASE INSERT
16	385311011	L- BOLTS/NUTS /WASH/ PLUG IN BASE
17	385311018	SUPPLY HOSE
18	385310822	MOTOR & MOUNTING HARDWARE (12VDC)
	385310846	MOTOR & MOUNTING HARDWARE (24VDC)
19	385311294	O'RING 3.1 X 3.5 X .21
20	385311013	FLOOR FLANGE ADPT (INC. ITEM 21)
21	385310064	MOUNTING HARDWARE
22	385318864	FUNNEL KIT (INC. ITEM 21)
23	385311417	KIT, BASE DRIVE ARMS

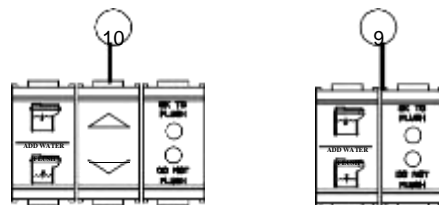


Dometic *Sealand*
Dometic Corporation - Sanitation Systems
13128 State Rt. 226, P.O. Box 38
Big Prairie, OH 44611-0038 USA
Telephone: 330-496-3211
Fax: 330-496-3097
Email: sealand@dometicusa.com

PARTS LIST: 3609 PLUG IN BASE

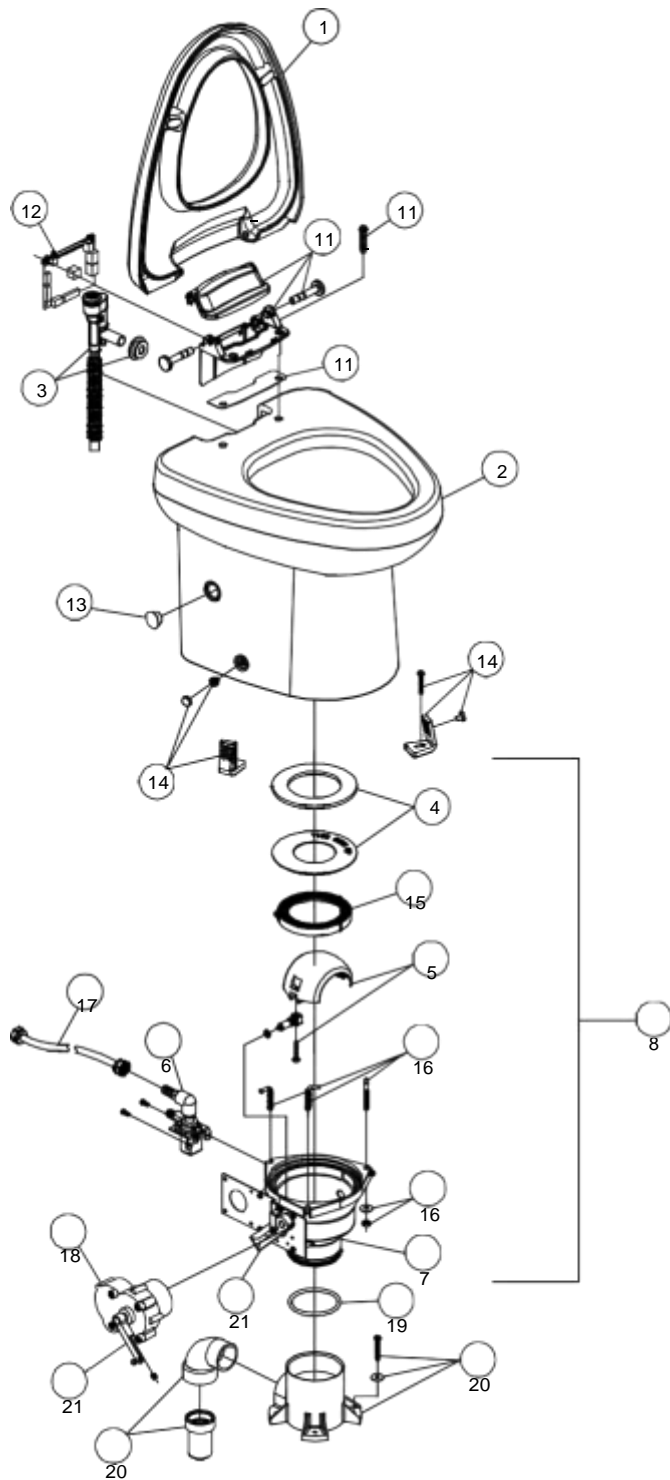


ITEM	PART NUMBER	DESCRIPTION
1	385311061	SEAT & COVER , WHITE
	385311062	SEAT & COVER , BONE
2	385311063	CHINA BOWL, WHITE
	385311064	CHINA BOWL, BONE
3	385310807	VACUUM BREAKER ASSEMBLY
4	385311009	KIT, SEAL PLUG IN BASE
5	385310969	SHAFT/ HALF BALL KIT
6	385310821	WATER VALVE w/MOUNTING SCREWS (12VDC)
	385310845	WATER VALVE w/MOUNTING SCREWS (24VDC)
7	385311051	BASE PLUG IN
8	385311050	COMPLETE BASE 12VDC PLUG IN (INCLUDES ITEMS 4-7, 16-19)
	385311170	COMPLETE BASE 24VDC PLUG IN (INCLUDES ITEMS 4-7, 14,16,19,22)
9	313401012	FLUSH SWITCH w/CABLE VIMAR 12/WHITE
	313401024	FLUSH SWITCH w/CABLE VIMAR 24/WHITE
	313402012	FLUSH SWITCH w/CABLE VIMAR 12/GRAY
	313402024	FLUSH SWITCH w/CABLE VIMAR 24/GRAY
10	313403012	FLUSH SWITCH w/CABLE GEWIS 12/GRAY
	313403024	FLUSH SWITCH w/CABLE GEWIS 24/GRAY
11	385311060	CIRCUIT BOARD COVER
12	385311058	3600 CIRCUIT BOARD 12VDC
	385311059	3600 CIRCUIT BOARD 24VDC
13	600344788	MANUAL OVERRIDE PLUG WHITE
	600344800	MANUAL OVERRIDE PLUG BONE
14	385311057	MOUNTING KIT
15	385311292	RING BASE INSERT
16	385311011	L- BOLTS/NUTS /WASH/ PLUG IN BASE
17	385311018	SUPPLY HOSE
18	385310822	MOTOR & MOUNTING HARDWARE (12VDC)
	385310846	MOTOR & MOUNTING HARDWARE (24VDC)
19	385311294	O'RING 3.1 X 3.5 X .21
20	385311013	FLOOR FLANGE ADAPTER KIT (includes item 21)
21	385310064	MOUNTING HARDWARE
22	385318864	MOUNTING FUNNEL (includes item 21)
23	385311417	KIT, BASE DRIVE ARMS

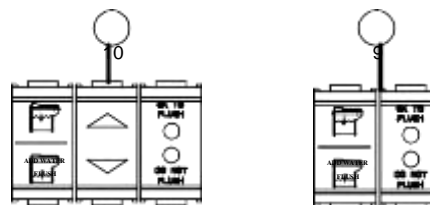


Dometic Corporation - Sanitation Systems
13128 State Rt. 226, P.O. Box 38
Big Prairie, OH 44611-0038 USA
Telephone: 330-496-3211
Fax: 330-496-3097
Email: sealand@dometicusa.com

PARTS LIST: 3648 PLUG IN BASE



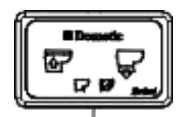
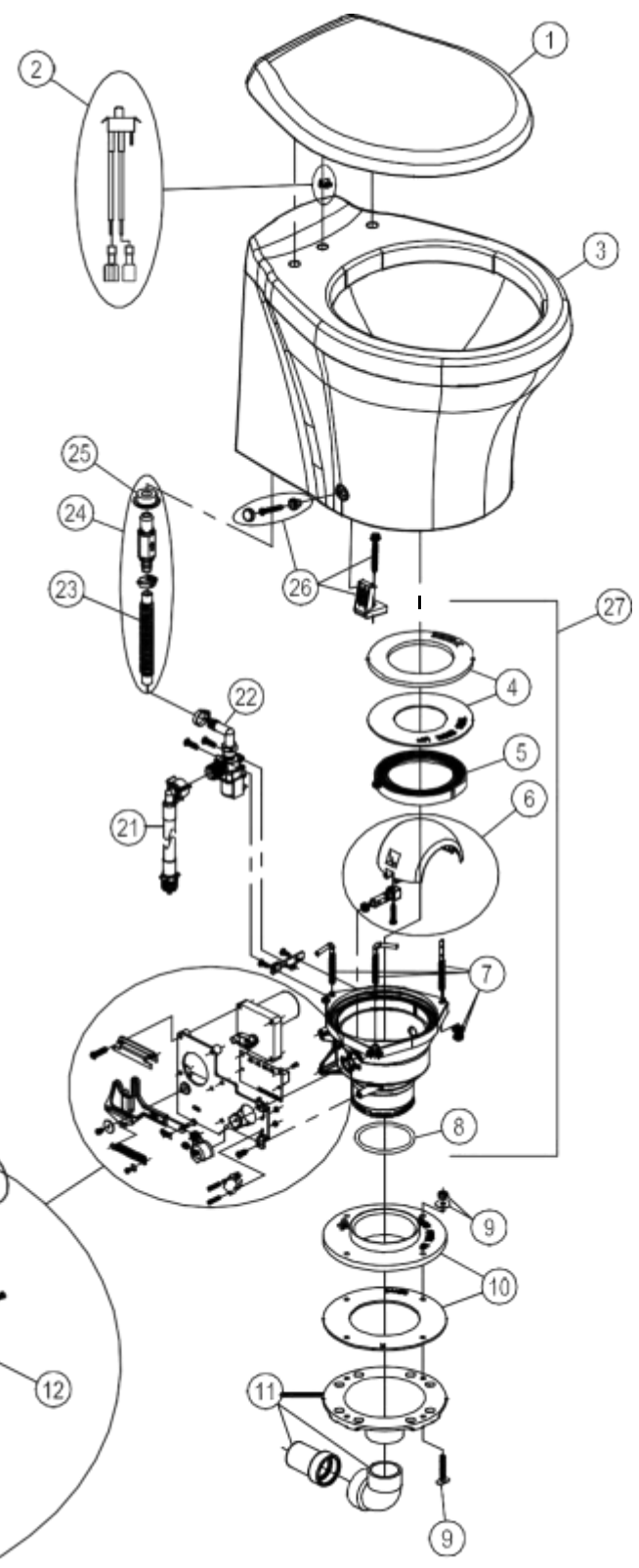
ITEM	PART NUMBER	DESCRIPTION
1	385311061	SEAT & COVER , WHITE
	385311062	SEAT & COVER , BONE
2	385311063	CHINA BOWL, WHITE
	385311064	CHINA BOWL, BONE
3	385310807	VACUUM BREAKER ASSEMBLY
4	385311009	KIT, SEAL PLUG IN BASE
5	385310969	SHAFT/ HALF BALL KIT
6	385310821	WATER VALVE w/MOUNTING SCREWS (12VDC)
	385310845	WATER VALVE w/MOUNTING SCREWS (24VDC)
7	385311052	BASE PLUG IN (includes item 4,5,15,16,19)
8	385311054	COMPLETE BASE 12VDC PLUG IN (INCLUDES ITEMS 4-7, 15-20)
	385311055	COMPLETE BASE 24VDC PLUG IN (INCLUDES ITEMS 4-7, 15-20)
9	313401012	FLUSH SWITCH w/CABLE VIMAR 12/WHITE
	313401024	FLUSH SWITCH w/CABLE VIMAR 24/WHITE
	313402012	FLUSH SWITCH w/CABLE VIMAR 12/GRAY
	313402024	FLUSH SWITCH w/CABLE VIMAR 24/GRAY
10	313403012	FLUSH SWITCH w/CABLE GEWIS 12/GRAY
	313403024	FLUSH SWITCH w/CABLE GEWIS 24/GRAY
11	385311060	CIRCUIT BOARD COVER
12	385311058	3600 CIRCUIT BOARD 12VDC
	385311059	3600 CIRCUIT BOARD 24VDC
13	600344788	MANUAL OVERRIDE PLUG WHITE
	600344800	MANUAL OVERRIDE PLUG BONE
14	385311057	MOUNTING KIT
15	385311292	RING BASE INSERT
16	385311011	L- BOLTS/NUTS /WASH/ PLUG IN BASE
17	385311018	SUPPLY HOSE
18	385310822	MOTOR & MOUNTING HARDWARE (12VDC)
	385310846	MOTOR & MOUNTING HARDWARE (24VDC)
19	385311294	KIT, O'RING PLUG-IN BASE
20	385311056	ADAPTER 48 PLUG IN
21	385311417	KIT, BASE DRIVE ARMS



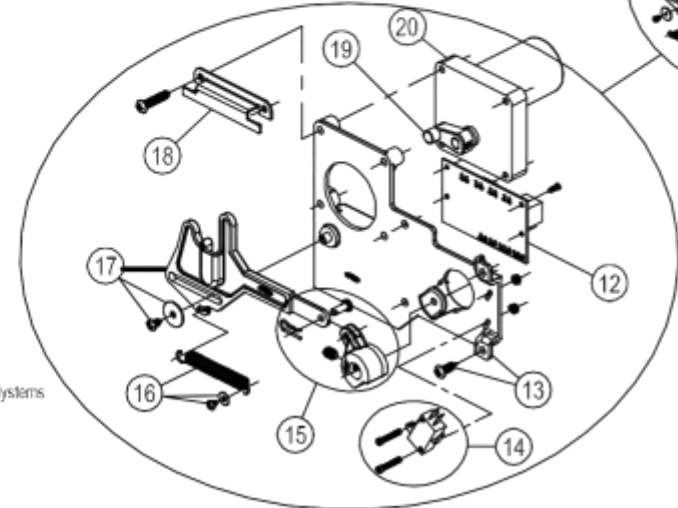
PARTS LIST: 4606 MODEL SERIES

ITEM	PART NUMBER & DESCRIPTION
1	385311618 SEAT/COVER SLOW-CLOSE - WHITE 385311619 SEAT/COVER SLOW-CLOSE - BONE
2	385311691 SERVICE SWITCH REPLACEMENT
3	385311867 4600 SHORT BOWL KIT - WHITE 385311868 4600 SHORT BOWL KIT - BONE
4	385311009 FLUSH BALL SEAL REPL KIT **INCLUDES ITEMS 7.
5	385311292 BASE FLUSH BALL RING KIT
6	385310969 FLUSH BALL/SHAFT REPL KIT
7	385311011 BASE TO BOWL MOUNTING HARDWARE
8	385311294 BASE O'RING REPL KIT
9	385310064 FLOOR FLANGE MOUNTING HARDWARE
10	385311013 FLOOR FLANGE ADAPTER KIT **INCLUDES ITEMS 9.
11	385318864 VF FUNNEL KIT **INCLUDES ITEMS 8.
12	385311690 CONTROL MODULE
13	385311394 FLUSH MECHANISM w/MTG BRACKET **INCLUDES ITEMS 14, 15, 16, 17, 18.
14	385311673 FLUSH ACTUATION SWITCH
15	385311296 FLUSH BALL CAM REPL KIT
16	385311393 FLUSH MECHANISM RETURN SPRING
17	385311392 FLUSH MECHANISM LINKAGE
18	385311429 FLUSH LINKAGE GUIDE BRACKET
19	385311299 MOTOR DRIVE ARM REPL KIT
20	385311300 MOTOR REPLACEMENT KIT - 12VDC 385311390 MOTOR REPLACEMENT KIT - 24VDC **INCLUDES ITEM 19.
21	385311547 WATER SUPPLY HOSE
22	385311545 WATER VALVE KIT - 12VDC 385311546 WATER VALVE KIT - 24VDC
23	385311869 CORRUGATED SUPPLY HOSE
24	385311384 CHECK VALVE w/HOSE **INCLUDES ITEM 23 & 25.
25	385311164 1/2" SEALING GROMMET
26	385311463 BOWL MOUNTING HARDWARE KIT
27	385311395 '06 PLUG-IN BASE KIT - 12VDC 385311396 '06 PLUG-IN BASE KIT - 24VDC **INCLUDES ITEMS 4-8 & 12-24.

28	313400021 DOMETIC TOUCHPAD VF - BLACK 313400022 DOMETIC TOUCHPAD VF - WHITE
----	--



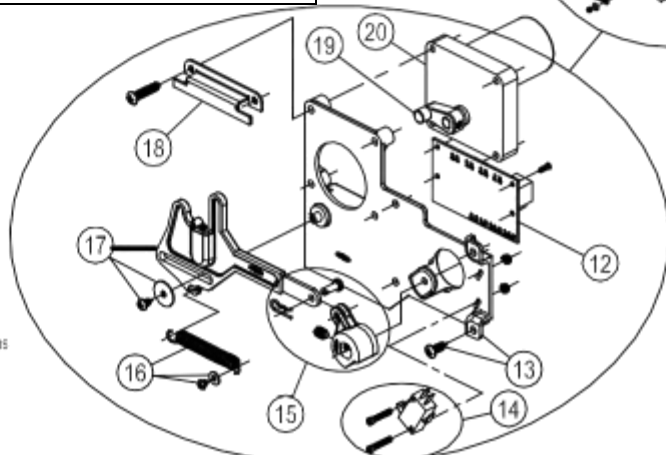
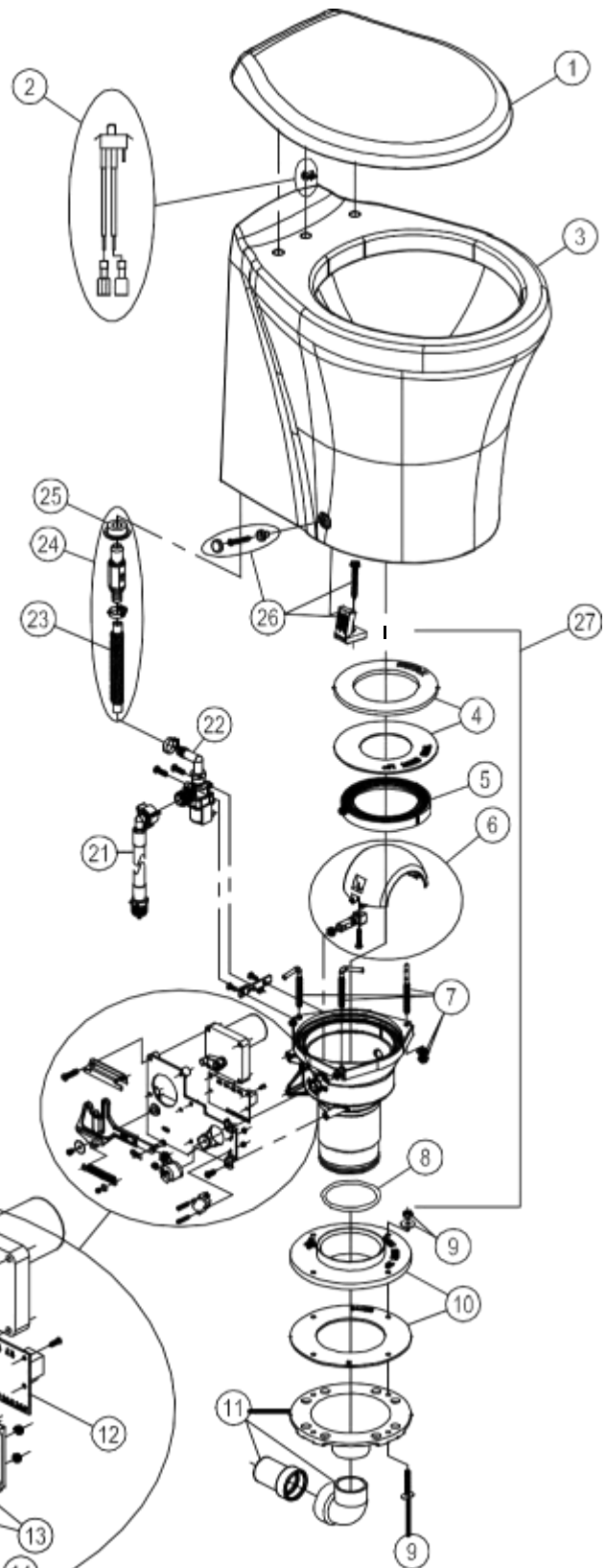
28



Dometic Corporation - Sanitation Systems
13128 State Rt. 226, P.O. Box 38
Big Prairie, OH 44611-0038 USA
Telephone: 330-496-3211
Fax: 330-496-3097
Email: sealand@dometicusa.com

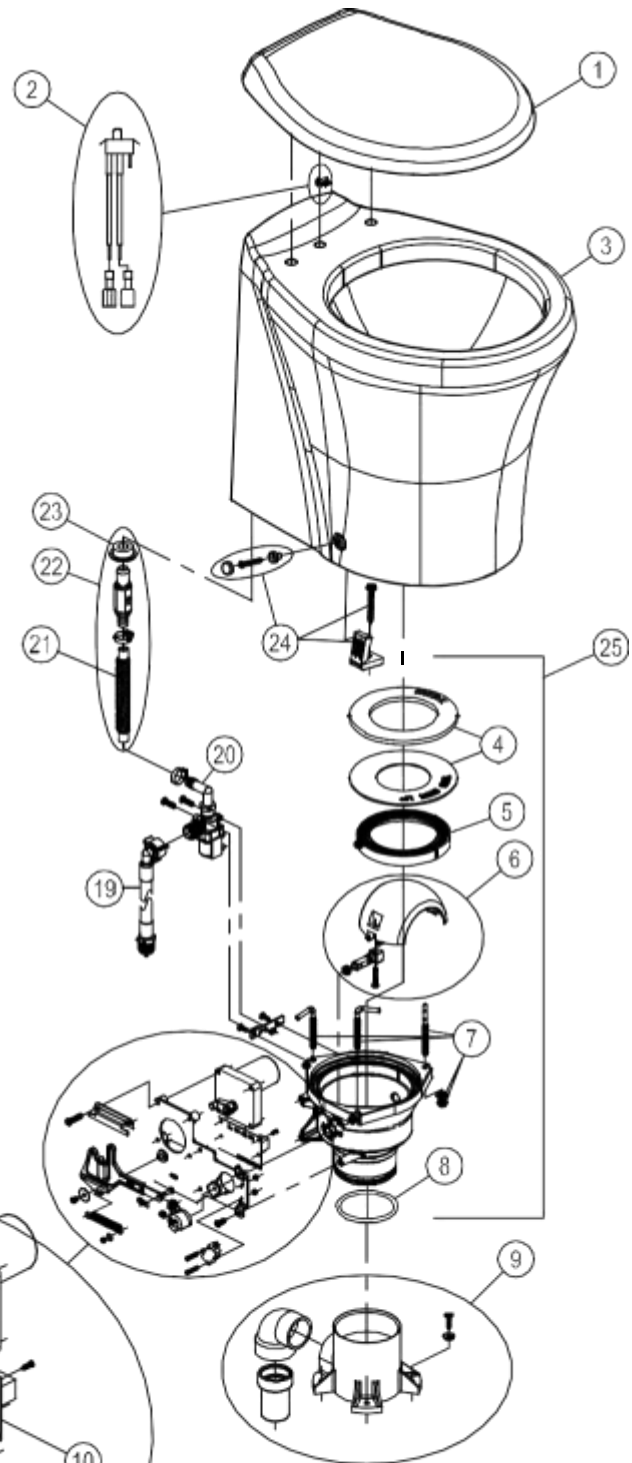
PARTS LIST: 4609 MODEL SERIES

ITEM	PART NUMBER & DESCRIPTION
1	385311618 SEAT/COVER SLOW-CLOSE - WHITE 385311619 SEAT/COVER SLOW-CLOSE - BONE
2	385311691 SERVICE SWITCH REPLACEMENT
3	385311870 4600 TALL BOWL KIT - WHITE 385311871 4600 TALL BOWL KIT - BONE
4	385311009 FLUSH BALL SEAL REPL KIT **INCLUDES ITEMS 7.
5	385311292 BASE FLUSH BALL RING KIT
6	385310969 FLUSH BALL/SHAFT REPL KIT
7	385311011 BASE TO BOWL MOUNTING HARDWARE
8	385311294 BASE O/RING REPL KIT
9	385310064 FLOOR FLANGE MOUNTING HARDWARE
10	385311013 FLOOR FLANGE ADAPTER KIT **INCLUDES ITEMS 9.
11	385318864 VF FUNNEL KIT **INCLUDES ITEMS 6.
12	385311690 CONTROL MODULE
13	385311394 FLUSH MECHANISM w/MTG BRACKET **INCLUDES ITEMS 14, 15, 16, 17, 18.
14	385311673 FLUSH ACTUATION SWITCH
15	385311296 FLUSH BALL CAM REPL KIT
16	385311393 FLUSH MECHANISM RETURN SPRING
17	385311392 FLUSH MECHANISM LINKAGE
18	385311429 FLUSH LINKAGE GUIDE BRACKET
19	385311299 MOTOR DRIVE ARM REPL KIT
20	385311300 MOTOR REPLACEMENT KIT - 12VDC 385311390 MOTOR REPLACEMENT KIT - 24VDC **INCLUDES ITEM 19.
21	385311547 WATER SUPPLY HOSE
22	385311545 WATER VALVE KIT - 12VDC 385311546 WATER VALVE KIT - 24VDC
23	385311869 CORRUGATED SUPPLY HOSE
24	385311384 CHECK VALVE w/HOSE **INCLUDES ITEM 23 & 25.
25	385311164 1/2" SEALING GROMMET
26	385311463 BOWL MOUNTING HARDWARE KIT
27	385311397 '09 PLUG-IN BASE KIT - 12VDC 385311398 '09 PLUG-IN BASE KIT - 24VDC **INCLUDES ITEMS 4-8 & 12-24.
28	313400021 DOMETIC TOUCHPAD VF - BLACK 313400022 DOMETIC TOUCHPAD VF - WHITE

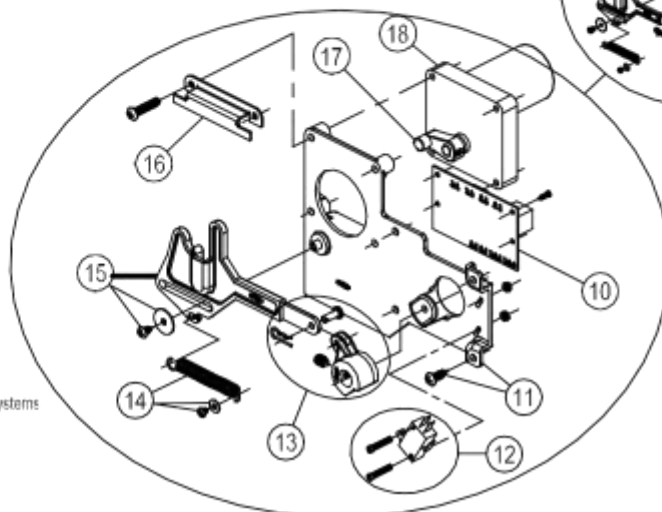


PARTS LIST: 4648 MODEL SERIES

ITEM	PART NUMBER & DESCRIPTION
1	385311618 SEAT/COVER SLOW-CLOSE - WHITE
	385311619 SEAT/COVER SLOW-CLOSE - BONE
2	385311691 SERVICE SWITCH REPLACEMENT
3	385311670 4600 TALL BOWL KIT - WHITE
	385311871 4600 TALL BOWL KIT - BONE
4	385311009 FLUSH BALL SEAL REPL KIT **INCLUDES ITEMS 7.
5	385311292 BASE FLUSH BALL RING KIT
6	385310969 FLUSH BALL/SHAFT REPL KIT
7	385311011 BASE TO BOWL MOUNTING HARDWARE
8	385311294 BASE O/RING REPL KIT
9	385311056 ABOVE FLOOR DISCHARGE ADAPT KIT
10	385311690 CONTROL MODULE
11	385311394 FLUSH MECHANISM w/MTG BRACKET **INCLUDES ITEMS 12, 13, 14, 15, 16.
12	385311673 FLUSH ACTUATION SWITCH
13	385311296 FLUSH BALL CAM REPL KIT
14	385311393 FLUSH MECHANISM RETURN SPRING
15	385311392 FLUSH MECHANISM LINKAGE
16	385311429 FLUSH LINKAGE GUIDE BRACKET
17	385311299 MOTOR DRIVE ARM REPL KIT
18	385311300 MOTOR REPLACEMENT KIT - 12VDC
	385311390 MOTOR REPLACEMENT KIT - 24VDC **INCLUDES ITEM 17.
19	385311547 WATER SUPPLY HOSE
20	385311545 WATER VALVE KIT - 12VDC
	385311546 WATER VALVE KIT - 24VDC
21	385311969 CORRUGATED SUPPLY HOSE
22	385311384 CHECK VALVE w/HOSE **INCLUDES ITEM 21 & 23.
23	385311164 1/2" SEALING GROMMET
24	385311463 BOWL MOUNTING HARDWARE KIT
25	385311399 1/48 PLUG-IN BASE KIT - 12VDC
	385311400 1/48 PLUG-IN BASE KIT - 24VDC **INCLUDES ITEMS 4-8 & 10-22.
26	313400021 DOMETIC TOUCHPAD VF - BLACK
	313400022 DOMETIC TOUCHPAD VF - WHITE

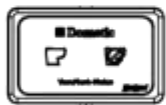
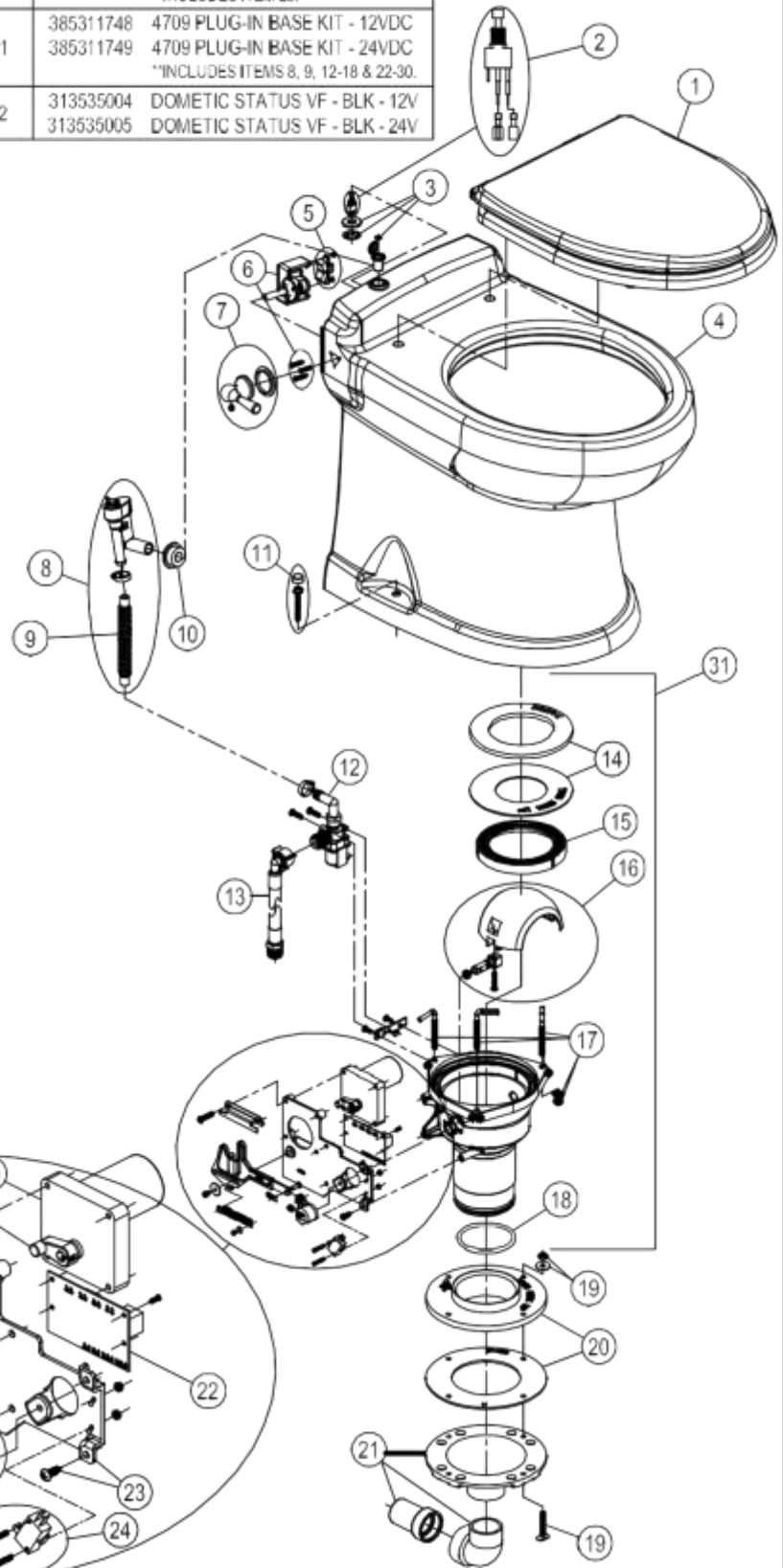


26



PARTS LIST: 4709 MODEL SERIES w/FLUSH HANDLE

ITEM	PART NUMBER & DESCRIPTION			
1	385311005 SEAT/COVER - WHITE 385311006 SEAT/COVER - BONE	30	385311300 MOTOR REPL KIT - 12VDC 385311390 MOTOR REPL KIT - 24VDC *INCLUDES ITEM 29.	
2	385311752 SERVICE SWITCH REPLACEMENT	31	385311748 4709 PLUG-IN BASE KIT - 12VDC 385311749 4709 PLUG-IN BASE KIT - 24VDC *INCLUDES ITEMS 8, 9, 12-18 & 22-30.	
3	385311750 SERVICE SWITCH HOUSING - WHITE 385311751 SERVICE SWITCH HOUSING - BONE	32	313535004 DOMETIC STATUS VF - BLK - 12V 313535005 DOMETIC STATUS VF - BLK - 24V	
4	385311730 4700 BOWL KIT - WHITE 385311731 4700 BOWL KIT - BONE			
5	385311703 FLUSH HANDLE SWITCH w/WIRING			
6	385311704 FLUSH HANDLE ASSEMBLY *INCLUDES ITEM 5.			
7	385310962 FLUSH HANDLE KIT - CHROME 385310963 FLUSH HANDLE KIT - GOLD 385311141 FLUSH HANDLE KIT - NICKLE			
8	385310807 VACUUM BREAKER KIT *INCLUDES ITEMS 9 & 10.			
9	385311869 CORRUGATED SUPPLY HOSE			
10	385311164 1/2" SEALING GROMMET			
11	385311022 BOWL MOUNTING HARDWARE			
12	385311545 WATER VALVE KIT - 12VDC 385311546 WATER VALVE KIT - 24VDC			
13	385311547 WATER SUPPLY HOSE			
14	385311009 FLUSH BALL SEAL REPL KIT *INCLUDES ITEMS 17.			
15	385311292 BASE FLUSH BALL RING KIT			
16	385310969 FLUSH BALL/SHAFT REPL KIT			
17	385311011 BASE TO BOWL MOUNTING HARDWARE			
18	385311294 BASE O'RING REPL KIT			
19	385310064 FLOOR FLANGE MOUNTING HARDWARE			
20	385311013 FLOOR FLANGE ADAPTER KIT *INCLUDES ITEMS 19.			
21	385318864 VF FUNNEL KIT *INCLUDES ITEMS 19.			
22	385311690 CONTROL MODULE			
23	385311394 FLUSH MECHANISM w/MTG BRACKET *INCLUDES ITEMS 24, 25, 26, 27, 28.			
24	385311673 FLUSH ACTUATION SWITCH			
25	385311296 FLUSH BALL CAM REPL KIT			
26	385311393 FLUSH MECHANISM RETURN SPRING			
27	385311392 FLUSH MECHANISM LINKAGE			
28	385311429 FLUSH LINKAGE GUIDE BRACKET			
29	385311299 MOTOR DRIVE ARM REPL KIT			

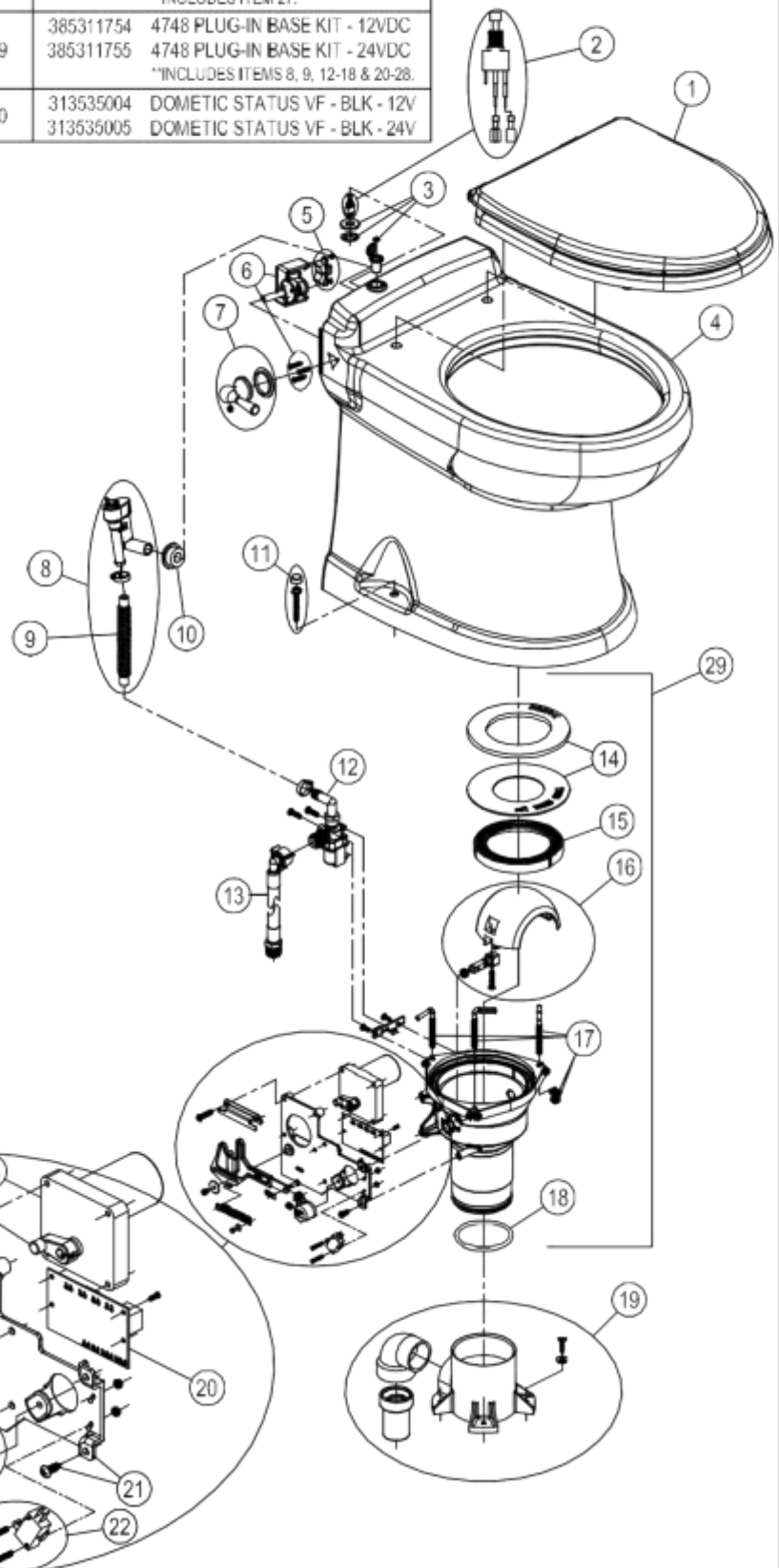


32

Dometic Corporation -
Sanitation Systems
13128 State Rt. 226 P.O. Box 38
Big Prairie, OH 44611-0038 USA
Telephone: 330-496-3211
Fax: 330-496-3097
Email: sealand@dometicusa.com

PARTS LIST: 4748 MODEL SERIES w/FLUSH HANDLE

ITEM	PART NUMBER & DESCRIPTION
1	385311005 SEAT/COVER - WHITE 385311006 SEAT/COVER - BONE
2	385311752 SERVICE SWITCH REPLACEMENT
3	385311750 SERVICE SWITCH HOUSING - WHITE 385311751 SERVICE SWITCH HOUSING - BONE
4	385311730 4700 BOWL KIT - WHITE 385311731 4700 BOWL KIT - BONE
5	385311703 FLUSH HANDLE SWITCH w/WIRING
6	385311704 FLUSH HANDLE ASSEMBLY **INCLUDES ITEM 5.
7	385310962 FLUSH HANDLE KIT - CHROME 385310963 FLUSH HANDLE KIT - GOLD 385311141 FLUSH HANDLE KIT - NICKLE
8	385310807 VACUUM BREAKER KIT **INCLUDES ITEMS 9 & 10.
9	385311869 CORRUGATED SUPPLY HOSE
10	385311164 1/2" SEALING GROMMET
11	385311022 BOWL MOUNTING HARDWARE
12	385311545 WATER VALVE KIT - 12VDC 385311546 WATER VALVE KIT - 24VDC
13	385311547 WATER SUPPLY HOSE
14	385311009 FLUSH BALL SEAL REPL KIT **INCLUDES ITEMS 17.
15	385311292 BASE FLUSH BALL RING KIT
16	385310969 FLUSH BALL/SHAFT REPL KIT
17	385311011 BASE TO BOWL MOUNTING HARDWARE
18	385311294 BASE O'RING REPL KIT
19	385311056 ABOVE FLOOR DISCHARGE ADAPT KIT
20	385311690 CONTROL MODULE
21	385311394 FLUSH MECHANISM w/MTG BRACKET **INCLUDES ITEMS 22, 23, 24, 25, 26.
22	385311673 FLUSH ACTUATION SWITCH
23	385311296 FLUSH BALL CAM REPL KIT
24	385311393 FLUSH MECHANISM RETURN SPRING
25	385311392 FLUSH MECHANISM LINKAGE
26	385311429 FLUSH LINKAGE GUIDE BRACKET
27	385311299 MOTOR DRIVE ARM REPL KIT
28	385311300 MOTOR REPL KIT - 12VDC 385311390 MOTOR REPL KIT - 24VDC **INCLUDES ITEM 27.
29	385311754 4748 PLUG-IN BASE KIT - 12VDC 385311755 4748 PLUG-IN BASE KIT - 24VDC **INCLUDES ITEMS 8, 9, 12-18 & 20-28.
30	313535004 DOMETIC STATUS VF - BLK - 12V 313535005 DOMETIC STATUS VF - BLK - 24V

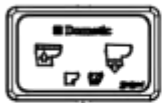
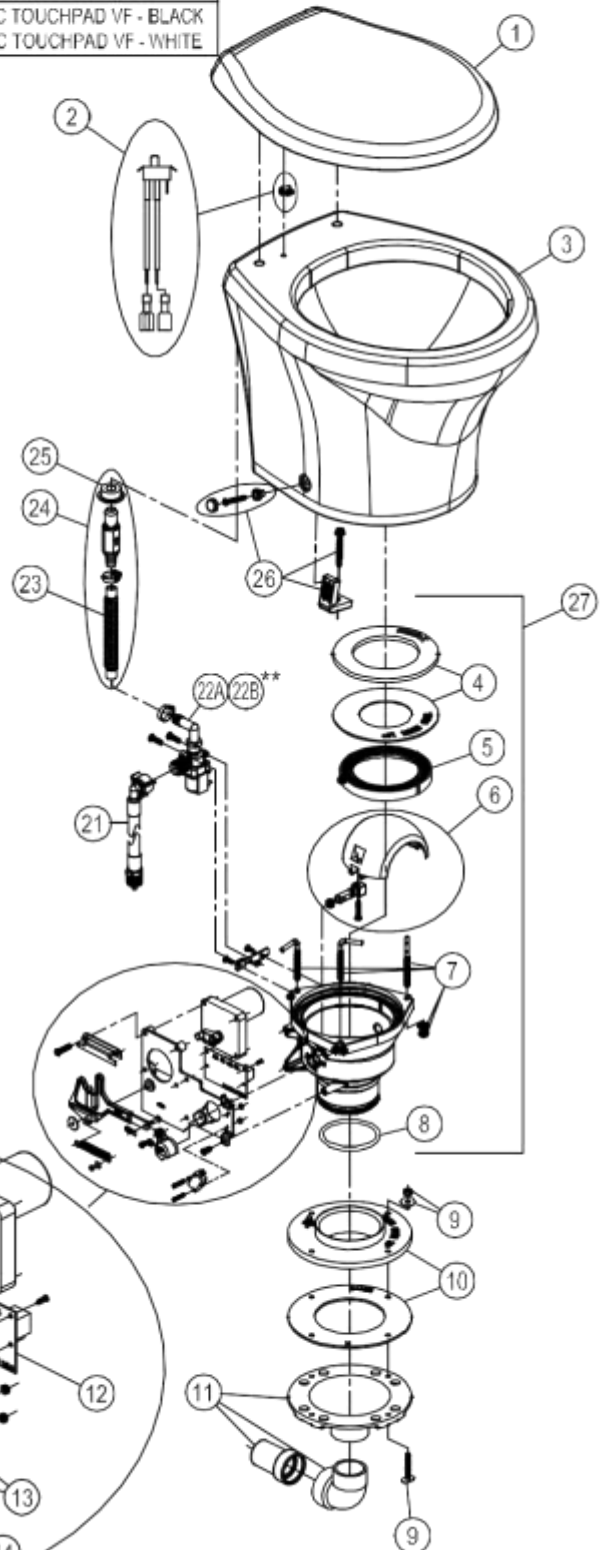


Dometic Corporation -
Sanitation Systems
13128 State Rt. 226 P.O. Box 38
Big Prairie, OH 44611-0038 USA
Telephone: 330-496-3211
Fax: 330-496-3097
Email: sealand@dometicusa.com

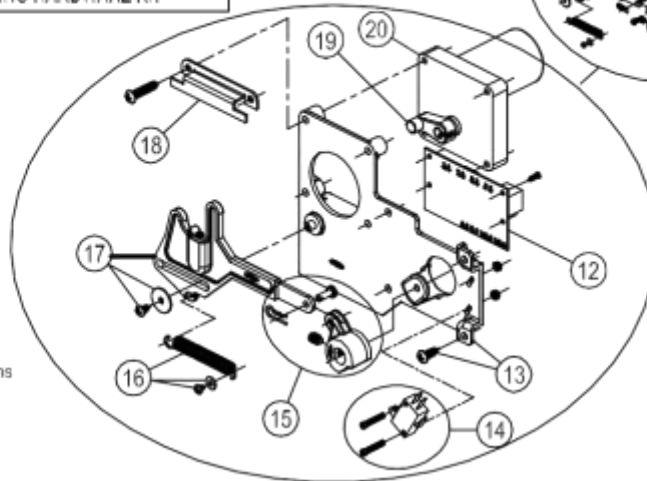
PARTS LIST: 4806 MODEL SERIES

ITEM	PART NUMBER & DESCRIPTION
1	385311618 SEAT/COVER SLOW-CLOSE - WHITE 385311619 SEAT/COVER SLOW-CLOSE - BONE
2	385311691 SERVICE SWITCH REPLACEMENT
3	385311378 4800 SHORT BOWL KIT - WHITE 385311379 4800 SHORT BOWL KIT - BONE
4	385311009 FLUSH BALL SEAL REPL KIT **INCLUDES ITEMS 7.
5	385311292 BASE FLUSH BALL RING KIT
6	385310969 FLUSH BALL/SHAFT REPL KIT
7	385311011 BASE TO BOWL MOUNTING HARDWARE
8	385311294 BASE O'RING REPL KIT
9	385310064 FLOOR FLANGE MOUNTING HARDWARE
10	385311013 FLOOR FLANGE ADAPTER KIT **INCLUDES ITEMS 9.
11	385318864 VF FUNNEL KIT **INCLUDES ITEMS 9.
12	385311690 CONTROL MODULE
13	385311394 FLUSH MECHANISM w/MTG BRACKET **INCLUDES ITEMS 14, 15, 16, 17, 18.
14	385311673 FLUSH ACTUATION SWITCH
15	385311296 FLUSH BALL CAM REPL KIT
16	385311393 FLUSH MECHANISM RETURN SPRING
17	385311392 FLUSH MECHANISM LINKAGE
18	385311429 FLUSH LINKAGE GUIDE BRACKET
19	385311299 MOTOR DRIVE ARM REPL KIT
20	385311300 MOTOR REPLACEMENT KIT - 12VDC 385311390 MOTOR REPLACEMENT KIT - 24VDC **INCLUDES ITEM 19.
21	385311547 WATER SUPPLY HOSE
22A	385311545 WATER VALVE KIT - 12VDC 385311546 WATER VALVE KIT - 24VDC
22B**	385311709 RETROFIT WATER VALVE KIT - 12VDC 385311710 RETROFIT WATER VALVE KIT - 24VDC **INCLUDES MOUNTING BRACKET. **FOR 2009 & OLDER MODEL TOILETS.
23	385311869 CORRUGATED SUPPLY HOSE
24	385311384 CHECK VALVE w/HOSE **INCLUDES ITEM 23 & 25.
25	385311164 1/2" SEALING GROMMET
26	385311463 BOWL MOUNTING HARDWARE KIT

27	385311395 '06 PLUG-IN BASE KIT - 12VDC 385311396 '06 PLUG-IN BASE KIT - 24VDC **INCLUDES ITEMS 4-8 & 12-24.
28	313400021 DOMETIC TOUCHPAD VF - BLACK 313400022 DOMETIC TOUCHPAD VF - WHITE

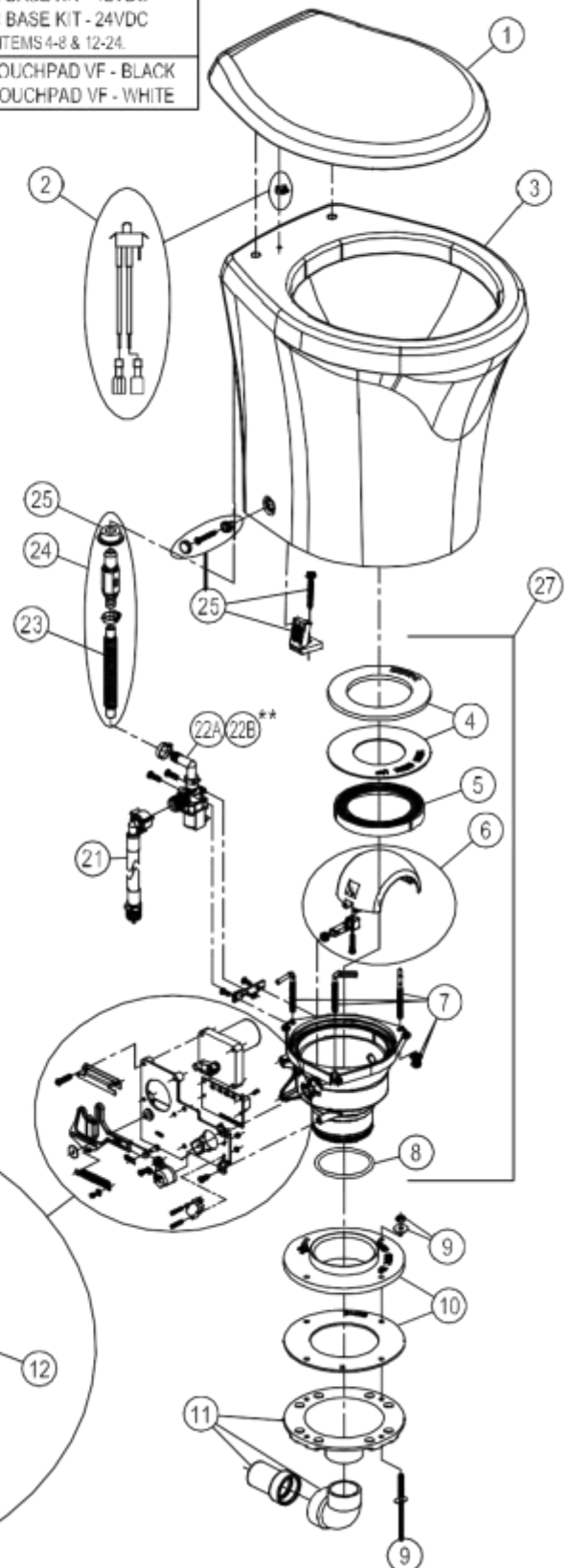


28

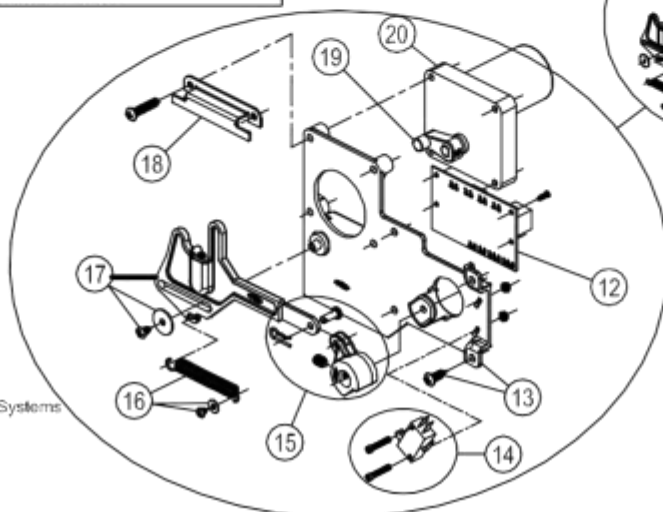


PARTS LIST: 4809 MODEL SERIES

ITEM	PART NUMBER & DESCRIPTION			
		26	385311463	BOWL MOUNTING HARDWARE KIT
1	385311618 SEAT/COVER SLOW-CLOSE - WHITE 385311619 SEAT/COVER SLOW-CLOSE - BONE	27	385311397 '09 PLUG-IN BASE KIT - 12VDC 385311398 '09 PLUG-IN BASE KIT - 24VDC **INCLUDES ITEMS 4-8 & 12-24.	
2	385311691 SERVICE SWITCH REPLACEMENT	28	313400021 DOMETIC TOUCHPAD VF - BLACK 313400022 DOMETIC TOUCHPAD VF - WHITE	
3	385311380 4800 TALL BOWL KIT - WHITE 385311381 4800 TALL BOWL KIT - BONE			
4	385311009 FLUSH BALL SEAL REPL KIT **INCLUDES ITEMS 7.			
5	385311292 BASE FLUSH BALL RING KIT			
6	385310969 FLUSH BALL/SHAFT REPL KIT			
7	385311011 BASE TO BOWL MOUNTING HARDWARE			
8	385311294 BASE O'RING REPL KIT			
9	385310064 FLOOR FLANGE MOUNTING HARDWARE			
10	385311013 FLOOR FLANGE ADAPTER KIT **INCLUDES ITEMS 9.			
11	385318864 VF FUNNEL KIT **INCLUDES ITEMS 9.			
12	385311690 CONTROL MODULE			
13	385311394 FLUSH MECHANISM w/MTG BRACKET **INCLUDES ITEMS 14, 15, 16, 17, 18.			
14	385311673 FLUSH ACTUATION SWITCH			
15	385311296 FLUSH BALL CAM REPL KIT			
16	385311393 FLUSH MECHANISM RETURN SPRING			
17	385311392 FLUSH MECHANISM LINKAGE			
18	385311429 FLUSH LINKAGE GUIDE BRACKET			
19	385311299 MOTOR DRIVE ARM REPL KIT			
20	385311300 MOTOR REPLACEMENT KIT - 12VDC 385311390 MOTOR REPLACEMENT KIT - 24VDC **INCLUDES ITEM 19.			
21	385311547 WATER SUPPLY HOSE			
22A	385311545 WATER VALVE KIT - 12VDC 385311546 WATER VALVE KIT - 24VDC			
22B**	385311709 RETROFIT WATER VALVE KIT - 12VDC 385311710 RETROFIT WATER VALVE KIT - 24VDC **INCLUDES MOUNTING BRACKET. **FOR 2009 & OLDER MODEL TOILETS.			
23	385311869 CORRUGATED SUPPLY HOSE			
24	385311384 CHECK VALVE w/HOSE **INCLUDES ITEM 23 & 25.			
25	385311164 1/2" SEALING GROMMET			



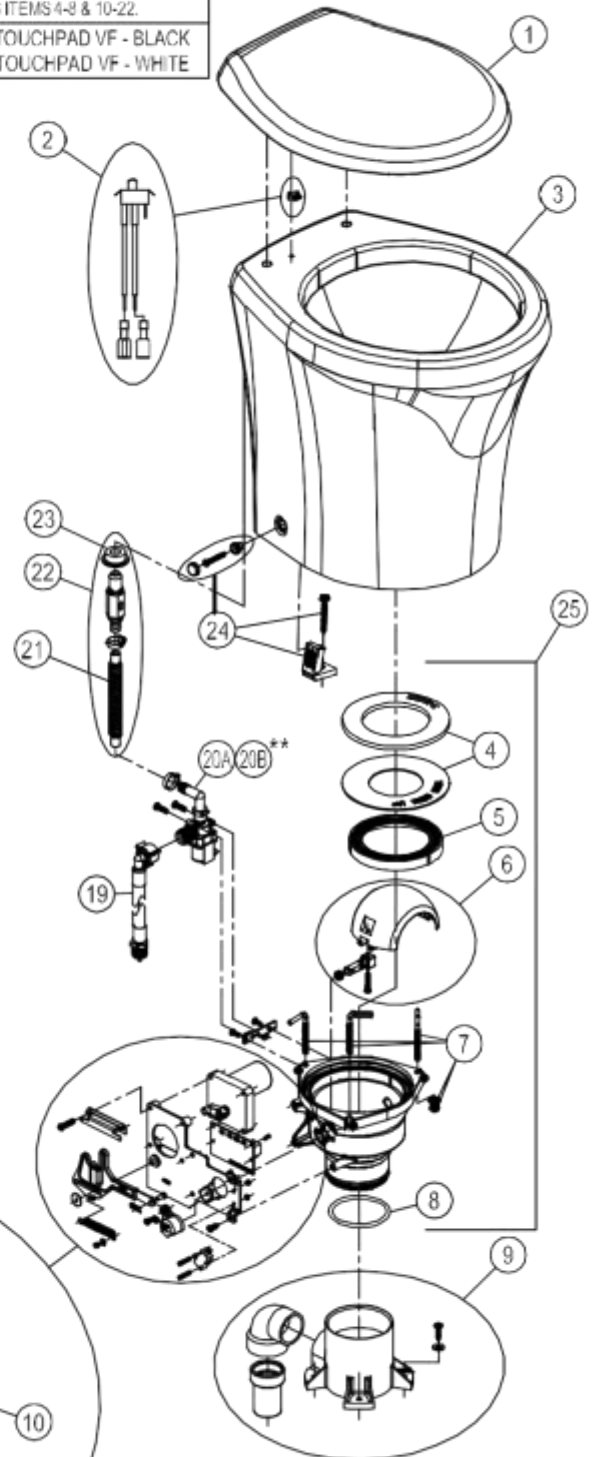
28



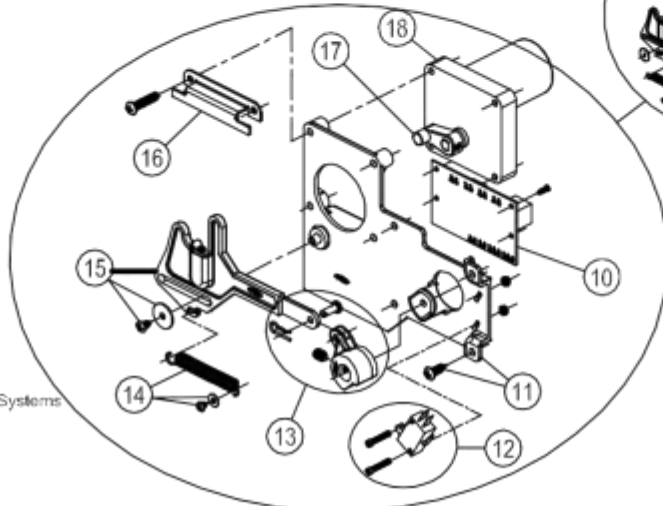
Dometic Corporation - Sanitation Systems
13128 State Rt. 226, P.O. Box 38
Big Prairie, OH 44611-0038 USA
Telephone: 330-496-3211
Fax: 330-496-3097
Email: sealand@dometicusa.com

PARTS LIST: 4848 MODEL SERIES

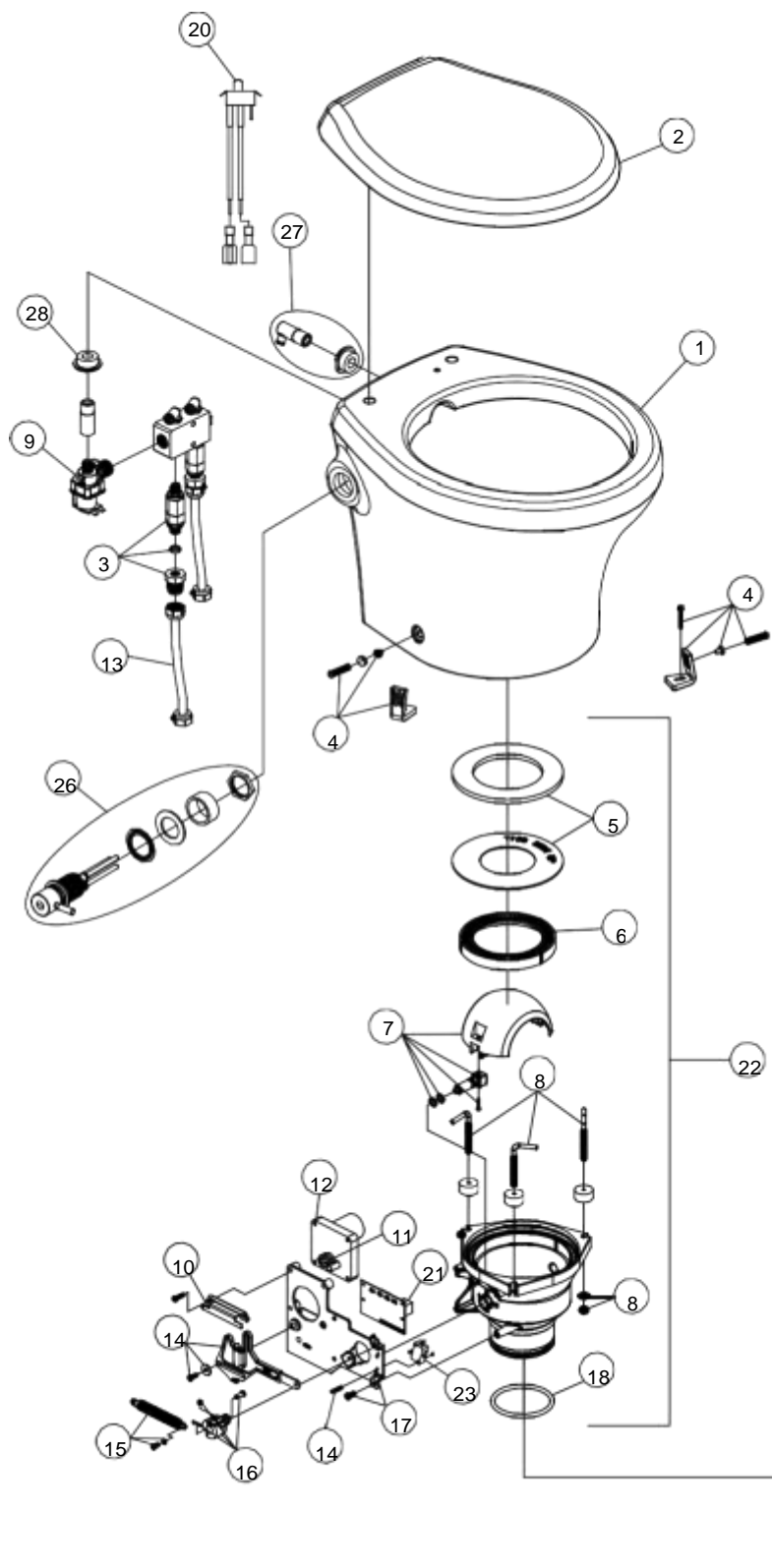
ITEM	PART NUMBER & DESCRIPTION			
1	385311618 SEAT/COVER SLOW-CLOSE - WHITE 385311619 SEAT/COVER SLOW-CLOSE - BONE	25	385311399 *48 PLUG-IN BASE KIT - 12VDC 385311400 *48 PLUG-IN BASE KIT - 24VDC **INCLUDES ITEMS 4-8 & 10-22.	
2	385311691 SERVICE SWITCH REPLACEMENT	27	313400021 DOMETIC TOUCHPAD VF - BLACK 313400022 DOMETIC TOUCHPAD VF - WHITE	
3	385311380 4800 TALL BOWL KIT - WHITE 385311381 4800 TALL BOWL KIT - BONE			
4	385311009 FLUSH BALL SEAL REPL. KIT **INCLUDES ITEMS 7.			
5	385311292 BASE FLUSH BALL RING KIT			
6	385310969 FLUSH BALL/SHAFT REPL. KIT			
7	385311011 BASE TO BOWL MOUNTING HARDWARE			
8	385311294 BASE O-RING REPL. KIT			
9	385311056 ABOVE FLOOR DISCHARGE ADAPT KIT			
10	385311690 CONTROL MODULE			
11	385311394 FLUSH MECHANISM w/MTG BRACKET **INCLUDES ITEMS 12, 13, 14, 15, 16.			
12	385311673 FLUSH ACTUATION SWITCH			
13	385311296 FLUSH BALL CAM REPL. KIT			
14	385311393 FLUSH MECHANISM RETURN SPRING			
15	385311392 FLUSH MECHANISM LINKAGE			
16	385311429 FLUSH LINKAGE GUIDE BRACKET			
17	385311299 MOTOR DRIVE ARM REPL. KIT			
18	385311300 MOTOR REPLACEMENT KIT - 12VDC 385311390 MOTOR REPLACEMENT KIT - 24VDC **INCLUDES ITEM 17.			
19	385311547 WATER SUPPLY HOSE			
20A	385311545 WATER VALVE KIT - 12VDC 385311546 WATER VALVE KIT - 24VDC			
20B**	385311709 RETROFIT WATER VALVE KIT - 12VDC 385311710 RETROFIT WATER VALVE KIT - 24VDC **INCLUDES MOUNTING BRACKET. **FOR 2009 & OLDER MODEL TOILETS.			
21	385311869 CORRUGATED SUPPLY HOSE			
22	385311384 CHECK VALVE w/HOSE **INCLUDES ITEM 21 & 23.			
23	385311164 1/2" SEALING GROMMET			
24	385311463 BOWL MOUNTING HARDWARE KIT			



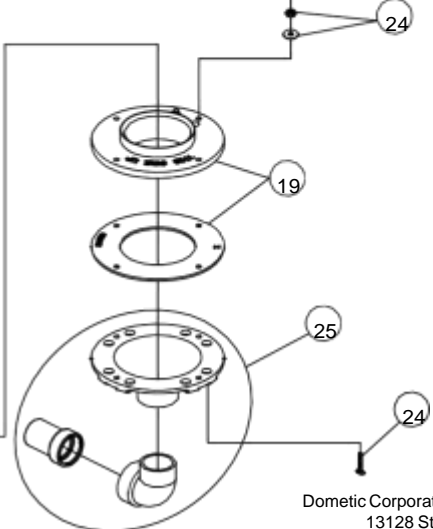
27



PARTS LIST: 4826 COMBO BIDET

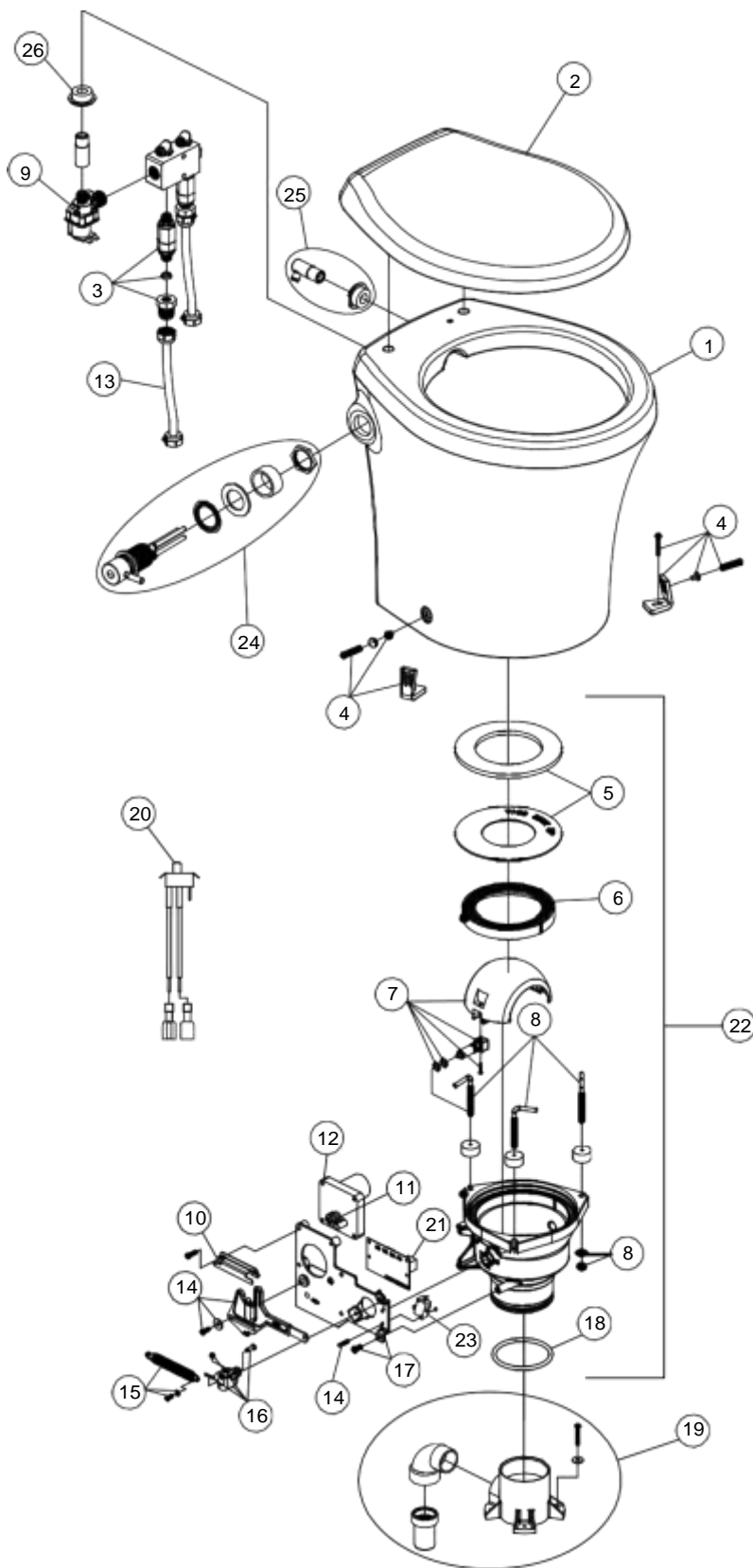


ITEM	PART NUMBER	DESCRIPTION
1	385311746	KIT, BOWL 4800 ST W/BIDET-WHT
	385311747	KIT, BOWL 4800 ST W/BIDET-BONE
2	385311618	KIT, SEAT/CVR SLOW-CLOSE/WHT
	385311383	KIT, SEAT-CVR 4800-BONE
3	385311727	KIT, BIDET CHECKVALVE
4	385311463	KIT, 4800 CHINA MTG
5	385311009	KIT, SEAL PLUG IN BASE
6	385311292	KIT, BASE RING INSERT
7	385310969	SHAFT/ HALF BALL KIT
8	385311011	L- BOLTS/NUTS /WASH/ PLUG IN BASE
9	385880074	KIT, WATERVALVE 12VDC-MFLUSH
	385880075	KIT, WATERVALVE 24VDC-MFLUSH
10	385311429	KIT, LINKAGE GUIDE BRACKET
11	385311299	KIT, MTR DRIVE ARM 4300/4400
12	385311300	KIT, MOTOR REPL 4800 (INC. ITEM 11) 12VDC
	385311390	KIT, MOTOR REPL 4800 (INC. ITEM 11) 24VDC
13	385311018	KIT, PLUG-IN SUPPLY HOSE
14	385311392	KIT, LINKAGE DRIVE 4800
15	3853111393	KIT, FLUSH SPRING 4800
16	385311296	KIT, ROTOR SHAFT CAM 4300/4400
17	385311394	KIT, MTG BRACKET 4800
18	385311294	KIT, O'RING PLUG-IN BASE
19	385311013	KIT, CON'TO FLOOR FLANGE ADPT
20	385311691	KIT, 4800 MODE SWITCH
21	385311690	KIT, CIRCUITBD MECHANICAL BASE
THE FOLLOWING BASE KITS CONTAIN ITEMS 5-8,10-12,14-18,21,23		
22	385311740	KIT, BASE 4826 W/BIDET COMP-12
	385311741	KIT, BASE 4826 W/BIDET COMP-24
23	385311003	KIT, CON'TO FLUSH SWITCH
24	385310064	KIT, MOUNT-TRAVELER-506/806
25	385318864	KIT, FUNNEL 506/806/706 (INC. 24)
26	385311721	KIT, BIDET FLUSH VALVE
27	385311722	KIT, BIDET NOZZLE
28	385311164	KIT, SEALING GROMMET 1/2"



Dometic Corporation - Sanitation Systems
13128 State Rt. 226, P.O. Box 38
Big Prairie, OH44611-0038 USA
Telephone: 330-496-3211
Fax: 330-496-3097
Email: sealand@dometicusa.com

PARTS LIST: 4828 COMBO BIDET

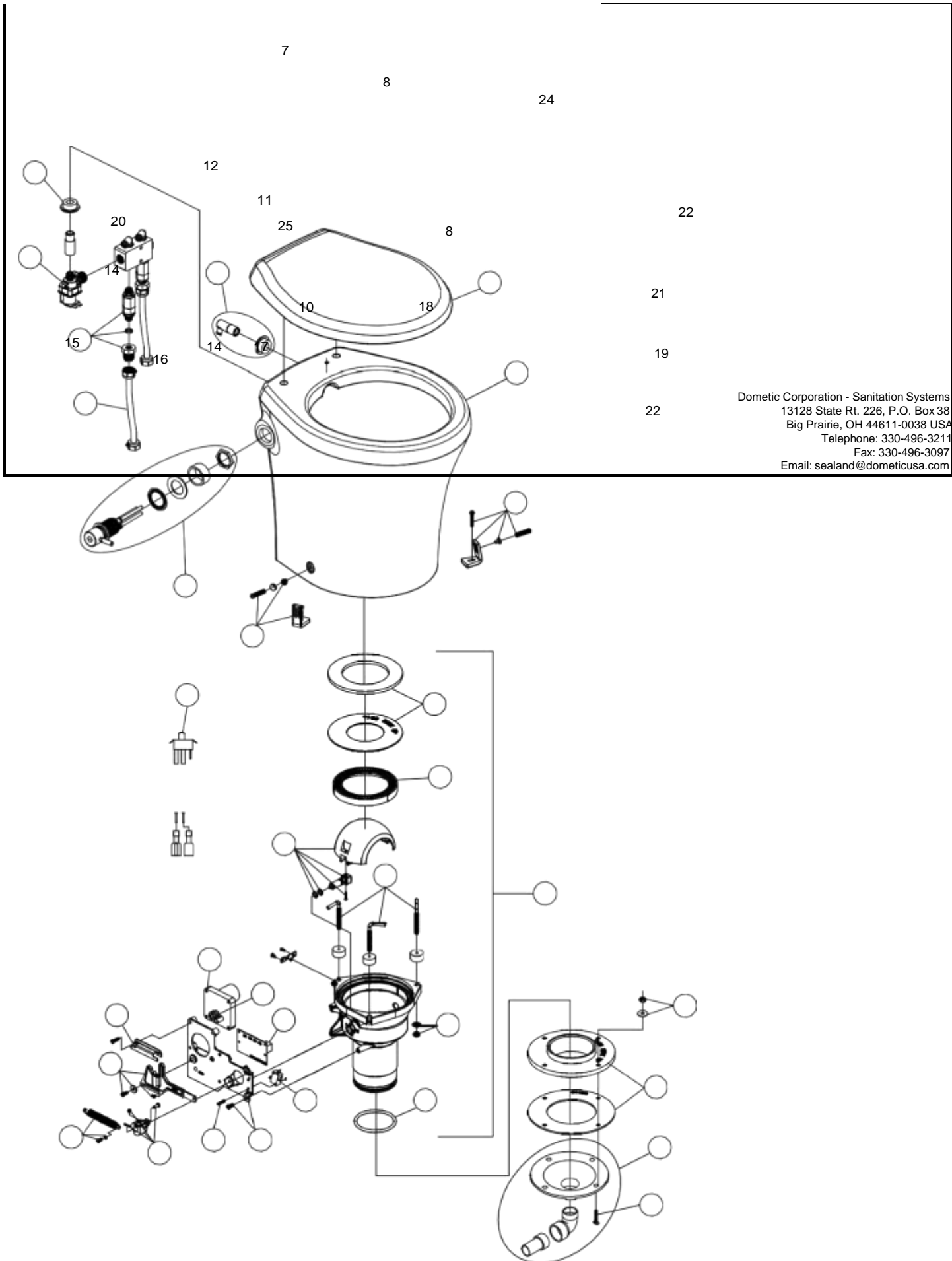


ITEM	PART NUMBER	DESCRIPTION
1	385311744	KIT, BOWL 4800 TL W/BIDET-WHT
	385311745	KIT, BOWL 4800 TL W/BIDET-BONE
2	385311618	KIT, SEAT/CVR SLOW-CLOSE/WHT
	385311383	KIT, SEAT-CVR 4800-BONE
3	385311727	KIT, BIDET CHECKVALVE
4	385311463	KIT, 4800 CHINA MTG
5	385311009	KIT, SEAL PLUG IN BASE
6	385311292	KIT, BASE RING INSERT
7	385310969	SHAFT/ HALF BALL KIT
8	385311011	L- BOLTS/NUTS /WASH/ PLUG IN BASE
9	385880074	KIT, WATERVALVE 12VDC-M'FLUSH
	385880075	KIT, WATERVALVE 24VDC-M'FLUSH
10	385311429	KIT, LINKAGE GUIDE BRACKET
11	385311299	KIT, MTR DRIVE ARM 4300/4400
12	385311300	KIT, MOTOR REPL 4800 (INC.11) 12VDC
	385311390	KIT, MOTOR REPL 4800 (INC.11) 24VDC
13	385311018	KIT, PLUG-IN SUPPLY HOSE
14	385311392	KIT, LINKAGE DRIVE 4800
15	385311393	KIT, FLUSH SPRING 4800
16	385311296	KIT, ROTOR SHAFT CAM 4300/4400
17	385311394	KIT, MTG BRACKET 4800 (INC. 10,14-16, 23)
18	385311294	KIT, O'RING PLUG-IN BASE
19	385311056	KIT, PLUGIN BASE '48 ADAPTER
20	385311691	KIT, 4800 MODE SWITCH
21	385311690	KIT, CIRUITBD MECHANICAL BASE
THE FOLLOWING BASE KITS CONTAIN ITEMS 5-8,10-12,14-18,21,23		
22	385311742	KIT, BASE 4828 W/BIDET COMP-12
	385311743	KIT, BASE 4828 W/BIDET COMP-24
23	385311003	KIT, CON'TO FLUSH SWITCH
24	385311721	KIT, BIDET FLUSH VALVE
25	385311722	KIT, BIDET NOZZLE
26	385311164	KIT, SEALING GROMMET 1/2"

Dometic Corporation - Sanitation Systems
13128 State Rt. 226, P.O. Box 38
Big Prairie, OH44611-0038 USA
Telephone: 330-496-3211
Fax: 330-496-3097
Email: sealand@dometicusa.com

PARTS LIST: 4829 COMBO BIDET

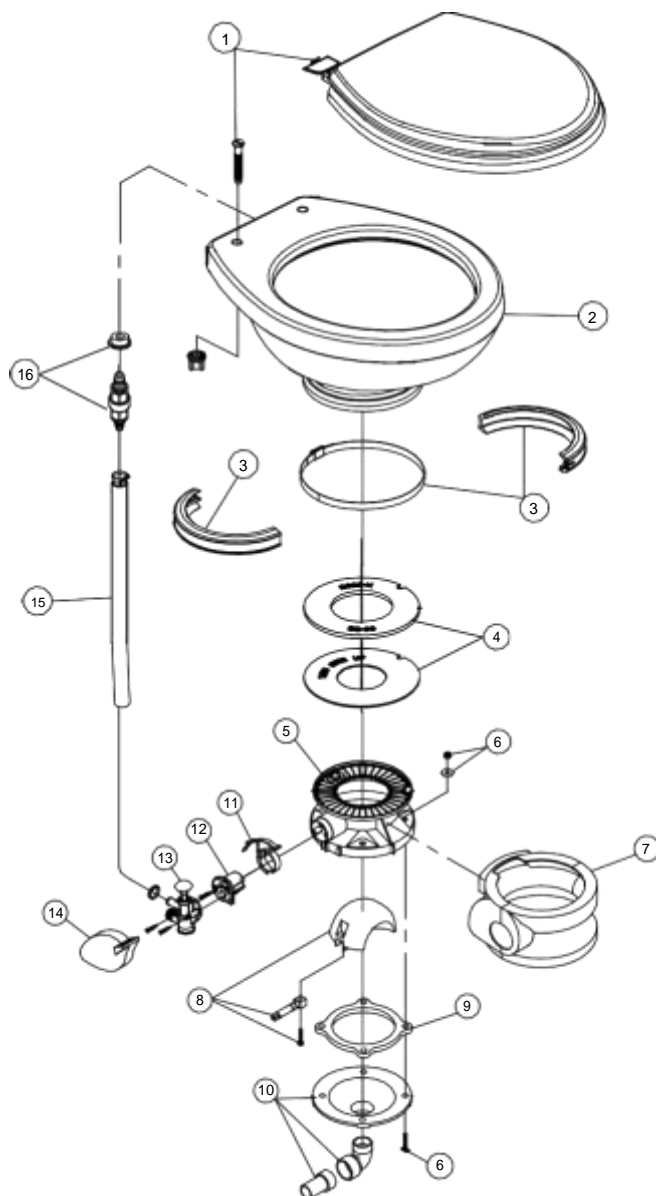
ITEM	PART NUMBER	DESCRIPTION
28	1 385311744	KIT, BOWL 4800 TL W/BIDET-WHT
	385311745	KIT, BOWL 4800 TL W/BIDET-BONE
9	2 385311618	KIT, SEAT/CVR SLOW-CLOSE/WHT
	385311383	KIT, SEAT-CV'R 4800-BONE
27	3 385311727	KIT, BIDET CHECKVALVE
	4 385311463	KIT, 4800 CHINA MTG
2	5 385311009	KIT, SEAL PLUG IN BASE
	6 385311292	KIT, BASE RING INSERT
3	7 385310969	KIT, MO HALFBL/SHAFT AY-WHT
	8 385311011	KIT, CONTO L-BOLT/NUTS/WSHR
13	9 385880074	KIT, WATERVALVE 12VDC-MFLUSH
	385880075	KIT, WATERVALVE 24VDC-MFLUSH
1	10 385311673	KIT, FLUSH ACUATION SWITCH
	11 385311299	KIT, MTR DRIVE ARM 4300/4400
4	12 385311300	KIT, MOTOR REPL 4800 (INC. 11) 12VDC
	385311390	KIT, MOTOR REPL 4800 (INC. 11) 24VDC
4	13 385311018	KIT, PLUG-IN SUPPLY HOSE
	14 385311392	KIT, LINKAGE DRIVE 4800
26	15 385311393	KIT, FLUSH SPRING 4800
	16 385311296	KIT, ROTOR SHAFT CAM 4300/4400
4	17 385311394	KIT, MTG BRACKET 4800 (INC.10,11,14-16,20)
	18 385311294	KIT, O'RING PLUG-IN BASE
23	19 385318864	KIT, FUNNEL 506/806/706 (INC. ITEM 22)
	20 385311429	KIT, LINKAGE GUIDE BRACKET
5	21 385311013	FLOOR FLANGE ADAPTER KIT (INC.22)
	22 385310064	KIT, MOUNT-TRAVELER-506/806
€	23 385311691	KIT, 4800 MODE SWITCH
	THE FOLLOWING BASE KITS CONTAIN ITEMS 5-8,10-12,14-18,20,25	
€	24 385311738	KIT, BASE 4829 W/BIDET COMP-12
	385311739	KIT, BASE 4829 W/BIDET COMP-24
€	25 385311690	KIT, CIRUITBD MECHANICAL BASE



Dometic Corporation - Sanitation Systems
 13128 State Rt. 226, P.O. Box 38
 Big Prairie, OH 44611-0038 USA
 Telephone: 330-496-3211
 Fax: 330-496-3097
 Email: sealand@dometicusa.com

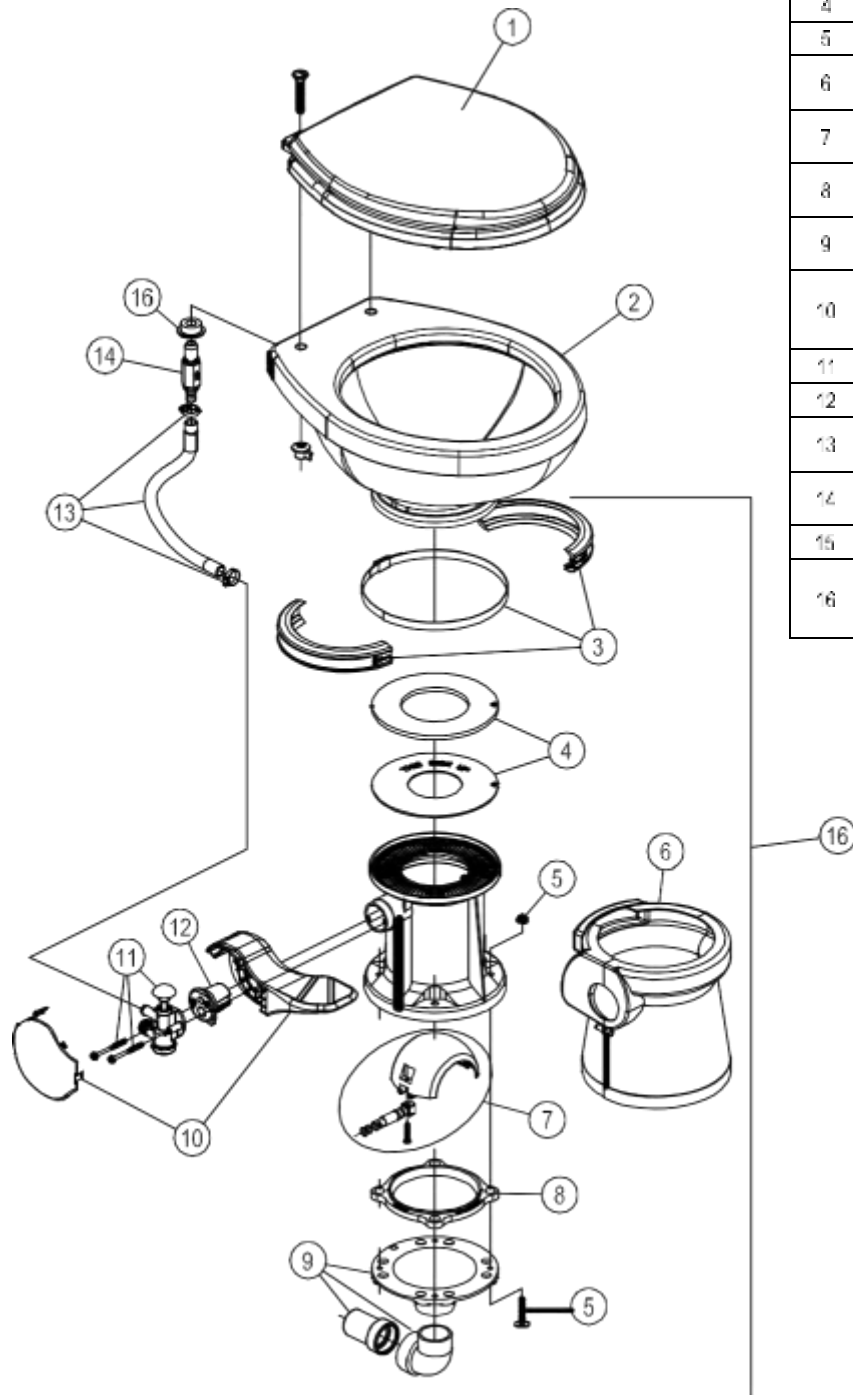
PARTS LIST: VACUFLUSH 5006

ITEM	PART NO.	DESCRIPTION	ITEM	PART NO.	DESCRIPTION
1	385343829	SEAT & LID ASSEMBLY, WHITE	8	385318162	BALL/SHAFT/CARTRIDGE KIT (inc. item 12)
	385343831	SEAT & LID ASSEMBLY, BONE	9	385310063	FLOOR FLANGE SEAL KIT (inc.item 6)
2	385311079	CHINA BOWL, WHITE	10	385318864	FUNNEL KIT (inc.item 6 & 9)
	385311080	CHINA BOWL, BONE	11	385310579	FLUSH PEDAL KIT- (inc.item 12)
3	385310048	HALF CLAMP KIT, BONE	12	385236096	SPRING CARTRIDGE KIT
4	385311462	KIT, SEAL KIT-VACUFLUSH	13	385314349	WATER VALVE KIT
5	385310132	BASE KIT, WHITE (inc. items 3 -14)	14	385310117	PEDAL COVER, WHITE
	385310133	BASE KIT, BONE (inc. items 3 -14)		385310118	PEDAL COVER, BONE
6	385310064	MOUNTING KIT	15	385345377	SUPPLY HOSE, WHITE
7	385310108	PEDESTAL COVER KIT, WHITE		385340177	SUPPLY HOSE, BONE
	385310109	PEDESTAL COVER KIT, BONE	16	385311456	KIT, CHECK VALVE



Dometic Sealand
Dometic Corporation - Sanitation Systems
13128 State Rt. 226, P.O. Box 38
Big Prairie, OH 44611-0038 USA
Telephone: 330-496-3211
Fax: 330-496-3097
Email: sealand@dometicusa.com

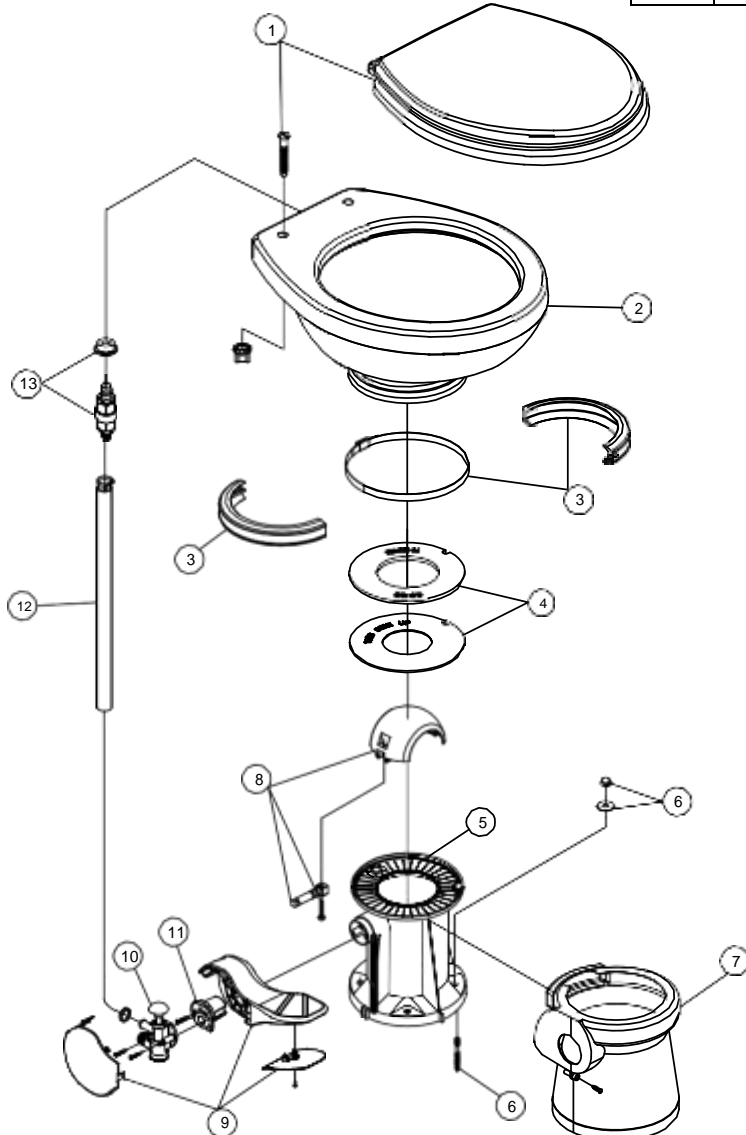
PARTS LIST: VACUFLUSH 5009 SERIES



ITEM	PART NUMBER & DESCRIPTION
1	385343829 SEAT/COVER - WHITE
	385343831 SEAT/COVER - BONE
2	385311079 CHINA BOWL KIT - WHITE
	385311080 CHINA BOWL KIT - BONE
3	385310048 BOWL/BASE CLAMP KIT
4	385311462 FLUSH BALL SEAL REPL. KIT
5	385310064 MOUNTING HARDWARE
6	385310111 PEDESTAL COVER - WHITE
	385310112 PEDESTAL COVER - BONE
7	385310954 FLUSH BALL, SHAFT, CARTRIDGE KIT **INCLUDES ITEM 12.
8	385310063 FLOOR FLANGE SEAL **INCLUDES ITEM 5
9	385318864 FUNNEL KIT ('06/'09 MODELS); **INCLUDES ITEM 5 & 8
10	385310682 PEDAL/CARTRIDGE KIT - WHITE
	385310762 PEDAL/CARTRIDGE KIT - BONE **INCLUDES ITEM 12
11	385314349 WATER VALVE KIT
12	385310683 SPRING CARTRIDGE KIT
13	385345377 BOWL WATER SUPPLY HOSE - WHITE
	385340177 BOWL WATER SUPPLY HOSE - BONE
14	385311456 CHECK VALVE KIT **INCLUDES ITEM 15
15	385311164 1/2" SEALING GROMMET
16	385311081 '09 BASE KIT PLASTIC PEDAL - WHITE
	385310978 '09 BASE KIT PLASTIC PEDAL - BONE **INCLUDES ITEMS 3-12

PARTS LIST: VACUFLUSH 5047-5048-5049

ITEM	PART NO.	DESCRIPTION	ITEM	PART NO.	DESCRIPTION
1	385343829	SEAT & LID ASSEMBLY, WHITE	7	385310674	5047 PEDESTAL COVER KIT, WHITE
	385343831	SEAT & LID ASSEMBLY, BONE		385310613	5047 PEDESTAL COVER KIT, BONE
2	385311079	CHINA BOWL, WHITE		385310136	5048 PEDESTAL COVER KIT, WHITE
	385311080	CHINA BOWL, BONE		385310137	5048 PEDESTAL COVER KIT, BONE
3	385310048	HALF CLAMP KIT, BONE		385310904	5049 PEDESTAL COVER KIT, WHITE
4	385311462	KIT, SEAL KIT-VACUFLUSH		385310913	5049 PEDESTAL COVER KIT, BONE
5	385311084	5047 BASE KIT, WHITE (INC. 3-11)		8	385310954
	385311085	5047 BASE KIT, BONE (INC. 3-11)	9	385310682	FLUSH PEDAL KIT-WHITE (INC. 11)
	385310910	5048 BASE KIT, WHITE (INC. 3-11)		385310762	FLUSH PEDAL KIT-BONE (INC. 11)
	385311086	5048 BASE KIT, BONE (INC. 3-11)	10	385314349	WATER VALVE KIT
	385310903	5049 BASE KIT, WHITE (INC. 3-11)	11	385310683	SPRING CARTRIDGE KIT
6	385316323	MOUNTING KIT	12	385345377	SUPPLY HOSE, WHITE
				385340177	SUPPLY HOSE, BONE
			13	385311456	INLINE CHECK VALVE, KIT

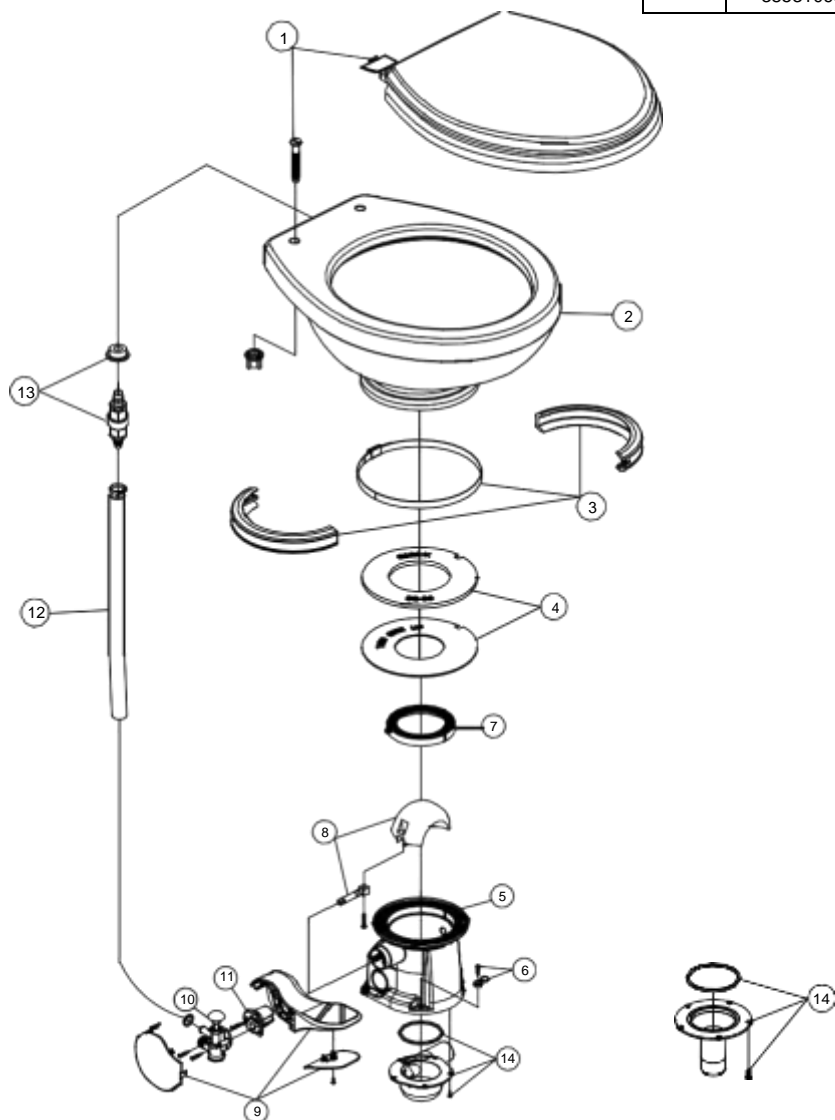


TOILET MODEL	DISCHARGE LOCATION
5047	OPPOSITE PEDAL
5048	REAR OF TOILET
5049	UNDER PEDAL

Dometic *Signature*
Dometic Corporation - Sanitation Systems
13128 State Rt. 226, P.O. Box 38
Big Prairie, OH 44611-0038 USA
Telephone: 330-496-3211
Fax: 330-496-3097
Email: sealand@dometicusa.com

PARTS LIST: VACUFLUSH 5146 - 5147- 5148 - 5149

ITEM	PART NO.	DESCRIPTION	ITEM	PART NO.	DESCRIPTION
1	385343829	SEAT & LID ASSEMBLY, WHITE	6	385310679	KIT, MOUNTING-ECOVAC - WHITE
	385343831	SEAT & LID ASSEMBLY, BONE		385310785	KIT, MOUNTING-ECOVAC - BONE
2	385311079	CHINA BOWL, WHITE	7	385311292	KIT, BASE RING INSERT
	385311080	CHINA BOWL, BONE	8	385310954	KIT, BALL/BRASS SHAFT/P CART (INC. 11)
3	385310048	HALF CLAMP KIT, BONE	9	385310682	FLUSH PEDAL KIT-WHITE (INC. 11)
	385310025	HALF CLAMP KIT, WHITE		385310762	FLUSH PEDAL KIT-BONE (INC. 11)
4	385311462	KIT, SEAL KIT-VACUFLUSH	10	385314349	WATER VALVE KIT
5	385310685	KIT, ECOVAC RH DISC BASE-W (INC. 3-11 & 14)	11	385310683	SPRING CARTRIDGE KIT
	385310783	KIT, EVAC RH DISH BASE/B (INC. 3-11 & 14)	12	385345377	SUPPLY HOSE, WHITE
	385310686	KIT, EVAC REAR DISC BASE-W (INC. 3-11 & 14)		385340177	SUPPLY HOSE, BONE
	385310784	KIT, ECO RER DISH BASE/BON (INC. 3-11 & 14)	13	385311456	INLINE CHECK VALVE, KIT
	385310975	KIT, BASE LH WHITE-ECOVAC (INC. 3-11 & 14)	14	385311713	KIT, DISCHARGE 146-ECOVAC
385310976	KIT, BASE LH BONE-ECOVAC (INC. 3-11 & 14)	385310680		DISCHARGE CUP 47 - 48, KIT	
				385310936	DISCHARGE CUP 49, KIT

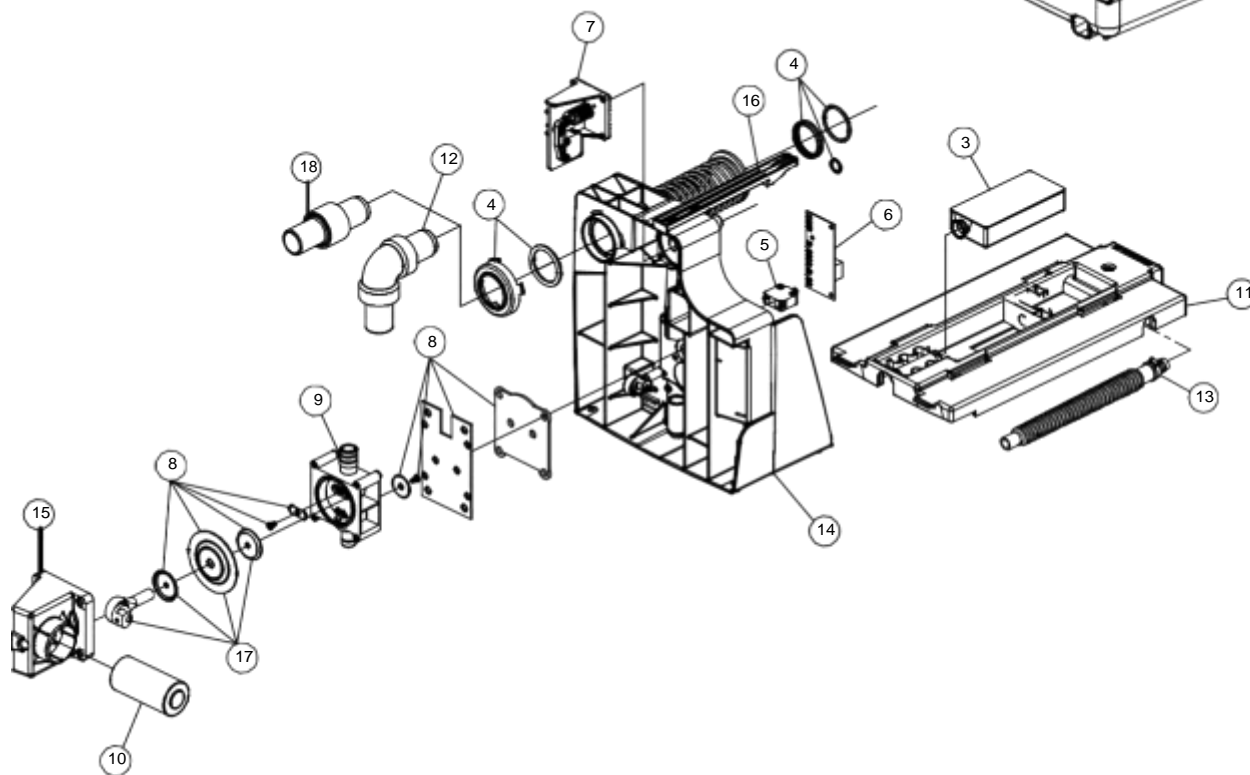
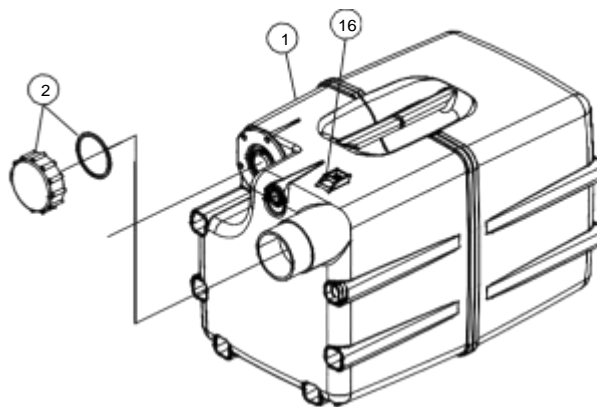


TOILET MODEL	DISCHARGE LOCATION
5146	THRU THE FLOOR
5147	OPPOSITE PEDAL
5148	REAR OF TOILET
5149	UNDER PEDAL

Dometic Sanitation Systems
Dometic Corporation - Sanitation Systems
13128 State Rt. 226, P.O. Box 38
Big Prairie, OH 44611-0038 USA
Telephone: 330-496-3211
Fax: 330-496-3097
Email: sealand@dometicusa.com

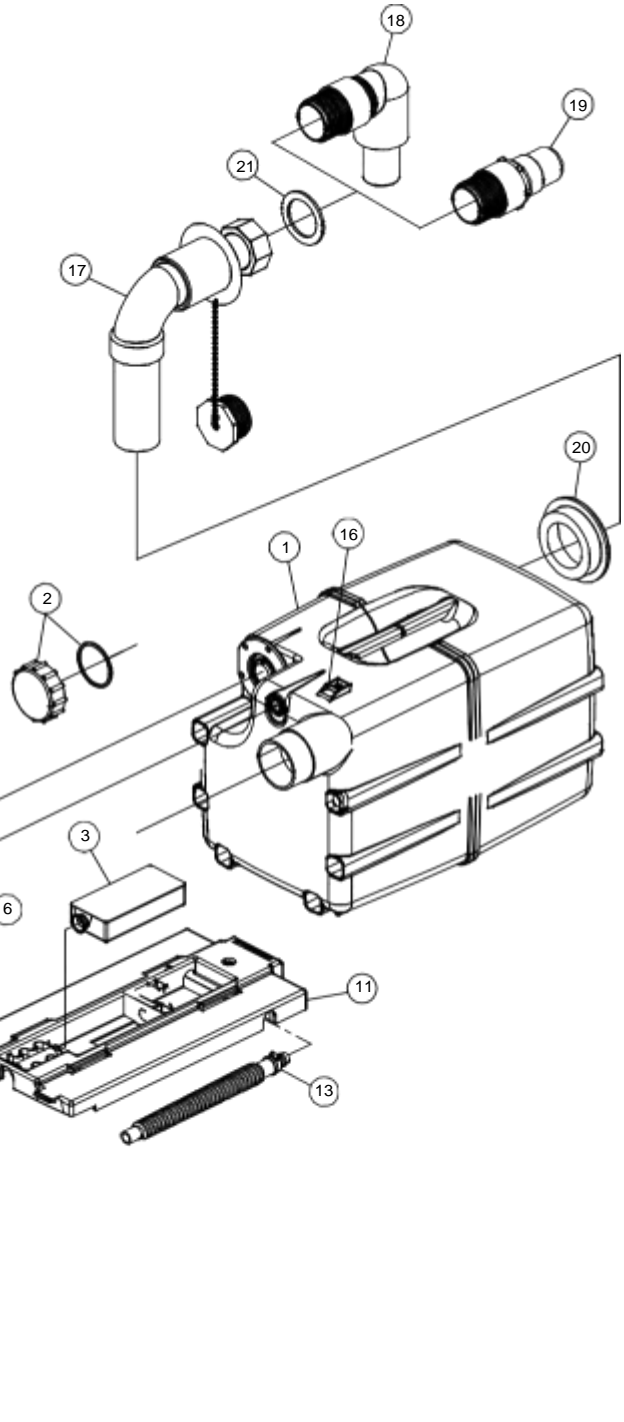
PARTS LIST: CVT MARINE 326002510

ITEM	PART NO.	DESCRIPTION
1	385311326	HOLDING TANK (INC. ITEM 2 & 16)
2	385311181	CAP AND SEAL
3	385311183	VENT FILTER
4	385311184	O'RING KIT
5	385311185	SNAP ACTION SWITCH
6	385311186	CIRCUIT BOARD
7	385311187	VACUUM SWITCH ASSY.
8	385311188	PUMP REBUILD KIT
9	385311189	COMPLETE AIR PUMP BODY (INC. ITEM 8)
10	385311190	MOTOR
11	385311191	BASE TRACK
12	385311192	INLET ELBOW
13	385311194	CORRUGATED HOSE KIT
14	385311198	COMP. DOCKING UNIT (INC. ITEMS 4 -10 & 15-16)
15	385311196	PUMP BODY COVER
16	385311199	TOP LATCH ASSEMBLY
17	385311442	KIT, VT4500 ECCENTRIC KIT
18	385311193	KIT, CVT INLET STRAIGHT



PARTS LIST: CVT MARINE 326002520 & 326002521

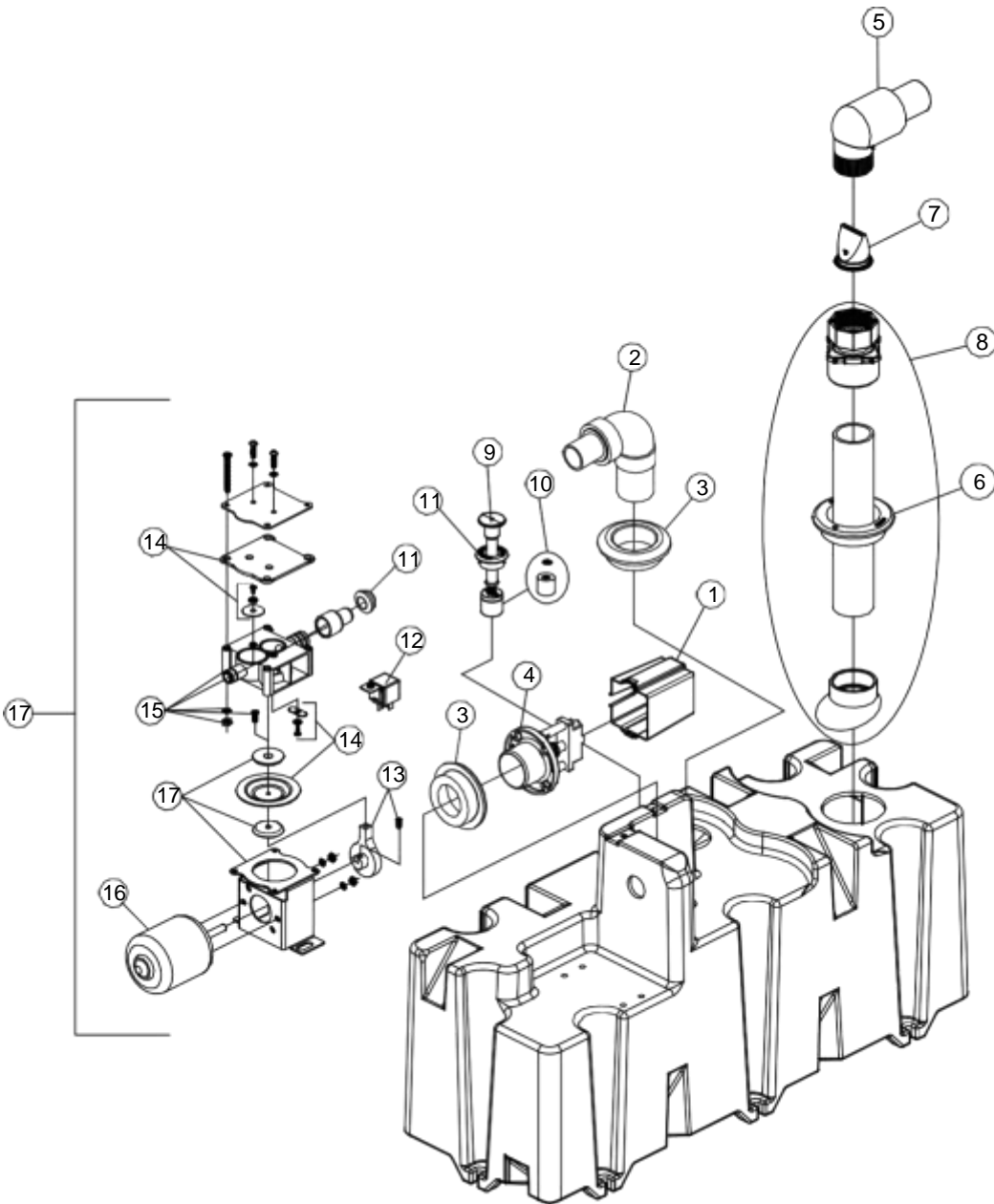
ITEM	PART NO.	DESCRIPTION
1	385311182	HOLDING TANK (INCLUDES ITEM 2 ,16,17,20,21)
2	385311181	CAP AND SEAL
3	385311183	VENT FILTER
4	385311184	O'RING KIT
5	385311185	SNAP ACTION SWITCH
6	385311186	CIRCUIT BOARD
7	385311187	VACUUM SWITCH ASSY.
8	385311188	PUMP REBUILD KIT
9	385311189	COMPLETE AIR PUMP BODY (INCLUDES ITEM 8)
10	385311190	MOTOR
11	385311191	BASE TRACK
12	385311192	INLET ELBOW
13	385311194	CORRUGATED HOSE KIT
14	385311198	COMP. DOCKING UNIT (INC. ITEMS 4 -10 & 15,16)
15	385311196	PUMP BODY COVER
16	385311199	TOP LATCH ASSEMBLY
17	385311243	KIT, DIPTUBE ASSY-CVT (INC. ITEM 21)
18	385311244	KIT, DISCHARGE ELBOW-CVT (INC. ITEM 21)
19	385311245	KIT, DISCHARGE STR'T FIT-CVT (INC. ITEM 21)
20	385311110	KIT, SEALING GROMMET 2"
21	385311233	KIT, SLIP SEAL 1-1/2" REPL
22	385311442	KIT, VT4500 ECCENTRIC KIT
23	385311193	KIT, CVT INLET STRAIGHT



Dometic *Sealand*
Dometic Corporation - Sanitation Systems
13128 State Rt. 226, P.O. Box38
Big Prairie, OH 44611-0038 USA
Telephone: 330-496-3211
Fax: 330-496-3097
Email: sealand@dometicusa.com

PARTS LIST: VACUUM HOLDING TANK MODEL - 317769012

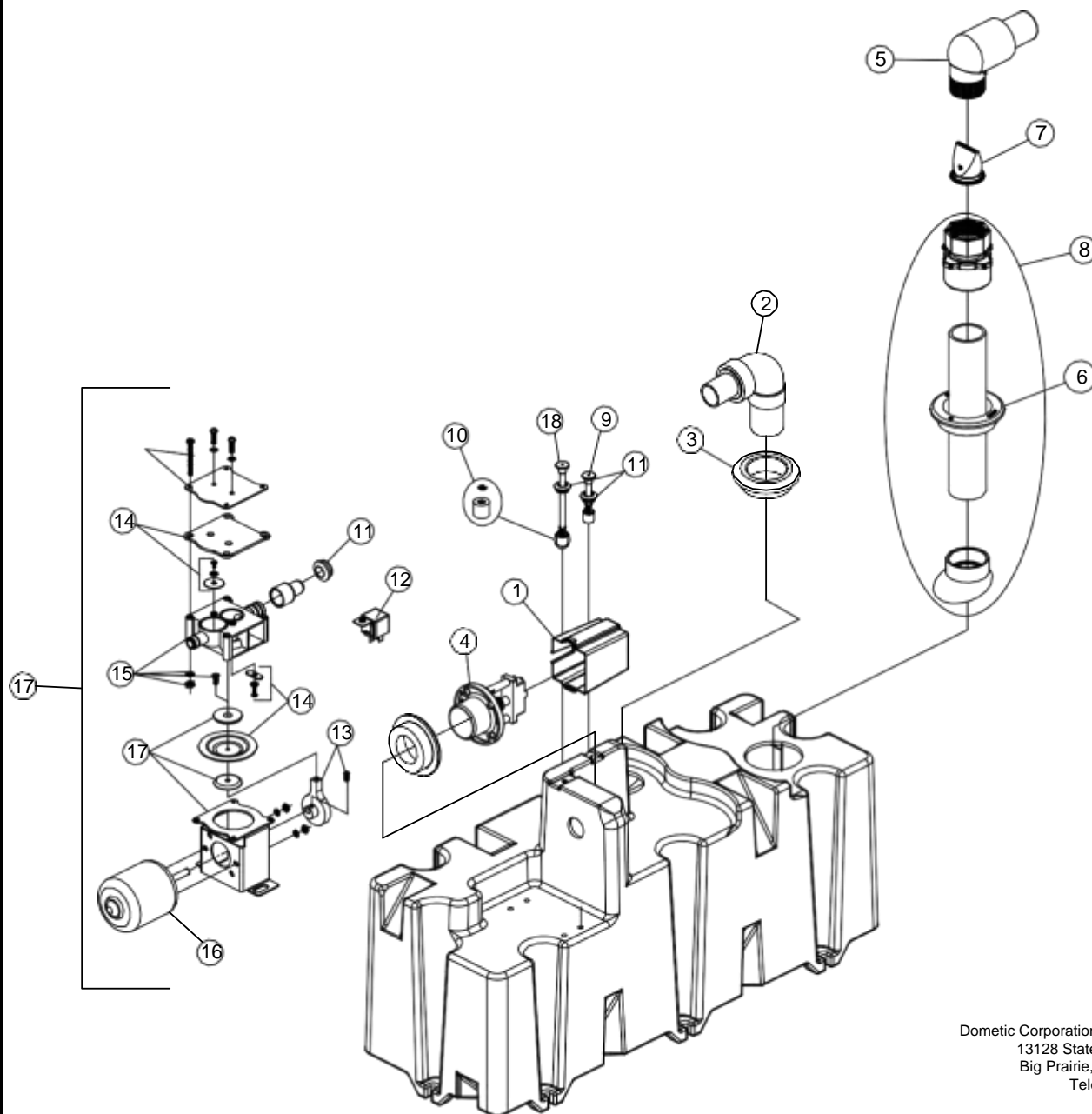
ITEM	PART NO.		ITEM	PART NO.	DESCRIPTION
1	385311420	KIT, SNAP-ON VAC SW'CH CVR-BLK	10	385311103	KIT, SWITCH FLOAT & LOCK RING
2	385310635	INLET ELBOW KIT (INCLUDES ITEM 3)	11	385311164	KIT, SEALING GROMMET 1/2"
3	385311111	1-1/2" SEALING GROMMET	12	385311774	KIT, RELAY SPDT 12V VF4
4	385311436	KIT, VACUUM SWITCH (INC 3)	13	385310631	KIT, CONNECTING ROD-AIR PUMP
5	385311069	KIT, THR'D ELBOW W/HOSE ADAPT	14	385311040	KIT, VHT AP VALVE REP'L
6	385311110	KIT, 2" SEALING GROMMET	15	385311440	KIT, VT4500 AIRPUMP ASSY (INC. 14)
7	385310076	KIT, DUCKBILL VALVE	16	385310664	KIT, MOTOR-VHT
8	385311421	KIT, DIPTUBE W/SWIVEL NUT (INC 6)	17	385310642	KIT, VHT AIR PUMP-COMP (INC 13,14,15,16)
9	385310629	KIT, FULL INDICATOR-VHT (INC 11)			



Dometic Corporation - Sanitation Systems
 13128 State Rt. 226, P.O. Box 38
 Big Prairie, OH 44611-0038 USA
 Telephone: 330-496-3211
 Fax: 330-496-3097
 Email: sealand@dometicusa.com

PARTS LIST: VACUUM HOLDING TANK MODEL - 317769212

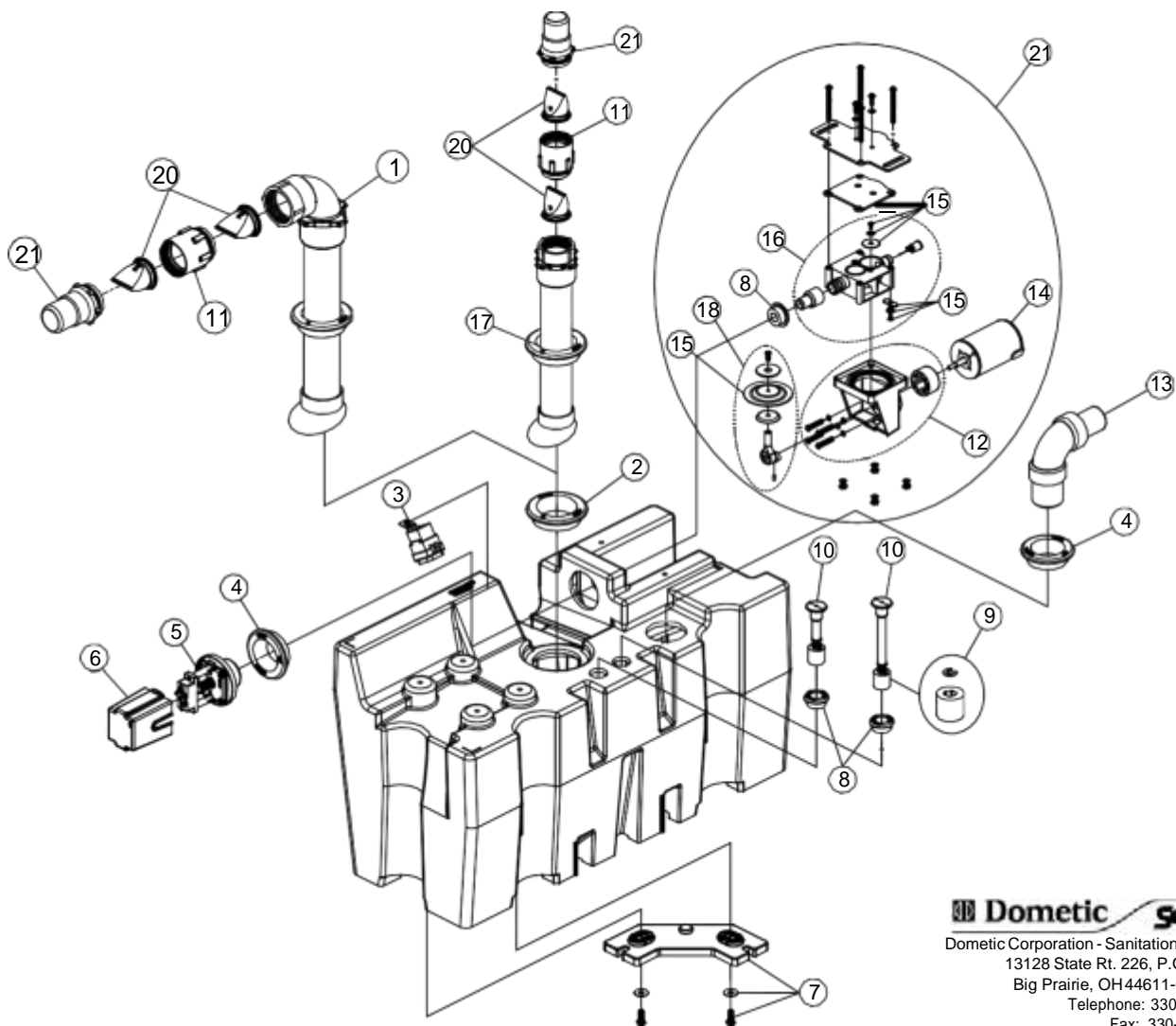
ITEM	PART NO.	DESCRIPTION	ITEM	PART NO.	DESCRIPTION
1	385311420	KIT, SNAP-ON VAC SW'CH CVR-BLK	10	385311103	KIT, SWITCH FLOAT & LOCK RING
2	385310635	KIT, INLET ELBOW-UNISEAL (INC 3)	11	385311164	KIT, SEALING GROMMET 1/2"
3	385311111	KIT, SEALING GROMMET 1-1/2"	12	385311774	KIT, RELAY SPDT 12V VF4
4	385311436	KIT, VACUUM SWITCH (INC 3)	13	385310631	KIT, CONNECTING ROD-AIR PUMP
5	385311069	KIT, THR'D ELBOW W/HOSE ADAPT	14	385311040	KIT, VHT AP VALVE REP'L
6	385311110	KIT, SEALING GROMMET 2"	15	385311440	KIT, VT4500 AIRPUMP ASSY (INC 14)
7	385310076	KIT, DB VALVE 1-1/2"-BLACK (2)	16	385310664	KIT, MOTOR-VHT
8	385311421	KIT, DIPTUBE W/SWIVEL NUT	17	385310642	KIT, VHT AIR PUMP-COMP (INC 13,14,15,16)
9	385310629	KIT, FULL INDICATOR-VHT (INC 11)	18	385310675	KIT, 3/4 LEVEL INDICATOR-VHT (INC 11)



Dometic Corporation - Sanitation Systems
13128 State Rt. 226, P.O. Box 38
Big Prairie, OH 44611-0038 USA
Telephone: 330-496-3211
Fax: 330-496-3097
Email: sealand@dometicusa.com

PARTS LIST: 317704501 VT4501-STRAIGHT DIS'G
317704502 VT4502-ELBOW DIS'G

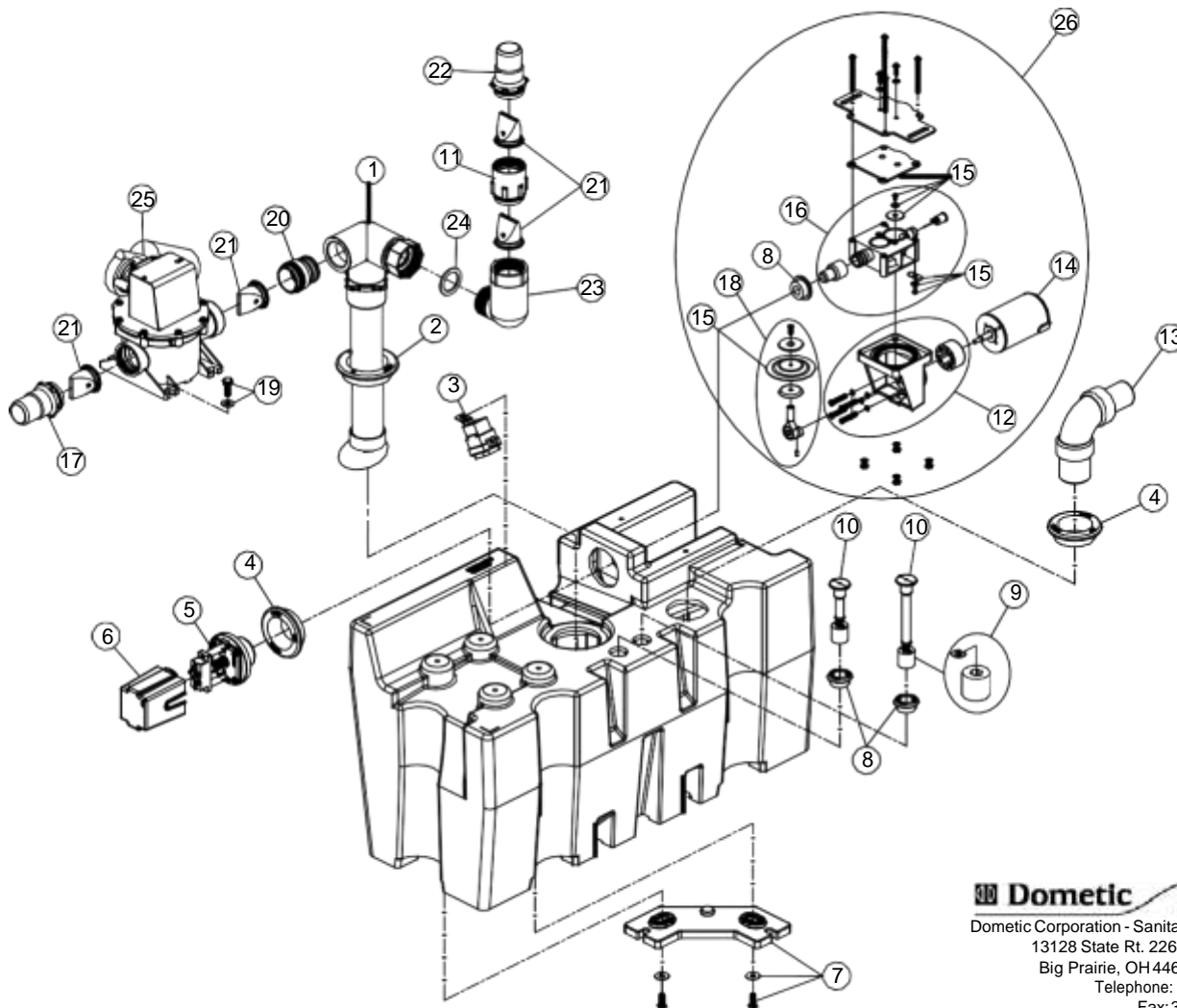
ITEM	PART NO.	DESCRIPTION	ITEM	PART NO.	DESCRIPTION
1	385311435	KIT, VT4500 DIPTUBE W/ELBOW	13	385310635	KIT, INLET ELBOW-UNISEAL (INCLUDES ITEM 4)
2	385311110	2" SEALING GROMMET	14	385311439	KIT, VT4500 MOTOR REPL
3	385310842	KIT, RELAY/BACKET-12VDC	15	385311040	VALVE REPLACEMENT KIT VT 4500 SERIES
4	385311111	1-1/2" SEALING GROMMET	16	385311440	KIT, VHT AP VALVE REPL-ELX (INC. 15)
5	385311436	KIT, VACUUM SWITCH (INCLUDES ITEM 4)	17	385311441	KIT, VT4500 DIPTUBE STRAIGHT (INCLUDES ITEM 2)
6	385311420	KIT, SNAP-ON VAC SW'CH CVR-BLK	18	385311442	KIT, VT4500 ECCENTRIC KIT
7	385311437	KIT, MOUNTING VT4500 SERIES (1 MTG. FOOT INC.)	19	385311315	KIT, NIPPLE-RH THREADS
8	385311164	1/2" SEALING GROMMET	20	385310076	KIT, DUCKBILL VALVE
9	385311103	KIT, SWITCH FLOAT & LOCK RING	21	385311450	KIT, AIRPUMP & MOT COMP'T (INC. ITEMS 8,12 & 14-16,18)
10	385311253	KIT, ADJ IND'V LEVEL IND'C-12" (INCLUDES ITEM 8)	N/S	385311443	KIT, 3/4-FULL PNL & HARNESS
11	385311316	KIT, VALVE ADAPTER-RH THREADS			
12	385311438	KIT, VT4500 MOTOR ASSY (INCLUDES ITEM 14,18)			



Dometic *Sealand*
Dometic Corporation - Sanitation Systems
13128 State Rt. 226, P.O. Box 38
Big Prairie, OH 44611-0038 USA
Telephone: 330-496-3211
Fax: 330-496-3097
Email: sealand@dometicusa.com

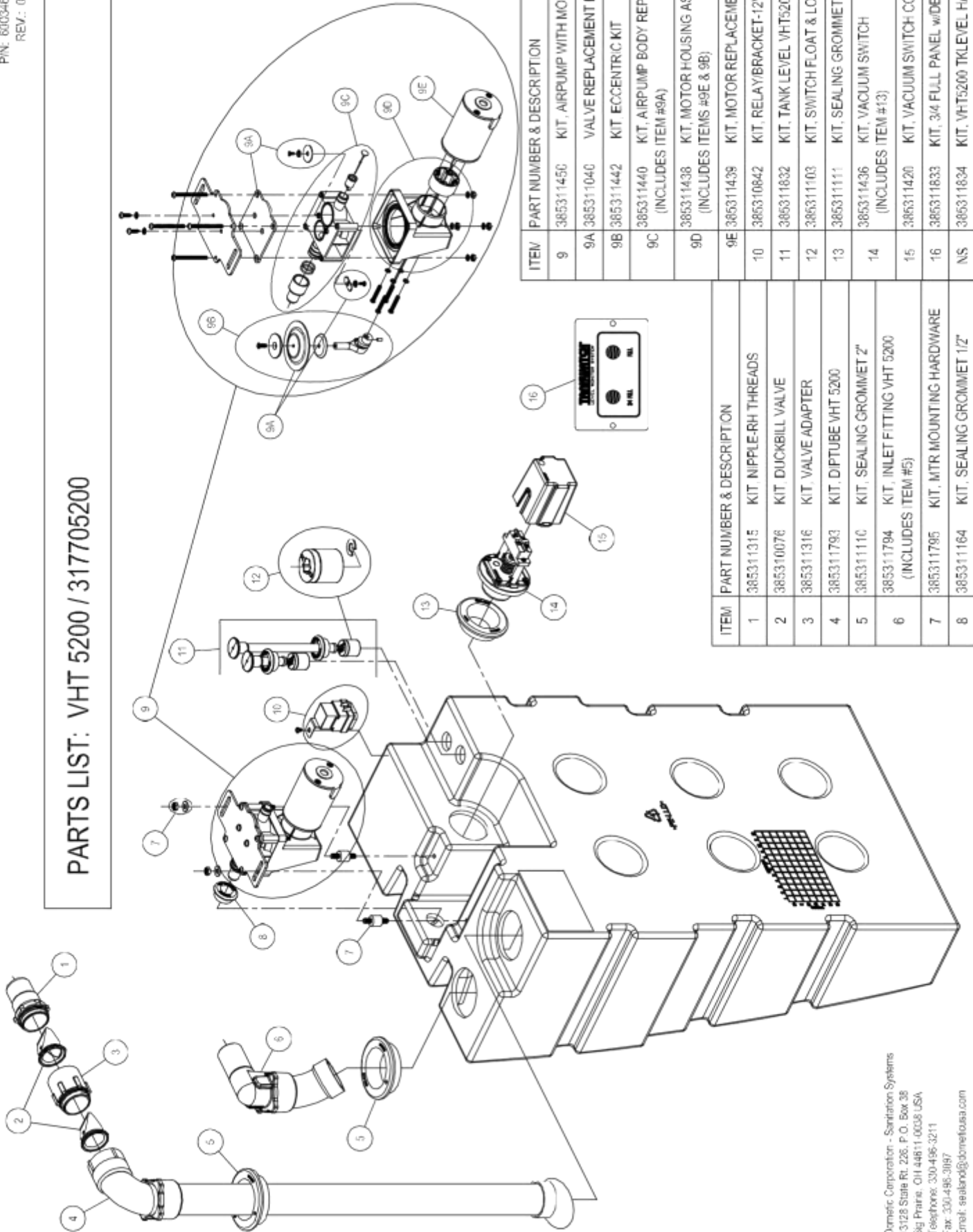
PARTS LIST: 317704511 VT4511-T12/SWIVEL DIS'G

ITEM	PART NO.	DESCRIPTION	ITEM	PART NO.	DESCRIPTION
1	385311444	KIT, VT4500 DIPTUBE 3W/SWIVEL (INC. ITEM 2)	17	600340669	NIPPLE, VALVE-T PUMP
2	385311110	2" SEALING GROMMET	18	385311442	KIT, DIAPHRAM AND ECCENTRIC 4500 SERIES
3	385310842	KIT, RELAY/BACKET-12VDC	19	385311163	KIT, MTG HARDWARE PUMP TO TANK
4	385311111	1-1/2" SEALING GROMMET	20	385311445	KIT, FITTING, PUMP ADPT-LH 1-1/2"
5	385311436	SB VACUUM SWITCH (INC. ITEM 4)	21	385310076	KIT, DUCKBILL VALVE
6	385311420	KIT, SNAP-ON VAC SWITCH COVER	22	385311315	KIT, NIPPLE-RH THREADS
7	385311437	KIT, MOUNTING VT4500 SERIES	23	385311455	KIT, VT4511 DISCHARGE ELBOW (INC. ITEM 24)
8	385311164	1/2" SEALING GROMMET	24	385311233	KIT, SLIP SEAL 1-1/2" REPL
9	385311103	KIT, SWITCH FLOAT & LOCK RING	25	N/A	SEE PUMP EXPLODED PARTS LIST
10	385311253	FULL LEVEL INDICATOR KIT 1ea. (INCLUDES ITEM 8)	26	385311450	4500 AIR PUMP COMP (INC. ITEMS 8,12 & 14-16,18)
11	385311316	KIT, VALVE ADAPTER-RH THREADS	N/S	385311443	KIT, 3/4-FULL PNL & HARNESS
12	385311438	KIT, MOTOR ASSEMBLY (INC. ITEMS 14,18)			
13	385310635	KIT, INLET ELBOW-UNISEAL (INC. ITEM 4)			
14	385311439	KIT, VT4500 MOTOR REPL			
15	385311040	VALVE REPLACEMENT KIT VT 4500 SERIES			
16	385311440	KIT, VHT AP VALVE REPL-ELX (INC. 15)			



Dometic *Sealand*
Dometic Corporation - Sanitation Systems
13128 State Rt. 226, P.O. Box 38
Big Prairie, OH 44611-0038 USA
Telephone: 330-496-3211
Fax: 330-496-3097
Email: sealand@dometicusa.com

PARTS LIST: VHT 5200 / 317705200



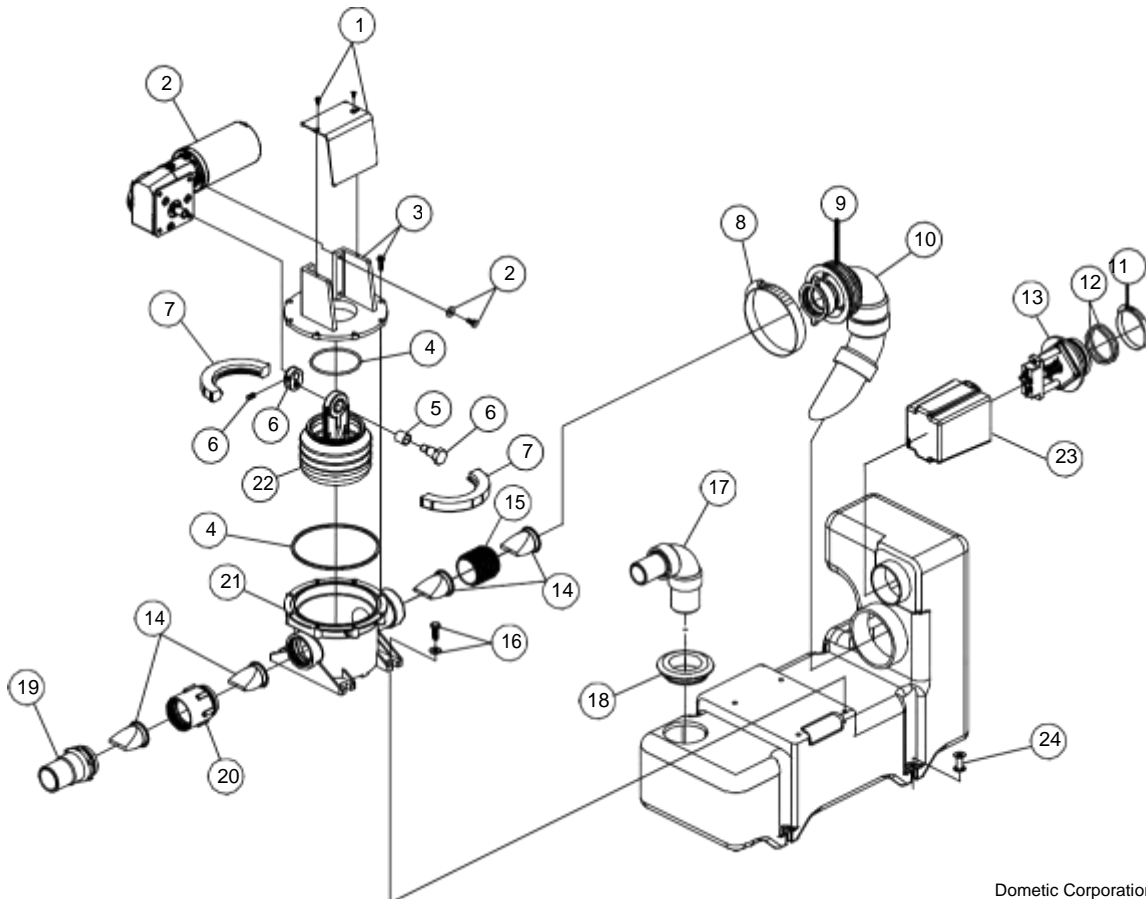
ITEM	PART NUMBER & DESCRIPTION
9	385311450 KIT, AIRPUMP WITH MOTOR
9A	385311040 VALVE REPLACEMENT KIT
9B	385311442 KIT ECCENTRIC KIT
9C	385311440 KIT, AIRPUMP BODY REPLACEMENT (INCLUDES ITEM #9A)
9D	385311438 KIT, MOTOR HOUSING ASSEMBLY (INCLUDES ITEMS #9E & 9B)
9E	385311439 KIT, MOTOR REPLACEMENT
10	385310842 KIT, RELAY/BRACKET-12VDC
11	385311832 KIT, TANK LEVEL VHT5200 w/DEUTSCH
12	385311103 KIT, SWITCH FLOAT & LOCK RING
13	385311111 KIT, SEALING GROMMET 1-1/2"
14	385311436 KIT, VACUUM SWITCH (INCLUDES ITEM #13)
15	385311420 KIT, VACUUM SWITCH COVER-BLK
16	385311833 KIT, 3/4 FULL PANEL w/DEUTSCH
NS	385311834 KIT, VHT5200 TKLEVEL HARN w/DT

ITEM	PART NUMBER & DESCRIPTION
1	385311315 KIT, NIPPLE-RH THREADS
2	385310076 KIT DUCKBILL VALVE
3	385311316 KIT, VALVE ADAPTER
4	385311793 KIT, DIPTUBE VHT 5200
5	385311110 KIT, SEALING GROMMET 2"
6	385311794 KIT, INLET FITTING VHT 5200 (INCLUDES ITEM #5)
7	385311795 KIT, MTR MOUNTING HARDWARE
8	385311164 KIT, SEALING GROMMET 1/2"

Dometic Corporation - Sanitation Systems
13128 State Rt. 226, P.O. Box 38
Big Prairie, OH 44611-0038 USA
Telephone: 330-495-3211
Fax: 330-495-3097
Email: saaland@dometicusa.com

PARTS LIST: VACUUM GENERATOR VG12 & VG24 SERIES

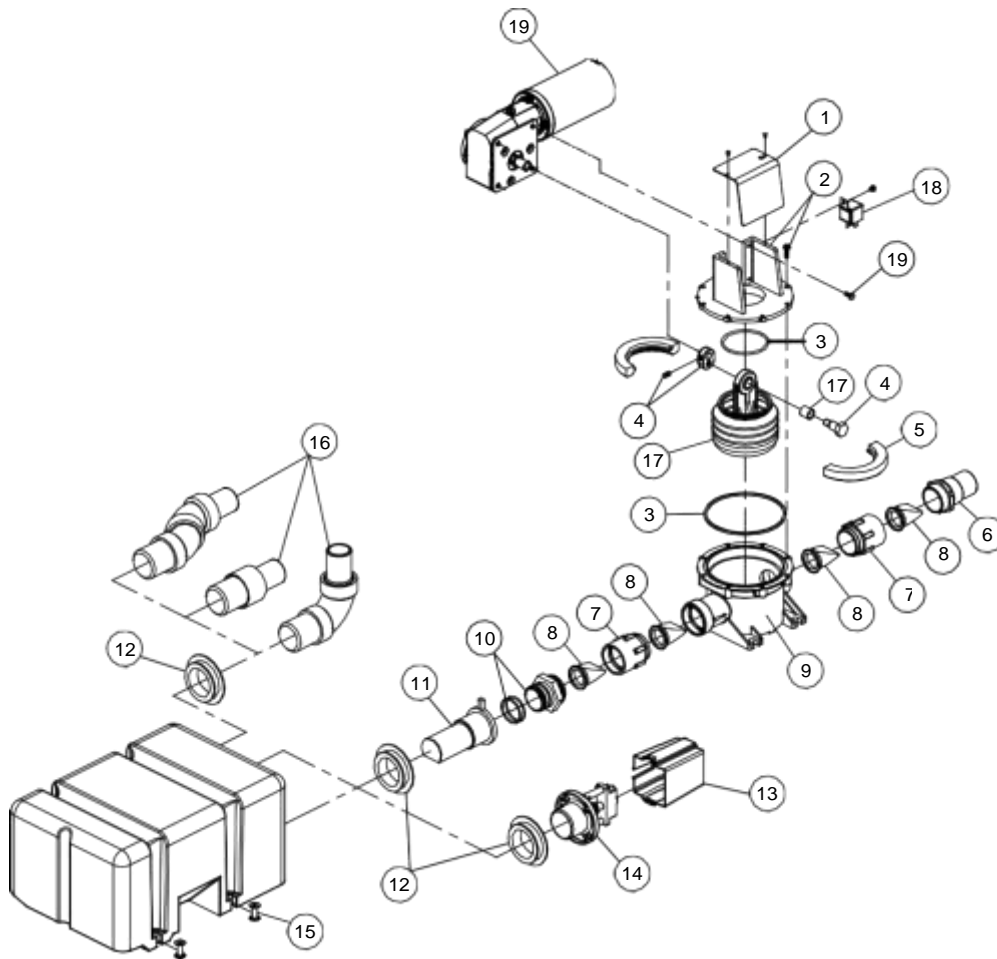
ITEM	PART NO.	DESCRIPTION	ITEM	PART NO.	DESCRIPTION
1	385311323	PUMP COVER KIT	14	385310076	DUCKBILL VALVE KIT (2 PCS. PER KIT)
2	385311065	12VDC Q- MOTOR KIT	15	388640366	1½" NPT CLOSE NIPPLE
	385311066	24VDC Q- MOTOR KIT	16	385311163	KIT, MTG HARDWARE PUMP TO TANK
3	385311324	PUMP TOP CLOSURE	17	385310895	INLET ELBOW KIT (includes item 18)
4	385310151	O'RING KIT	18	385311111	1½" SEALING GROMMET
5	385310242	BUSHING	19	385311315	VALVE NIPPLE
6	385310644	ECCENTRIC KIT	20	385311316	VALVE ADAPTER
7	385311226	BELLOWS CLAMP	21	600341504	PUMP BODY
8	600342783	3-3/4" DIAMETER WORM GEAR CLAMP	22	385230980	BELLOWS ASSEMBLY (includes item 5)
9	600342779	O'RING, 3"ID x 3-1/4"OD	23	385311215	VACUUM SWITCH COVER
10	385310539	DIPTUBE ASSEMBLY KIT (INCLUDES ITEM 9)	24	385311318	MOUNTING SPINDLE
11	600342782	2½" DIAMETER WORM GEAR CLAMP	N/S	385310774	KIT, VG PUMP ASSEMBLY 12VDC
12	600342778	O'RING, 2"ID x 2½"OD		385310775	KIT, VG PUMP ASSEMBLY 24VDC
13	385310540	VACUUM SWITCH KIT (INCLUDES ITEMS 11 & 12)			



Dometic Corporation - Sanitation Systems
13128 State Rt. 226, P.O. Box 38
Big Prairie, OH 44611-0038 USA
Telephone: 330-496-3211
Fax: 330-496-3097
Email: sealand@dometicusa.com

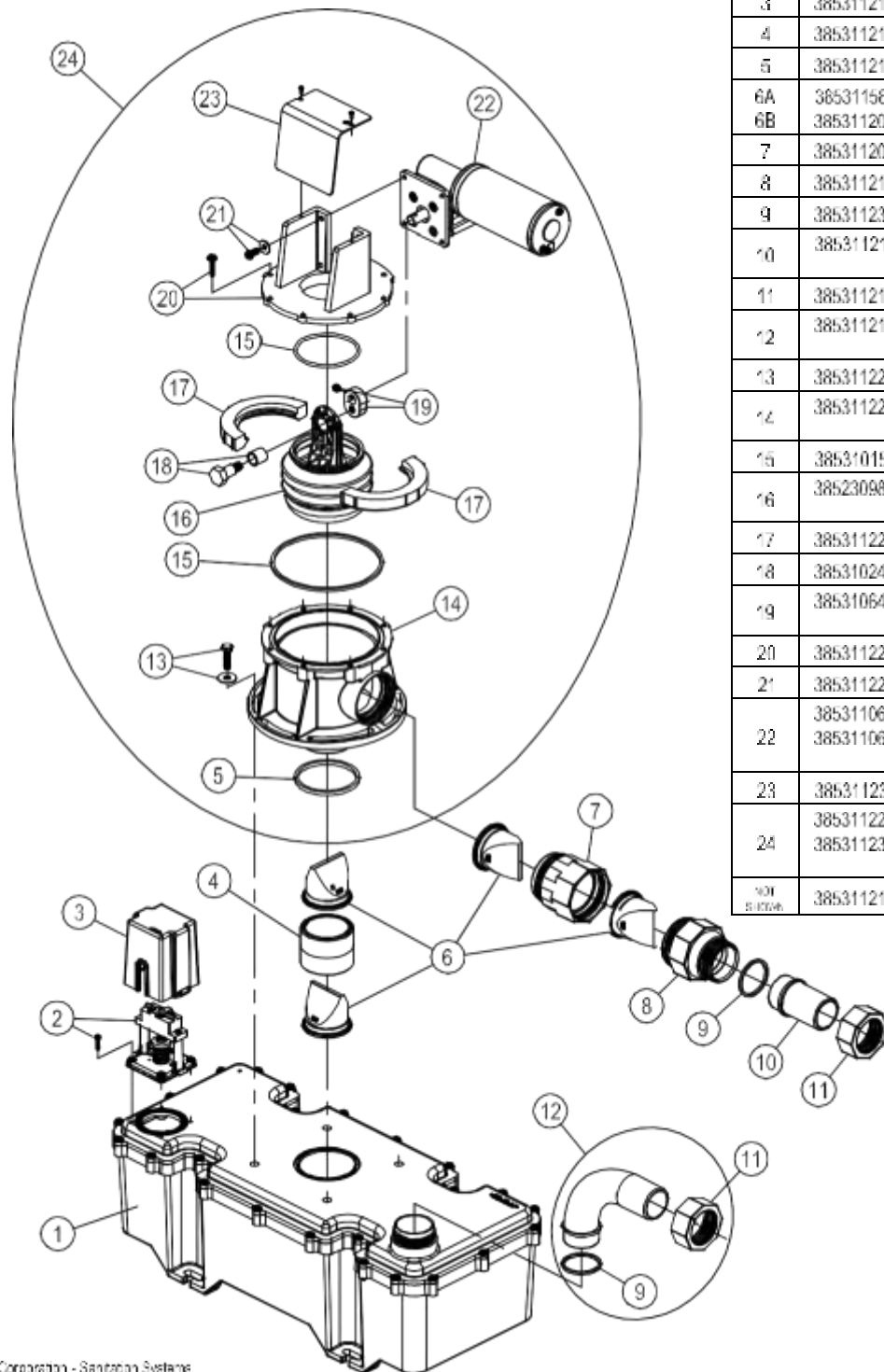
PARTS LIST: VACUUM GENERATOR LOW PROFILE 12VDC & 24VDC

ITEM	PART NO.	DESCRIPTION	ITEM	PART NO.	DESCRIPTION
1	385311323	COVER, PUMP	13	385311215	VACUUM SWITCH COVER LOW PROFILE VG
2	385311324	KIT, SPUMP TOP CLOSE W/SCREWS	14	385311436	KIT, VACUUM SWITCH (inc. item 12)
3	385310151	O-RING REPLACEMENT KIT	15	385311318	KIT, TANK MTG SPINDLE
4	385310644	KIT, ECCENTRIC/SCREW-S/T PUMP	16	385310635	INLET ELBOW ASSEMBLY
5	385311226	CLAMP, BELLOWS S/T PUMP		385310690	STRAIGHT INLET (optional)
6	385311315	KIT, NIPPLE-RH THREADS		385310787	45° INLET ELBOW (optional)
7	385311316	KIT, VALVE ADAPTER-RH THREADS	17	385230980	BELLOWS KIT (includes item 7)
8	385310076	KIT VALVE, CHECK DUCKBILL-S/T PUMP (2 EA)	18	600343053	RELAY, SPDT 12VDC ⁴⁰ / ₃₀ AMP VF4 (optional)
9	600341504	BODY,S-PUMP		600344239	RELAY, SPDT 24VDC ⁴⁰ / ₃₀ AMP VF4 (optional)
10	385311317	KIT, PUMP ADAPT TO DIPTUBE FIT	19	385311065	12VDC W MOTOR
11	385310754	KIT, DIP TUBE LOW PROFILE VG (INC. ITEM 12)		385311066	24VDC W MOTOR
12	385311111	1½" SEALING GROMMET	20	385310249	KIT, S PUMP W/O MOTOR
			N/S	385311100	KIT, LPVG SW-PUMP ASSY 24VDC
			N/S	385311595	KIT, LPVG-W-PUMP ASSY 12VDC



Dometic *Signature*
Dometic Corporation - Sanitation Systems
13128 State Rt. 226, P.O. Box 38
Big Prairie, OH 44611-0038 USA
Telephone: 330-496-3211
Fax: 330-496-3097
Email: sealand@dometicusa.com

PARTS LIST: VACUUM GENERATOR 4

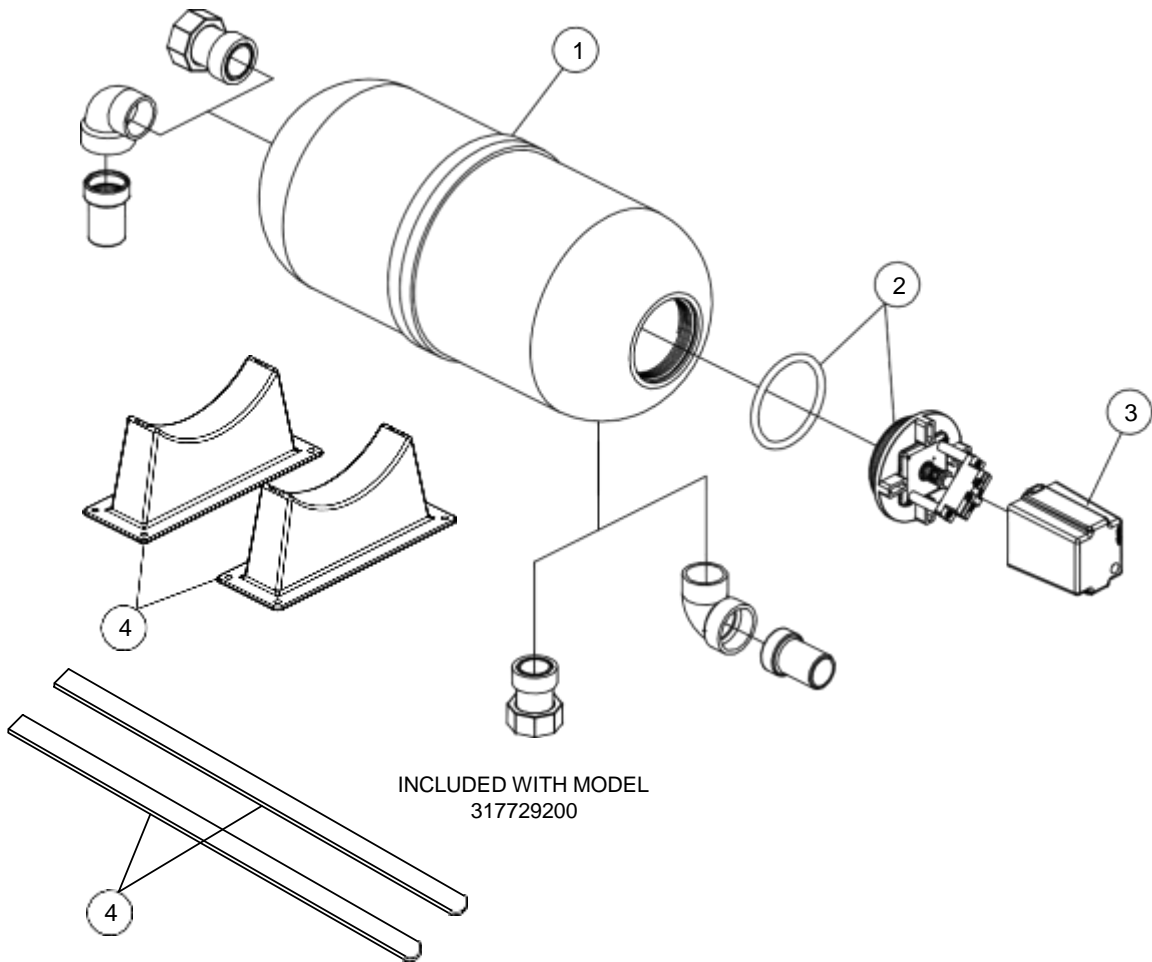


ITEM	PART NUMBER & DESCRIPTION
1	385311217 VG4 TANK ASSEMBLY KIT
2	385311216 VACUUM SWITCH ASSEMBLY **INCLUDES ITEM 3.
3	385311215 VACUUM SWITCH COVER
4	385311214 VG4 DISCHARGE VALVE SPACER
5	385311213 PUMP TO TANK SEAL
6A	385311581 2" CHECK VALVE REPLACEMENT (4 PER KIT)
6B	385311208 2" CHECK VALVE REPLACEMENT (2 PER KIT)
7	385311209 2" CHECK VALVE ADAPTER
8	385311210 TRANSITION FITTING 2" TO 1-1/2"
9	385311238 FITTING SEAL
10	385311211 1-1/2" VG4 STRAIGHT HOSE FITTING **INCLUDES ITEMS 8 & 11.
11	385311212 1-1/2" SWIVEL NUT
12	385311218 1-1/2" VG4 90° ELBOW HOSE FITTING **INCLUDES ITEMS 8 & 11.
13	385311220 PUMP MOUNTING HARDWARE
14	385311227 PUMP BODY REPLACEMENT KIT **INCLUDES ITEM 5.
15	385310151 PUMP O-RING REPLACEMENT KIT
16	385230980 PUMP BELLOWS ASSEMBLY KIT **INCLUDES ITEM 18
17	385311226 PUMP BELLOWS CLAMP KIT
18	385310242 PUMP BELLOWS BUSHING/BOLT KIT
19	385310644 PUMP ECCENTRIC KIT **INCLUDES ITEMS 16.
20	385311225 PUMP TOP CLOSURE REPLACEMENT
21	385311224 PUMP MOTOR MOUNTING HARDWARE
22	385311065 W-SERIES MOTOR REPLACEMENT-12V 385311066 W-SERIES MOTOR REPLACEMENT-24V **INCLUDES ITEMS 18 & 19.
23	385311231 PUMP COVER REPLACEMENT KIT
24	385311229 J-SERIES PUMP REPLACEMENT - 12V 385311230 J-SERIES PUMP REPLACEMENT - 24V **INCLUDES ITEMS 5-8 & 13-23.
NOT SHOWN	385311219 TANK SEAL

PARTS LIST: MODEL 317729100 & 317729200

ITEM	PART NO.	DESCRIPTION
1	385310017	KIT, VACUUM TANK-REPLACEMENT
2	385318032	KIT, VACUUM TANK SWITCH
3	385311215	KIT, SNAP-ON VAC SW'CH CVR-WHT
4	385311659	KIT, VAC TK MTG BRKT (1 EACH)

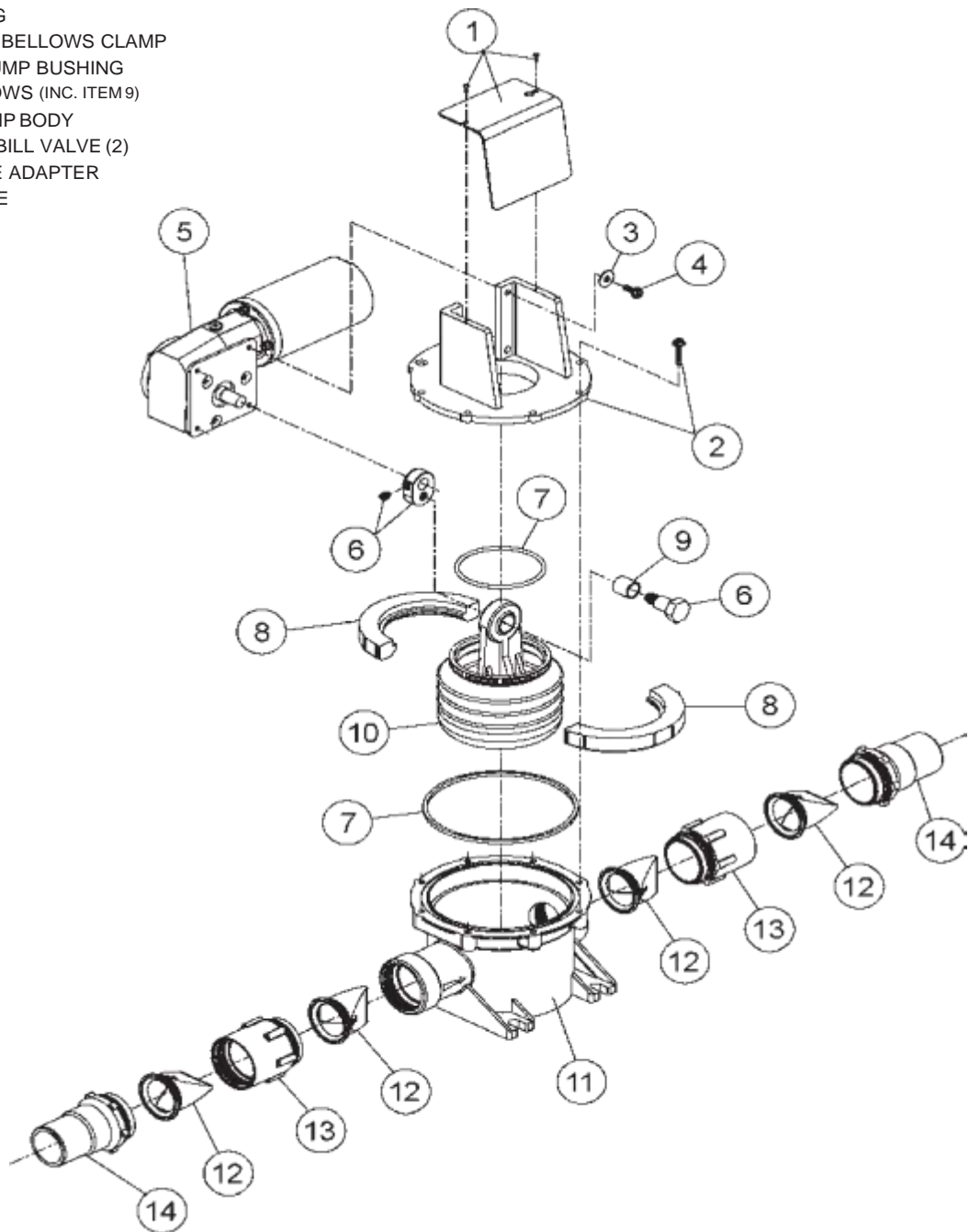
INCLUDED WITH MODEL
317729200



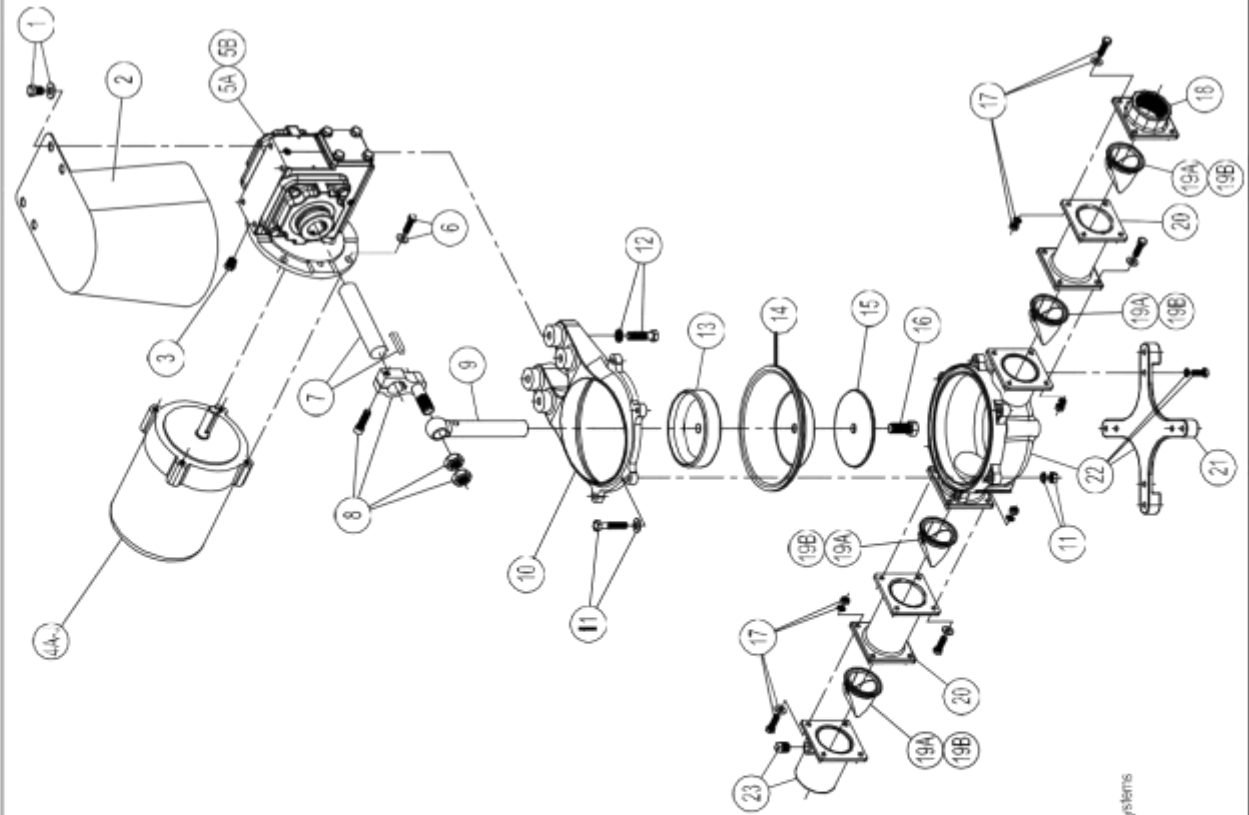
INCLUDED WITH MODEL
317729200

PARTS LIST: Vacuum System Pump, Models SW12 & SW24

ITEM	PART	DESCRIPTION
1	385311323	KIT, PUMP COVER
2	385311324	KIT, PUMP TOP-CLOSE W/SCREWS
3	385311224	KIT, S-SERIES MOTOR MOUNTING HARDWARE (includes item 4)
4	385311224	KIT, S-SERIES MOTOR MOUNTING HARDWARE (includes item 3)
5	385311065	KIT, SW MOTOR 12V
	385311423	KIT, SS/SQ TO SW MOTOR 12V (INC. ITEMS 4,6,8,9&10)
	385311066	KIT, SW MOTOR 24V
	385311424	KIT, SS/SQ TO SW MOTOR 24V (INC. ITEMS 4,6,8,9&10)
6	385310644	KIT, ECCENTRIC/SCREW
7	385310151	KIT, O'RING
8	385311226	KIT, PUMP BELLOWS CLAMP
9	385310242	KIT, S/T PUMP BUSHING
10	385230980	KIT, BELLOWS (INC. ITEM 9)
11	385311844	KIT, S-PUMP BODY
12	385310076	KIT, DUCKBILL VALVE (2)
13	385311316	KIT, VALVE ADAPTER
14	385311315	KIT, NIPPLE



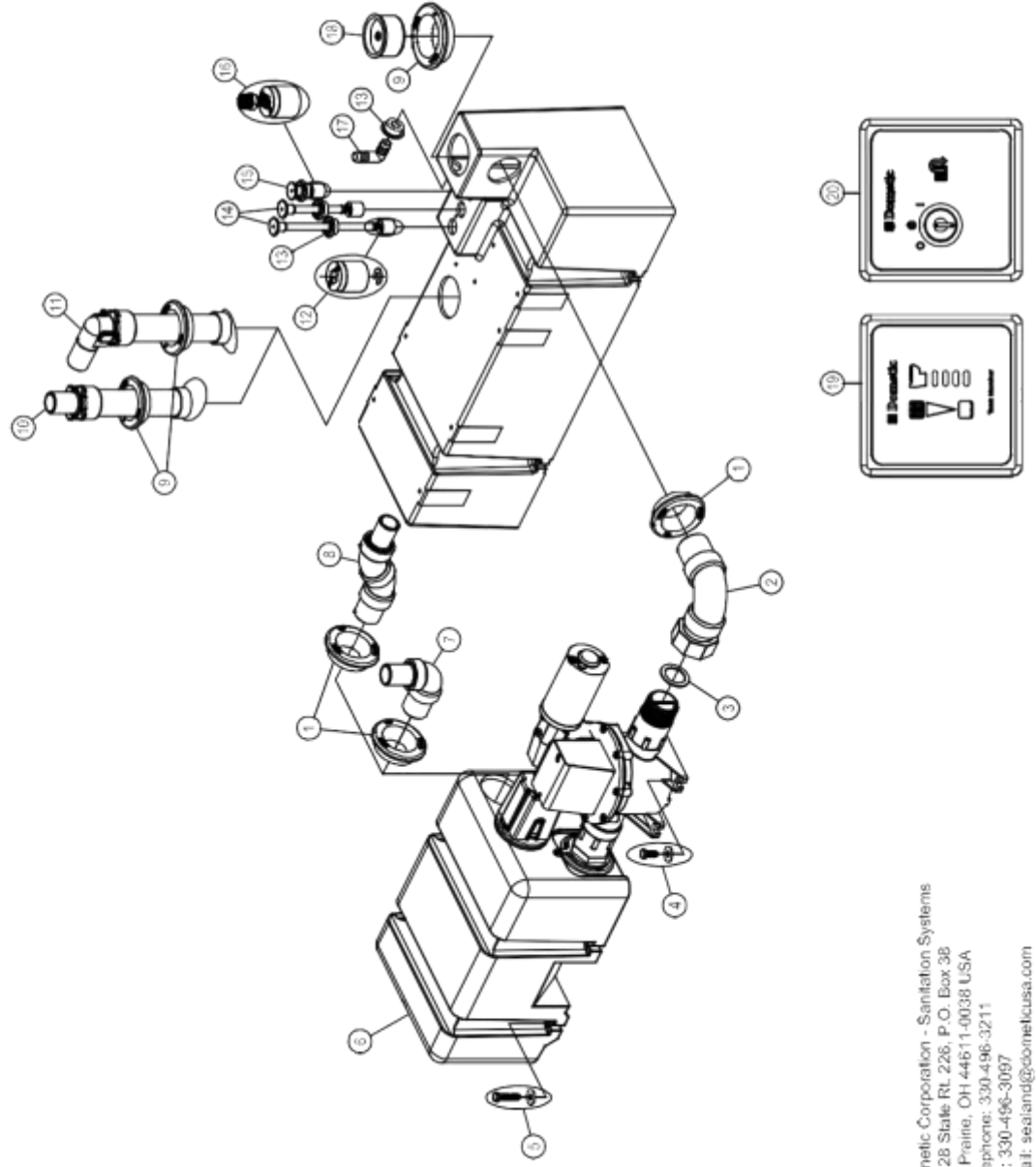
PARTS LIST: M-PUMP MODELS



ITEM	PART NUMBER & DESCRIPTION
1	385311799 COVER MOUNTING HARDWARE
2	385311800 COVER **INCLUDES ITEM 1.
3	385311807 VENT
4A	385311802 MOTOR, 1/2 HP 115 VOLT 60HZ TEFC
4B	385311803 MOTOR, 1/2 HP 115 VOLT 50HZ TEFC
4C	385311804 MOTOR, 1/2 HP 115 VOLT 60HZ EX-PROOF
4D	385311805 MOTOR, 1/2 HP 115 VOLT 50HZ EX-PROOF
4E	385311806 MOTOR, 1/2 HP 12VDC
4F	385311807 MOTOR, 1/2 HP 24VDC
4G	385311808 MOTOR, 3/4 HP 115 VOLT 60HZ TEFC
4H	385311809 MOTOR, 3/4 HP 115 VOLT 50HZ TEFC
4I	385311810 MOTOR, 3/4 HP 115 VOLT 60HZ EX-PROOF
4J	385311811 MOTOR, 3/4 HP 115 VOLT 50HZ EX-PROOF
5A	385311812 GEAR REDUCER 20:1
5B	385311813 GEAR REDUCER 30:1
6	385311814 MOTOR MOUNTING HARDWARE
7	385311815 OUTPUT SHAFT & KEY
8	385311816 ECCENTRIC
9	385311817 CONNECTING ROD
10	385311818 TOP-CLOSURE
11	385311819 TOP-CLOSURE MOUNTING HARDWARE
12	385311820 GEAR REDUCER MOUNTING HARDWARE
13	385311821 UPPER DIAPHRAGM PLATE
14	385311822 DIAPHRAGM
15	385311823 LOWER DIAPHRAGM PLATE
16	385311824 CONNECTOR ROD SCREW
17	385311825 VALVE HOUSING MOUNTING HARDWARE
18	385311826 INLET FLANGE 1-1/2" FEMALE NPT
19A	385311581 CHECK VALVE - BLACK (4)
19B	385311582 CHECK VALVE - RED (4)
20	385311827 VALVE HOUSING
21	385311828 MOUNTING PLATE & HARDWARE
22	385311829 PUMP BODY & MOUNTING PLATE **INCLUDES ITEM HARDWARE.
23	385311830 OUTLET FLANGE 1-1/2" FEMALE NPT & PLUG

PARTS LIST: 10+ HOLDING TANK SYSTEM / 322711012; 319009001; 320101003; 322101012; 322101024

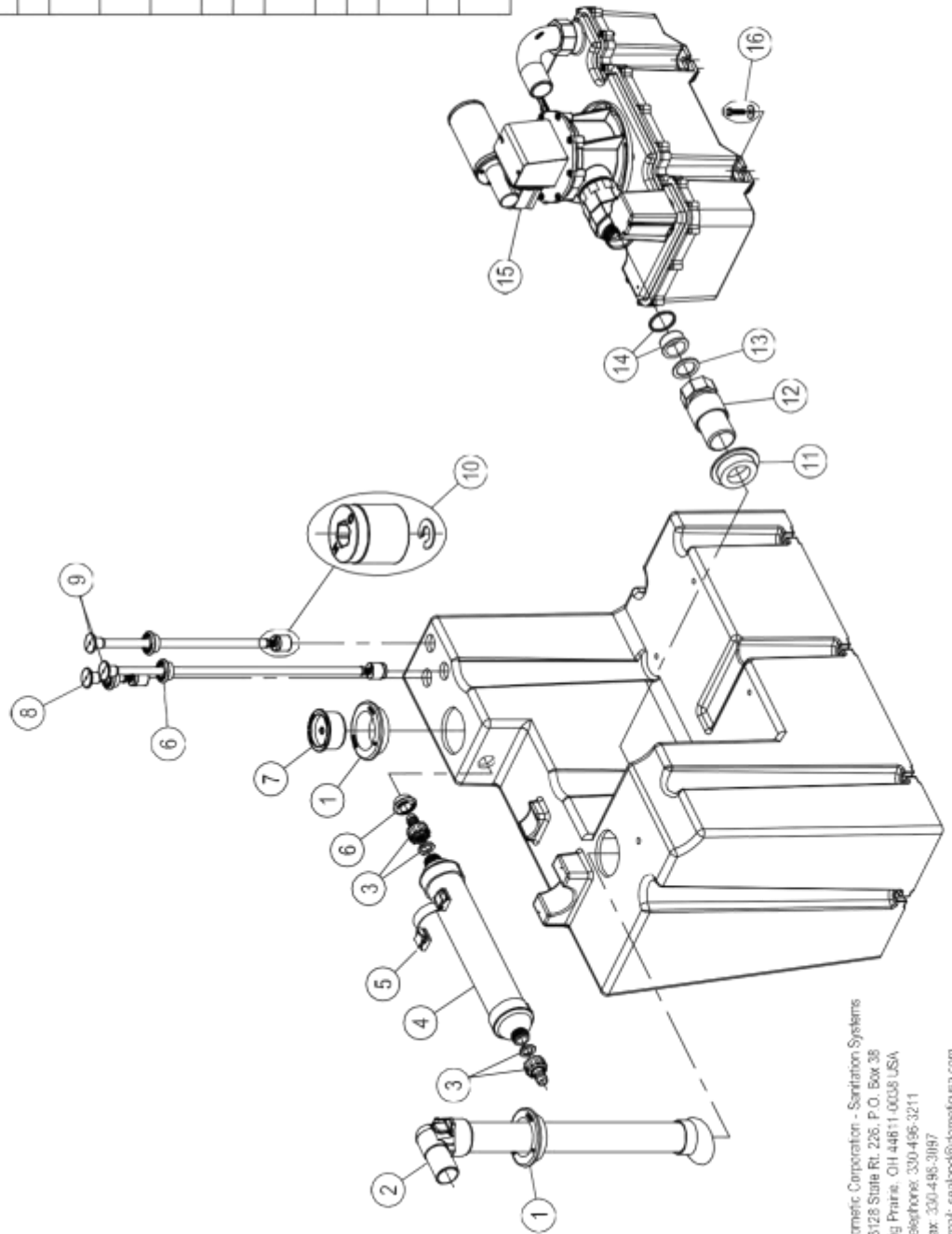
ITEM	PART NUMBER & DESCRIPTION
1	385311111 1-1/2" SEALING GROMMET
2	385310772 VG HOLDING TANK INLET FITTING **INCLUDES ITEM 1 & 3.
3	385311233 1-1/2" SLIP SEAL REPLACEMENT
4	385311163 PUMP MOUNTING HARDWARE
5	385311162 VG MOUNTING HARDWARE
6	N/A LOW-PROFILE VACUUM GENERATOR **SEE LPVG PARTS LIST.
7	385310708 INLET ELBOW FITTING **INCLUDES ITEM 1.
8	385310787 OFFSET INLET FITTING **INCLUDES ITEM 1.
9	385311110 2" SEALING GROMMET
10	385311584 STRAIGHT DIPTUBE ASSEMBLY **INCLUDES ITEM 9.
11	385311573 90° ELBOW DIPTUBE ASSEMBLY **INCLUDES ITEM 9.
12	385311103 TANK LEVEL FLOAT & LOCK RING
13	385311164 1/2" SEALING GROMMET
14	385311253 TANK LEVEL ADJUSTABLE - 12"
15	313900101 FULL TANK LEVEL **INCLUDES ITEM 13.
16	385230268 THREADED STEM/FLOAT REPLACEMENT
17	385311770 VENT ELBOW FITTING **INCLUDES ITEM 13.
18	313255247 TANKSAVER **INCLUDES ITEM 9.
19	385017001 DTM04 PNL w/RELAY & HARNESS **USED WITH MODEL 320101003 & 319009001. 313604402 DTM04 PNL w/RELAY - 12V (BLACK) **USED WITH MODEL 322101012.
20	313814101 DTD01 PNL MANUAL 12V - BLK



Domestic Corporation - Sanitation Systems
13128 State Rt. 226, P.O. Box 38
Big Prairie, OH 44611-0038 USA
Telephone: 330-496-3211
Fax: 330-496-3057
E-mail: sealand@domesticusa.com

PARTS LIST: 18 GALLON HOLDING TANK SYSTEM / 322711812; 322011824

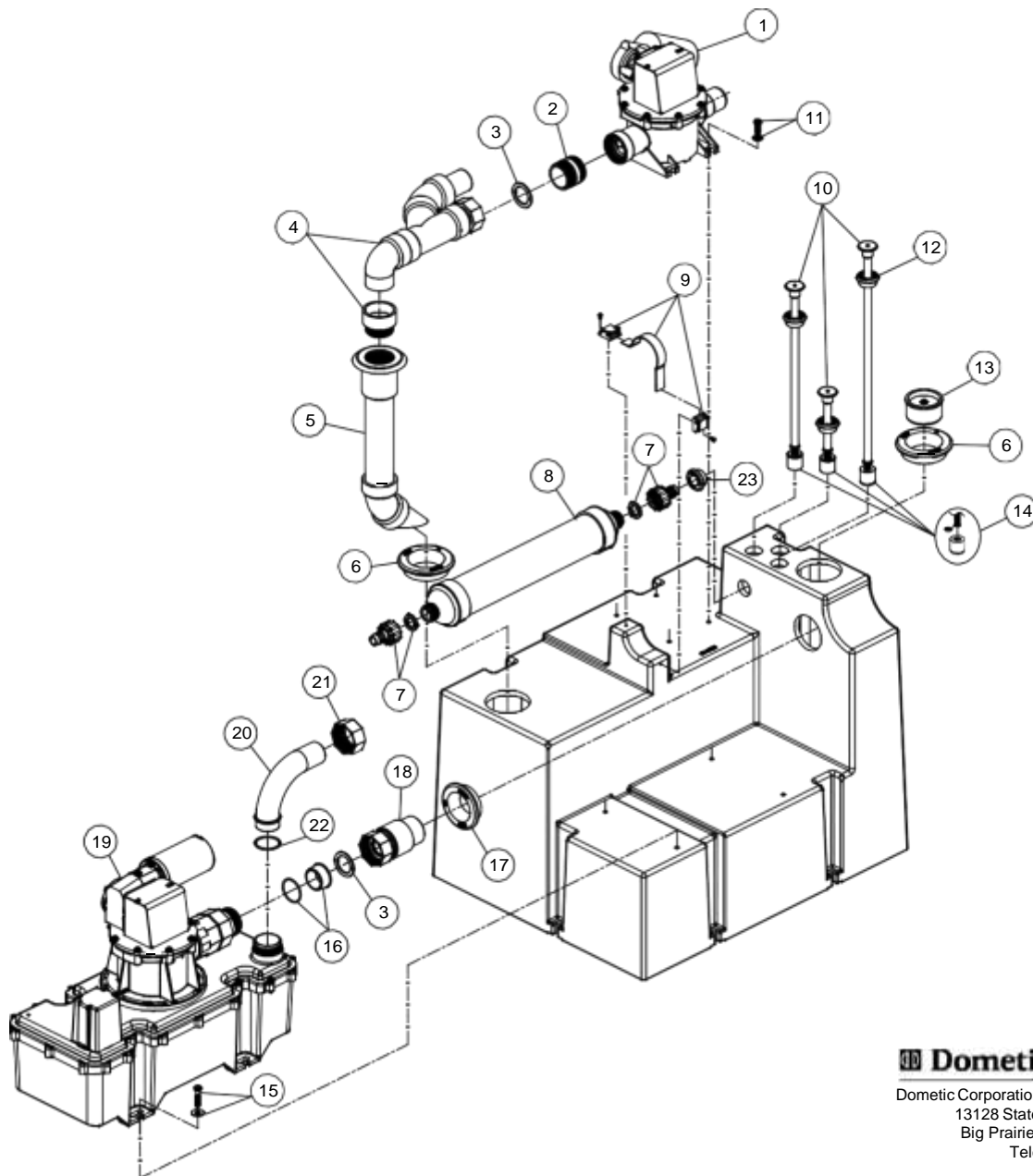
ITEM	PART NUMBER & DESCRIPTION
1	385311110 1-1/2" SEALING GROMMET
2	385311573 90° ELBOW DIPTUBE ASSEMBLY **INCLUDES ITEM 1.
3	385310135 VENT FILTER FITTINGS
4	309310001 VENT FILTER REPLACEMENT
5	385310673 VENT FILTER MOUNTING KIT
6	385311164 1/2" SEALING GROMMET
7	313255247 TANKSAVER **INCLUDES ITEM 1.
8	385311253 TANK LEVEL ADJUSTABLE 12" **INCLUDES ITEM 6.
9	385311254 TANK LEVEL ADJUSTABLE 24" **INCLUDES ITEM 6.
10	385311103 TANK LEVEL FLOAT & LOCK RING
11	385311111 1-1/2" SEALING GROMMET
12	385311236 VG4 HOLDING TANK INLET FITTING **INCLUDES ITEM 11 & 13.
13	385311233 1-1/2" SLIP SEAL REPLACEMENT
14	385311237 SLIP SEAL ADAPTER FITTING
15	N/A VACUUM GENERATOR 4 **SEE VG4 PARTS LIST.
16	385311275 VG4 MOUNTING HARDWARE
17	313604402 DTM04 w/SHUTDOWN RELAY - 12VDC 313604403 DTM04 w/SHUTDOWN RELAY - 24VDC



Domestic Corporation - Sanitation Systems
13128 State Rt. 226, P.O. Box 38
Big Prairie, OH 44611-0038 USA
Telephone: 330-495-3211
Fax: 330-495-3097
Email: saaland@dometicoa.com

PARTS LIST: 21 Gallon HTS 322702112 322702124

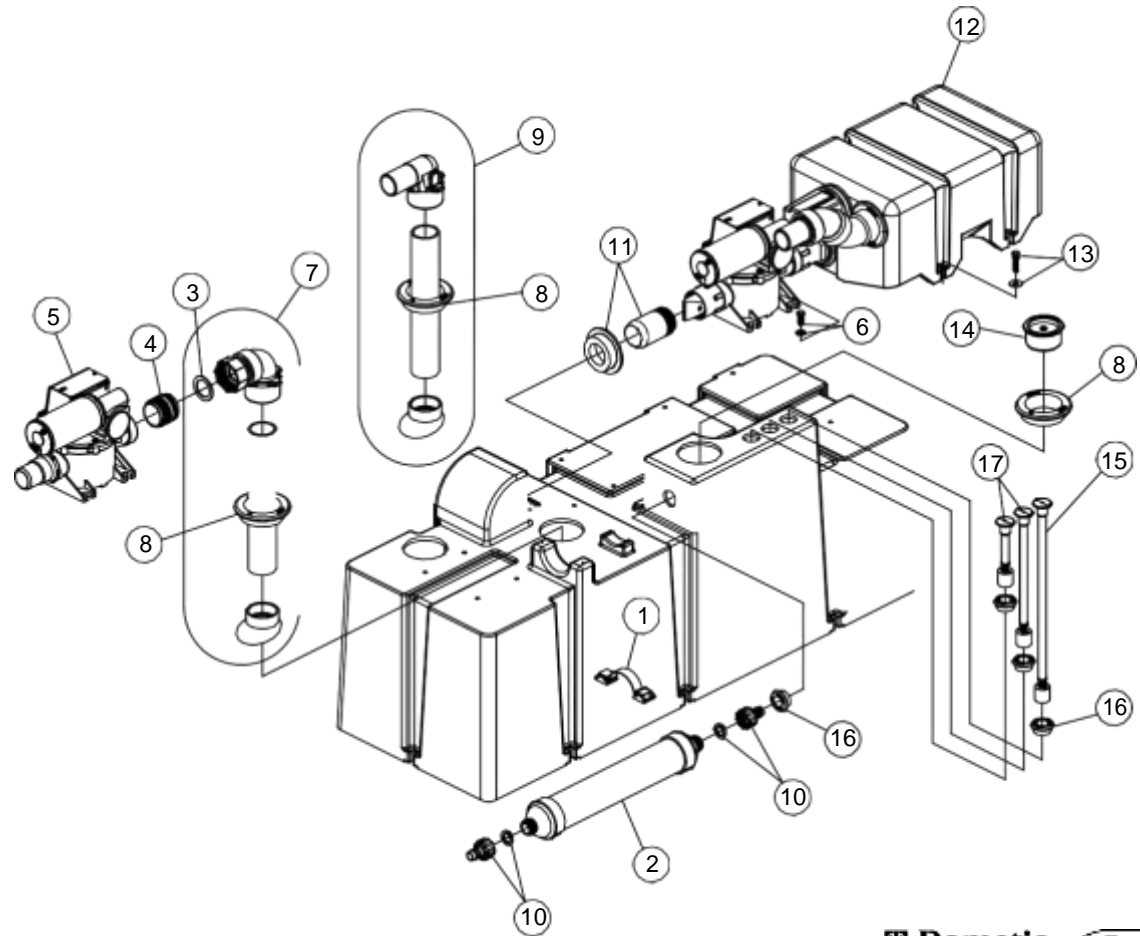
ITEM	PART NO.	DESCRIPTION	ITEM	PART NO.	DESCRIPTION
1	317301200	PUMP TW12	12	385311164	KIT, SEALING GROMMET 1/2"
	317302400	PUMP T24	13	313255247	1-1/2" TANKSAVER VALVE(inc. item 6)
2	385640370	KIT, LH/RH THREAD ADAPTER	14	385311103	KIT, SWITCH FLOAT & LOCK RING
3	385311233	KIT, SLIP SEAL 1-1/2" REP'L	15	385311162	KIT, MTG HARDWARE VG TO HTS
4	385311232	KIT, DIPTUBE WYE FITTING 21HTS	16	385311237	KIT, SLIP SEAL ADAPTER-VG4
5	385310660	DIPTUBE (inc. item 6)	17	385311111	KIT, SEALING GROMMET 1-1/2"
6	385311110	KIT, SEALING GROMMET 2"	18	385311236	KIT, VG4 TO HD TANK FITTING
7	385310135	KIT, FILTER INSTALLATION	19	317780112	VG4/JQ12-STANDARD
8	309310001	HOLDING TANK REP'L FILTER		317780024	VG4/JQ24-STANDARD
9	385310673	KIT, FILTER MOUNTING-HTS	20	385311218	KIT, EL HOSE FIT W/NUT-VG4(INC. 21 & 22)
10	385311235	KIT, LEVEL IN'D - 21HTS (includes item 12)	21	385311212	KIT, 1-1/2" SWIVEL NUT
11	385311163	KIT, MTG HARDWARE PUMP TO TANK	22	385311238	KIT, O'RING REP'L-VG4 FITTINGS



Dometic *Sealand*
Dometic Corporation - Sanitation Systems
13128 State Rt. 226, P.O. Box 38
Big Prairie, OH 44611-0038 USA
Telephone: 330-496-3211
Fax: 330-496-3097
Email: sealand@dometicusa.com

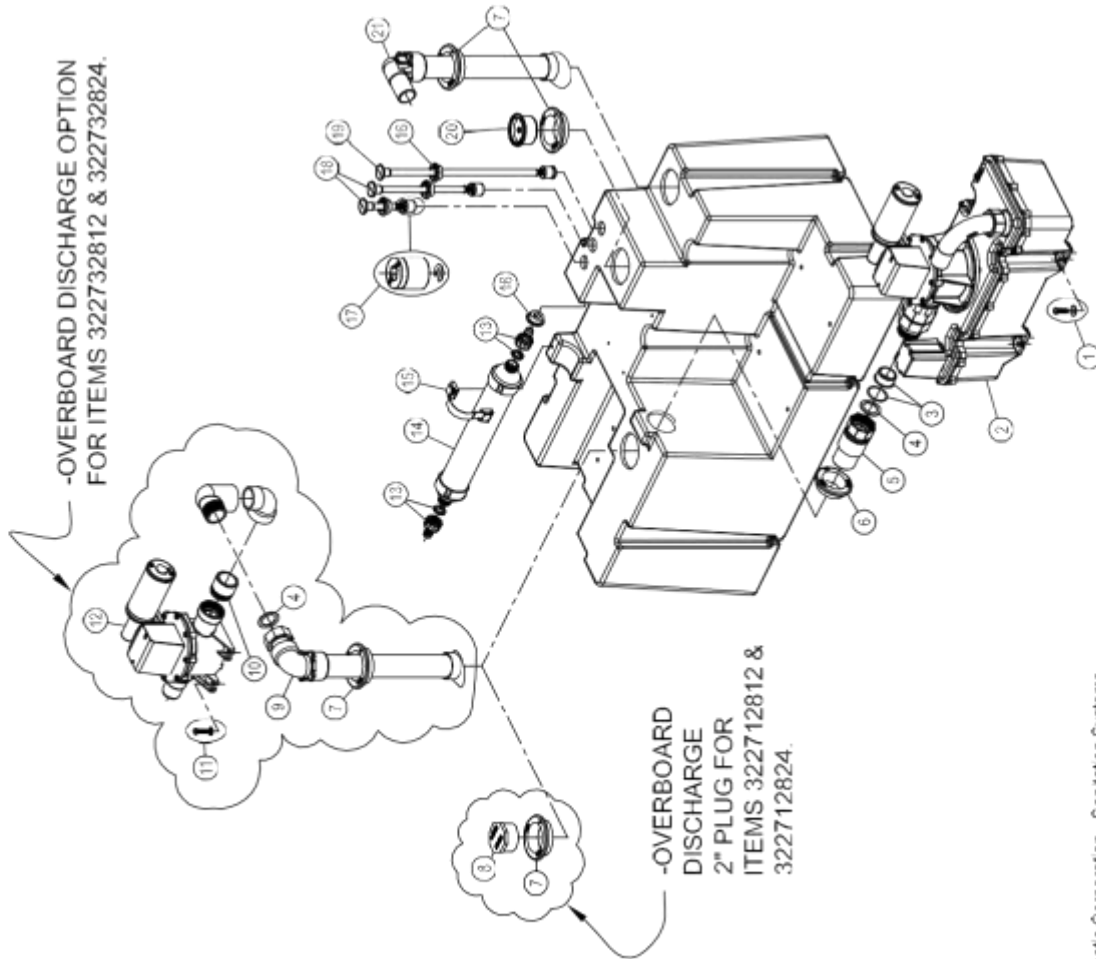
PARTS LIST: MODEL 322712712-24 27 GAL HTS

ITEM	PART NO.	DESCRIPTION
1	385310673	KIT, FILTER MOUNTING-HTS
2	309310001	HOLDING TANK REP'L FILTER
3	385311233	KIT, SLIP SEAL 1-1/2" REP'L
4	385640370	KIT, LH/RH THREAD ADAPTER
5	N/A	SEE PUMP PARTS LIST
6	385311163	KIT, MTG HARDWARE PUMP TO TANK
7	385311575	KIT, TPUMP DIPTUBE EL/SWIV CON (INC. 8)
8	385311110	KIT, SEALING GROMMET 2"
9	385311573	KIT, DIPTUBE 90° ELBOW GLUED (INC. 8)
10	385310135	KIT, FILTER INSTALLATION
11	385311367	KIT, VG OUTLET FITTING EXT
12	N/A	SEE LPVG PARTS LIST
13	385311162	KIT, MTG HARDWARE VG TO HTS
14	313255247	TANKSAVER 1-1/2" (INC. 8)
15	385311254	KIT, ADJ IND'V LEVEL IND'C 24" (INC. 16)
16	385311164	KIT, SEALING GROMMET 1/2"
17	385311253	KIT, ADJ IND'V LEVEL IND'C-12" (INC 16)



PARTS LIST: 28+ HOLDING TANK SYSTEM / 322712812; 322732812; 322732824

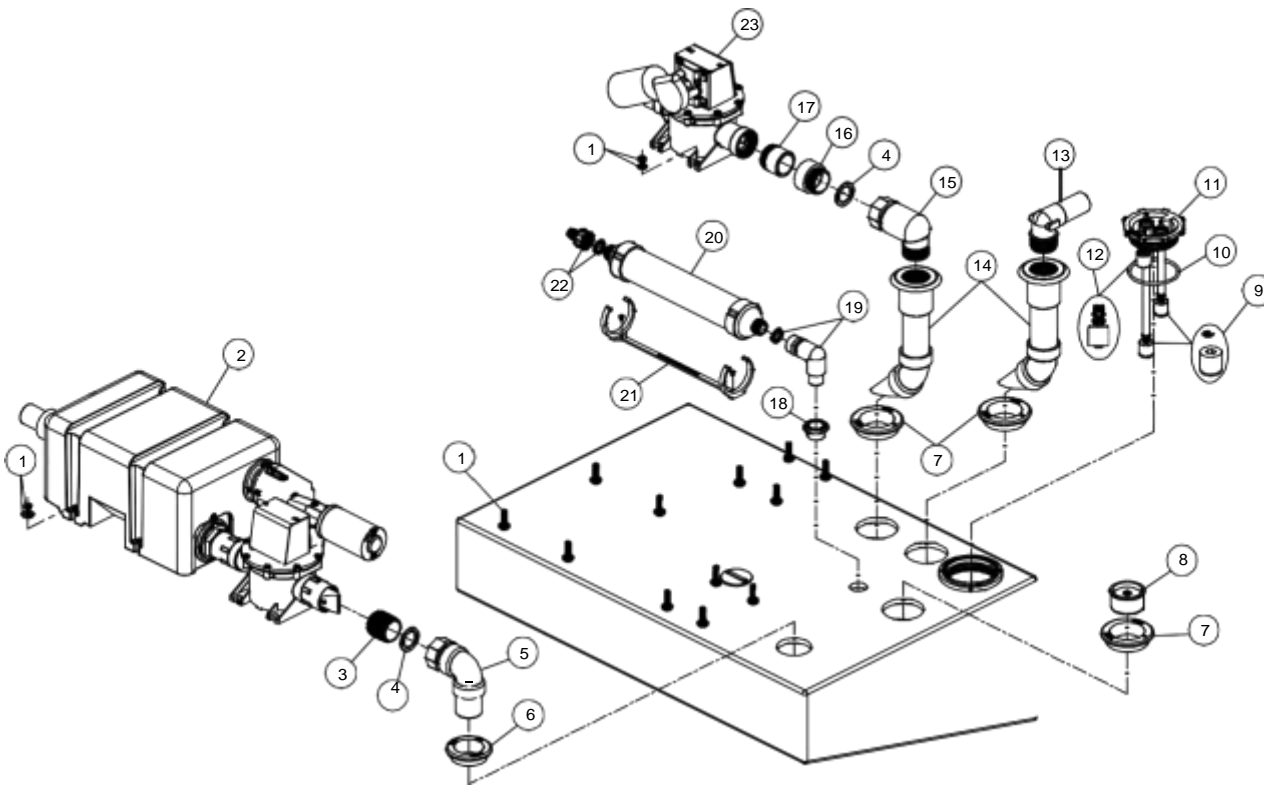
ITEM	PART NUMBER & DESCRIPTION
1	386311275 VG4 MOUNTING HARDWARE
2	N/A VACUUM GENERATOR 4
3	386311237 SLIP SEAL ADAPTER FITTING
4	386311233 1-1/2" SLIP SEAL REPLACEMENT
5	386311236 VG4 HOLDING TANK INLET FITTING **INCLUDES ITEM 4 & 6.
6	386311111 1-1/2" SEALING GROMMET
7	386311110 2" SEALING GROMMET
8	N/A 2" PLUG FITTING
9	386311577 ELBOW DIPTUBE w/SWIVEL NUT **INCLUDES ITEM 4 & 7.
10	385640335 PUMP INLET FITTING
11	386311163 PUMP MOUNTING HARDWARE
12	N/A DISCHARGE PUMP
13	386310135 VENT FILTER FITTINGS
14	309310001 VENT FILTER REPLACEMENT
15	386310673 VENT FILTER MOUNTING KIT
16	386311164 1/2" SEALING GROMMET
17	386311103 TANK LEVEL FLOAT & LOCK RING
18	386311253 TANK LEVELS ADJUSTABLE - 12" **INCLUDES ITEM 16.
19	386311254 TANK LEVELS ADJUSTABLE - 24" **INCLUDES ITEM 16.
20	313255247 TANKSAVER **INCLUDES ITEM 7.
21	386311573 90° ELBOW DIPTUBE ASSEMBLY **INCLUDES ITEM 7.



Dometic Corporation - Sanitation Systems
13128 State Rt. 226, P.O. Box 38
Big Prairie, OH 44611-0038 USA
Telephone: 330-496-3211
Fax: 330-496-3097
E-mail: sealand@dometicusa.com

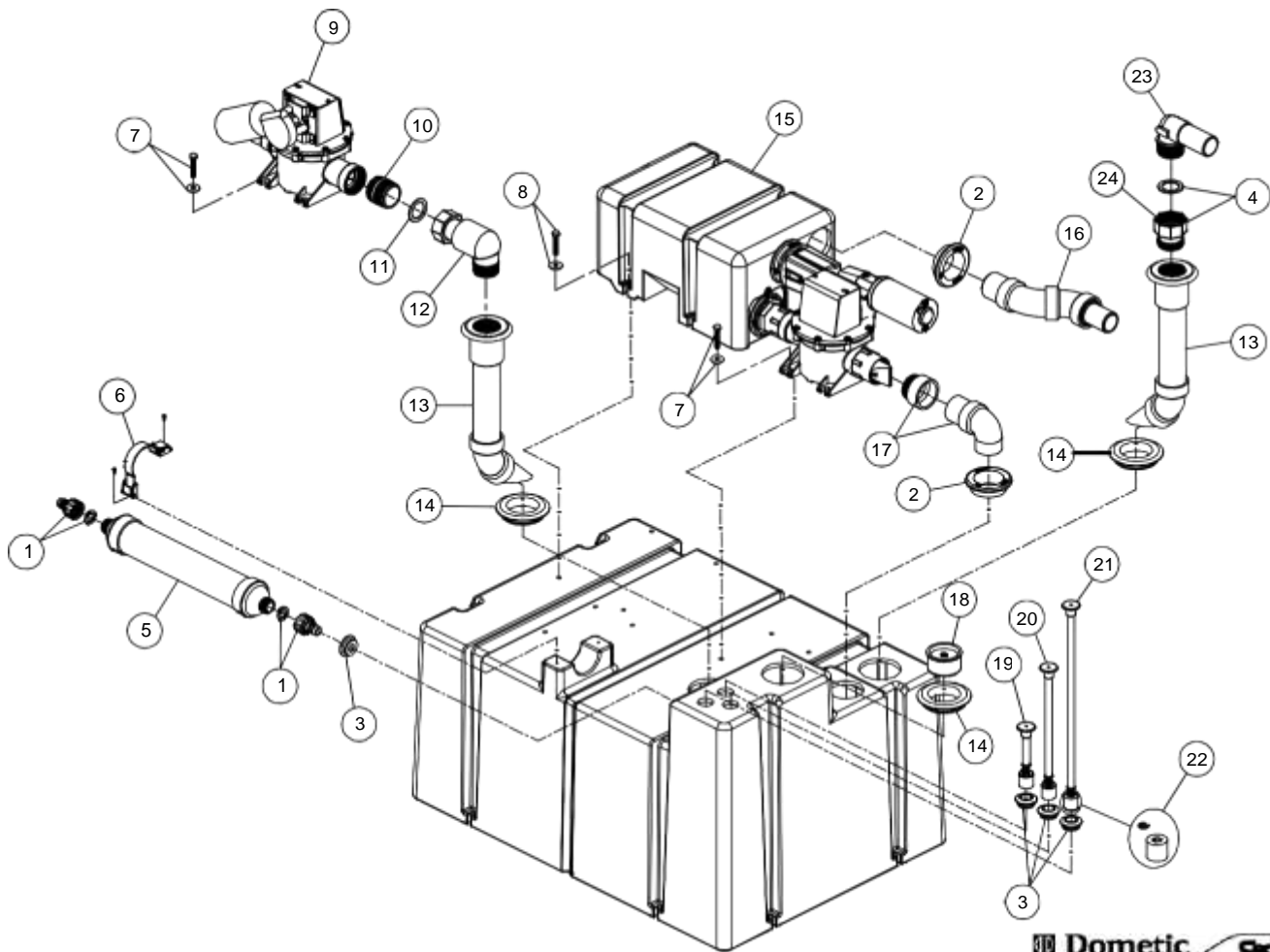
PARTS LIST: MODEL 322722812 & 322722824

ITEM	PART NO.	DESCRIPTION
1	385310939	KIT, COMP MTG INSERT HD TANK
2	317773012	VGLP/W12 REAR INLET
	317773024	VGLP/W24 REAR INLET
3	385311272	NIPPLE, 1-1/2" CLOSE
4	385311233	KIT, SLIP SEAL 1-1/2" REPL
5	385311092	KIT, QUICK CONNECT ELBOW (INC. ITEM 4 & 6)
6	385311111	GROMMET, SEALING 1 1/2"
7	385311110	GROMMET, SEALING 2"
8	313255247	TANK SAVER, 1- 1/2" (INC. ITEM 9)
9	385311103	KIT, FLOAT AND RING LOCK
10	385311250	KIT, TW CAP ORING REPL
11	313000355	CAP (INCLUDES ITEM 10)
12	385230268	FLOAT/STEM (THREADED)
13	385311233	KIT, 90° ELBOW FITTING
14	385310660	KIT, DIPTUBE (INC. ITEM 7)
15	385310931	QUICK CONNECT ELBOW
16	307341425	ADAPTER, 1-1/2" HUB X MPT
17	385640335	KIT, S-SUMP INLET TANK TO PUMP
18	385311112	KIT, SEALING GROMMET 3/4"
19	385311091	VENT ELBOW INLET 3/4" (INC. ITEM 18)
20	309310001	REPLACEMENT VENT FILTER
21	385311106	VENT FILTER MTG. BRACKET (INC. SCREWS)
22	385310135	FILTER INSTALLATION
23	317301200	T-PUMP 12VDC
	317302400	T-PUMP 24VDC



PARTS LIST: 322713512 HTS 35-LPVGQ12/T12/TW4

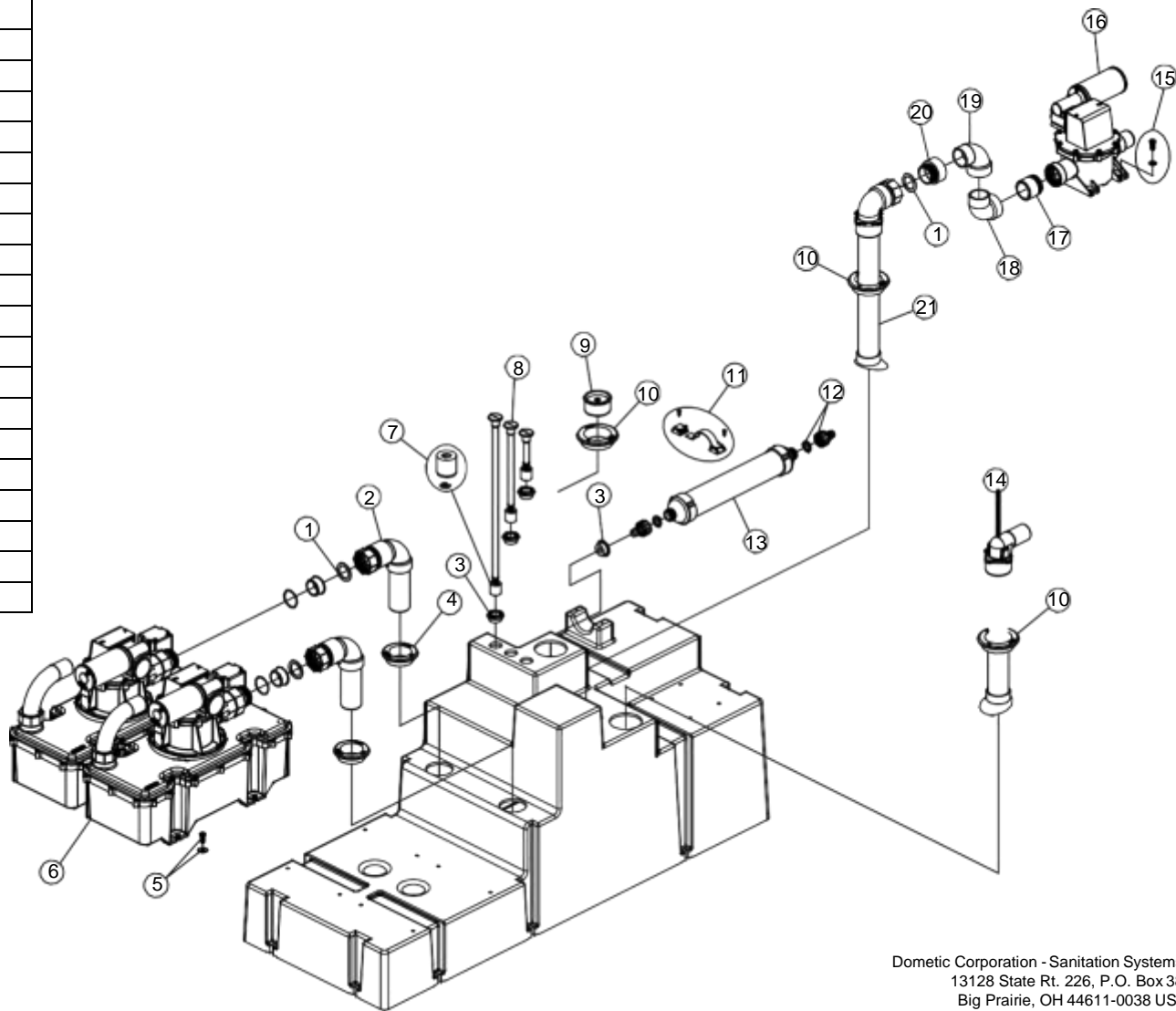
ITEM	PART NO.	DESCRIPTION	ITEM	PART NO.	DESCRIPTION
1	385310135	VENT FILTER FITTINGS	13	385310660	DIPTUBE KIT (inc. item 14)
2	385311111	1-1/2" UNISEAL	14	385311110	2" UNISEAL
3	385311164	1/2" UNISEAL	15	N/A	SEE LOW PROFILE VG PARTS LIST
4	385310914	1-1/2" SWIVEL ELBOW KIT (inc. item 23)	16	385310787	45° ELBOW KIT (inc. item 2)
5	309310001	5/8" HOLDING TANK VENT FILTER (item # 1 not inc.)	17	385310844	TANK INLET ELBOW KIT (inc. item 2)
6	385310673	FILTER MOUNTING KIT	18	313255247	1-1/2" TANKSAVER VALVE (inc item 14)
7	385311163	KIT, MTG HARDWARE PUMP TO TANK	19	385310841	FULL LEVEL INDICATOR (inc. item 3)
8	385311162	KIT, MTG HARDWARE VG TO HTS	20	385310840	MID LEVEL INDICATOR (inc. item 3)
9	317301200	12VDC OVERBORD DISCHARGE PUMP	21	385310839	EMPTY LEVEL INDICATOR (inc. item 3)
10	385640370	KIT, LH/RH THREAD ADAPTER	22	385311103	KIT, SWITCH FLOAT & LOCK RING
11	385311233	KIT, SLIP SEAL 1-1/2" REPL	23	385311251	KIT, 90° ELBOW FITTING
12	385310931	KIT, QUICK CONNECT ELBOW (inc. item 11)	24	385311070	KIT, THR'D QUICK CON'T ADAPT (inc. item 11)



Dometic *Sealand*
Dometic Corporation - Sanitation Systems
13128 State Rt. 226, P.O. Box 38
Big Prairie, OH 44611-0038 USA
Telephone: 330-496-3211
Fax: 330-496-3097
Email: sealand@dometicusa.com

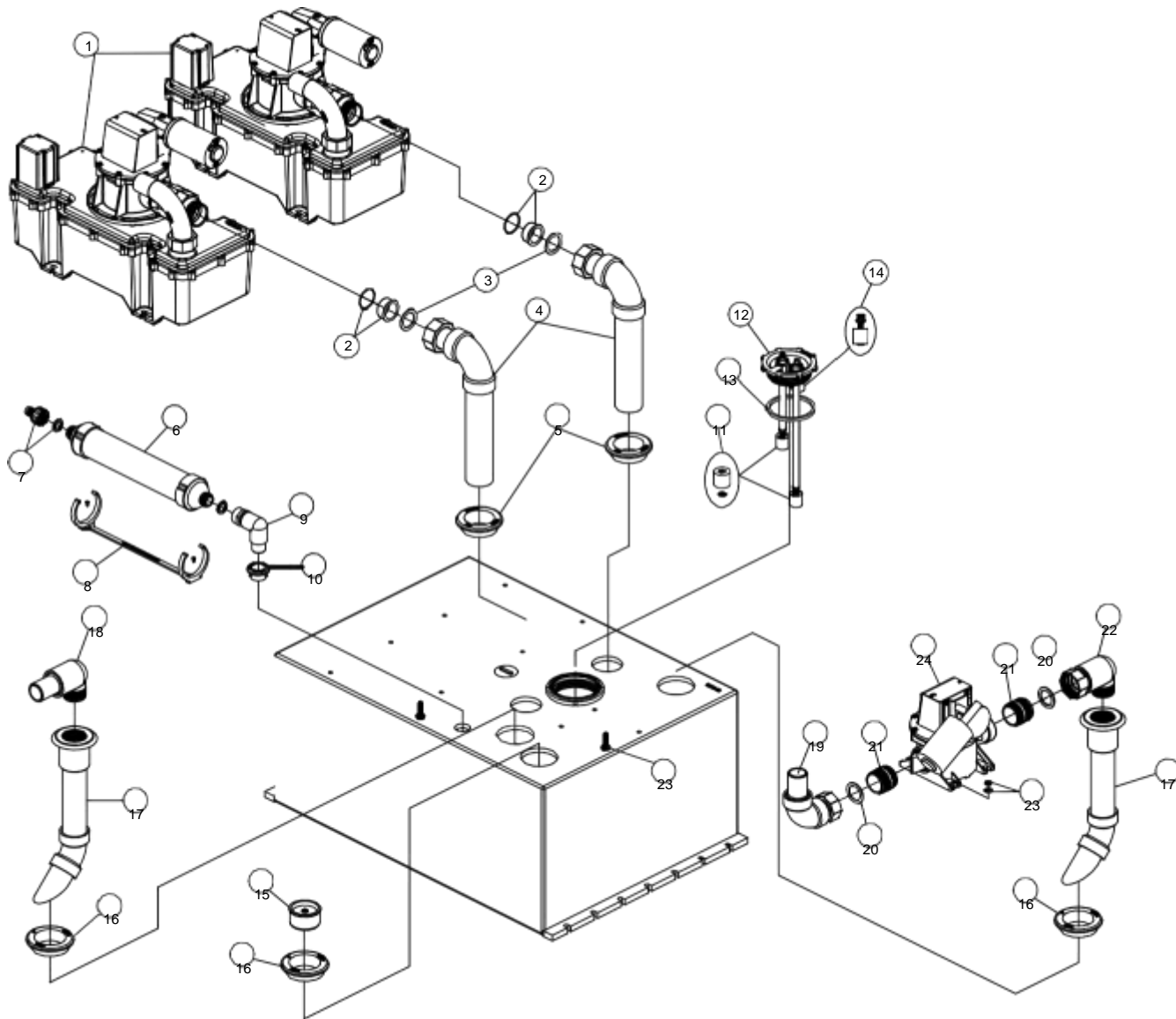
PARTS LIST: 39 GAL HTS. 322703912 - 322703924

ITEM	PART NO.	DESCRIPTION
1	385311233	KIT, SLIP SEAL 1-1/2" REPL
2	385311460	KIT, INLET ASSY VG4 TO TK (39) (INC 1 & 4)
3	385311164	KIT, SEALING GROMMET 3/8"
4	385311111	KIT, SEALING GROMMET 1-1/2"
5	385311162	KIT, MTG HARDWARE VG TO HTS
6	N/A	SEE VG4 EXPLODED PARTS LIST
7	385311103	KIT, SWITCH FLOAT & LOCK RING
8	385311253	KIT, ADJ IND'V LEVEL IND'C 12" (INC 3)
9	313255247	TANK SAVER, 1-1/2" (INC 10)
10	385311110	KIT, SEALING GROMMET 2"
11	385310673	KIT, FILTER MOUNTING-HTS
12	385310135	KIT, FILTER INSTALLATION
13	309310001	HOLDING TANK REPL FILTER
14	385311573	KIT, DIPTUBE 90° ELBOW GLUED (INC 10)
15	385311163	KIT, MTG HARDWARE PUMP TO TANK
16	N/A	SEE PUMP EXPLODED PARTS LIST
17	385640335	KIT, S-SUMP INLET TANK TO PUMP
18	307341161	ELL, STREET 90 DEGREE
19	600342787	ELBOW, STREET 1/4 BEND-1-1/2"
20	307341425	ADAPTER, 1-1/2" HUB X MPT
21	385311575	KIT, TPUMP DIPTUBE EL/SWIV CON



120

PARTS LIST: 322714012, 322714024



ITEM	PART NO.	DESCRIPTION
1	N/A	SEE LPVG EXPLODED PARTS LIST
2	385311237	KIT, SLIP SEAL ADAPTER-VG4
3	385311233	KIT, SLIP SEAL 1-1/2" REPL
4	385311306	KIT, VG4 INLET (322404005) (inc. items 3 & 5)
5	385311111	KIT, SEALING GROMMET 1-1/2"
6	309310001	HOLDING TANK REPL FILTER
7	385310135	KIT, FILTER INSTALLATION
8	385311106	KIT, VENT FILTER BRACKET
9	385311091	KIT, VENT ELBOW INLET 3/4" (inc. item 10)
10	385311112	KIT, SEALING GROMMET 3/4"
11	385311103	KIT, SWITCH FLOAT & LOCK RING
12*	313000350	TWIII LEVEL CAP w/VENT (inc. item 13)
	385311149	KIT, TW CAP W/O VENT(D) 4040H (inc. item 13)
13	385311250	KIT, TW CAP ORING REPL
14	385230268	KIT, FLOAT/STEM (THREADED)
15	313255247	TANKSAVER 1-1/2" (inc. item 16)
16	385311110	KIT, SEALING GROMMET 2"
17	385310660	KIT, DIP TUBE-UNIVERSAL (inc. item 16)
18	385311069	KIT, THR'D ELBOW W/HOSE ADAPT
19	385310535	KIT, OPTIONAL ELBOW-VG II (inc. item 21)
20	385311233	KIT, SLIP SEAL 1-1/2" REPL
21	385640370	KIT, LH/RH THREAD ADAPTER
22	385310931	KIT, QUICK CONNECT ELBOW (inc. item 21)
23	385310939	KIT, COMP MTG INSERT HD TANK
24	385310939	SEE PUMP EXPLODED PARTS LIST.

*Models 322404005 and 322404008 have non vented caps.
*Models 322714012 and 322714024 have vented caps.

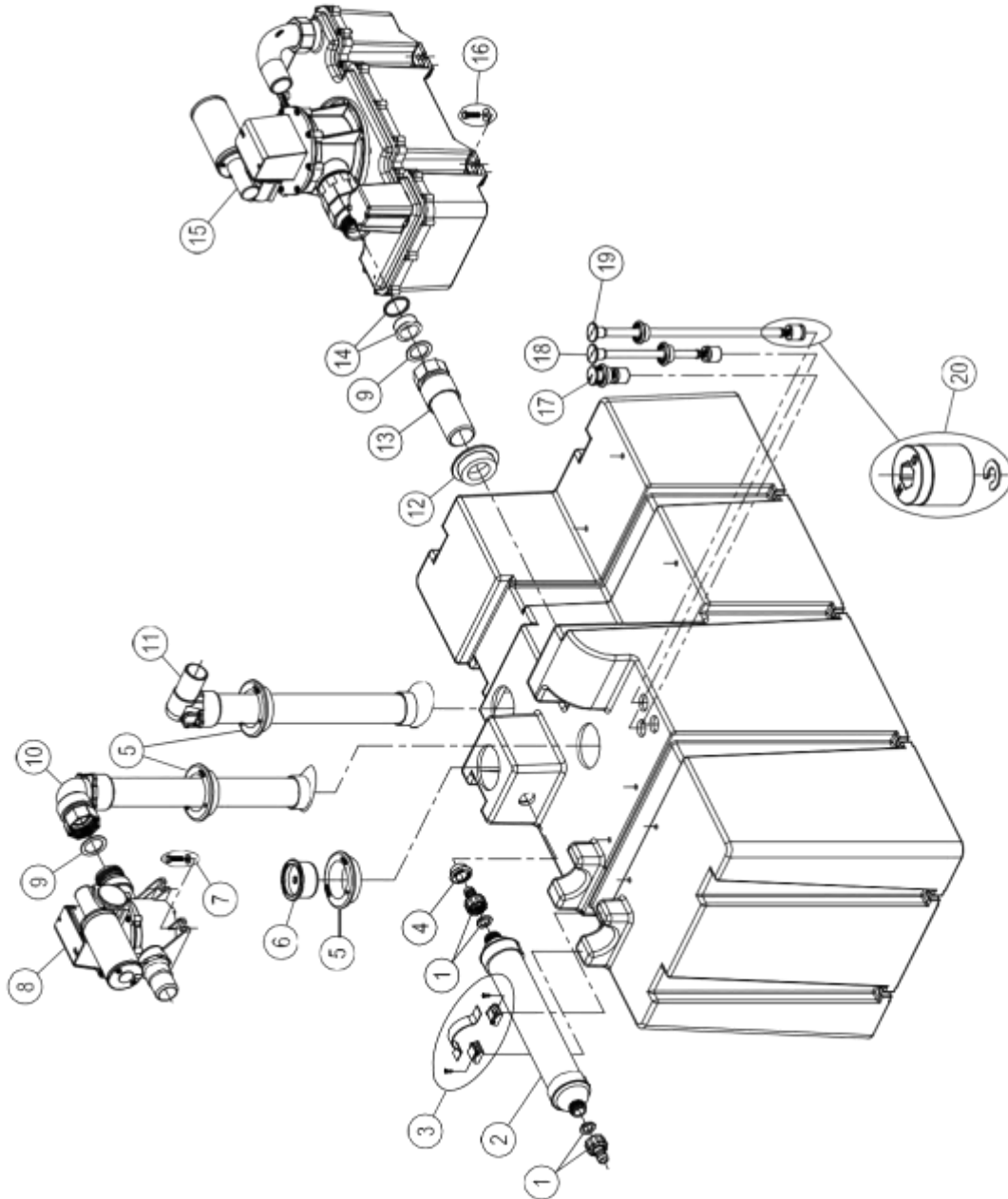
121



Dometic Corporation - Sanitation Systems
13128 State Rt. 226, P.O. Box 38
Big Prairie, OH 44611-0038 USA
Telephone: 330-496-3211
Fax: 330-496-3097
Email: sealand@dometicus.com

PARTS LIST: 42 GALLON HTS / 322714212 & 322014224

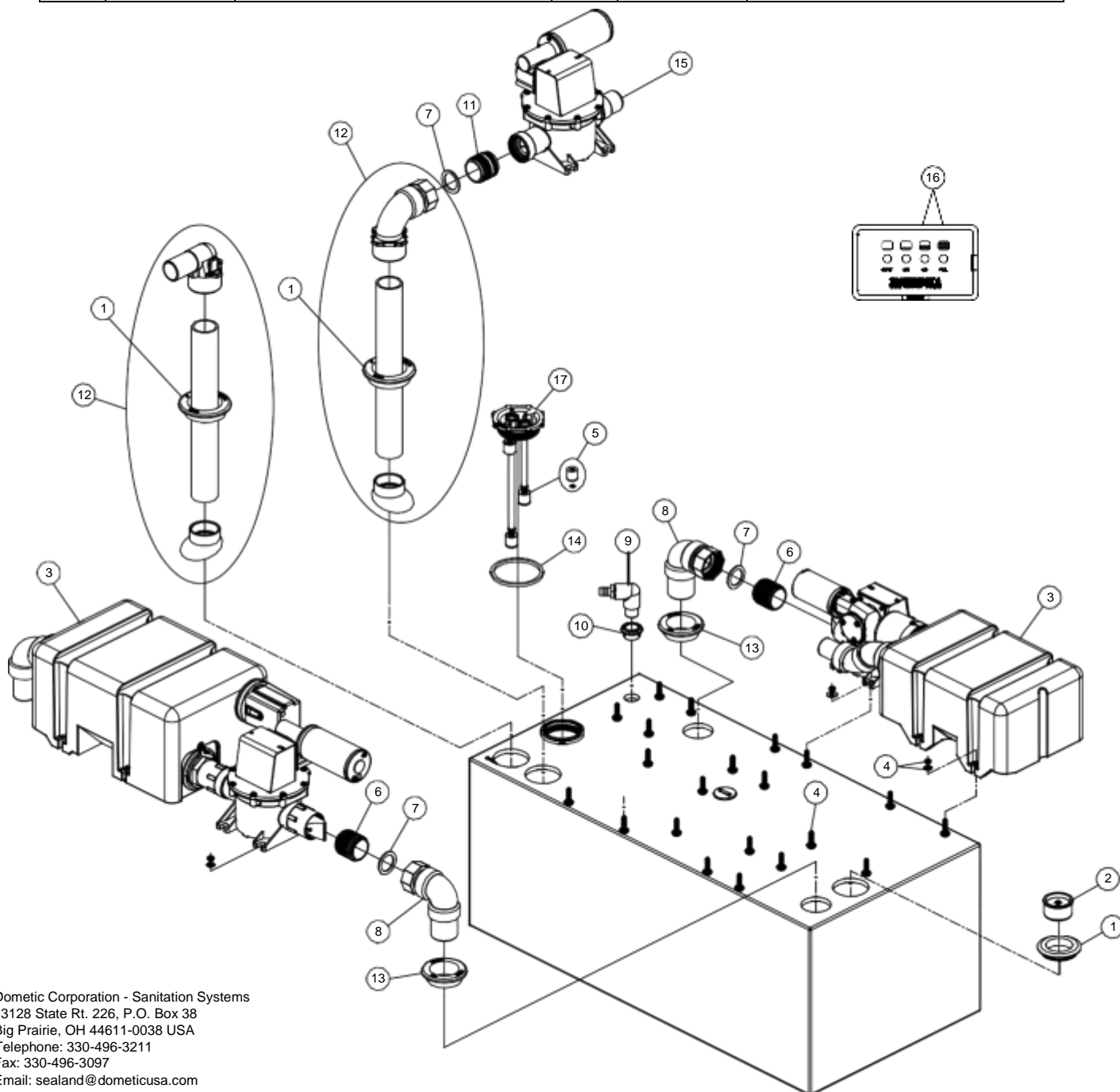
ITEM	PART NUMBER & DESCRIPTION
1	385310135 VENT FILTER FITTINGS
2	309310001 VENT FILTER REPLACEMENT
3	385310673 VENT FILTER MOUNTING KIT
4	385311164 1/2" SEALING GROMMET
5	385311110 2" SEALING GROMMET
6	313255247 TANKSAVER **INCLUDES ITEM 5.
7	385311163 PUMP MTG HARDWARE
8	N/A DISCHARGE PUMP
9	385311233 1-1/2" SLIP SEAL REPLACEMENT
10	385311575 ELBOW DIPTUBE w/SWIVEL NUT **INCLUDES ITEM 5 & 9.
11	385311573 90° ELBOW DIPTUBE ASSEMBLY **INCLUDES ITEM 5.
12	385311111 1-1/2" SEALING GROMMET
13	385311236 VG/TANK INLET FITTING **INCLUDES ITEM 9 & 12.
14	385311237 VG SLIP SEAL ADAPTER KIT
15	N/A VACUUM GENERATOR 4
16	385311162 VG MTG HARDWARE
17	313900101 TANK FULL LEVEL **INCLUDES ITEM 4.
18	385311253 ADJUSTABLE TANK LEVEL 12". **INCLUDES ITEM 4.
19	385311254 ADJUSTABLE TANK LEVEL 24". **INCLUDES ITEM 4.
20	385311103 TANK LEVEL FLOAT & LOCK RING



Domestic Corporation - Sanitation Systems
13128 State Rt. 226, P.O. Box 38
Big Prairie, OH 44611-0038 USA
Telephone: 330.496.3211
Fax: 330.495.3197
Email: sealand@dometousa.com

PARTS LIST: HD TANK 4055 (322715512 & 322715524)

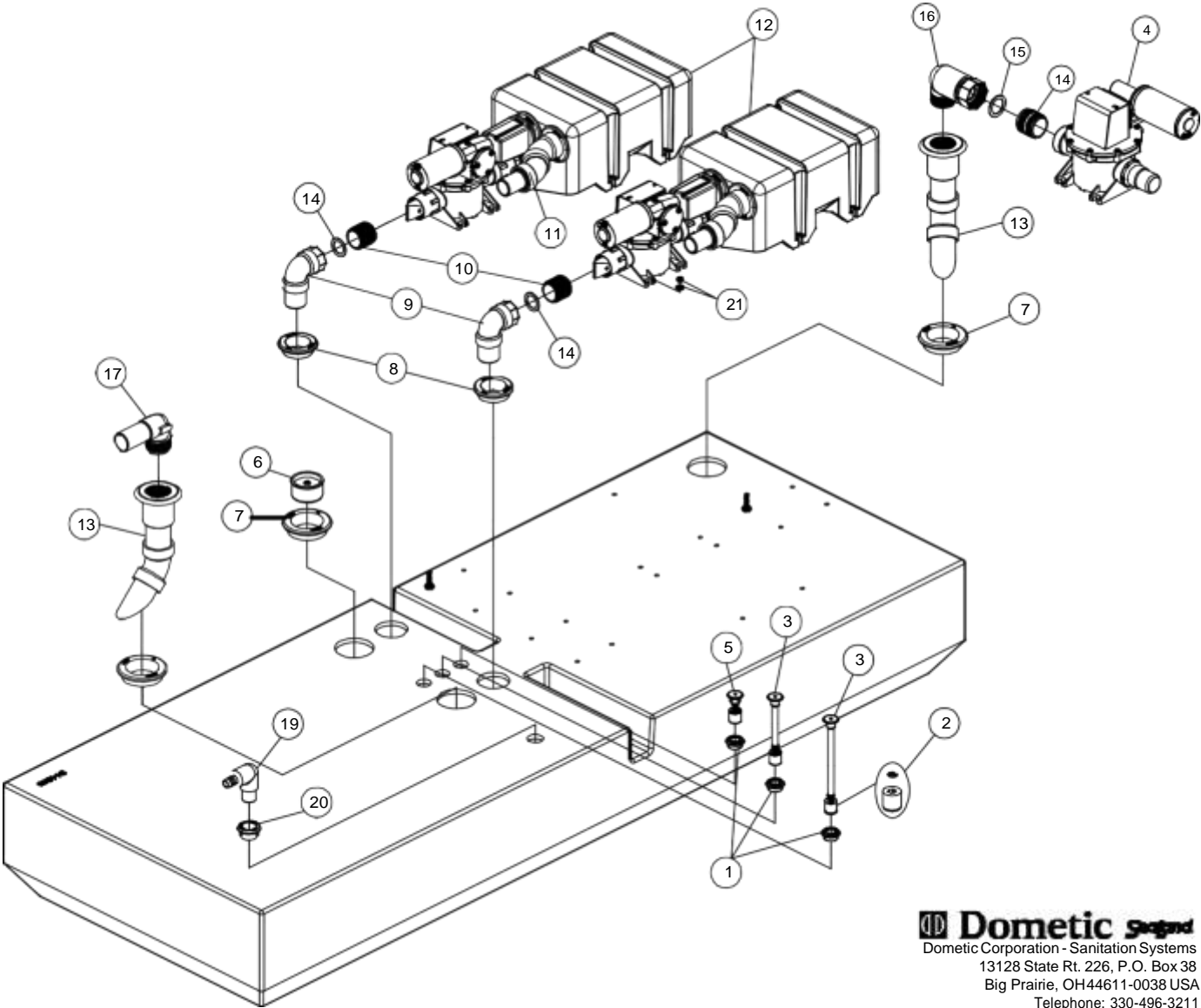
ITEM	PART NO.	DESCRIPTION	ITEM	PART NO.	DESCRIPTION
1	385311110	SEALING GROMMET 2"	10	385311112	GROMMET, SEALING 3/4"
2	313255247	1 1/2" TANKSAVER (INC. 1)	11	385640370	KIT, LH/RH THREAD ADAPTER
3	--	SEE VGLP EXPLODED PARTS LIST	12	385311596	KIT, DIPT LRG SWEEP EL/NUT (INC 1)
4	385310939	KIT, COMP MTG INSERT HD TANK	13	385311111	1-1/2" SEALING GROMMET
5	385311103	KIT, SWITCH FLOAT & LOCK RING	14	385311250	KIT, TW CAP ORING REPL
6	388640366	NIPPLE, CLOSE 1 1/2"	15	N/A	SEE T-PUMP PARTS LIST
7	385311233	SLIP JOINT SEAL 1-1/2"	16	360600212	TW4 PANEL W/RELAY-12VDC
8	385311092	SWIVEL ELBOW (INC. 7 & 13)		360600224	TW4 PANEL W/RELAY-24VDC
9	385311073	VENT ELBOW (INC.10)	17	313000355	TW CAP W/O VENT



Dometic Corporation - Sanitation Systems
13128 State Rt. 226, P.O. Box 38
Big Prairie, OH 44611-0038 USA
Telephone: 330-496-3211
Fax: 330-496-3097
Email: sealand@dometicus.com

PARTS LIST: HTS 80 LPVG12/T12 OR 24/TW4

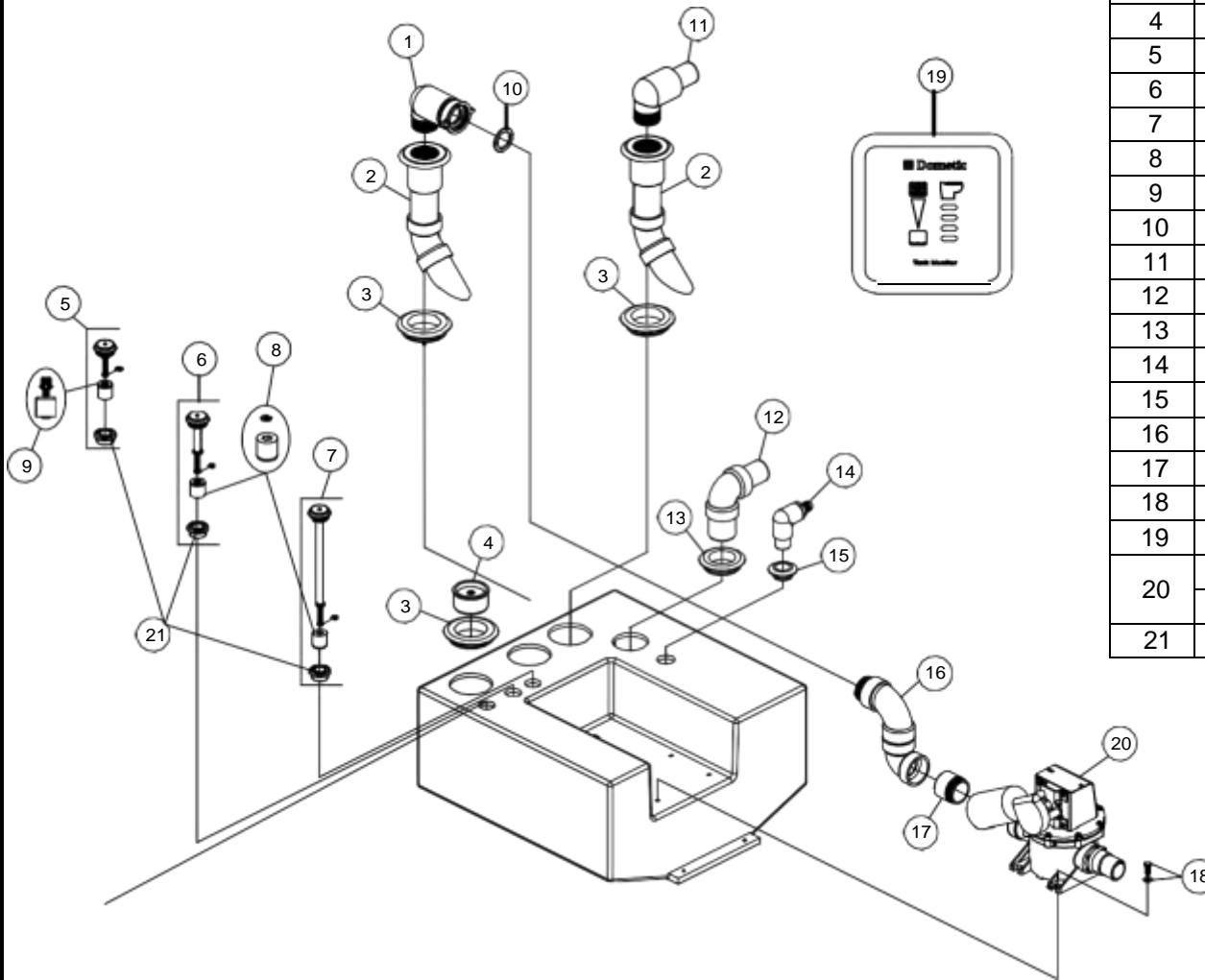
ITEM	PART NO.	DESCRIPTION	ITEM	PART NO.	DESCRIPTION
1	385311164	SEALING GROMMET $1\frac{1}{2}$ "	11	385310787	KIT, 45 INLET ELBOW/UNISEALS (inc. item 8)
2	385311103	REED SWITCH FLOAT & LOCK RING KIT	12	N/A	SEE VACUUM GENERATOR PARTS LIST
3	385311104	LEVEL INDICATOR - 5- $\frac{3}{8}$ " (inc. item 1)	13	385310660	DIPTUBE KIT 24" (inc. item 7)
4	N/A	SEE PUMP PARTS LIST	14	385311233	KIT, SLIP SEAL 1-1/2" REP'L
5	313900101	TANK FULL FLOAT (inc. item 3)	15	385640370	KIT, LH/RH THREAD ADAPTER
6	313255247	$1\frac{1}{2}$ " TANKSAVER (inc. item 7)	16	385310931	KIT, QUICK CONNECT ELBOW (inc. item 14)
7	385311110	SEALING GROMMET 2"	17	385311251	KIT, 90° ELBOW FITTING
8	385311111	1- $\frac{1}{2}$ " SEALING GROMMET	18	385310939	KIT, COMP MTG INSERT HD TANK
9	385311092	SWIVEL ELBOW KIT (inc. item 8 & 14)	19	385311073	KIT, VENT ELBOW-BARBED
10	385311272	KIT, 1-1/2" CLOSED NIP(MACHN)	20	385311112	SEALING GROMMET $3\frac{1}{2}$ "



Dometic
 Dometic Corporation - Sanitation Systems
 13128 State Rt. 226, P.O. Box 38
 Big Prairie, OH44611-0038 USA
 Telephone: 330-496-3211
 Fax: 330-496-3097
 Email: sealand@dometicusa.com

PARTS LIST: 10 GALLON HULL 322721012-322721024

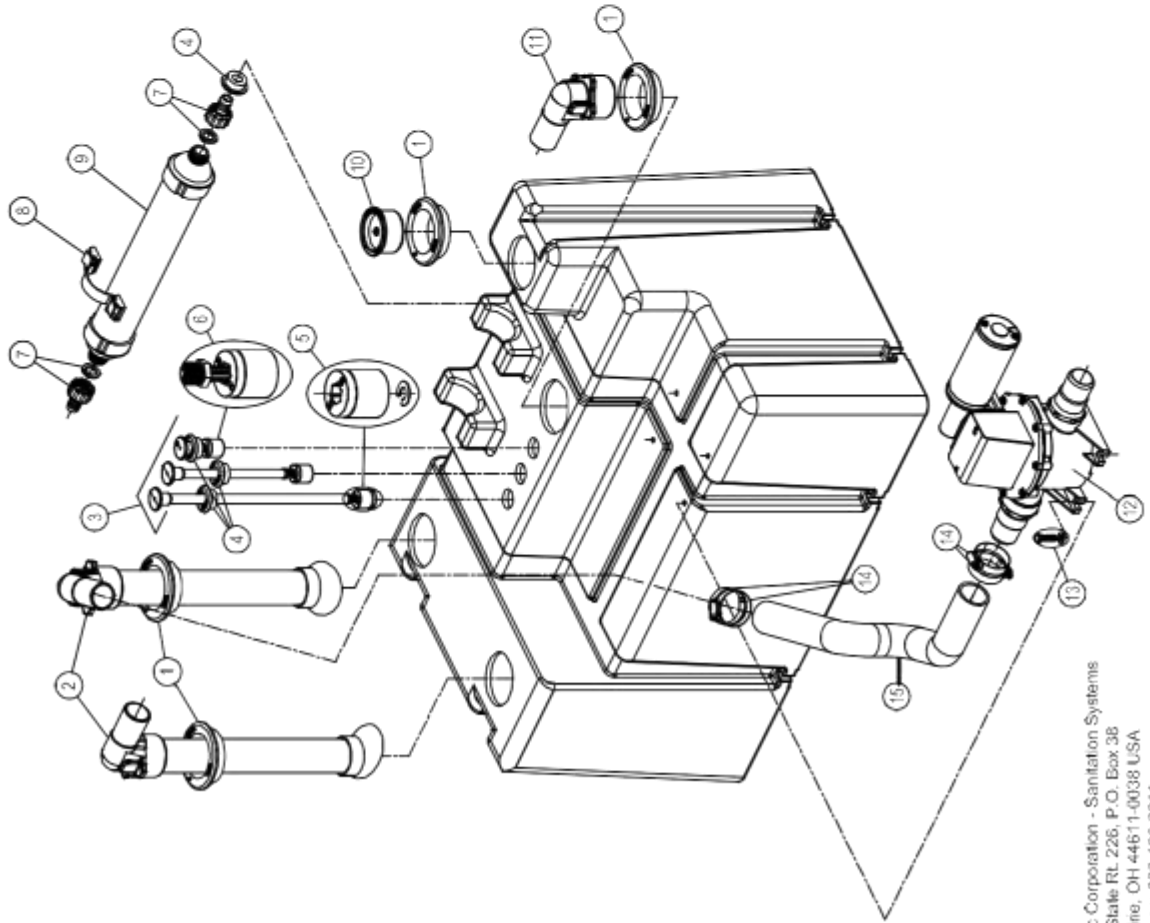
ITEM	PART NO.	DESCRIPTION
1	385310931	QUICK CONNECT FITTING (INC 10)
2	385310660	KIT, DIP TUBE-UNIVERSAL (INC 3)
3	385311110	KIT, SEALING GROMMET 2"
4	313255247	TANKSAVER (INC 3)
5	313900101	FULL FLOAT INDICATOR (INC 21)
6	385311031	MID FLOAT INDICATOR (INC 21)
7	385311032	EMPTY FLOAT INDICATOR (INC 21)
8	385311103	SWITCH FLOAT & LOCK RING
9	385230268	THREADED SWITCH FLOAT & LOCK RING
10	385311233	KIT, SLIP SEAL 1-1/2" REPL
11	385311069	KIT, THR'D ELBOW W/HOSE ADAPT
12	385310635	KIT, INLET ELBOW-UNISEAL (INC 13)
13	385311111	KIT, SEALING GROMMET 1-1/2"
14	385311073	KIT, VENT ELBOW-BARBED (INC 15)
15	385311112	KIT, SEALING GROMMET 3/4"
16	385311029	PUMP TO DIPTUBE TRANS ELBOW KIT (INC 10)
17	385640335	KIT, PUMP ADAPTER FITTING
18	385311163	KIT, MTG HARDWARE PUMP TO TANK
19	313604402	DTM04 PNL ONLY/12VDC RLY-BLK
20	385310930	12VDC PUMP (REV. TOP)
	385311156	24VDC PUMP (REV. TOP)
21	385311164	KIT, SEALING GROMMET 1/2"



125

PARTS LIST: 28 GALLON HTS / 322002812

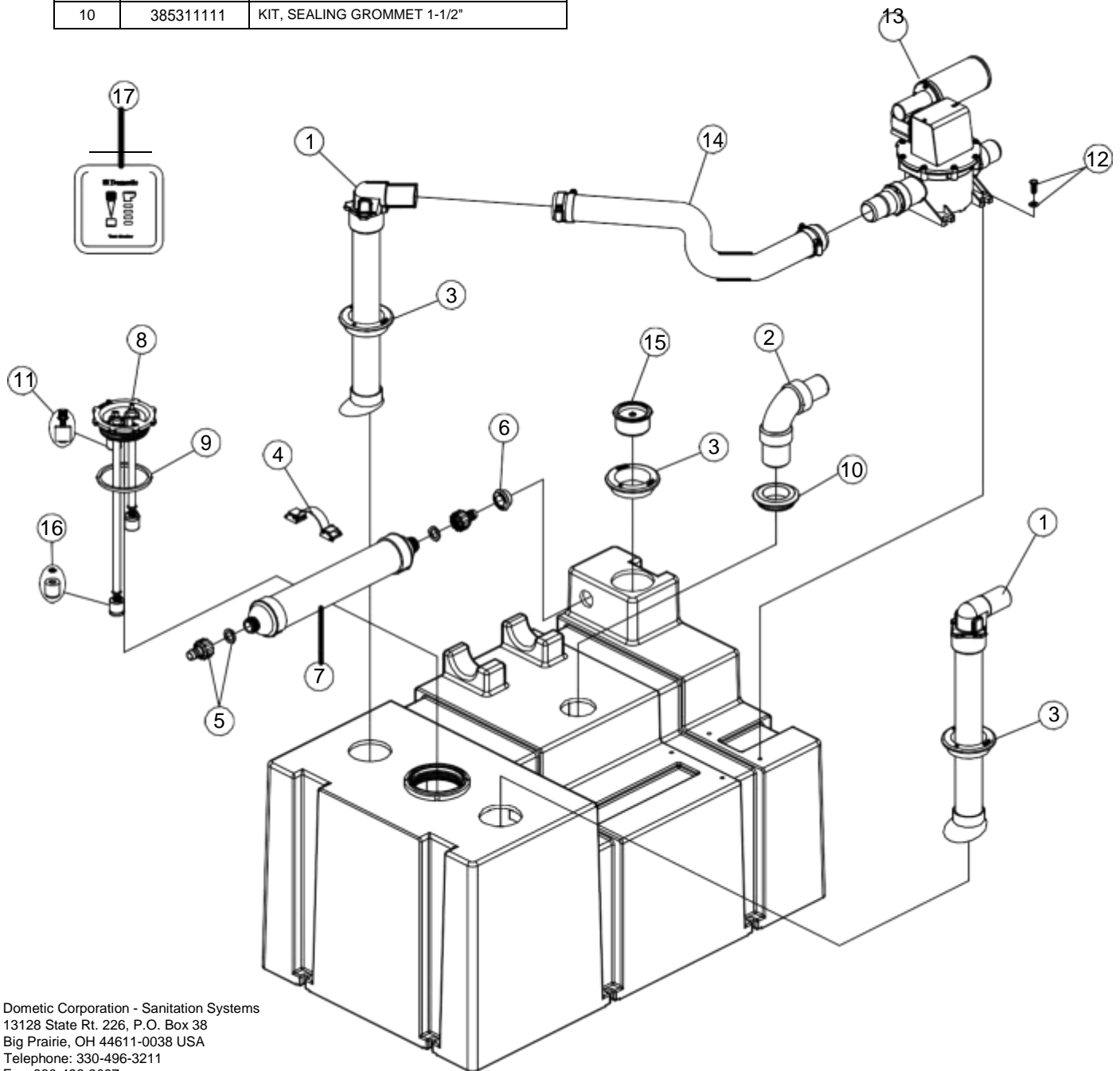
ITEM	PART NUMBER & DESCRIPTION
1	385311110 2" SEALING GROMMET
2	385311573 DIPTUBE ASSEMBLY 90° ELBOW **INCLUDES ITEM 1
3	385311315 TANK LEVELS w/DT CONNECTOR **INCLUDES ITEM 4
4	385311164 1/2" SEALING GROMMET
5	385311103 TANK LEVEL FLOAT & LOCK RING
6	385200268 THREADED STEM/FLOAT REPLACEMENT
7	385310135 VENT FILTER FITTINGS
8	385310673 VENT FILTER MOUNTING KIT
9	309310000 VENT FILTER
10	313255247 TANKSAVER **INCLUDES ITEM 1
11	385311608 1-1/2" INLET ELBOW FITTING **INCLUDES ITEM 1
12	N/A DISCHARGE PUMP **SEE DISCHARGE PUMP LIST.
13	385311163 PUMP MOUNTING HARDWARE
14	385311898 1-1/2" HOSE CLAMP **INCLUDES 2 CLAMPS PER KIT
15	385311089 1-1/2" HOSE REPLACEMENT (24");



Domestic Corporation - Sanitation Systems
13128 State Rt. 226, P.O. Box 38
Bg. Praine, OH 44611-0038 USA
Telephone: 330-496-3211
Fax: 330-496-3057
E-mail: sealand@domesticusa.com

PARTS LIST: 322014012 HTS 40-DTM04/12VDC
322014024 HTS 40-DTM04/24VDC

ITEM	PART NO.	DESCRIPTION	ITEM	PART NO.	DESCRIPTION
1	385311573	KIT, DIPTUBE 90° ELBOW GLUED (INC 3)	11	385230268	KIT, FLOAT/STEM (THREADED)
2	385310635	KIT, INLET ELBOW-UNISEAL (INC. 10)	12	385311163	KIT, MTG HARDWARE PUMP TO TANK
3	385311110	KIT, SEALING GROMMET 2"	13	N/A	SEE PUMP EXPLODED PARTS LIST
4	385310673	KIT, FILTER MOUNTING-HTS	14	385311089	KIT, HD TK 1-1/2" HOSE REPL
5	385310135	KIT, FILTER INSTALLATION	15	313255247	TANK SAVER, 1-1/2" (INC. ITEM 3)
6	385311164	KIT, SEALING GROMMET 1/2"	16	385311103	KIT, SWITCH FLOAT & LOCK RING
7	309310001	HOLDING TANK REPL FILTER	17	313604401	DTM04 PNL ONLY - BLACK
8	385310646	KIT, TW III CAP W/O VENT-40HTS (INC. 9)			
9	385311250	KIT, TW CAP ORING REPL			
10	385311111	KIT, SEALING GROMMET 1-1/2"			

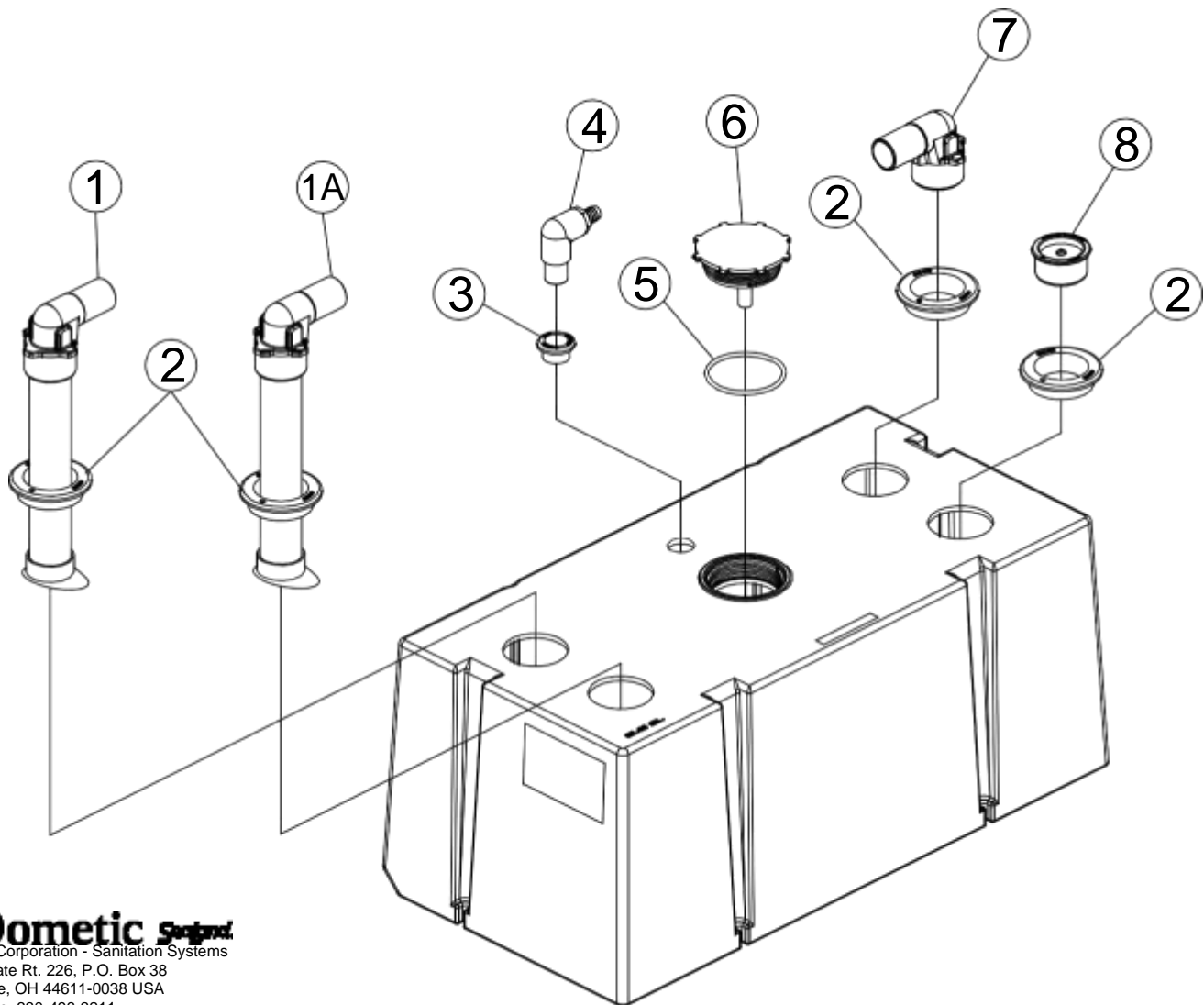


Dometic Corporation - Sanitation Systems
13128 State Rt. 226, P.O. Box 38
Big Prairie, OH 44611-0038 USA
Telephone: 330-496-3211
Fax: 330-496-3097
Email: sealand@dometicusa.com

PARTS LIST:

P/N: 600346052
REV.: 11/08

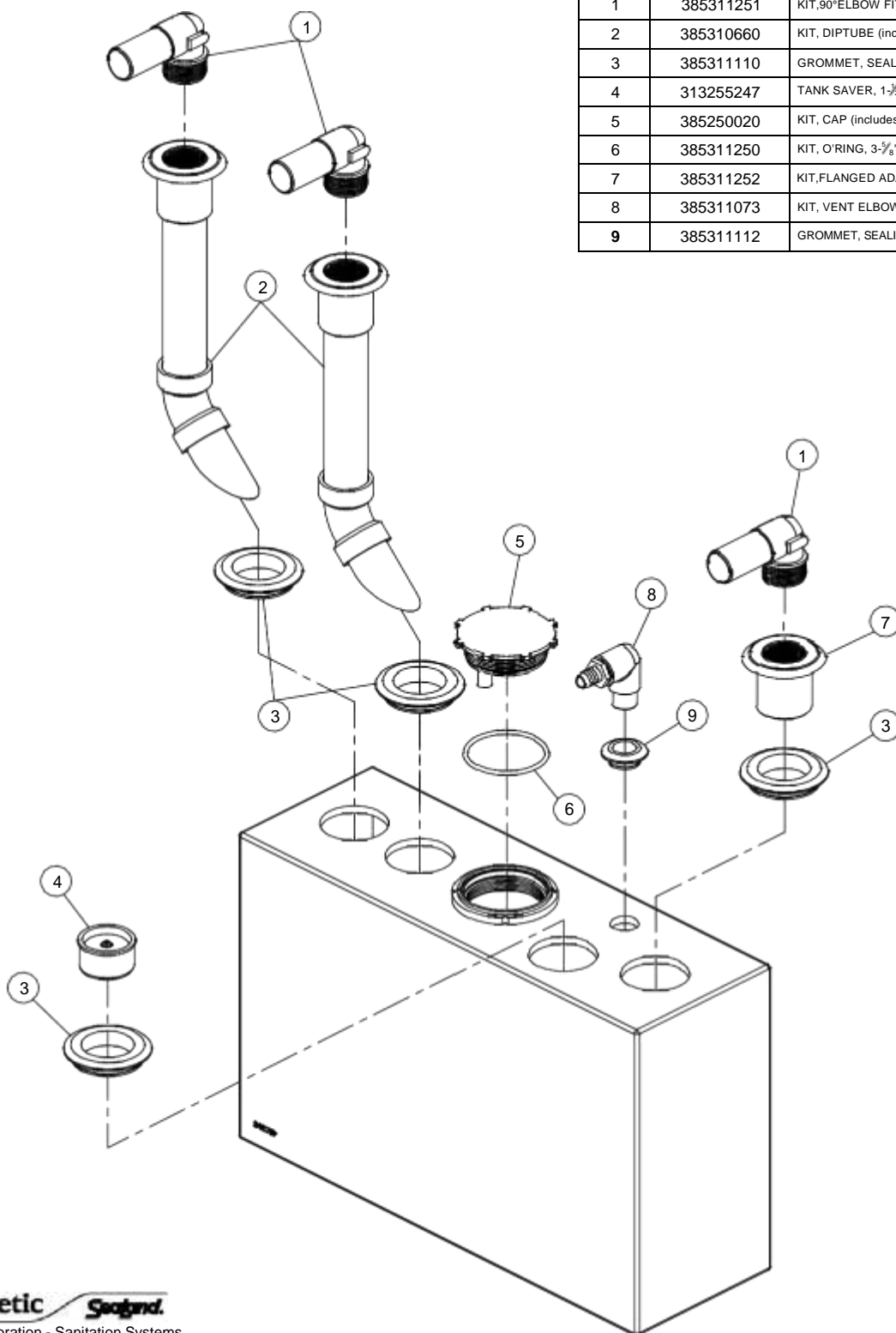
322601101	HD TANK-EU 42L/11G W/CAP		
322601601	HD TANK-EU 61L/16G W/CAP		
322602301	HD TANK-EU 88L/23G W/CAP		
322602901	HD TANK-EU 110L/29G W/CAP		
322603601	HD TANK-EU 137L/36G W/CAP		
LITER	ITEM	PART NO.	DESCRIPTION
42 - 61 - 110	1	385311606	KIT, DIPTUBE/ELBOW/SEAL 9-5/8 (INC.2)
88L - 137L	1A	385311607	KIT, DIPTUBE/ELBOW/SEAL11-3/16 (INC.2)
ALL MODELS	2	385311110	KIT, SEALING GROMMET 2"
ALL MODELS	3	385311112	KIT, SEALING GROMMET 3/4"
ALL MODELS	4	385311073	KIT, VENT ELBOW-BARBED (INC. 3)
ALL MODELS	5	385311250	KIT, TW CAP ORING REP'L
ALL MODELS	6	385250020	KIT, 4010 TANK CAP/O'RING (INC. 5)
ALL MODELS	7	385311608	KIT, INLET ELBOW (1PC)(INC.2)
ALL MODELS	8	313255247	TANKSAVER 1-1/2" (INC. 2)



Dometic Sealand
 Dometic Corporation - Sanitation Systems
 13128 State Rt. 226, P.O. Box 38
 Big Prairie, OH 44611-0038 USA
 Telephone: 330-496-3211
 Fax: 330-496-3097
 Email: sealand@dometicusa.com

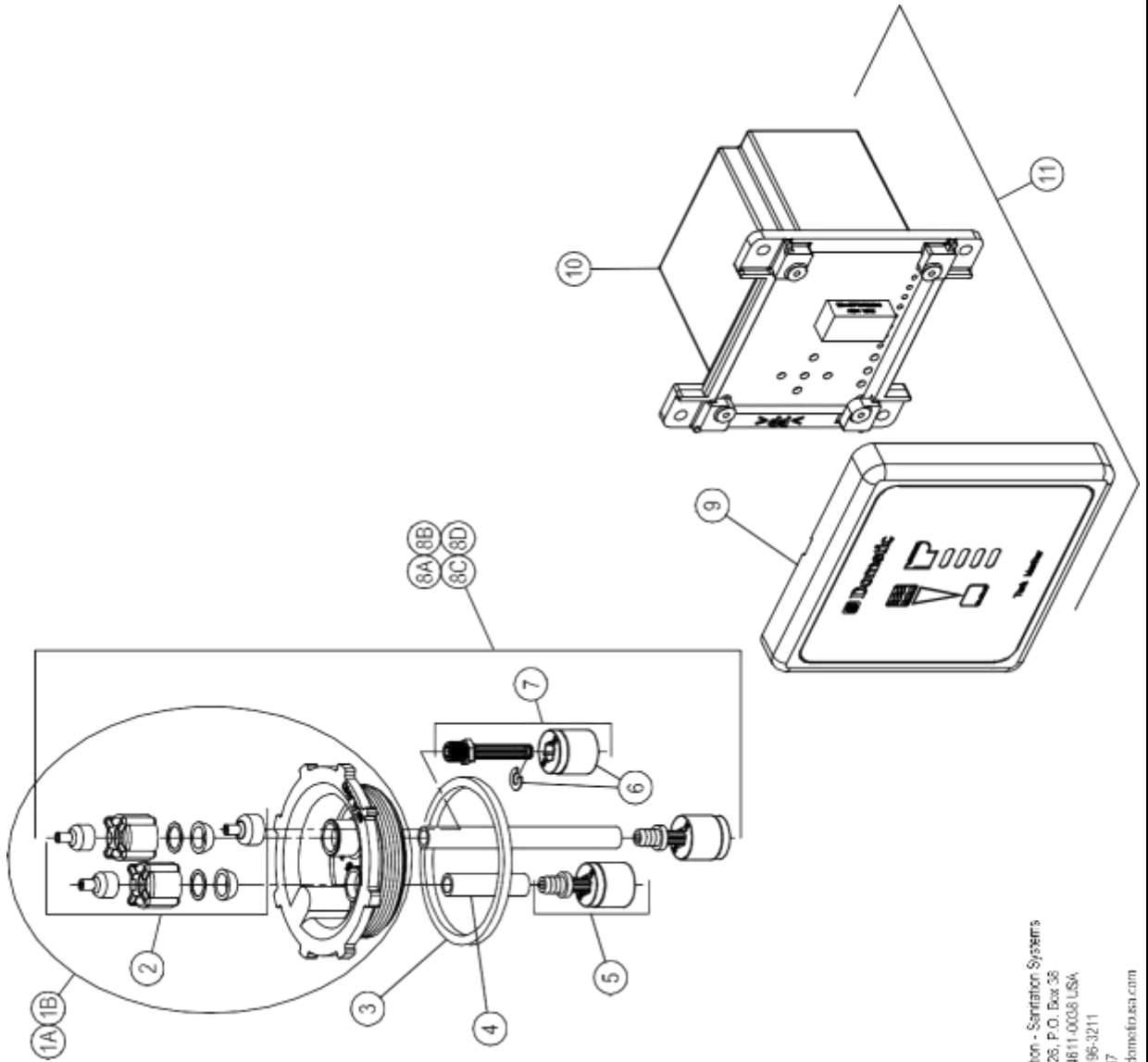
PARTS LIST: MODEL 322840122 HTS BASIC

ITEM	PART NO.	DESCRIPTION
1	385311251	KIT, 90° ELBOW FITTING
2	385310660	KIT, DIPTUBE (includes item 3)
3	385311110	GROMMET, SEALING 2"
4	313255247	TANK SAVER, 1-1/2" (includes item 3)
5	385250020	KIT, CAP (includes item 6)
6	385311250	KIT, O-RING, 3-5/8" OD X 3/16"
7	385311252	KIT, FLANGED ADAPTER FITTING
8	385311073	KIT, VENT ELBOW BARBED
9	385311112	GROMMET, SEALING 3/4"

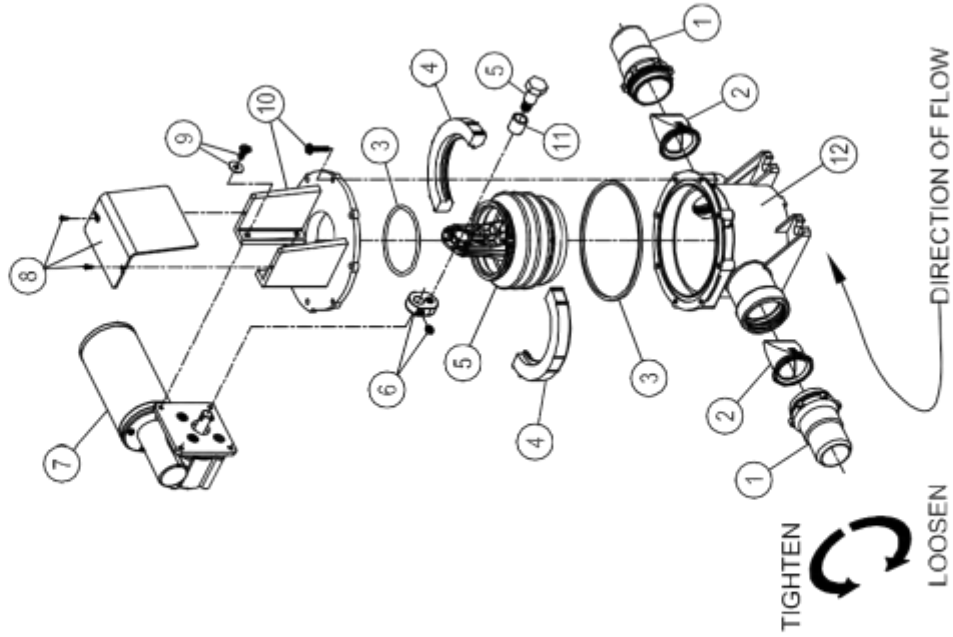


PARTS LIST: DTM04; DMT08; DTM12 MODELS

ITEM	PART NUMBER & DESCRIPTION
1A	385311785 TV CAP ASSEMBLY w/VENT
1B	385311766 TV CAP ASSEMBLY w/o VENT
2	385310258 COMPRESSION NUT KIT
3	385311250 TV CAP O/RING REPLACEMENT
4	385230930 22" FLEX PROBE KIT
5	385310758 BARBED STEM/FLOAT REPLACEMENT
6	385311103 TANK LEVEL FLOAT & LOCK RING
7	385230286 THREADED STEM/FLOAT REPLACEMENT
8A	313000350 TV CAP COMPLETE w/VENT
8B	313000355 TV CAP COMPLETE w/o VENT
8C	313000345 TV CAP COMPLETE w/VENT 45" PROBES
8D	313000346 TV CAP COMPLETE w/o VENT 45" PROBES
9	385311477 PANEL COVER DTM04 - BLACK
	385311478 PANEL COVER DTM04 - WHITE
	385311479 PANEL COVER DTM08 - BLACK
	385311480 PANEL COVER DTM08 - WHITE
10	385311481 PANEL COVER DTM12 - BLACK
	385311482 PANEL COVER DTM12 - WHITE
	385311483 C-ROUT BOARD PANEL - DTM04
11	385311484 C-ROUT BOARD PANEL - DTM08
	385311485 C-ROUT BOARD PANEL - DTM12
	313604401 DTM04 PANEL ONLY - BLACK
NOT SHOWN	313604411 DTM04 PANEL ONLY - WHITE
	313608401 DTM08 PANEL ONLY - BLACK
	313608411 DTM08 PANEL ONLY - WHITE
	313612401 DTM12 PANEL ONLY - BLACK
	313612411 DTM12 PANEL ONLY - WHITE
	385311579 12VDC SHUTDOWN RELAY KIT (DTM04 ONLY)
	385311580 24VDC SHUTDOWN RELAY KIT (DTM04 ONLY)



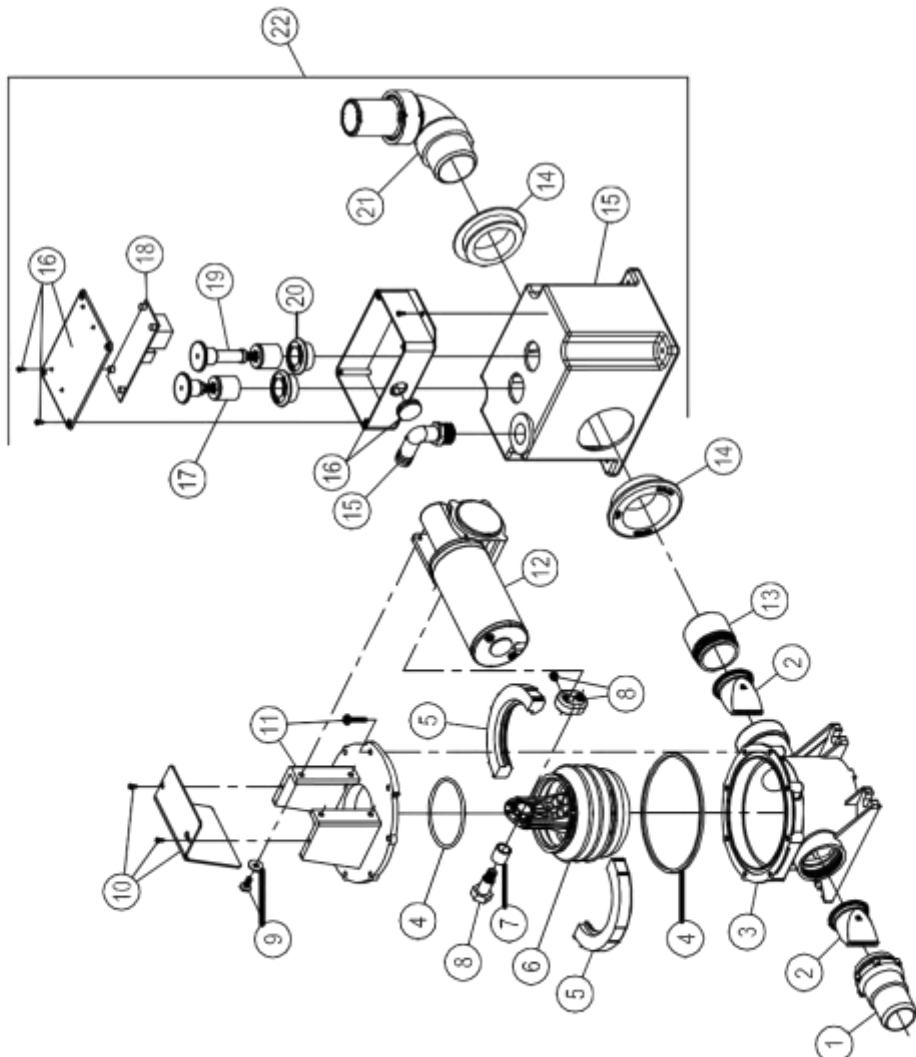
PARTS LIST: TW-DISCHARGE PUMP



ITEM	PART NUMBER & DESCRIPTION
1	385311843 VALVE NIPPLE
2	3853 0076 1-1/2" DUCKBILL VALVE
3	385310151 O'RING REPLACEMENT KIT
4	385311226 BELLOWS CLAMP KIT
5	385230980 BELLOWS ASSEMBLY **INCLUDES ITEM 11.
6	385310644 ECCENTRIC KIT
7	385311065 12VDC MOTOR 385311066 24VDC MOTOR **INCLUDES ITEM 5.
8	385311422 PUMP COVER KIT
9	385311224 MOTOR MOUNTING HARDWARE
10	385311225 PUMP TOP CLOSURE KIT
11	385310242 BELLOWS BUSHING
12	385311858 PUMP BODY
N/S	385310250 PUMP ASSEMBLY LESS MOTOR **INCLUDES ITEMS 1-6; 8; 10-12

Domestic Corporation - Sanitation Systems
 13128 State Rt. 226, P.O. Box 38
 Big Prairie, OH 44611-0038 USA
 Telephone: 330-496-3211
 Fax: 330-496-3057
 Email: sealand@domesticusa.com

PARTS LIST: SANISUMP



ITEM	PART NUMBER & DESCRIPTION
1	385311843 VALVE NIPPLE
2	385310076 1-1/2" DUCKBILL VALVE
3	385311858 PUMP BODY
4	385310151 O'RING REPLACEMENT KIT
5	385311226 BELLOWS CLAMP KIT
6	385230980 BELLOWS ASSEMBLY **INCLUDES ITEM 7.
7	385310242 BELLOWS BUSHING
8	385310644 ECCENTRIC KIT
9	385311224 MOTOR MOUNTING HARDWARE
10	385311422 PUMP COVER KIT
11	385311225 PUMP TOP CLOSURE KIT
12	385310756 12VDC MOTOR 385340757 24VDC MOTOR
13	385640335 PUMP INLET FITTING
14	385311111 1-1/2" SEALING GROMMET
15	385310583 SANISUMP TANK MACHINED
16	385310650 SANISUMP ELECTRICAL ENCLOSURE
17	TANK FULL LEVEL **INCLUDES ITEM 20.
18	385310659 CIRCUITBOARD ASSEMBLY 12VDC 385310721 CIRCUITBOARD ASSEMBLY 24VDC
19	385310582 EMPTY TANK LEVEL **INCLUDES ITEM 20.
20	385311164 1/2" SEALING GROMMET
21	385311101 INLET ELBOW KIT **INCLUDES ITEM 14.
22	385310584 SANISUMP ASSY LESS PUMP 12VDC 385310649 SANISUMP ASSY LESS PUMP 24VDC



Notes



Sealand[®]

Dometic Corporation, Sanitation Division

L-2934

Print Date October 18, 2012