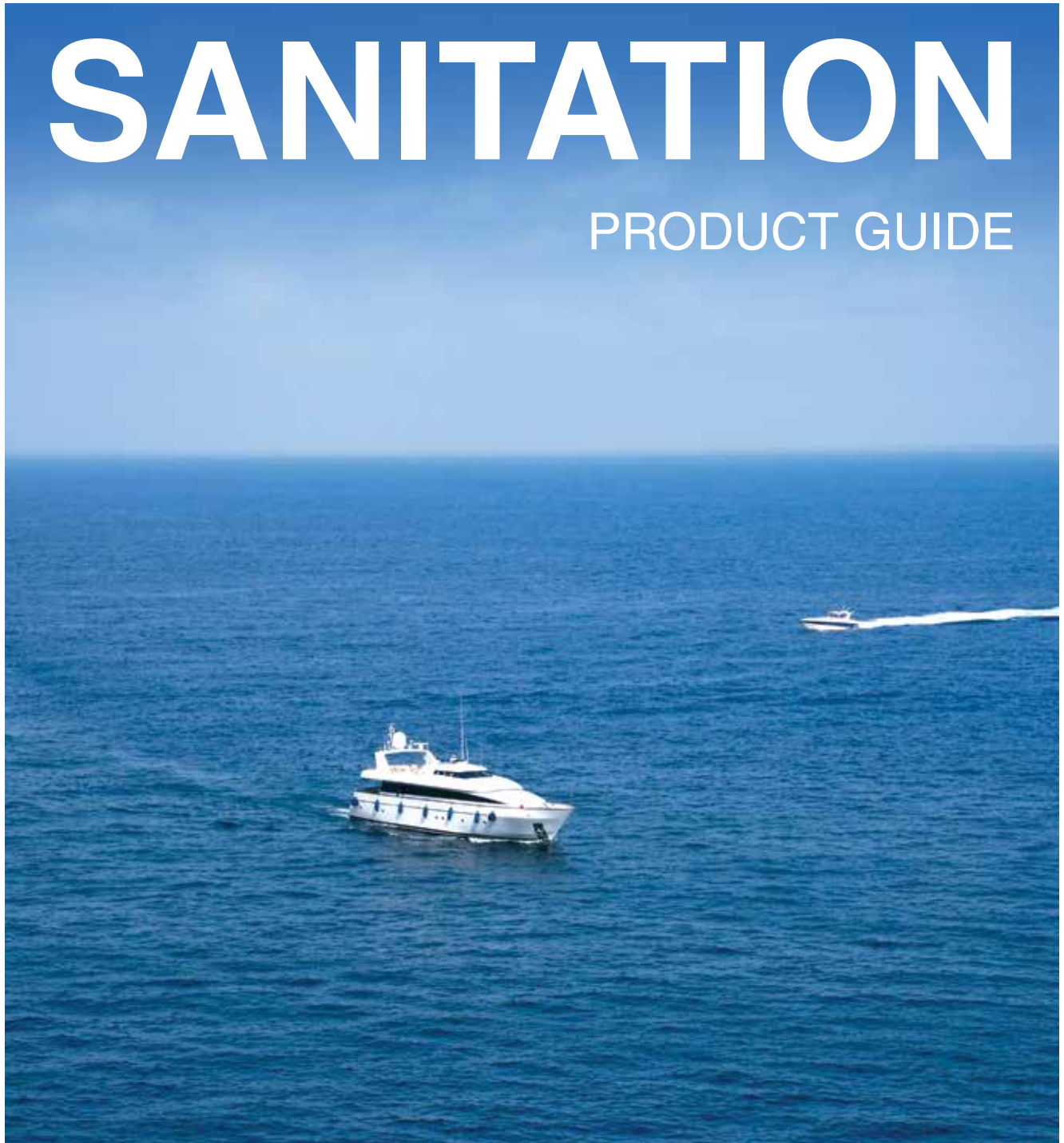


INSPIRED BY COMFORT



# SANITATION

## PRODUCT GUIDE



Includes Specification Sheets for:

**All-Ceramic MasterFlush® Toilets, All-Ceramic RushFlush® Toilets,  
SeaLand Gravity-Flush Toilets and Dometic Portable Toilets**

**Plus: SeaLand Holding Tank Systems, Marine Toilet System Components,  
Accessories and Replacement Parts, and Convenience Products**

Lit. ID#	Revision Date	Description	Page
<b>MASTERFLUSH® TOILETS</b>			
2915	10/2014	8900 Series Macerator Toilets	3
2914	10/2014	8700 Series Macerator Toilets	5
2913	10/2014	8600 Series Macerator Toilets	7
2912	10/2014	8100 Series Macerator Toilets	9
2943	10/2014	7100 and 7200 Series Macerator Toilets	11
2916	10/2014	MasterFlush® Toilet Flush Switches, Indicators, Status Panels	13
<b>RUSHFLUSH® TOILETS</b>			
2935	10/2014	RushFlush® Toilets	15
<b>GRAVITY-DISCHARGE TOILETS</b>			
2918	01/2011	4300-4400 Series SeaLand® Toilets	17
2917	09/2010	500 and 700 Series SeaLand® Toilets	19
<b>PORTABLE TOILETS</b>			
2930	01/2011	Dometic Portable Marine Toilets	21
<b>HOLDING TANK SYSTEMS</b>			
2919	10/2010	HTS SeaLand® Holding Tank Systems	23
2920	10/2010	DHT-L Series SeaLand® Holding Tanks	25
<b>TOILET SYSTEM COMPONENTS</b>			
2921	09/2010	SeaLand® DTM Series Tank Monitor Systems	27
2922	10/2014	SeaLand® DTD Series Tank Discharge Controls	29
2926	12/2010	SeaLand® Waste Discharge Pump	31
2944	10/2014	SeaLand® ECO Holding Tank Vent Filter <b>NEW IN 2015</b>	32
2925	07/2011	SeaLand® SaniGard Holding Tank Vent Filter	33
2927	01/2011	SeaLand® Sanitation Hoses	34
2927	05/2014	SeaLand® Plumbing Fittings and Valves	35
<b>ACCESSORIES &amp; REPLACEMENT PARTS</b>			
2926	10/2014	SeaLand® Holding Tank Accessories	36
2929	04/2011	SeaLand® Marine Toilet Parts	37
2928	10/2014	SeaLand® Convenience Products	39

# 8900 Series Macerator Toilets

Simple elegance. Unlimited possibilities.



Model 8979 MasterFlush toilet with standard Dometic flush touchpad

One luxurious look – with many designer-friendly options. That summarizes the distinct advantage of SeaLand 8900 series macerator toilets powered with MasterFlush® technology.

SeaLand 8900 series MasterFlush® toilets provide an abundance of features to satisfy diverse owner preferences and meet virtually any boatbuilder requirement. The contemporary shape features a compact footprint to fit in most any head compartment. 8900 series toilets include a “soft-close” seat action, and come in low-profile and standard-height units. Discriminating owners may choose from additional options: toilet or toilet/bidet combination unit; white or bone colors.

Two flush settings help manage water use. The “Normal” flush setting consumes 0.67 gal. (2.54 liters) of water and adds water to the bowl after every flush. “Low” flushing uses only 0.17 gal. (0.64 liters) per flush and very little water remains in the bowl.

The ceramic styling of the 8900 series matches that of our highly popular 4800 series VacuFlush® toilets. This advantage provides boat designers the added ability to offer choices in toilet technology across all boat model lines without altering the decor or floor plans of the baths.

## Key Benefits

- Powerful macerator flush
- Small footprint – fits in most any head compartment
- Standard and low-profile heights
- Through-the-floor and through-the-wall discharge fittings
- Toilet only or toilet/bidet combination models
- “Soft close” seat hinge
- “Normal” or “Low” flush options
- Dometic electronic touchpad, standard
- Vimar or Gewiss compatible switch, optional (order separately)
- 12 V DC or 24 V DC operation
- Fits in same footprint as 4800 series VacuFlush® toilet



Toilet/bidet models combine electronic-flush operation with manually controlled, variable temperature bidet wash. Features gentle, aerated water flow.

## Specifications for 8900 Series MasterFlush® Toilets

MODEL	DESCRIPTION	VOLTAGE
8939	Low-profile macerator toilet with touchpad flush control*	12 V or 24 V DC
8979	Standard-height macerator toilet with touchpad flush control*	12 V or 24 V DC
8949	Low-profile height macerator toilet/bidet combination with touchpad flush control*	12 V or 24 V DC
8989	Standard-height macerator toilet/bidet combination with touchpad flush control*	12 V or 24 V DC
4802	Low-profile manual bidet (complements 8900 styling)	–
4801	Standard-height manual bidet (complements 8900 styling)	–

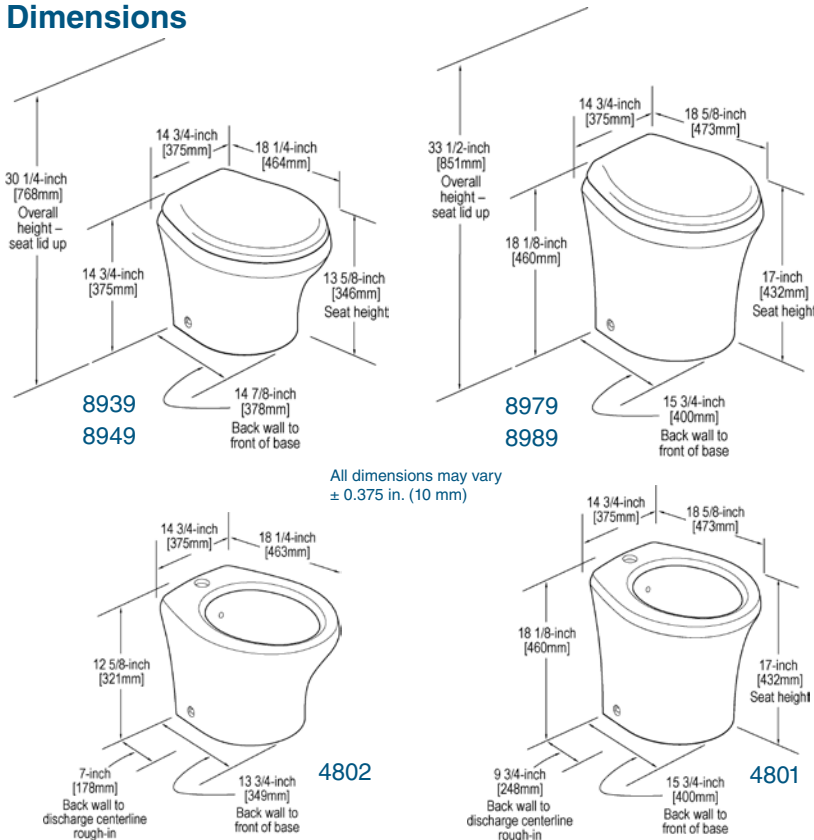
\* DFT touchpad flush switch is included with all toilet models. Optional DFS or DFP flush switch must be ordered separately. Toilet-only and bidet-only fixtures available in white or bone colors. Toilet/bidet models available in white. See price list for all toilet item numbers. Specifications subject to change without notice.

ELECTRICAL	Circuit breaker	20 amps/12 V DC; 15 amps/24 V DC
	Wiring	12 ga. (up to 20 ft./6.1 m from breaker)
WATER SUPPLY	Fitting	0.5 in. NPT
	Flow rate	2.0 gpm/7.6 lpm min. at toilet
DISCHARGE	ID	1.5 in./38 mm or 1 in./25 mm minimum
	Horizontal run*	98 ft./30 m maximum
	Vertical run*	9.8 ft./3 m maximum
	Tank capacity	30 gal./114 liters recommended
REQUIRED COMPONENTS	Electric flush switch**	Dometic DFT, DFS or DFP model

\* Horizontal and vertical run distances are not cumulative. Check for adequate discharge flow if installation nears one of these limits.

\*\* DFS or DFP model must be purchased separately. Specifications subject to change without notice.

### Dimensions



### Dometic Flush Touchpad



Standard DFT panel includes “add water” and “flush” functions, “power on” and “full tank” indicator lights. Also available in white. Ships with toilet unless specified otherwise.

### Dometic Flush Switches (for Vimar, Gewiss trim)



Optional Dometic flush switch panels feature backlit push buttons for easy use, even in low light.

DFS model includes a generic frame, or can be fitted with a Vimar Idea, Vimar Eikon, or Gewiss Chorus frame.

DFP model accommodates a Gewiss Playbus frame.

DFS or DFP models must be ordered separately from toilet.

See page 13 for Flush Switch details.

### Flush Settings

Change from “Normal” to “Low” flush option by pressing “flush” switch for about five seconds. When “power on” light begins flashing, release “flush” switch. Flush setting has been changed. Change back to “Normal” setting in the same manner.

# 8700 Series Macerator Toilets

Premium elegance and comfort



8700 series  
MasterFlush toilet with  
electronic flush handle

8700 series  
MasterFlush toilet with  
standard Dometic flush  
touchpad

For the look, feel and user-friendly performance of an upscale residential toilet, SeaLand 8700 series macerator toilets, powered with MasterFlush® technology, deliver it all.

Discriminating boat owners will appreciate the full-scale residential styling, complete with elongated wood seat and lustrous, sparkling ceramic finish. The robust effluent macerator operates 30 percent more efficiently than previous Dometic macerator models.

SeaLand 8700 series MasterFlush toilets provide an abundance of features to satisfy diverse owner preferences and boatbuilder requirements. 8700 series toilets come in standard-height units with above-floor or below-floor discharge options. Electronic flushing can be activated by either a residential-style handle or wall-mounted switch. Additional options include a choice of white or bone colors.

8700 series macerator toilets offer two flush settings to help manage water use. The "Normal" flush setting consumes 0.83 gal. (3.14 liters) of water and adds water to the bowl after every flush. "Low" flushing uses only 0.21 gal. (0.79 liters) per flush and very little water remains in the bowl.

## Key Benefits

- Powerful macerator flush
- Standard height models with full-size residential-style bowl and seat
- Ultra-quiet – integral water trap reduces macerator sound
- Through-the-floor and through-the-wall discharge fittings
- "Normal" or "Low" flush options
- Dometic electronic touchpad, standard (wall-switch toilet models only)
- Vimar or Gewiss compatible switch, optional (order separately)
- 12 V DC or 24 V DC operation

## Specifications for 8700 Series MasterFlush® Toilets

MODEL	DESCRIPTION	FLUSH CONTROL	VOLTAGE
8743	Standard-height, flat-back, all-ceramic macerator toilet	Wall-mounted flush touchpad*	12 V or 24 V DC
8740	Standard-height, flat-back, all-ceramic macerator toilet	Electronic flush handle on toilet**	12 V or 24 V DC

\* DFT touchpad flush switch is included with 8743 models. Optional DFS or DFP flush switch must be ordered separately.  
 \*\* Flush handle available in chrome, gold, or nickel finish.  
 Toilets available in white or bone colors. See price list for all toilet item numbers.  
 Specifications subject to change without notice.

## Minimum System Requirements

ELECTRICAL	Circuit breaker	20 amps/12 V DC; 15 amps/24 V DC
	Wiring	12 ga. (up to 20 ft./6.1 m from breaker)
WATER SUPPLY	Fitting	0.5 in. NPT
	Flow rate	2.5 gpm/ 9.5 lpm min. at toilet
	Max. flow pressure	40 PSI/276 kPa
DISCHARGE	ID	1.5 in./38 mm or 1 in./25 mm minimum
	Horizontal run*	98 ft./ 30 m maximum
	Vertical run*	9.8 ft /3 m maximum
	Tank capacity	30 gal./114 liters recommended
REQUIRED COMPONENTS	Electric flush switch**	Dometic DFT, DFS or DFP model

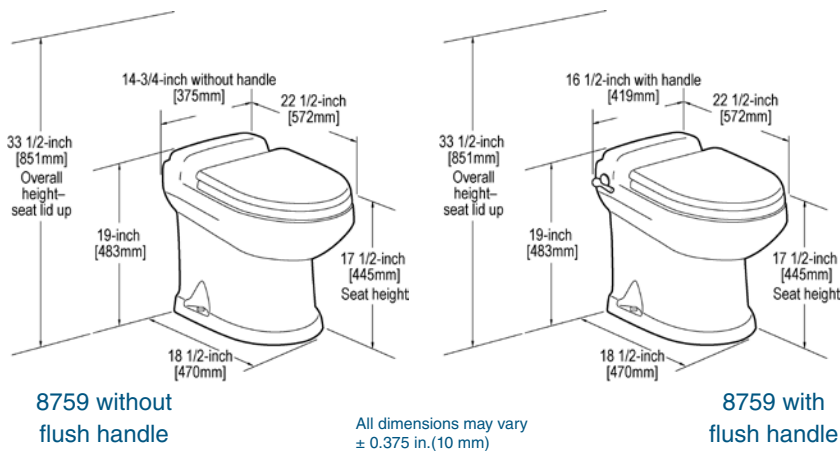
\* Horizontal and vertical run distances are not cumulative. Check for adequate discharge flow if installation nears one of these limits.

\*\* DFS or DFP model must be purchased separately.  
 Specifications subject to change without notice.

## Flush Settings

Change from “Normal” to “Low” flush option by pressing “flush” switch for about five seconds. When “power on” light begins flashing, release “flush” switch. Flush setting has been changed. Change back to “Normal” setting in the same manner.

## Dimensions



## Dometic Flush Touchpad



**Standard DFT panel** includes “add water” and “flush” functions, “power on” and “full tank” indicator lights. Also available in white. Ships with toilet unless specified otherwise.

## Dometic Flush Switches (for Vimar, Gewiss trim)



Optional Dometic flush switch panels feature backlit push buttons for easy use, even in low light.

**DFS model** includes a generic frame, or can be fitted with a Vimar Idea, Vimar Eikon, or Gewiss Chorus frame.

**DFP model** accommodates a Gewiss Playbus frame.

DFS or DFP models must be ordered separately from toilet.

See page 13 for Flush Switch details.

## Flush Settings

Change from “Normal” to “Low” flush option by pressing “flush” switch for about five seconds. When “power on” light begins flashing, release “flush” switch. Flush setting has been changed. Change back to “Normal” setting in the same manner.



# 8600 Series Macerator Toilets

Bringing style, quality and versatility together



Model 8640  
MasterFlush toilet with  
standard Dometic flush  
touchpad

Rarely does one marine toilet fit a wide array of floor plans with equal ease. With the choice of heights, colors, flush controls and discharge plumbing, the SeaLand 8600 series of MasterFlush® toilets from Dometic now allows boatbuilders to install a fixture of unparalleled performance in virtually any bath.

The contemporary shape features a flat back to accommodate installation against interior walls. 8600 series toilets come in low-profile and standard-height units. Discriminating owners may choose from additional options: toilet or toilet/bidet combination units; white or bone colors.

SeaLand 8600 series macerator toilets offer two flush settings to help manage water use. The "Normal" flush setting consumes 0.67 gal. (2.54 liters) of water and adds water to the bowl after every flush. "Low" flushing uses only 0.17 gal. (0.64 liters) per flush and very little water remains in the bowl.

The ceramic styling of the SeaLand 8600 series matches that of 4600 series VacuFlush® toilets. This advantage provides boat designers the added ability to offer choices in toilet technology across boat model lines without altering the decor or floor plans of the baths.



Toilet/bidet models combine electronic-flush operation with manually controlled, variable temperature bidet wash. Features gentle, aerated water flow.

## Key Benefits

- Powerful macerator flush
- Flat back-style ceramic fixture – fits nicely against interior walls
- Standard and low-profile heights
- Ultra-quiet – integral water trap reduces macerator sound
- Toilet only or toilet/bidet combination
- Through-the-floor and through-the-wall discharge fittings
- "Soft close" seat action
- "Normal" or "Low" flush options
- Dometic electronic touchpad, standard (wall-switch toilet models only)
- Vimar or Gewiss compatible switch, optional (order separately)
- 12 V DC or 24 V DC operation

## Specifications for 8600 Series MasterFlush® Toilets

MODEL	DESCRIPTION	VOLTAGE
8639	Low-profile macerator toilet with touchpad flush control*	12 V or 24 V DC
8649	Low-profile height macerator toilet/bidet combination with touchpad flush control*	12 V or 24 V DC
8640	Standard-height macerator toilet with touchpad flush control*, bottom discharge	12 V or 24 V DC
8689	Standard-height macerator toilet/bidet combination with touchpad flush control*	12 V or 24 V DC

\* DFT touchpad flush switch is included with all models. Optional DFS or DFP flush switch must be ordered separately. Toilet-only fixtures available in white or bone colors. Toilet/bidet models available in white. See price list for all toilet item numbers. Specifications subject to change without notice.

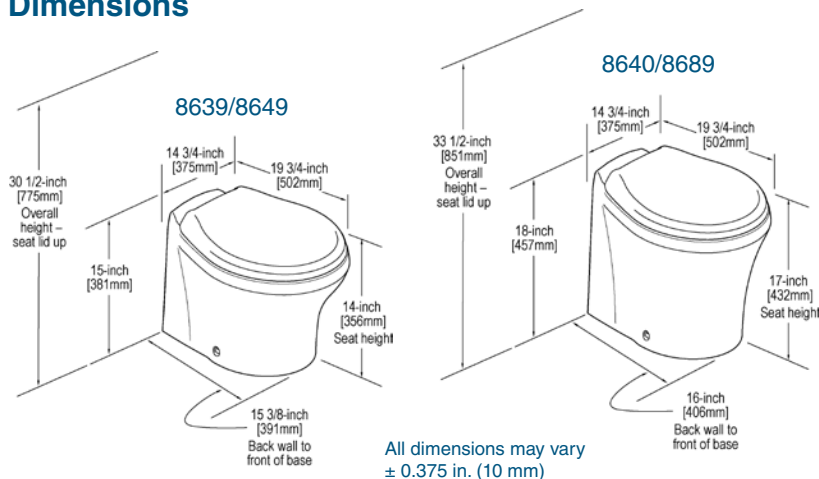
### Minimum System Requirements

ELECTRICAL	Circuit breaker	20 amps/12 V DC; 15 amps/24 V DC
	Wiring	12 ga. (up to 20 ft./6.1 m from breaker)
WATER SUPPLY	Fitting	0.5 in. NPT
	Flow rate	2.0 gpm/7.6 lpm min. at toilet
DISCHARGE	ID	1.5 in./38 mm or 1 in./25 mm minimum
	Horizontal run*	98 ft./30 m maximum
	Vertical run*	9.8 ft./3 m maximum
	Tank capacity	30 gal./114 liters recommended
REQUIRED COMPONENTS	Electric flush switch**	Dometic DFT, DFS or DFP model

\* Horizontal and vertical run distances are not cumulative. Check for adequate discharge flow if installation nears one of these limits.

\*\* DFS or DFP model must be purchased separately. Specifications subject to change without notice.

### Dimensions



### Dometic Flush Touchpad



Standard DFT panel includes “add water” and “flush” functions, “power on” and “full tank” indicator lights. Also available in white. Ships with toilet unless specified otherwise.

### Dometic Flush Switches (for Vimar, Gewiss trim)



Optional Dometic flush switch panels feature backlit push buttons for easy use, even in low light.

DFS model includes a generic frame, or can be fitted with a Vimar Idea, Vimar Eikon, or Gewiss Chorus frame.

DFP model accommodates a Gewiss Playbus frame.

DFS or DFP models must be ordered separately from toilet.

See page 13 for Flush Switch details.

### Flush Settings

Change from “Normal” to “Low” flush option by pressing “flush” switch for about five seconds. When “power on” light begins flashing, release “flush” switch. Flush setting has been changed. Change back to “Normal” setting in the same manner.



# 8100 Series Macerator Toilets

Great performance. Great value.



For a powerful macerator toilet in an easy-to-install, easy-to-use fixture, the SeaLand 8100 series of MasterFlush® toilets offers an alternative with appealing value. The electric toilet and flush control panel are the only components to install – no external control module is necessary.

SeaLand 8100 series macerator toilets provide two flush settings to help manage water use. The “Normal” flush setting adds water to the bowl after every flush, and “Dry Bowl” flushing does not add water to the bowl. Because flushes are controlled by how long the flush button is pressed, the average consumption per flush is estimated at 0.33 gallons (1.25 liters). Water can also be added to the bowl when desired.



User comfort is enhanced with a solid wood, elongated seat. Two heights are available – standard residential toilet height and a low-profile design that accommodates raised platform installations. Each model includes discharge fittings for through-the-floor or above-floor plumbing.

## Key Benefits

- Powerful macerator flush
- Small footprint – fits in most any head compartment
- Standard and low-profile heights
- Through-the-floor and through-the-wall discharge fittings
- Solid wood seat with elongated opening.
- “Normal” and “Dry Bowl” flush options; “Add Water” feature included
- Convenient electronic flush switch panel
- 12 V DC or 24 V DC operation
- Available in white

## Specifications for 8100 Series MasterFlush® Toilets

MODEL	DESCRIPTION	VOLTAGE
8112	Low-profile macerator toilet with DFST flush switch panel	12 V DC
8116	Low-profile macerator toilet with DFST flush switch panel	24 V DC
8152	Standard-height macerator toilet with DFST flush switch panel	12 V DC
8156	Standard-height macerator toilet with DFST flush switch panel	24 V DC

See price list for all toilet item numbers.  
Specifications subject to change without notice.

## Minimum System Requirements

ELECTRICAL	Circuit breaker	20 amps/12 V DC; 15 amps/24 V DC
	Wiring	12 ga. (up to 20 ft./6.1 m from breaker)
WATER SUPPLY	Fitting	0.5 in. NPT
	Flow rate	2.0 gpm/7.6 lpm min. at toilet
DISCHARGE	Fitting	1.5 in. NPT
	Horizontal run*	98 ft./30 m maximum
	Vertical run*	9.8 ft./3 m maximum
	Tank capacity	30 gal./114 liters recommended

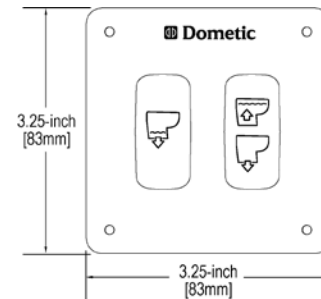
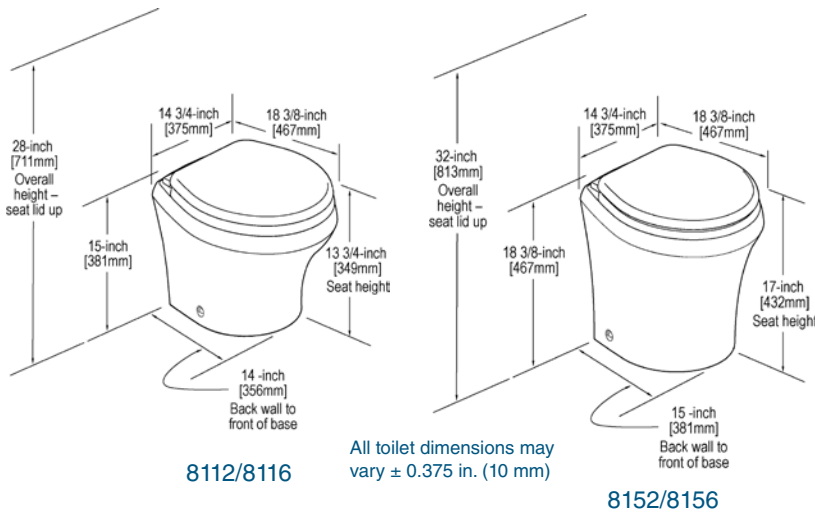
\* Horizontal and vertical run distances are not cumulative. Check for adequate discharge flow if installation nears one of these limits.  
Specifications subject to change without notice.

## MasterFlush Switch Panel



Model DFST MasterFlush panel includes “normal flush” switch on left side, “add water” and “dry bowl flush” functions on right side.

## Dimensions

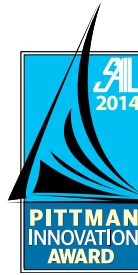


# 7100 and 7200 Series Macerator Toilets

Innovative ORBIT base accommodates any plumbing angle



MasterFlush 7220 Toilet with compact marine bowl, in White color



MasterFlush 7120 Toilet with residential-style seat and bowl, in Bone color

## Maximum Installation Flexibility

Fitting a standard marine toilet in a small boat usually meant sacrificing comfort and appearance for the sake of fit and function. However, Dometic's latest engineering innovation – Omnidirectional Rotating Base Installation Technology (ORBIT) – puts a whole new spin on basic marine heads with the new MasterFlush 7100 and 7200 series of toilets.

By providing a full 360 degrees of bowl-to-base rotation, the ORBIT base can be positioned in any configuration to maximize even the smallest installation space and accommodate diverse plumbing layouts.



## 7100 Series Toilets Offer Premium Comfort for the Boatowner

Employing the same large enameled seat and deep ceramic bowl size of a residential round-front toilet, the 7100 toilet series introduces a new path to better comfort for owners of small boats. Smoothly contoured seat-to-bowl design conveys an expensive look – without the extra cost. The deep, rounded bowl also results in splash-resistance during use and while underway.

If a lower toilet height is desired, the compact size of the 7200 series bowl is 1.5 in. (38 mm) lower than the 7100 series to accommodate tighter space considerations.

## Most Effective Waste Maceration

As with all Dometic MasterFlush toilets, 7100 and 7200 series toilets assure trouble-free, odor-free performance by virtue of unmatched maceration effectiveness. A rugged, glass-filled nylon twin impeller instantly draws effluent into the macerating chamber, where the 10-blade stainless steel cutting wheel pulverizes waste and ejects it to the discharge line/holding tank.

## Key Benefits

- Full 360-degree bowl-to-base rotation allows virtually limitless positioning to accommodate small spaces and diverse plumbing layouts
- Small footprint to fit in tight spaces
- Dual-stage impeller/macerator cutting wheel pulverizes waste for most thorough waste tank pump-out
- Standard single-function “flush” switch; or optional triple-function “flush/add water/dry bowl” switch (freshwater flush models only)
- Flushes on as little as 1/3-gallon (1.2 l) of fresh water
- Integrated electric water valve on freshwater models
- Draws only 20 amps at 12 V DC; 10 amps at 24 V DC
- Freshwater and raw water flush models available
- Available in White or Bone colors
- 7100 series has large residential-style seat and bowl for premium comfort
- 7200 series has compact marine bowl



Residential-style seat and bowl of the MasterFlush 7100 series is the largest among basic macerator toilets.

## Model Specifications for MasterFlush® Toilets with ORBIT Base Design

MODEL	DESCRIPTION	VOLTAGE	WEIGHT*
7120	Medium-height electric macerator toilet, residential round-front bowl, DFS-1F flush switch	12 V or 24 V DC	35 lbs./ 15.9 kg
7160	Medium-height electric macerator toilet, residential round-front bowl, DFS-1F flush switch	12 V or 24 V DC	35 lbs./ 15.9 kg
7220	Low-profile electric macerator toilet, compact marine bowl, DFS-1F flush switch	12 V or 24 V DC	35 lbs./ 15.9 kg
7260	Low-profile electric macerator toilet, compact marine bowl, DFS-1F flush switch	12 V or 24 V DC	35 lbs./ 15.9 kg

Optional DFS-2F or DFST flush switch must be ordered separately if desired.

White and Bone colors available. See price list for all toilet item numbers.

\* Product weight only. Add 12 lbs / 5.4 kg for shipping weight.

Specifications subject to change without notice.

### 7100 and 7200 Series Toilet System Requirements

<b>ELECTRICAL</b>	Power draw	20 amps @ 12 V DC; 10 amps @ 24 V DC
	Circuit breaker/fuse	25 amps @ 12 V DC; 15 amps @ 24 V DC
	Wiring	12 ga. (up to 25 ft./7.6 m total circuit) Consult ABYC guidelines for additional information.
<b>WATER SUPPLY</b>	Fitting size	0.5 in. NPT - fresh water flush toilet (7120)
	Supply hose ID	0.75 in. ID - raw water flush toilet (7160)
	Flow rate	2.0 gpm/7.6 lpm minimum at toilet - fresh water flush (7120)
	Lift (raw water flush only)	4 ft./1.2 m maximum
<b>DISCHARGE</b>	Plumbing ID	1.5 in./38 mm or 1 in./25 mm
	Horizontal run*	40 ft./12.2 m maximum
	Vertical run*	4 ft./1.2 m maximum
	Holding tank capacity	30 gal./114 liters min. recommended

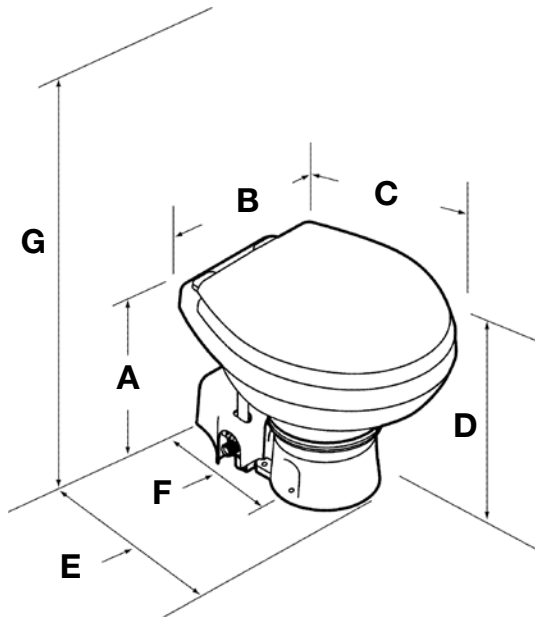
\* Horizontal and vertical run distances are not cumulative. Check for adequate discharge flow if installation nears one of these limits.

Specifications subject to change without notice.

### Dimensions

REF.	7120, 7160	7220, 7260
A	14.75 in. / 375 mm	13.25 in. / 337 mm
B	15 in. / 381 mm	14.5 in. / 368 mm
C	19 in. / 483 mm	18.75 in. / 476 mm
D	13.75 in. / 349 mm - seat height	12.25 in. / 311 mm - seat height
E	13.75 in. / 349 mm	13.75 in. / 349 mm
F	10 in. / 254 mm	10 in. / 254 mm
G	28.75 in. / 730 mm - seat lid up	26.25 in. / 667 mm - seat lid up

All dimensions may vary  
± 0.375 in. (10 mm)



### MasterFlush Pedestal-style Toilet Switch Panels



#### Model DFS-1F

- “Normal” flush switch
- Pressure activated – toilet flushes as long as switch is pressed
- **Standard** with model 7120, 7220 fresh water, and 7160, 7260 raw water flush toilets



#### Model DFS-2F

- “Add water” and “dry bowl” flush switch
- Pressure activated – toilet flushes as long as switch is pressed
- **Optional** for model 7120, 7220 fresh water flush toilets



#### Model DFST

- “Normal” flush switch on left side
- “Add water” and “dry bowl” flush switch on right side
- Pressure activated – toilet flushes as long as switch is pressed
- **Optional** for model 7120, 7220 fresh water flush toilets

# Dometic® Toilet Flush Switches, Indicators

## User-friendly flushing operation

Complete the luxurious appeal of SeaLand® all-ceramic toilets with this selection of marine-grade wall-mounted flush switches. Standard Dometic and SeaLand models are complete and ready to install, while Vimar- and Gewiss- compatible models require only the correct style frame that matches the existing electronic trim in the boat (order separately from manufacturer).

### Dometic® Flush Touchpad



**Dimensions**  
3.25 in. w x 2 in. h / 83 mm x 51 mm

#### Model DFT

- “Add water” switch on left side
- “Normal” flush switch on right side
- “Power on” and “full tank” indicator lights
- Standard with MasterFlush toilets (except 8100 series)

### Dometic® Flush Toggle Switch Panel



**Dimensions**  
3.25 in. w x 3.25 in. h /  
83 mm x 83 mm

#### Model DFST

- “Normal” flush switch on left side
- “Add water” and “dry bowl flush” switch on right side
- Pressure activated - flushes as long as switch is pressed
- Standard with 8100 series MasterFlush toilets; optional with 7100, 7200 series freshwater flush toilets

### Dometic® Flush Switch Panels (fit Vimar/Gewiss frames)



**Dimensions**  
3.42 in. w x 3 in. h / 89 mm x 76 mm – DFS panel with standard frame (shown)  
Panels fitted with Vimar and Gewiss frames will vary in appearance and size.

#### Models DFS, DFP

- “Add water” and “flush” switches on left side
- “Power on” and “full tank” indicator lights on right side
- Backlit push buttons offer easy location for user, even in dark
- Adaptable with popular Vimar and Gewiss trim frames
- CE approved

#### Key Benefits – all models

- Complete add water/flush control at the touch of a button
- Integrated power/full tank indicator lights show when toilet is ready to flush\*
- Fast installation with ethernet cable\* (RJ45 connectors)
- 12 or 24 V DC operation

\* not available on toggle switch

MODEL	DESCRIPTION	COLOR	VOLTAGE	ITEM
DFT	Dometic flush touchpad	black	12/24	313600022
		white	12/24	313600021
DFST	Dometic flush toggle switch panel	black	12/24	385311702
DFS	Dometic flush switch - standard	gray	12/24	313409010
		white	12/24	313409020
DFP	Dometic flush switch - Gewiss Playbus style	gray	12/24	313409030
DFS-1F	“Normal flush” Dometic switch (see p. 12 for details)	black	12/24	385311997
DSF-2F	“Add water/dry bowl” Dometic switch (see p. 12 for details)	black	12/24	385311998

DFT, DFS and DFP switch sets include 10 ft./3 m electrical cable that connects to flush switch and electronic SeaLand toilet circuit board.  
DFT touchpad is included with MasterFlush all-ceramic toilets as standard (except 8100 series).  
DFST switch is included with 8100 series MasterFlush toilets as standard.  
DFS standard panel fits Dometic, Vimar Eikon, Vimar Idea, and Gewiss Chorus frames.  
DFP panel will retrofit with Gewiss Playbus frames.  
Specifications subject to change without notice.

# Dometic® Status Panels

## Assures SeaLand macerator toilet readiness

### DSS Status Panel

Designed primarily for use with SeaLand all-ceramic toilets with electronic flush handles, the SeaLand DSS panel indicates when electrical power to the toilet system is turned on (green light), when the holding tank is 3/4 full (amber light), and when the holding tank is full (red light) if connected to a SeaLand tank monitor. The red light also indicates that electrical power to the toilet is shut off to prevent overflow of the holding tank.

#### Key Benefits

- Continuous monitoring of toilet system's power status and flush readiness
- Indicates when toilet is ready to flush (green light); when the holding tank is 3/4 full (amber); when holding tank is full and toilet power is off (red light)
- Operates on only 16 mA @ 12 V DC or 24 V DC
- Complements other SeaLand panels and controls



Item no. 313722000 - 12/24 V DC, black

#### Dimensions

3.25 in. w x 2 in. h / 83 mm x 51 mm

### DNF Status Panel

SeaLand "Do Not Flush" panel connects to holding tank level monitor system to indicate that the holding tank is full.

#### Key Benefits

- Operates on only 16 mA @ 12 V DC or 24 V DC
- Complements other SeaLand panels and controls



Item no. 313712000 - 12/24 V DC, black

Item no. 313712001 - 12/24 V DC, white

#### Dimensions

3.25 in. w x 2 in. h / 83 mm x 51 mm

# RushFlush® Toilet System

## Dual high-velocity water jets with Plug & Play installation

RushFlush 9300 Series Toilet with electronic flush handle. White color.



RushFlush 9400 Series Toilet with standard DFT flush touchpad. Bone color



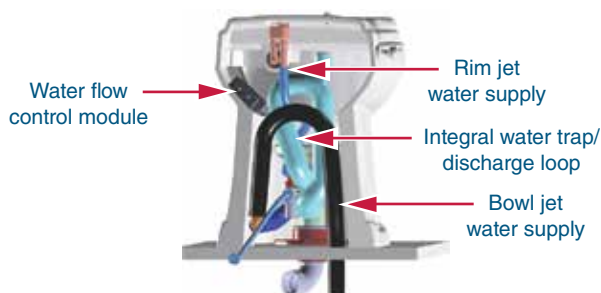
For offshore vessels that accommodate high-flow toilet systems, RushFlush® marine toilet technology delivers unmatched power, resource efficiency, and ease of installation when compared to similar toilet systems.

The energetic RushFlush power begins with two hyper-pressurized water lines that converge at the bowl – through the high-capacity upper rim for a thorough bowl-clearing rinse every time, and a simultaneously charged water jet at the bottom of the bowl that macerates effluent and drives it to the discharge plumbing. This patent-pending design offers adjustable flush duration programming to meet individual water efficiency requirements.

In this “next-generation” of pressure-jet flushing technology, SeaLand has built unprecedented plug & play installation convenience. With a pre-assembled integral trapway and discharge loop, the RushFlush toilet installs in 50-75% less time than similar versions. It also requires less water per flush, with a standard flush using only 2-1/8 gallons (8.04 L) of fresh water. A water flow control module allows further adjustment by the installer if desired.

RushFlush toilets feature the popular SeaLand all-ceramic fixture used in thousands of specialty bathroom applications – a full-size, residential-style toilet with a large, deep bowl and elongated seat for premium comfort. User-friendly options include a choice of flush handle or an electric switch, and the standard-height toilet series is available in SeaLand’s famous white and bone colors.

Safety systems include a 3/4-full-tank option with an indicator light, and a full-tank shutdown option to prevent overflow of the holding tank.



### Key Bene

- Dual high-velocity water jets clear the bowl, macerate waste, and propel effluent to the holding tank
- Easy, fast, plug & play toilet installation
- Elongated, comfortable seat and deep bowl
- 9300 series uses electric flush handle
- 9400 series comes with standard DFT flush touchpad
- Freshwater, odor-free flushing
- No mechanical waste-macerating system needed
- 3/4 full-tank warning indicator option
- Full-tank shutdown option prevents overflow

### Model DFS Flush Switch

- **Optional** switch for 9400 series
- “Add water” and “flush” switches on left side
- “Power on” and “full tank” lights on right side
- CE approved

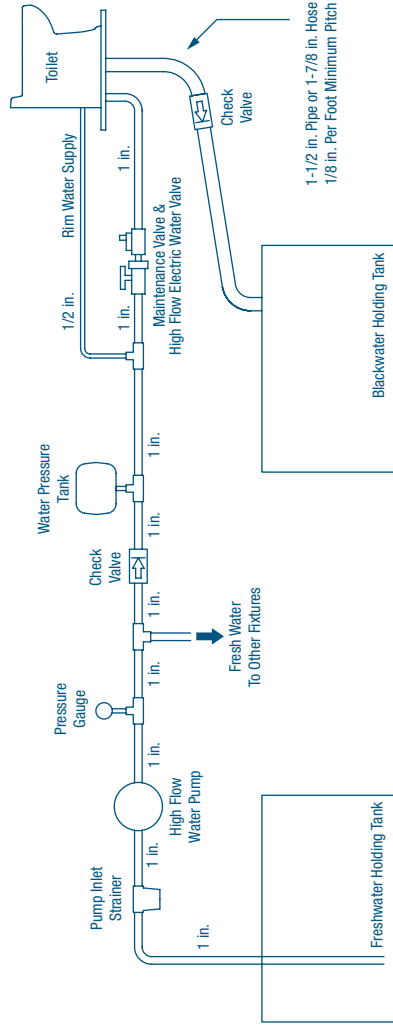


## Technical Specifications for RushFlush® Toilets System

MODEL	ALL RUSHFLUSH MODELS
Power Draw	1.2 Amps @ 12V DC 0.6 Amps @ 24V DC
Circuit Breaker/Fuse Recommended	2 Amps @ 12V DC 1 Amps @ 24V DC
Upper Rim Water Supply	0.5 in. NPT inlet, water valve
Lower Bowl Jet Water Supply	1 in. NPT inlet, water valve
Water Flow Rate	15 gpm/57 lpm @ 30-50 PSI/207-345 kPa
Discharge (Inside Diameter)	1.5 in./38 mm pipe or 1.875 in./47 mm hose
Horizontal Run Discharge <sup>1)</sup>	Gravity Drain
REQUIRED COMPONENTS	ALL RUSHFLUSH MODELS
Water Pump <sup>2)</sup>	15 gpm/57 lpm
Potable Water Pressure Tank <sup>2)</sup>	150 PSI rating, maximum
Electric Flush Switch	Dometic
DIMENSIONS (IN/MM) <sup>3)</sup>	9331, 9341
A	19.0/483
B	16.5/419
C	21.5/546
D	17.5/445 (Seat Height)
E	17.0/432
F	11.0/279 (Centerline Rough-In)
G	33.5/851 (Seat Lid Up)

<sup>1)</sup> Horizontal discharge plumbing must drop 0.125 in. (3 mm) for every 1 ft. (30.5 cm) of horizontal run.  
<sup>2)</sup> Purchased separately. The water pump may be part of the vessel's potable water system.  
<sup>3)</sup> Dimensions correspond to the dimensions drawings. All dimensions = 0.375 in. (10 mm).

## RushFlush Plumbing Diagram



**DOMETIC GROUP, MARINE DIVISION**  
 2000 N. Andrews Ave. Ext. | Pompano Beach, FL 33069 USA  
 Tel. 954-973-2477 | Fax 954-979-4414  
 www.DometicUSA.com | marinesales@dometicus.com

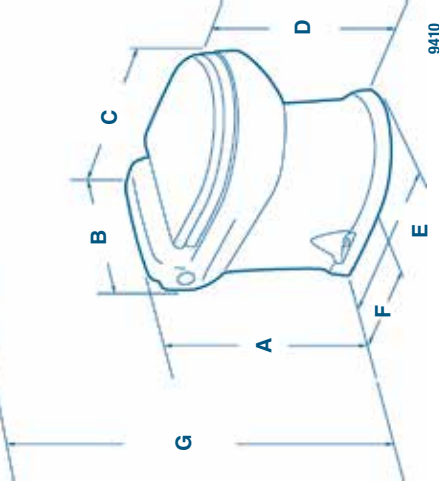
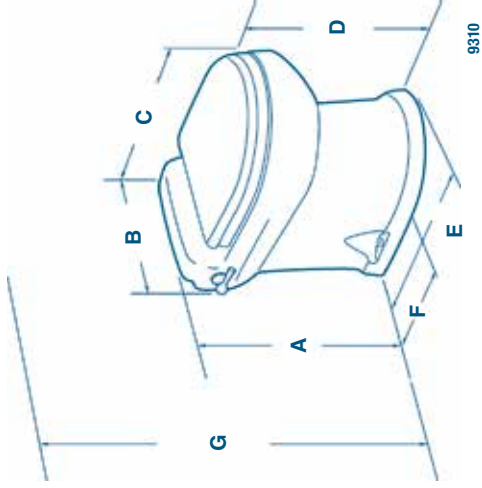
**TECHNICAL SUPPORT FOR UNITED STATES & CANADA**  
 8:00 AM to 5:00 PM Eastern Time: 800-321-9886

**INTERNATIONAL SALES & SERVICE**

Europe & Middle East: +44(0)870-330-6101 | All other areas find the nearest distributor at [www.dometic.com/marine-dealers](http://www.dometic.com/marine-dealers)

L-2935

## Dimensions



Dealer:



Specifications and availability subject to change without notice.



# 4300-4400 Series SeaLand® Toilets

Premium elegance, gravity-flush convenience



Model 4310  
SeaLand® toilet  
with electronic  
flush handle

Model 4410  
SeaLand® toilet  
with electronic  
flush switch

Get the appeal and performance of an upscale toilet with the luxurious, all-ceramic design of SeaLand 4300 and 4400 series gravity-flush toilets.

Providing optimum user appeal and comfort, these toilets feature full-scale residential styling, elongated seat, lustrous ceramic finish, and electronic flush operation. Electronic flushing can be activated by either a residential-style handle or wall-mounted switch. Additional options include a choice of white or bone colors.

Water consumption is a very efficient 0.13 gal. (0.49 l) per flush, conserving freshwater resources and extending holding tank use between pump-outs as compared to many other electric toilets.

## Key Benefits

- Powerful bowl-clearing flush
- Standard height models with elongated residential-style seat
- Flat back installs against bulkhead or other flat walls
- Dual-function switch (toilet handle or wall-mounted) adds water and flushes toilet
- Manual override opens flush ball for emergency flushing if electrical power shuts off
- Through-the-floor discharge
- Requires only 2 amps @ 12 V DC operation

### 4300-4400 Series Technical Specifications

MODEL	DESCRIPTION	DISCHARGE	WEIGHT*
4310	Standard-height, all-ceramic, gravity-discharge toilet with electric flush handle	through the floor	66 lbs./30 kg
4410	Standard-height, all-ceramic, gravity-discharge toilet with electric wall switch	through the floor	66 lbs./30 kg

All models are available in white or bone color. Specifications subject to change without notice.

\* Weight may vary ± 2-3 percent.

### 4300-4400 Series System Requirements

ELECTRICAL	Circuit breaker	2 amps / 12 V DC
	Wiring	14 ga. (up to 20 ft. / 6.1 m from breaker)
WATER SUPPLY	ID	0.5 in. NPT
	Flow rate	2.5 gpm / 9.5 lpm min. at toilet
	Max. flow pressure	40 PSI / 276 kPa
DISCHARGE	Fitting	4-bolt floor (closet) flange. 3 in. (76 mm) ID ABS or PVC connection directly above holding tank

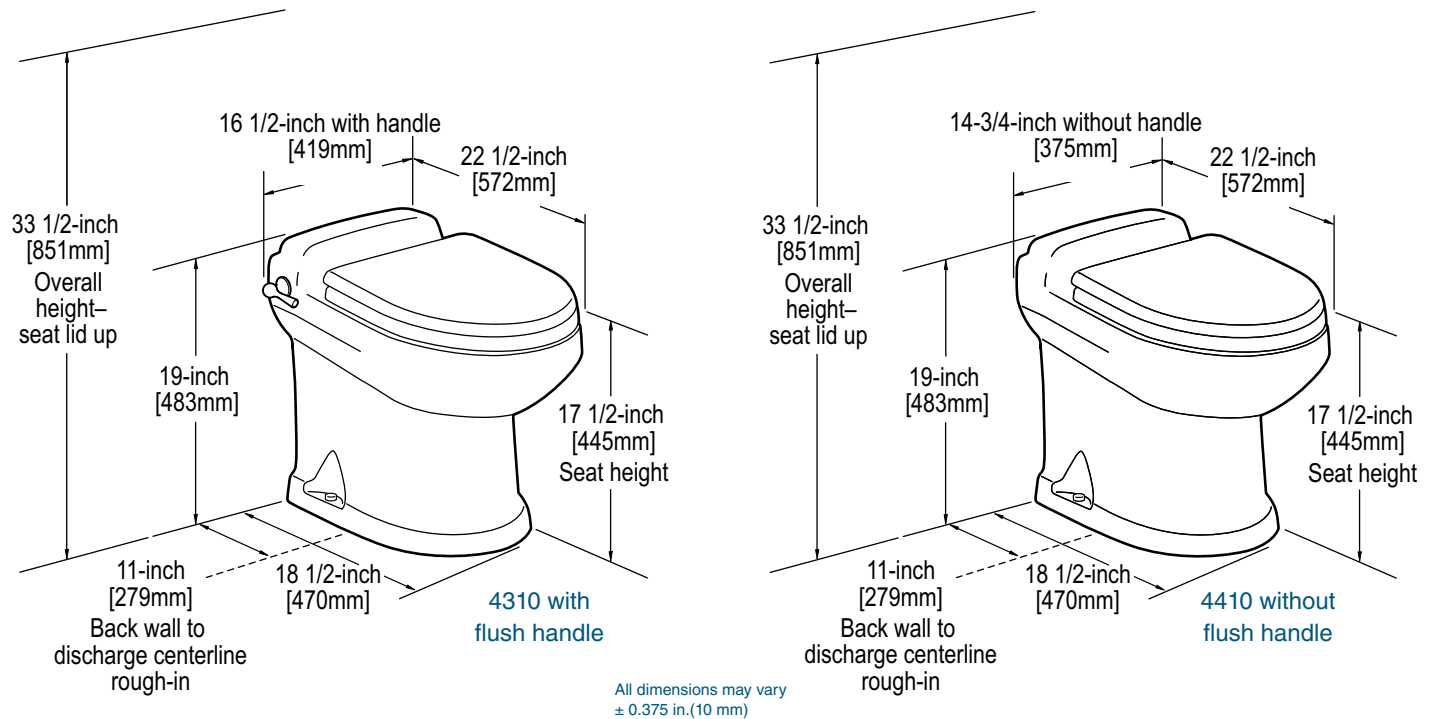
Specifications subject to change without notice.

### Dometic Flush Switch



Included with model 4410 toilets. White only.

### Dimensions



# 500 and 700 Series SeaLand® Toilets

Premium gravity-flush toilets for diverse boats



Model 510+PS  
SeaLand Toilet

## 500 Plus Series Gravity-Flush Toilets

SeaLand foot-pedal toilets provide the ultimate water-conserving flush by using as little as 1 US pint/0.5 liter per flush. Designed to install directly above a holding tank, Dometic's patented flush mechanism creates an airtight seal between head compartment and holding tank. Elongated seat and deep bowl provide the most home-like comfort available in pedal-flush toilets. Anti-splash rim keeps water in the bowl while underway. Available in sparkling white and bone colors.

### Key Benefits

- Elongated, solid seat for comfort and support
- Robust mechanisms withstand high frequency use
- Foot-pedal flush requires no electric power
- Integral vacuum breaker protects water supply
- 510+PS also available in low-profile model (511+PS) for raised platforms
- Proven in thousands of marine applications

## 711-M28 Gravity-Flush Toilet

Get a complete freshwater toilet system in one self-contained package. Using on-board water supply, this toilet system produces no foul odors associated with seawater systems. It's also a great replacement for recirculating toilets. Just connect water supply, discharge plumbing and vent line – it's ready to go.

### Key Benefits

- 9-gal. (36 l) holding tank capacity
- As little as 1 pint (0.5 l) per flush
- Solid seat for home-like comfort
- Foot-pedal flush requires no electric power
- Integral vacuum breaker protects water supply
- Ceramic bowl and high-strength polyethylene holding tank provide many years of use



Model 711-M28  
SeaLand Toilet

### 500 Plus Series SeaLand® Toilet Specifications

MODEL	DESCRIPTION	DISCHARGE	WEIGHT*
510+PS	Standard-height, foot pedal flush, gravity-discharge toilet	through the floor	41 lbs./18.6 kg
511+PS	Low-profile, foot pedal flush, gravity-discharge toilet	through the floor	40 lbs./18.1 kg

All models are available in white or bone color. Specifications subject to change without notice.

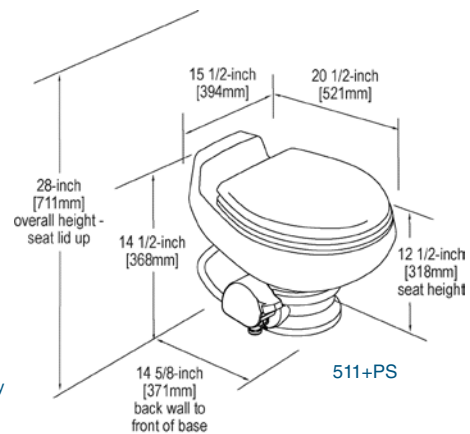
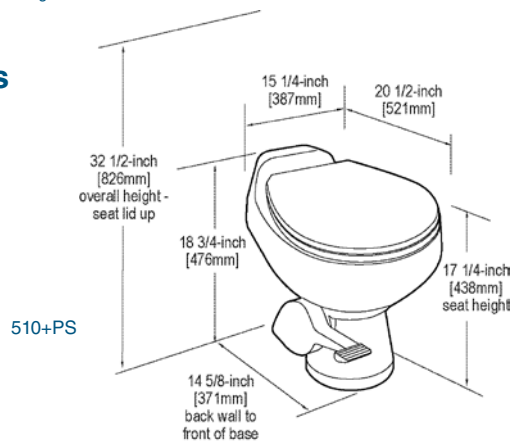
\* Weight may vary ± 2-3 percent.

### 500 Plus Series System Requirements

WATER SUPPLY	ID	0.5 in. NPT fitting
	Flow rate	2.0 gpm/7.6 lpm at toilet, minimum
DISCHARGE	ID	3 in./76 mm ID ABS or PVC flange connection directly over holding tank

Specifications subject to change without notice.

### Dimensions



All dimensions may vary ± 0.375 in.(10 mm)

### 711-M28 SeaLand® Toilet Specifications

MODEL	DESCRIPTION	TANK DISCHARGE	WEIGHT*
711-M28	Self-contained, standard-height toilet/holding tank combination, foot pedal flush	1.5 in./38 mm ID plumbing	45 lbs./20.4 kg

1 Available in white or bone color.

\* Weight may vary ± 2-3 percent.

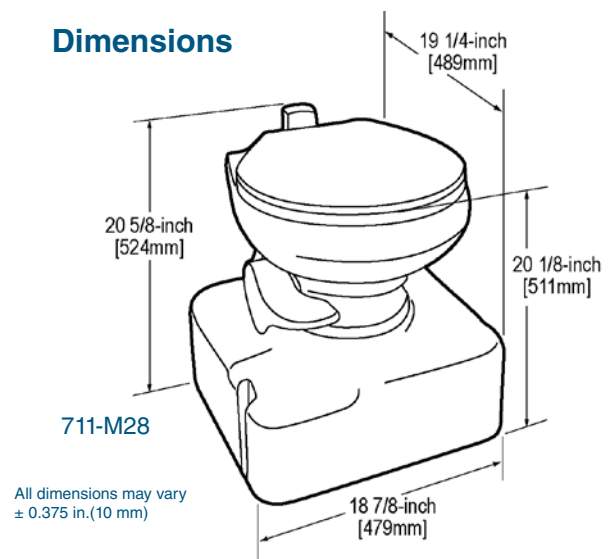
2 Specifications subject to change without notice.

### 711-M28 System Requirements

WATER SUPPLY	ID	0.5 in. NPT fitting
	Flow rate	2.0 gpm/7.6 lpm at toilet, minimum
DISCHARGE	Tank	1.5 in./38 mm ID sanitation hose or pipe
	Vent	5/8 in./16 mm ID hose

Specifications subject to change without notice.

### Dimensions



All dimensions may vary ± 0.375 in.(10 mm)

# Dometic® Portable Marine Toilets

Convenience of home anywhere you travel



## SaniPottie® 970 Series Portable Toilets

Powerful flushing at the touch of a button – without constant pumping or batteries – sets the 970 series portable toilets apart from the rest. Contemporary styling complements today's boat designs. Available in tan or gray colors.



Model 976  
SaniPottie portable toilet



Model 972  
SaniPottie portable toilet

### Key Benefits

- Push-button flush clears bowl instantly
- 2.6-gal. (9.8 l) or 5.0-gal. (18.9 l) waste tank capacity
- 2.3-gal. (8.7 l) freshwater tank (all models)
- High-strength ABS construction withstands marine environment; smooth, easy-to-clean finish
- Prismatic tank level indicator allows easy tank level monitoring
- Full-size seat for comfort; latching lid for security
- Models with mounting brackets and MSD fittings available for permanent installation

## SaniPottie® 960 Series Portable Toilets

These simple, self-contained toilets have provided recreational boaters with convenience and user-friendly performance for over 20 years. Bellows-style flush delivers a bowl-clearing rinse every time. Available in attractive parchment or platinum colors.



Model 966  
SaniPottie portable toilet



Model 962  
SaniPottie portable toilet

### Key Benefits

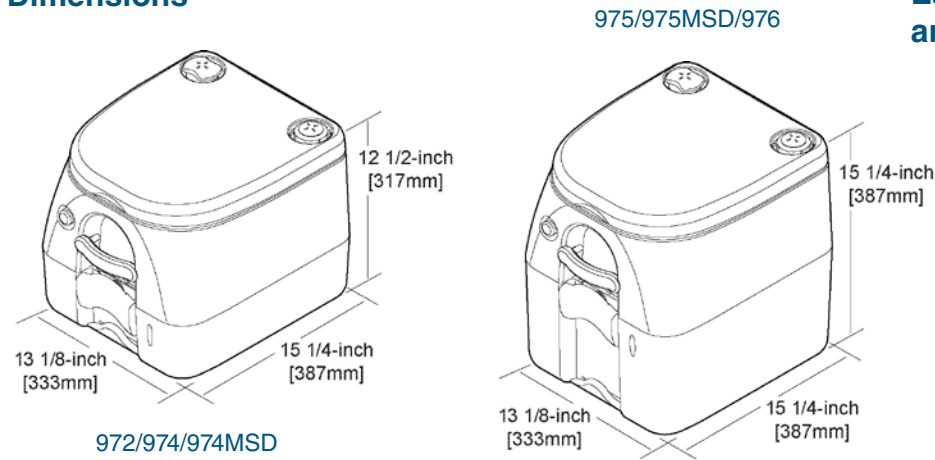
- 2.5-gal. (9.5 l) or 5.0-gal. (18.9 l) models offer waste tank capacity for 30-50 flushes
- 2.6-gal. (9.8 l) freshwater tank (all models)
- High-density polyethylene construction withstands demanding conditions
- Easy-to-clean, scratch-resistant finish
- Adult-size seat for comfort
- Firm-locking side latches
- Models with mounting brackets and MSD fittings available for permanent installation

## SaniPottie® 970 Series Portable Toilet Specifications

MODEL	DESCRIPTION	DISCHARGE
972	2.6 US gal./9.8 l capacity portable toilet	manual
974	2.6 US gal./9.8 l capacity portable toilet, mounting brackets	manual
974MSD	2.6 US gal./9.8 l capacity portable toilet, mounting brackets, MSD fittings	1.5 in./38 mm ID plumbing
975	5.0 US gal./18.9 l capacity portable toilet, mounting brackets	manual
975MSD	5.0 US gal./18.9 l capacity portable toilet, mounting brackets, MSD fittings	1.5 in./38 mm ID plumbing
976	5.0 US gal./18.9 l capacity portable toilet	manual

Mounting brackets and MSD fittings are also available as separate accessory kits. MSD models also connect to 5/8 in./16 mm ID vent hose

### Dimensions



### Easy to use and empty



1. Pressurize water tank (every 4-5 flushes\*).
2. Pull handle to flush into lower tank.

\* Depending on amount of water used per flush.



3. Push button to rinse bowl (or add water before use).
4. Extra-long spout and tank vent make emptying easy.

## SaniPottie® 960 Series Portable Toilet Specifications

MODEL	DESCRIPTION	DISCHARGE
962	2.5 US gal./9.5 l capacity portable toilet	manual
964	2.5 US gal./9.5 l capacity portable toilet, mounting brackets	manual
964MSD	2.5 US gal./9.5 l capacity portable toilet, mounting brackets, MSD fittings	1.5 in./38 mm ID plumbing
965	5.0 US gal./18.9 l capacity portable toilet, mounting brackets	manual
965MSD	5.0 US gal./18.9 l capacity portable toilet, mounting brackets, MSD fittings	1.5 in./38 mm ID plumbing
966	5.0 US gal./18.9 l capacity portable toilet	manual

Mounting brackets are also available as separate accessory kits. MSD models also connect to 5/8 in./16 mm ID vent hose

### Dimensions



# HTS SeaLand® Holding Tank Systems

## Odor-free, premium-quality performance

Boatowners can now realize the benefits of a user-friendly, properly-sized holding tank in virtually any Type III MSD system with this wide selection of SeaLand holding tank systems. Both HTS-T and Basic series use top-mounted fittings and diptube discharge plumbing to prevent potential leaks. Multiple discharge outlets eliminate need for complex plumbing and extra discharge line connections.

### HTS-T and Basic Series SeaLand Holding Tank Systems

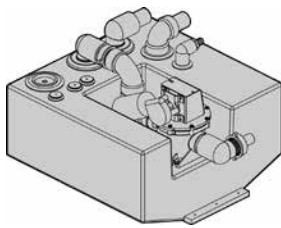
- HTS-T models include T series discharge pump
- Corrosion-proof, leak-proof, odor-proof – high-density polyethylene tank construction
- “Diptube-style” discharge fittings for thorough, leak-proof pump-out
- All plumbing fittings are pre-tested
- Easy to install – no solvent-bond connection required
- ISO/USCG compliant tanks



Dimensions include height of fittings and accessories

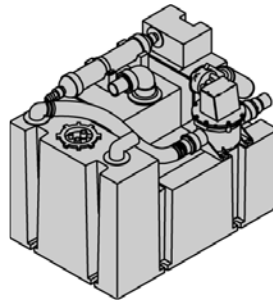
#### 10 HTS-T

Height: 13.25 in./635 mm    Item: 322721012 – 12V  
 Width: 19.5 in./495 mm    Item: 322721024 – 24V  
 Length: 23.375 in./594 mm



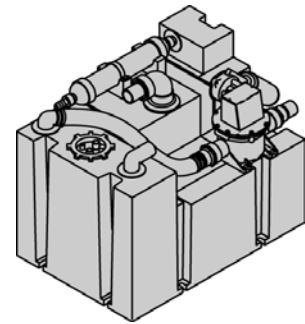
#### 28 HTS-T

Height: 19.5 in./495 mm    Item: 322012812 – 12V  
 Width: 19 in./483 mm    Item: 322012824 – 24V  
 Length: 30 in./762 mm



#### 40 HTS-T

Height: 20 in./508 mm    Item: 322014012 – 12V  
 Width: 21 in./533 mm    Item: 322014024 – 24V  
 Length: 35 in./889 mm



### HTS-T Series SeaLand Holding Tank System Technical Specifications

MODEL	CAPACITY (GAL./LITERS)	EMPTY WEIGHT (LBS./KG)	MAX. WEIGHT (LBS./KG)	OUTLETS (QTY)	VENT FILTER
10 HTS-T	10 / 38	18 / 8.2	98 / 40.9	2	–
28 HTS-T	28 / 106	40 / 18	260 / 118	2	included
40 HTS-T	40 / 151	44 / 20	364 / 165	2	included

All HTS-T models shown here include SeaLand T-series discharge pump, DTM04 four-level tank monitor system, and TankSaver relief valve. Available in 12 V and 24 V DC systems. Specifications subject to change without notice.

### HTS-T Series System Requirements

		DISCHARGE PUMP*	DTM04 TANK MONITOR
ELECTRICAL	Power draw (avg.)	6 amps/12 V DC 3 amps/24 V DC	0.15 amp/12 V DC 0.09 amp/24 V DC
	Circuit breaker/fuse	10 amps/12 V DC 5 amps/24 V DC	1 amp/12 V DC 1 amp/24 V DC
INLET PLUMBING	ID	1.5 in./38 mm sanitation hose or PVC pipe	

DISCHARGE PLUMBING	ID	1.5 in./38 mm sanitation hose or PVC pipe
	Horizontal run	30 ft./9.1 m max. to discharge fitting
	Vertical run	6 ft./1.8 m max. to discharge fitting
VENT HOSE	ID	5/8 in./16 mm sanitation hose

\* Requires separate circuit breaker or fuse. Specifications subject to change without notice.

## HTS-Basic Series SeaLand Holding Tank System Technical Specifications

MODEL	CAPACITY (GAL./LITERS)	EMPTY WEIGHT (LBS./KG)	MAX. WEIGHT (LBS./KG)
12 HTS-VRT	11 / 42	20 / 9.1	108 / 49
12 HTS-HRZ	11 / 42	20 / 9.1	108 / 49
12 HTS-HL	12 / 45	22 / 10	118 / 53.5
15 HTS-VRT	15 / 57	25 / 11.3	145 / 65.8
15 HTS-HRZ	15 / 57	25 / 11.3	145 / 65.8
20 HTS-VRT	18 / 68	27 / 12.2	171 / 77.6
20 HTS-HRZ	18 / 68	27 / 12.2	171 / 77.6
25 HTS-HRZ	25 / 94	31 / 14.1	231 / 105

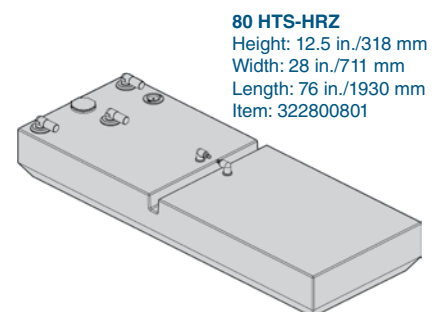
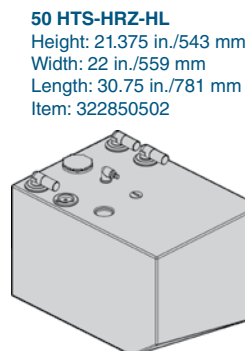
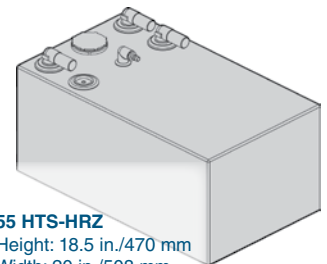
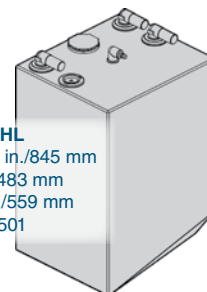
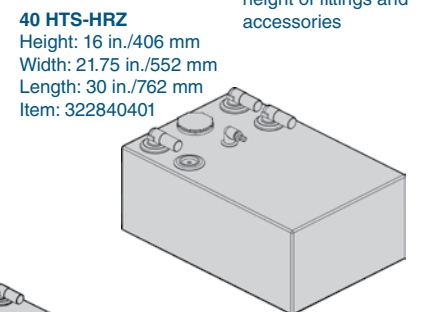
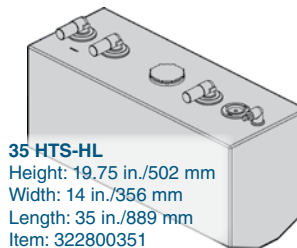
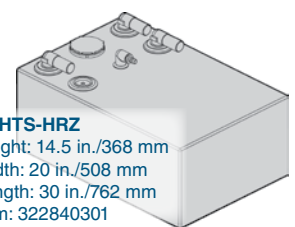
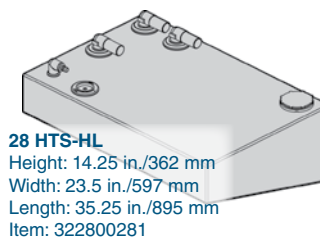
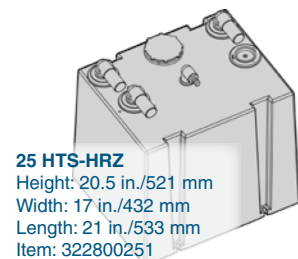
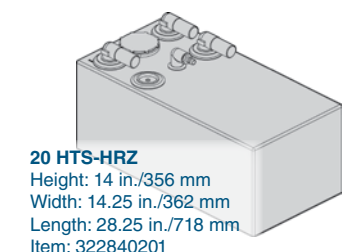
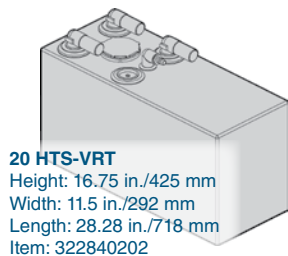
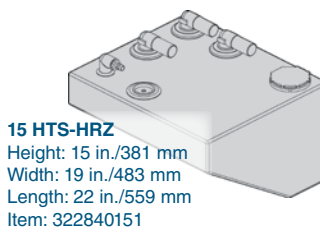
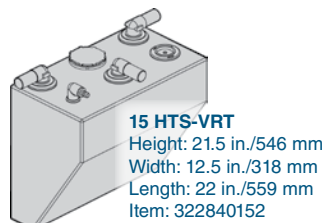
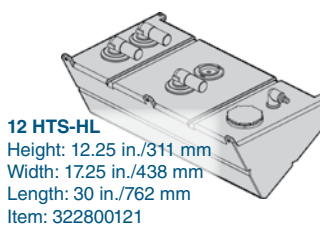
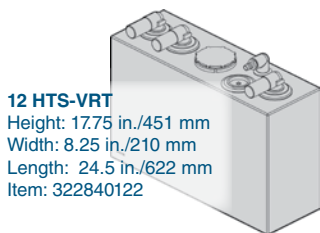
MODEL	CAPACITY (GAL./LITERS)	EMPTY WEIGHT (LBS./KG)	MAX. WEIGHT (LBS./KG)
28 HTS-HL	28 / 106	37 / 16.8	261 / 118
30 HTS-HRZ	28 / 106	37 / 16.8	261 / 118
35 HTS-HL	35 / 132	38 / 17.2	318 / 144
40 HTS-HRZ	34 / 129	41 / 18.6	313 / 142
50 HTS-VRT-HL	50 / 189	53 / 24	453 / 205
50 HTS-HRZ-HL	50 / 189	53 / 24	453 / 205
55 HTS-HRZ	55 / 208	53 / 24	493 / 224
80 HTS-HRZ	80 / 302	54 / 24.5	694 / 315

All HTS Basic models include **two discharge outlets** and a **TankSaver relief valve**. Specifications subject to change without notice.

### HTS-Basic Series System Requirements

<b>INLET PLUMBING</b>	ID	1.5 in./38 mm sanitation hose or PVC pipe
<b>DISCHARGE PLUMBING</b>	ID	1.5 in./38 mm sanitation hose or PVC pipe
<b>VENT HOSE</b>	ID	5/8 in./16 mm sanitation hose

Specifications subject to change without notice.



Dimensions include height of fittings and accessories



# DHT-L Series SeaLand® Holding Tanks

## Ready-to-install convenience



Model DHT42L  
Holding Tank System

“No Discharge” is no problem with new pre-assembled holding SeaLand tank systems. With five popular tank sizes, boatbuilders can easily outfit any boat in their line with a high-quality holding tank, and assure customers of long-lasting performance and efficiency.

Available in capacities of 11, 16, 23, 29, and 36 gallons, SeaLand’s five new holding tanks are pre-plumbed with inlet and discharge fittings, a vent fitting, inspection port and pressure relief valve. Each “plug ‘n play”-style tank is pressure-tested and ready to install – just bolt it down, fasten the hoses, and hit the water.

High-strength polyethylene tanks feature a heavy-duty wall thickness of 0.25-inch to maintain integrity even under high pressure, and to avoid permeation of tank wall with waste odor. Built-in mounting “feet” allow fast, secure bolting to the hull without restraining straps. Top-mounted inlet, discharge and vent fittings rotate to accommodate virtually any plumbing layout. Inlet and discharge fittings accommodate 1.5-inch ID sanitation hose, but can be adapted to other plumbing system dimensions. Also included with each tank are an extra inlet fitting, plug, sealing grommet and hose lubricant for easy hose attachment.

SeaLand DHT-L series holding tanks are sized to fit on the most popular boat models and lengths.

### Key Benefits

- Pre-assembled with all required fittings and ports
- Five sizes to fit wide range of boat models
- Heavy-duty polyethylene tank withstands high pressure
- Tank walls resist waste odor permeation
- Specially designed discharge fittings are clog-free and minimize tank residual
- Five-year limited warranty against cracking or leaking

## DHT-L Series Holding Tank System Technical Specifications

MODEL	DESCRIPTION	DIMENSIONS LxDxH	EMPTY WEIGHT
DHT42L	11-gallon/42-liter holding tank system	18.1 x 13.8 x 13.7 in. / 460 x 350 x 348 mm	12 lbs./5.4 kg
DHT61L	16-gallon/61-liter holding tank system	26.0 x 13.8 x 13.7 in. / 660 x 350 x 348 mm	17 lbs./7.7 kg
DHT88L	23-gallon/88-liter holding tank system	31.5 x 15.7 x 15.3 in. / 800 x 400 x 388 mm	22.5 lbs./10.2 kg
DHT110L	29-gallon/110-liter holding tank system	47.2 x 13.8 x 13.7 in. / 1200 x 350 x 348 mm	30.9 lbs./14 kg
DHT137L	36-gallon/137-liter holding tank system	47.2 x 15.7 x 15.3 in. / 1200 x 400 x 388 mm	32 lbs./14.5 kg

Notes:  
 "H" dimension indicates height to top of pre-installed fittings. Specifications subject to change without notice.

### Plumbing Connection Dimensions

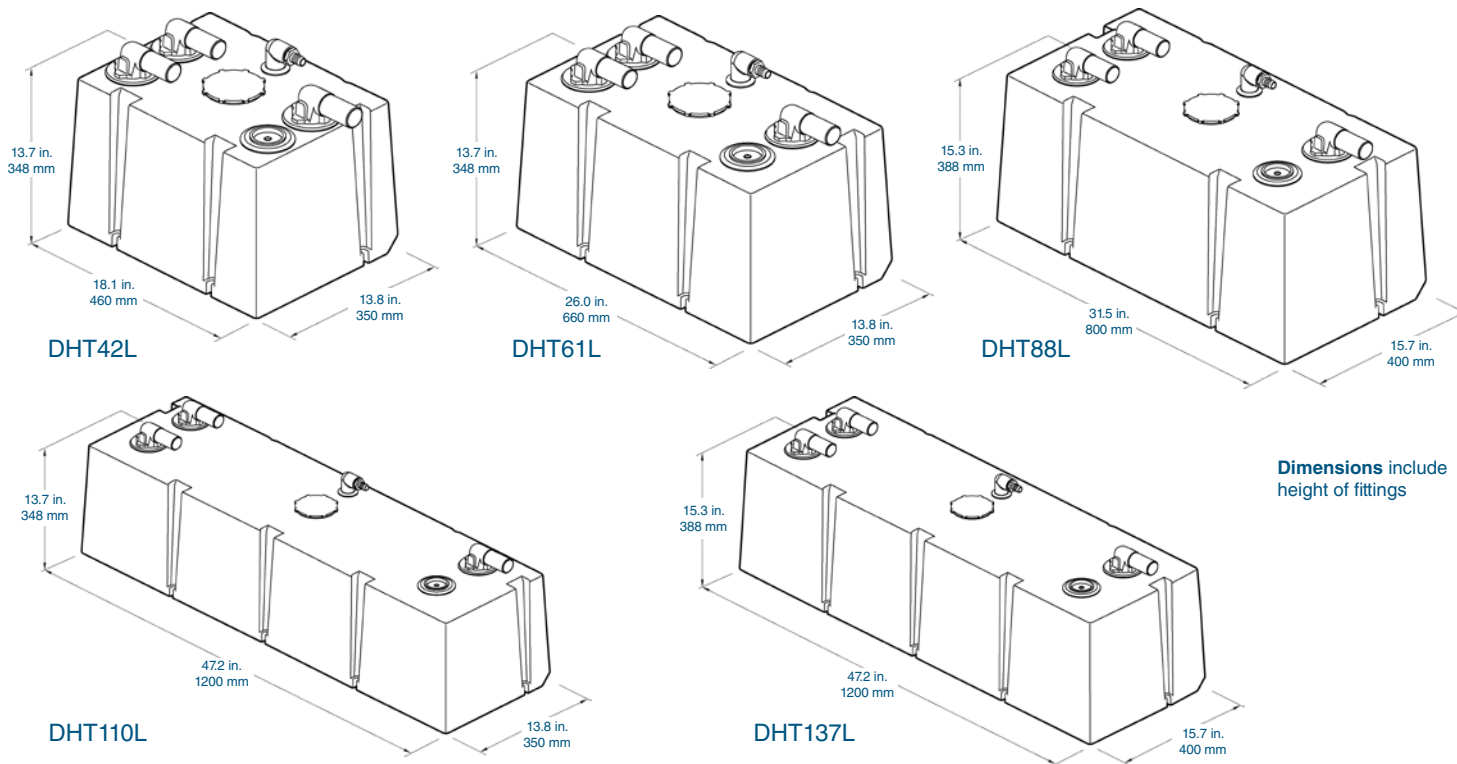
<b>INLET FITTING</b>	1.5 in./38 mm ID sanitation hose or PVC pipe
<b>OUTLET FITTINGS</b>	1.5 in./38 mm ID sanitation hose or PVC pipe
<b>VENT FITTING</b>	0.625 in./16 mm ID vent hose
<b>INSPECTION PORT</b>	3 in./76 mm FPT

Specifications subject to change without notice.

### Product Details

<b>MATERIALS</b>	Tank	Polyethylene, 0.25 in./6.3 mm min. thickness	
	Fittings	PVC, ABS	
<b>COLOR</b>	Tank	Natural	
	Fittings	White	
<b>CONTENTS</b>	1x holding tank	1x pressure relief valve	<b>ACCESSORIES</b>
	1x inlet fitting	1x inspection port, cap	1x inlet fitting
	1x vent fitting	2x hose lubricant, tubes	1x sealing grommet
	2x outlet fittings	1x instruction manual	1x plug

### Dimensions



# SeaLand® DTM Series Tank Monitor Systems

Continuous status of onboard waste system and water tanks



- Key Benefits**
- Monitors empty, low, mid and full levels
  - Continuous light indicates power is on
  - No false readings. No electrical components contact water
  - Easy to install. Two probe assembly length options fit tanks up to 22 in./55.9 cm and 45 in./114.3 cm tall
  - Optional relay shuts down toilet when waste tank is full (DTM04); or shuts down water pump when freshwater tank is full (DTMF04)
  - 12V DC or 24V DC operation

Accurate, continuous tracking of tank capacities is enjoyed by boatowners with our complete series of DTM tank monitors. Each DTM panel provides easy-to-read, distinctive LED illumination that indicate up to four levels of tank contents. Level probes install in SeaLand or other rigid tanks\* and are adjustable to desired level indication heights. DTM04, DTM08 and DTM12 panels can connect with DTD tank discharge control to offer convenient holding tank discharge options.

\* May require SeaLand Holding Tank Flange Kit, p/n 307230272.

## DTM04

DTM04 four-level tank monitor system for waste holding tank. Includes one set of tank probes.



## DTM08

DTM08 four-level tank monitor system for waste holding tank and freshwater tank. Includes two sets of tank probes.



## DTM12

DTM12 four-level tank monitor system for waste, graywater, and freshwater tanks. Includes three sets of tank probes.



## DTMF04

DTMF04 four-level tank monitor system for freshwater tank. Includes one set of tank probes.



## DTM01C

Single-level tank monitor system indicates when waste holding tank is full. Requires 3-in. dia. threaded tank opening for probe cap.



## DTM01

Single-level tank monitor system indicates when waste holding tank is full. Probe assembly installs on virtually any rigid tank material.



## Shut-down Relay

With DTM04 system, relay shuts off power to toilet when holding tank is full. With DTMF04 system, relay shuts off water pump when freshwater tank is empty. Plugs into back of indicator panel.



## DTM Series Product Information

MODEL	DESCRIPTION	ITEM
DTM04	4-light waste tank panel – black; one 4-level probe cap assembly with vent, 22-in. stems	313604001
	4-light waste tank panel – black; one 4-level probe cap assembly, 22-in. stems	313604002
	4-light waste tank panel – black; one 4-level probe cap assembly with vent, 45-in. stems	313604003
	4-light waste tank panel – black, one 4-level probe cap assembly, 45-in. stems	313604004
DTM08	8-light 2-tank panel – black; two 4-level probe cap assemblies with vent, 22-in. stems	360608001
	8-light 2-tank panel – black; two 4-level probe cap assemblies, 22-in. stems	360608002
	8-light 2-tank panel – black; two 4-level probe cap assemblies with vent, 45-in. stems	360608003
	8-light 2-tank panel – black; two 4-level probe cap assemblies, 45-in. stems	360608004
DTM12	12-light 3-tank panel – black; three 4-level probe cap assemblies with vent, 22-in. stems	360612001
	12-light 3-tank panel – black; three 4-level probe cap assemblies, 22-in. stems	360612002
	12-light 3-tank panel – black; three 4-level probe cap assemblies with vent, 45-in. stems	360612003
	12-light 3-tank panel – black; three 4-level probe cap assemblies, 45-in. stems	360612004
DTMF04	4-light freshwater tank panel – black; one 4-level probe cap assembly with vent, 22-in. stems	360614001
	4-light freshwater tank panel – black; one 4-level probe cap assembly, 22-in. stems	360614002
	4-light freshwater tank panel – black; one 4-level probe cap assembly with vent, 45-in. stems	360614003
	4-light freshwater tank panel – black; one 4-level probe cap assembly, 45-in. stems	360614004
DTM01	1-light waste tank panel – black; 1-level probe assembly	313002311
DTM01C	1-light waste tank panel – black; 1-level probe cap assembly	313002312
SDR12	Shut-down relay for DTM04 and DTMF04 systems, 12V DC	385311579
SDR24	Shut-down relay for DTM04 and DTMF04 systems, 24V DC	385311580

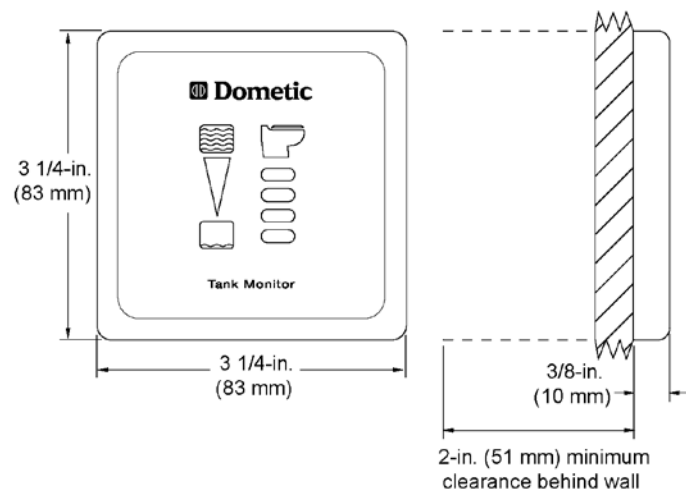
DTM04, DTM08, DTM12, DTMF04 models also available with white panels. See price guide for item numbers. Specifications subject to change without notice.

## DTM Series Electrical Current Draw

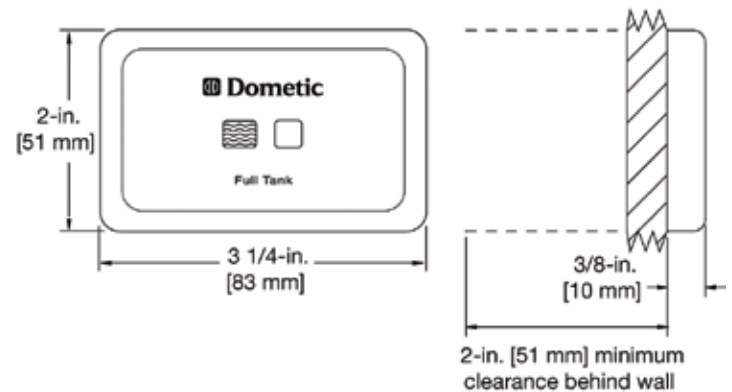
12V DC	DTM01/C	DTM04	DTM08	DTM12	DTMF04
without shut-down relay	0.016 A	0.008 A	0.016 A	0.024 A	0.008 A
with shut-down relay	N/A	0.145 A	N/A	N/A	0.145 A
24V DC	DTM01/C	DTM04	DTM08	DTM12	DTMF04
without shut-down relay	0.008 A	0.004 A	0.008 A	0.012 A	0.004 A
with shut-down relay	N/A	0.090 A	N/A	N/A	0.090 A

Maximum shut-down relay rating for electric toilet (with DTM04) or freshwater pump (with DTMF04) is 30 amps. Specifications subject to change without notice.

### DTM04, DTM08, DTM12, DTMF04 Panel Dimensions



### DTM01, DTM01C Panel Dimensions



# SeaLand® DTD Series Tank Discharge Controls

Allows manual or automatic discharge pump operation

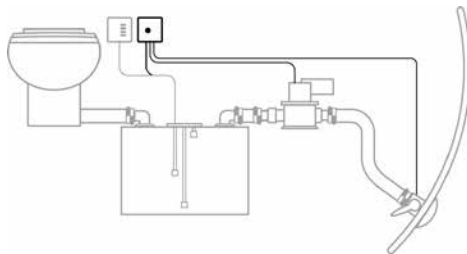
## DTD Tank Discharge Controls

Where overboard discharge of a waste holding tank is permitted, SeaLand DTD controls offer many options to match preferred methods of tank discharge operation. A key-operated switch allows the user to activate the discharge pump, or set the DTD panel for semi- or fully-automatic operation, depending on the DTD model. All panels include a green light that indicates when the discharge pump is running. DTD controls can be used with a discharge pump operating on the same voltage and a maximum circuit rating of 20 amps.

- Key Benefits – DTD01, DTD02**
- Manually activates pump to discharge holding tank contents directly overboard in unrestricted waters
  - Green light indicates when discharge pump is running; reminds operator to shut off pump to prevent burn-out
  - Keyed switch provides U.S. Coast Guard-approved security when key is removed; no padlocks or other mechanical fasteners are required
  - When integrated with DTM04 tank monitor system, discharge pump automatically shuts off when tank is empty
  - DTD02 panel provides warning indicator and prevents discharge pump operation if seacock is closed; prevents pump or boat damage



**Seacock interlock switch**  
 Optional accessory connects to DTD02/A systems to prevent potential damage of pumping out against closed seacock.



**DTD01 control options**

A. Manual discharge pump operation.

B. Semi-automatic operation when connected to DTM04 tank monitor system – automatically turns discharge pump off when tank is empty (see below).

1. When DTM04 monitor indicates “full” holding tank, insert key in switch and turn to momentary “start” position. Allow key to return to “on” position. Green light indicates pump is running.
2. When tank monitor indicates “empty”, discharge pump will turn off automatically. Turn key to left and remove from switch.

**DTD02 control options**

A. Manual discharge pump operation and “closed seacock” warning indicator.

B. Semi-automatic operation when connected to DTM04 tank monitor system – automatically turns discharge pump off when tank is empty (see below).

1. When DTM04 monitor indicates “full” holding tank, insert key in switch and turn to momentary “start” position. If seacock is closed, the yellow warning light illuminates.
2. Open seacock for overboard discharge. Turn key to momentary “start”, and allow key to return to “on” position. Green light indicates pump is running.
3. When tank monitor indicates “empty” discharge pump will turn off automatically. Close seacock, then turn key to left and remove from switch.

# Fully Automatic SeaLand® DTD Systems

Complete holding tank management for offshore boats

Combined with SeaLand discharge pump and DTM04 four-level tank monitor system (sold separately), DTD01A or DTD02A tank discharge controls offer fully automated monitoring and discharge of holding tank contents. When re-entering restricted “no discharge” waters, the switch can be turned off and the key removed for U.S. Coast Guard-approved security.

DTD01A discharge control



DTD02A discharge control with seacock warning light

**DTD Panel Dimensions – all models**  
3.25 in. w x 3.25 in. h / 83 mm x 83 mm

### Key Benefits – DTD01A, DTD02A

- Automatically discharges holding tank contents directly overboard in unrestricted waters
- Automatically shuts off pump when discharge is complete
- DTD02A panel provides warning indicator and prevents discharge pump operation if seacock is closed; prevents pump or boat damage

### DTD Series Electrical Current Draw

	DTD01	DTD02	DTD01A	DTD02A
12V DC	0.16 A	0.16 A	0.16 A	0.16 A
24V DC	0.095 A	0.095 A	0.095 A	0.095 A

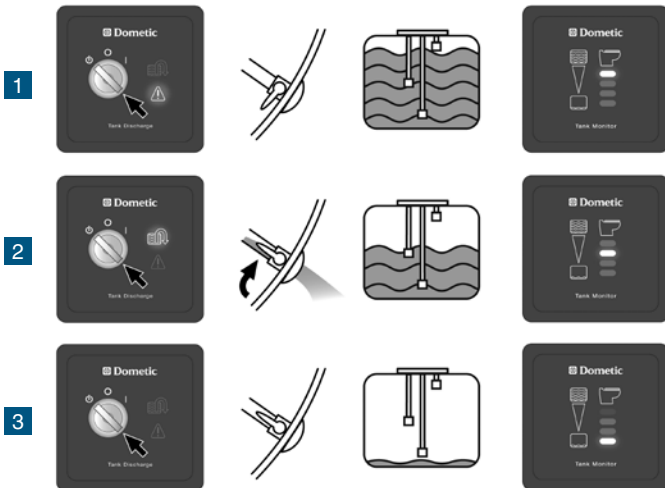
DTD draws electrical current only when discharge pump light or seacock warning light is illuminated.  
Maximum relay rating for 12V or 24V DC discharge pump: 20 amps.  
Float switch rating: 20 watts with resistive load (when used with DTM04 tank monitor system).  
Specifications subject to change without notice.

### Seacock interlock switches

DESCRIPTION	ITEM
Seacock interlock relay and switch for Conbraco 7014701	385310651
Seacock interlock relay and switch for Groco	385310705
Seacock interlock relay for Groco FBV1500	385010002

#### DTD01A\* and DTD02A control options

- Manual discharge pump operation and “closed seacock” warning indicator.
- Fully-automatic operation when connected to DTM04 tank monitor system and SeaLand discharge pump (see below).
  - When in open waters and automatic pump-out is desired, insert key and turn to automatic power position. If seacock is closed, the yellow warning light illuminates.
  - Open seacock for overboard discharge. As holding tank fills and a “mid” level is reached, discharge pump is activated. Green light indicates pump is running.
  - When effluent level activates “empty” tank probe, discharge pump automatically stops.



\* “Closed seacock” warning indicator functions do not apply to DTD01A.

### DTD Controls Product Information

MODEL	DESCRIPTION	PANEL COLOR	V DC	ITEM
DTD01	Discharge pump control panel; manual or semi-auto* operation	black	12	313814101
			24	313814103
		white	12	313814102
			24	313814104
DTD02	Discharge pump control and seacock warning panel; manual or semi-automatic* operation	black	12	313814201
			24	313814203
		white	12	313814202
			24	313814204
DTD01A	Discharge pump control panel; manual or fully automatic* operation	black	12	313814301
			24	313814303
		white	12	313814302
			24	313814304
DTD02A	Discharge pump control and seacock warning panel; manual or fully automatic* operation	black	12	313814401
			24	313814403
		white	12	313814402
			24	313814404

\* When used in combination with DTM04 tank monitor system. Specifications subject to change without notice.



# SeaLand® Waste Discharge Pump

Reliable offshore waste tank discharge



T series discharge pump

## T Series Waste Discharge Pump

For premium tank discharge performance, SeaLand T series pumps provide unsurpassed quality and reliability. Unlike impeller-type macerator pumps, the bellow-style T pump can run dry without threat of damage. Drawing only 6 amps at 12V DC.

In waters where overboard discharge of a waste holding tank is permitted, the T pump integrates with Dometic Tank Discharge (DTD) control systems\* for completely automated holding tank discharge.

\* Purchased separately

## T Series Pump Requirements

ELECTRICAL	Power draw (avg.)	6 amps @ 12 V DC; 3 amps @ 24 V DC
	Circuit breaker/fuse*	10 amps @ 12 V DC; 5 amps @ 24 V DC
PLUMBING	ID	1.5 in./38 mm sanitation hose or PVC pipe

\* Requires separate circuit breaker or fuse from other electrical equipment. Specifications subject to change without notice.

## Discharge and Suction Lifts (ft./m)

Discharge	0 / 0	2 / 0.6	4 / 1.2	6 / 1.8	8 / 2.4	10 / 3
Suction	10 / 3	8 / 2.4	6 / 1.8	4 / 1.2	2 / 0.6	0 / 0

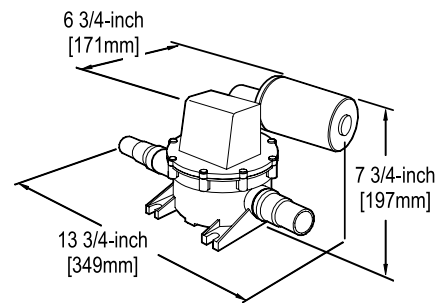
## Discharge Pump Model Specifications

MODEL	DESCRIPTION	WEIGHT*
317301200	12V DC T series discharge pump	7 lbs. / 3.2 kg
317302400	24V DC T series discharge pump	7 lbs. / 3.2 kg
314115012	12V DC SaniSump sump pump	10 lbs. / 4.5 kg
314115024	24V DC SaniSump sump pump	10 lbs. / 4.5 kg

\* Weight may vary ± 2-3 percent. Specifications subject to change without notice.

### Key Benefits

- Produces 300 gph (1136 lph) flow rate
- Runs dry without harm (prevents motor burn-up)
- Self-priming to 10 feet (3.3 m) of water
- Draws only 6 amps at 12V DC



## SaniSump™ Sump Pump

Great for fish box or other small, closed graywater systems. Includes 0.6-gallon (2.3-liter) collection tank.



- Passes solids up to 0.5 in. (13 mm) in diameter
- Delivers 5 gpm (18.9 lpm) flow rate
- No messy screen to clean

# SeaLand® ECO Holding Tank Vent Filter

## Advanced Odor Removal – Easy to Install & Replace

With the first major change to the original SeaLand vent filter in over 25 years, Dometic delivers everything boaters want in vent filter performance and serviceability.

The **innovative concave shape** of the SeaLand ECO vent filter assures that malodorous gases are completely filtered through activated odor-adsorbing charcoal media. The result is more thorough odor elimination – and the assurance of more enjoyable boating.

Designed as a **direct replacement for previous SeaLand and Dometic vent filters**, the new ECO vent filter fits in the same installation brackets as older models. Hose adapters for the most popular vent hose sizes are included with the complete vent filter kit (309311001). Threaded adapters are also included for replacement on many older SeaLand holding tank systems with built-in vent filter.

**Now constructed using recyclable plastics**, all SeaLand ECO filter components are much more ecologically friendly than previous SeaLand filters and many other current vent filters. The polypropylene hose adapters (plastic #5) for hose sizes or connections that are not needed for an installation can be immediately recycled. The eventually-replaced filter cartridge – made of HDPE (plastic #2) – can also be recycled when properly disposed.

The universal filter cartridge, **made with 55% less plastic than previous filter cartridges**, fits ALL OE-installed SeaLand ECO vent filters regardless of the vent hose size for easy replacement.



### Key Benefits

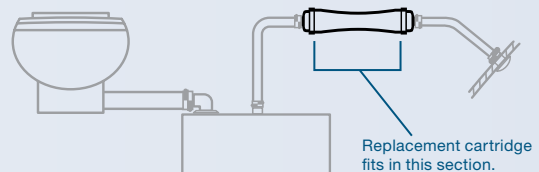
- Improved malodorous gas filtration
- New filter cartridge uses **55% less plastic** than previous SeaLand vent filter cartridge
- Earth-friendly, recyclable plastic components
- Fits in same space and brackets as previous SeaLand vent filters for easy change-over
- Complete kit includes fittings for popular vent hose ID sizes: 5/8 in., 3/4 in., 1 in., 1-1/2 in. (16mm, 19mm, 25mm, 38mm)
- One replacement cartridge fits all SeaLand ECO filter sizes



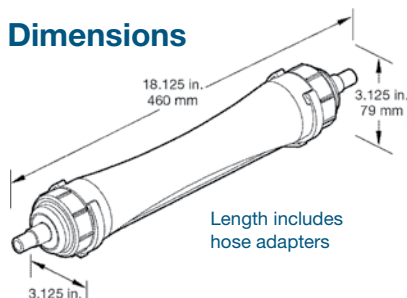
### Replaces previous Dometic/SeaLand vent filters\*

1. Remove spent vent filter cartridge from vent hose. **Do not cut hose.**
2. Attach provided hose adapters that match vent hose ID or threaded adapters to new ECO vent filter cartridge with retaining fasteners.
3. Install new ECO vent filter into existing SeaLand bracket.
4. Attach new ECO vent filter to existing vent hose with hose clamps or threaded adapters.

\* Includes most filters installed as part of a SeaLand HTS tank system.



### Dimensions



### SeaLand® ECO Vent Filter Specifications

MODEL	DESCRIPTION	ADAPTER FITTING SIZES *
309311001	Vent filter cartridge, mounting bracket, hardware, hose adapters	5/8 in. /16 mm, 3/4 in. /19 mm, 1 in. /25 mm, 1-1/2 in. /38 mm
309311002	Vent filter replacement cartridge only	DNA

\* Vent hose ID sizes required for installation. Specifications subject to change without notice.



# SaniGard™ Holding Tank Vent Filter

## More than 2.4 times better odor adsorption

While vent filters from other manufacturers continue to be developed, none have proven to be more effective at malodorous gas adsorption than the original SeaLand SaniGard™ vent filter. Our finely calibrated filter media remove the source of offensive odors from vent lines over 2.4 times better than the closest rated competitive filter.

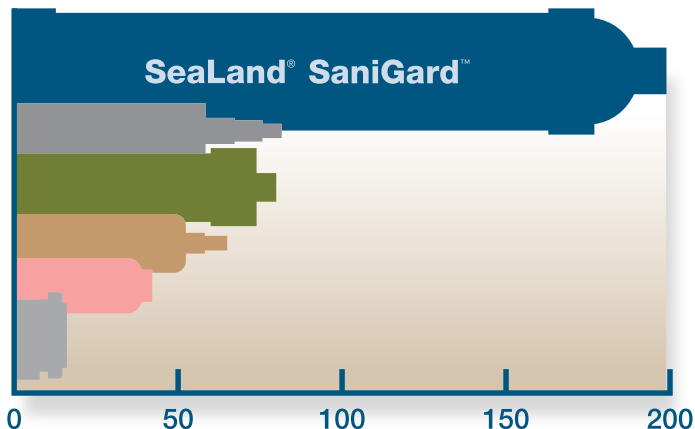


Chart indicates calculated capacity in grams of carbon disulfide that are adsorbed by each laboratory-tested\* vent filter. Based on this data, SeaLand SaniGard vent filters will outlast competitive filters by factors of 2.4 to 12.6 times longer.

\* Vent filter tests conducted by Intertek Group, Chicago, IL, USA.



### For optimum vent filter performance:

- Replace vent filter cartridge at beginning of every boating season.

Do not use “retrofit” kits or other less-effective filters. Dispose of complete expired cartridge and replace with authentic SaniGard vent filter – it’s the safest and surest way to long-lasting odor-free, trouble-free performance.

- Do not overfill holding tank – empty it on a regular basis.

Risk of flooding and deactivating a vent filter exists if holding tank contents enter the vent line. Install SeaLand tank level monitor system to help prevent waste tank overflow.

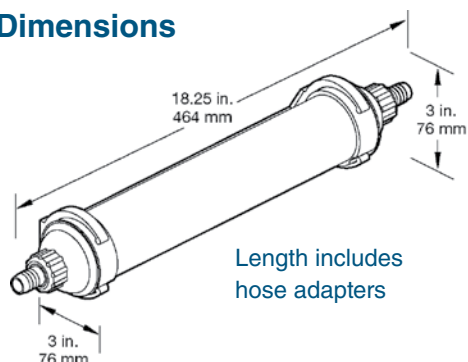
## SeaLand® SaniGard™ Vent Filter Specifications

MODEL	DESCRIPTION	FITTING SIZE *
309310002	Vent filter cartridge, mounting bracket, hardware	5/8 in. - 16 mm
309310001	Vent filter replacement cartridge only	5/8 in. - 16 mm
309310007	Vent filter cartridge, mounting bracket, hardware	3/4 in. - 19 mm
309310005	Vent filter cartridge, mounting bracket, hardware	1 in. - 25 mm
309310006	Vent filter replacement cartridge only	1 in. - 25 mm
309310003	Vent filter cartridge, mounting bracket, hardware	1-1/2 in. - 38 mm
309310004	Vent filter replacement cartridge only	1-1/2 in. - 38 mm

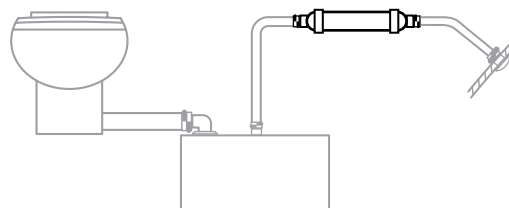
**CAUTION –** Do not use SaniGard vent filter for holding tanks with waste that is treated through onboard sewage treatment systems using chlorine or other strong oxidizing agents.

\* Vent hose ID required for installation. Specifications subject to change without notice.

### Dimensions



### Installation Diagram



# SeaLand® Sanitation Hoses

Premium resistance to odors; provides versatile uses

For every type of marine sanitation hose a boat builder may need, Dometic provides the most complete selection of grades and sizes available. OdorSafe® Plus hose continues to prove its superior quality as compared to other “no odor” hoses, delivering up to 500% greater protection against odor permeation. And MaxFlex™ hose is available in various sizes to meet all other sanitation and vent hose requirements.

## OdorSafe® Plus Sanitation Hose

- Best odor barrier of any marine hose
- Five year limited warranty – two years on hose replacement and labor; three additional years on hose replacement only
- Standard component on pre-plumbed SeaLand holding tank systems that require sanitation hose
- Available in 50 ft. (15.2 m) coils only

OdorSafe Plus sanitation hose



## MaxFlex™ Sanitation and Vent Hose

- Outstanding flexibility allows tight corners without restricting flow
- High strength, yet easy clamping for airtight connections
- Four diameters meet versatile sanitation hose applications
- Most sizes available in 50 ft. (15.2 m) and 100 ft. (32.4 m) coils

MaxFlex sanitation hose



## SeaLand Sanitation Hose Order Information

ITEM NUMBER	DESCRIPTION
306342871	OdorSafe Plus 1.5 in. (38 mm) ID x 50 ft. (15.2 m) hose
306341116	MaxFlex 1.5 in. (38 mm) ID x 50 ft. (15.2 m) hose
306341145	MaxFlex 1 in. (25 mm) ID x 50 ft. (15.2 m) hose
306341628	MaxFlex 0.75 in. (19 mm) ID x 50 ft. (15.2 m) hose
306342590	MaxFlex 0.75 in. (19 mm) ID x 100 ft. (30.4 m) hose
306345650	MaxFlex 0.625 in. (16 mm) ID x 50 ft. (15.2 m) hose
306345688	MaxFlex 0.625 in. (16 mm) ID x 100 ft. (30.4 m) hose

## Dometic Hose Lubricant

Silicone grease, translucent white, odorless.

- Allows easier sanitation hose-to-fitting connection
- 0.2 oz. (6 g) tube



ITEM	DESCRIPTION
385320014	Dometic hose lubricant – 50 tubes/carton

# SeaLand® Plumbing Fittings and Valves

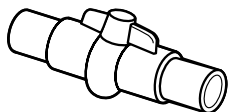
## For use with flexible marine sanitation hose

### Ball and Check Valves

For use with OdorSafe® Plus 1.5 in. (38 mm) ID hose

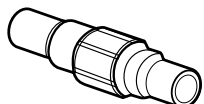
#### Ball Valve

- Non-corroding PVC with polymer-coated seals



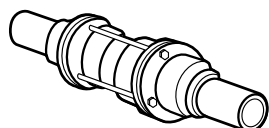
#### Check Valve

- For light-duty applications



#### In-Line Check Valve

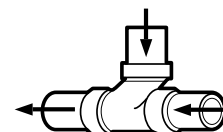
- For heavy-use applications
- Check valve can be replaced without removing hoses



ITEM	DESCRIPTION
308346087	Ball valve – 1.5 in. (38 mm)
308238696	Check valve – 1.5 in. (38 mm)
308300011	In-line check valve – 1.5 in. (38 mm)

### Tee Kit

- Connects intersecting hose ends together per indicated flow
- Includes three adapters



### PVC 45° Street Ell

- Adapts to all 1.5 in. (38 mm) fittings shown here



### Reducing Adapter

- Connects 1.5 in. (38 mm) hose to 1 in. (25 mm) hose
- Includes one adapter



### PVC 90° Street Ell

- For tight corners
- Can be used with other PVC fittings shown here



### PVC Adapter

- Connects 1.5 in. (38 mm) hose with Custom Hose Adapter or rigid PVC pipe to 1.5 in. (38 mm) fitting



### Custom Hose Adapter

- Can be used with all 1.5 in. (38 mm) PVC fittings with socket connection
- Lubricated hose or cuff slides on easily



ITEM	DESCRIPTION
307230310	Hose mender kit
307230311	90° bend kit
307230312	Hose adapter kit
307230313	Double bend kit
307238798	Wye kit
307238802	Tee kit
307231104	45° street ell
307231113	Reducing adapter
307231161	PVC 90° street ell
307231425	PVC adapter
385341513	Custom hose adapter

### Hose Fittings

For use with OdorSafe® Plus 1.5 in. (38 mm) ID hose. Kits include Custom Hose Adapters.

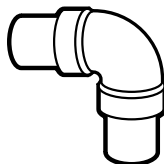
#### Hose Mender Kit

- Connects 1.5 in. (38 mm) hose ends together
- Includes two adapters



#### 90° Bend Kit

- Provides smooth sweep corner to eliminate kink
- Includes two adapters



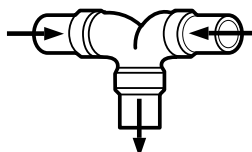
#### Hose Adapter Kit

- Connects 1.5 in. (38 mm) hose to 1.5 in. (38 mm) FPT fitting
- Includes one adapter



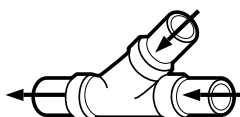
#### Double Bend Kit

- Connects intersecting hose ends together per indicated flow
- Includes three adapters



#### Wye Kit

- Connects intersecting hose ends together per indicated flow
- Includes three adapters



# SeaLand® Holding Tank Accessories

## Upgrade tank quality and performance

### Diptube Kit

Removes waste through top of tank – eliminates stagnant waste from sitting in discharge line connected at bottom of tank.

- Prevents clogging; reduces tank residual
- Fits tanks up to 30 in. (762 mm) high
- Easy to install



ITEM	DESCRIPTION
385310660	Holding tank diptube kit

### NozAll™ Pump-out Adapter

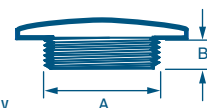
Provides airtight seal between rubber nozzle or cam-operated type pump-out station nozzle and most boats' waste deck pump-out fittings.

- Cleaner pump-outs – eliminates need for messy water source to assure sufficient vacuum
- Three sizes accommodate most pump-out fitting threads



Determining which NozAll adapter will fit a deck pump-out fitting requires two simple measurements from the cap of the deck fitting.

1. Measure the outside diameter (O.D.) of the cap threads (A).
2. Count the number of threads per 1/4-in. of thread length (B). Multiply that number by 4 to determine threads per inch (TPI).
3. Use chart below to determine to which NozAll item number the measurements apply.



ITEM	DESCRIPTION - MPT SIZE and TPI	DECK FITTING CAP O.D.	THREAD COUNT PER 1/4-IN.
310343502	1-1/2 in. MPT (38 mm), 11.5 TPI (4.5 tpcm)	1-7/8 in. (48 mm) OD	2-3/4
310343503	1-1/4 in. MPT (32 mm), 11.5 TPI (4.5 tpcm)	1-5/8 in. (41 mm) OD	2-3/4
310343504	1-1/4 in. MPT (32 mm), 16 TPI (6.3 tpcm)	1-5/8 in. (41 mm) OD	4

### Universal Level Indicator Kit

Permits easy upgrade from single to multiple level holding tank monitor system.

- Replaces individual TankWatch® probes
- Two probes lengths adjust to any tank size or desired indication level
- Integrates with any Dometic Tank Monitor system



ITEM	DESCRIPTION
385311253	Universal level indicator kit with 12-in. (305 mm) probe
385311254	Universal level indicator kit with 24-in. (610 mm) probe

### TankSaver® Relief Valve

Protects holding tanks from excessive suction of dockside pumps during holding tank pump-out.

- Installs easily – no sealant or spinweld required
- Excellent odor seal

ITEM	DESCRIPTION
313255247	TankSaver relief valve



### Universal Clean-out Kit

Provides convenient access to tank interior for inspection and cleaning.

- Installs easily on any rigid tank material
- Includes 3-in. (76 mm) inspection port and cap, O-ring, gasket and stainless steel hardware



ITEM	DESCRIPTION
307238685	Universal holding tank clean-out kit

### Universal Flange Kit

Allows Dometic Tank Monitor probe cap installation into existing holding tank.

- Creates 3-in. (76 mm) inspection port
- Includes threaded fitting, gasket and hardware



ITEM	DESCRIPTION
307230272	Universal flange kit

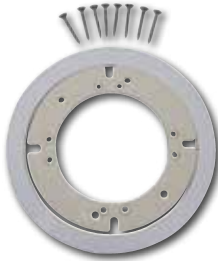
# SeaLand® Marine Toilet Parts

For all Dometic ceramic toilets

## Universal Mounting Kit

- For installing SeaLand®, Traveler® toilets with 4-bolt connections to existing 2-bolt floor flanges.

ITEM	DESCRIPTION
385310139	Universal mounting kit – white
385310140	Universal mounting kit – bone



## Toilet Bowl Seal Kits

- Replaces toilet bowl seals on SeaLand®, Traveler®, VacuFlush® toilets

ITEM	DESCRIPTION
385316140	Bowl seal kit – with overflow holes
385311462	Bowl seal kit – without overflow holes
385311009	Bowl seal kit for 3000, 3100, 3200, 3300, 4300, 4400, 4600, 4700, 4800 series toilets



## Water Valve Kit

- Replaces water valve on SeaLand®, Traveler®, VacuFlush® foot-pedal toilets.

ITEM	DESCRIPTION
385314349	Water valve for foot-pedal toilet *

\* Does not fit Dometic model 310 toilet



## Vacuum Breaker Kit

- Replaces vacuum breaker on SeaLand®, Traveler®, VacuFlush® and other Dometic toilets. Not for use with hand-held sprayer.

ITEM	DESCRIPTION
385316906	Vacuum breaker for 500+, other series toilets
385318065	Vacuum breaker for 500 series toilets



## Vacuum Breaker Kit

- Replaces vacuum breaker on SeaLand®, Traveler®, VacuFlush® toilets. For toilet with hand-held sprayer.

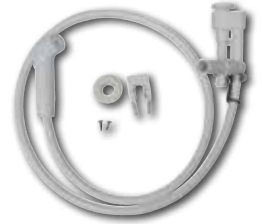
ITEM	DESCRIPTION
385230335	Vacuum breaker for 500+, other series toilets
385230325	Vacuum breaker for 500 series toilets



## Vacuum Breaker & Hand Sprayer Kit

- Replaces vacuum breaker with hand sprayer on SeaLand®, Traveler®, VacuFlush® toilets.

ITEM	DESCRIPTION
385319054	Vacuum breaker with white color hand sprayer
385319055	Vacuum breaker (for 500 series toilets) with white color hand sprayer
385319056	Vacuum breaker with chrome finish hand sprayer
385319057	Vacuum breaker with ebony color hand sprayer



## Flush Ball, Spring Cartridge & Shaft Kit

- Replaces flush ball, shaft and spring cartridge assembly on SeaLand®, Traveler®, VacuFlush® foot-pedal toilets\*.

\* Does not fit Dometic model 310 toilet

ITEM	DESCRIPTION
385318162	Ball/cartridge/shaft kit for vacuum toilet with metal pedal † – white
385310177	Ball/cartridge/shaft kit for vacuum toilet with metal pedal – ebony
385310681	Ball/cartridge/shaft kit for gravity-discharge toilet with all-plastic pedal – white
385310954	Ball/cartridge/shaft kit for vacuum toilet with all-plastic pedal – white
385236096	Spring cartridge only for toilet with metal pedal
385310683	Spring cartridge only for toilet with all-plastic pedal

† Metal pedal includes metal lever with 2-pc. plastic cover



## Floor Flange Seal Kit

- Replaces worn floor seal on SeaLand®, Traveler®, VacuFlush® toilets.

ITEM	DESCRIPTION
385310063	Floor flange seal kit, 4-bolt toilet
385311267	Floor flange seal, 2-bolt toilet



## Floor Flange

- For new installation or replacement of SeaLand® gravity-discharge toilets.

ITEM	DESCRIPTION
385343765	3-inch spigot floor flange
385345889	3-inch MPT floor flange
385345892	3-inch socket floor flange
385310961	3-inch, 45° swivel floor flange adapter



# SeaLand® Marine Toilet Parts

For Dometic portable toilets and VacuFlush® systems

## 960 Series Hold-down Brackets

- Secures 960 series portable toilet models to floor surface.

ITEM	DESCRIPTION
385310018	Short brackets for models 962, 964
385310239	Long brackets for models 965, 966



## 960 Series Latch Kit

- Replaces side latches on Dometic 960 series portable toilets.

ITEM	DESCRIPTION
385310066	Latch kit – white color
385310067	Latch kit – parchment color



## 960 Series Slide Valve Kit

- Replaces flush handle/slide valve assembly on 960 series portable toilets.

ITEM	DESCRIPTION
385239064	960 flush handle/slide valve kit



## 960 Series Spare Parts Kit

- Includes freshwater tank and waste tank caps, hinge pins, O-ring and handle clip.

ITEM	DESCRIPTION
385310572	960 series spare parts – parchment color
385310573	960 series spare parts – platinum color



## 970 Series Mounting Brackets

- Secures 970 series portable toilet models to floor surface.

ITEM	DESCRIPTION
385320005	Stainless steel mounting brackets and fasteners for 970 series toilets



## 970 Series MSD Fittings Kit

- Replaces MSD fittings on 974MSD, 975MSD models.
- Converts 972, 974, 975 or 976 models to MSD toilets.

ITEM	DESCRIPTION
385320006	MSD fittings for 972, 974 models
385320007	MSD fittings for 975, 976 models



## VacuFlush® Maintenance Kit

- Complete repair and spare parts kit for VacuFlush toilet system.

ITEM	DESCRIPTION
385310228	Includes water valve kit (385314349), seal kit (385316140), VacuFlush toilet owner's manual (600340066), vacuum tester (318530002), (2) 1.5-inch duckbill valve kits for S-series vacuum pump (385310076) and (2) 2-inch duckbill valve kits for J-series vacuum generator (385311208).



## Duckbill Valve Kits

- 1.5-inch (38 mm) dia. valve kit replaces worn or damaged duckbill valves in VacuFlush S-series vacuum pumps and vacuum generators, and SeaLand T-series waste discharge pumps.
- 2-inch (51 mm) dia. valve kit replaces worn or damaged duckbill valves in VacuFlush J-series vacuum generators and M-series vacuum pumps.



ITEM	DESCRIPTION
385310076	Two 1.5-in. duckbill valves
385311208	Two 2-in. duckbill valves
385311581	Four 2-in. duckbill valves

## Pump Bellows Kit

- Replaces worn or damaged bellows in J- and S-series vacuum pumps, and T-series discharge pump.
- Includes bushing and bolt.

ITEM	DESCRIPTION
385230980	Pump bellows, bushing and bolt



# SeaLand® Convenience Products

Premium comfort, proven value

Specially designed for VacuFlush®, MasterFlush®, and other marine toilets, SeaLand Toilet Tissues result in free-flowing, easy-discharging toilet systems – unlike other brands with adhesives that can prevent tissue from breaking apart.

## SeaLand® Rapid-dissolving Toilet Tissue

- Single-ply tissue provides home-like comfort
- 500 sheets per roll – made of 100% recycled fibers

## SeaLand® ULTRA 2-ply Toilet Tissue

- Extra-soft double-ply comfort in a rapid-dissolving tissue
- Breaks up quickly to prevent clogs
- 500 sheets per roll – made of 100% recycled fibers



**100% RECYCLED !**  
No dyes or perfumes

ITEM	DESCRIPTION
379441204	1-ply toilet tissue, 4 rolls, 500 sheets per roll
379441205	2-ply toilet tissue, 4 rolls, 500 sheets per roll

## SeaLand® Max Control Advanced Holding Tank Treatments

Get the most powerful, longest-lasting odor control without formaldehyde with this complete line of “Advanced” formula products. Designed by one of the world’s largest marine toilet manufacturers, these additives keep entire toilet systems in optimum working condition.

- Longest-lasting waste tank odor control – even in hot weather
- Breaks down waste and toilet tissue for clog-free performance, easy and thorough tank discharge
- Choice of liquid, drop-in or pre-measured granulated products
- Liquids are optimal for keeping VacuFlush® and other toilet system seals, valves, tanks and sensors clean and lubricated
- Translucent bottles include fluid level increment marks
- Drop-ins are compatible with MasterFlush® electric macerator toilets and SeaLand® gravity-discharge toilets



**TWO NEW ITEMS !**  
Convenient Drop-in Packets

ITEM	DESCRIPTION
379700025	3-pack 2-oz. pouches, Max Control Advanced granulated
379700026	1-gal. bottle, Max Control Advanced liquid
379700027	32-oz. bottle, Max Control Advanced liquid
379700029	4-pack 8-oz. bottles, Max Control Advanced liquid
379711001	◆ 12-pack, 1.5-oz. drop-ins, Max Control Advanced granulated
379711002	◆ Trial pack, 1.5-oz. drop-in, Max Control Advanced granulated

◆ Denotes new item number

# SeaLand® Convenience Products

## Multi-purpose Toilet Cleaners

### Clean 'n Green™ Bowl Cleaner and Tank Treatment

Clean any marine toilet, freshen the air, and control holding tank odors with this versatile 3-in-1 toilet system product. Each pre-measured drop-in packet effervesces on contact with bowl water to begin cleaning. Bubbling action also releases pleasant fragrance. After cleaning, natural enzymes help deodorize the holding tank.

- Pre-measured 2-oz. drop-in packets
- One treatment freshens air, cleans bowl, deodorizes tank
- Non-toxic, non-staining formula – 100% biodegradable
- Enzymes break down waste and toilet tissue
- One drop-in treats up to a 40-gallon (151 l) tank

ITEM	DESCRIPTION
379711201 ◆	12-count 2-oz. Clean 'n Green drop-ins, reusable tub
379711202 ◆	Trial pack 2-oz. Clean 'n Green drop-in, retail foil pouch

◆ Denotes new item number



**NEW PACKAGE !**



### SeaLand® Toilet Bowl & Seal Cleaner

Remove tough grime from toilets in two minutes with the powerful cleaning action of SeaLand Toilet Bowl & Seal Cleaner. It's formulated to dissolve mineral deposits that can build up over time – especially between the flush ball and bowl seal on many marine and RV toilets which can result in slow leaks if not periodically cleaned.

- Thick formula stays under rim; requires 20% less than other cleaners
- Fresh mint scent
- Non-toxic, biodegradable

ITEM	DESCRIPTION
379721601 ◆	26-oz. bottle, SeaLand Toilet Bowl & Seal Cleaner liquid

◆ Denotes new item number





# Notes

# Notes

# Notes



Dealer:

**DOMETIC CORPORATION, SANITATION DIVISION**  
13128 SR 226, PO Box 38 | Big Prairie, OH 44611 USA | 330-439-5550 | Fax 330-496-3097  
[www.DometicSanitation.com](http://www.DometicSanitation.com) | [sealand@dometic.com](mailto:sealand@dometic.com)