

TW Air Handler Wiring Diagrams

For Typical Air Handlers and Controls



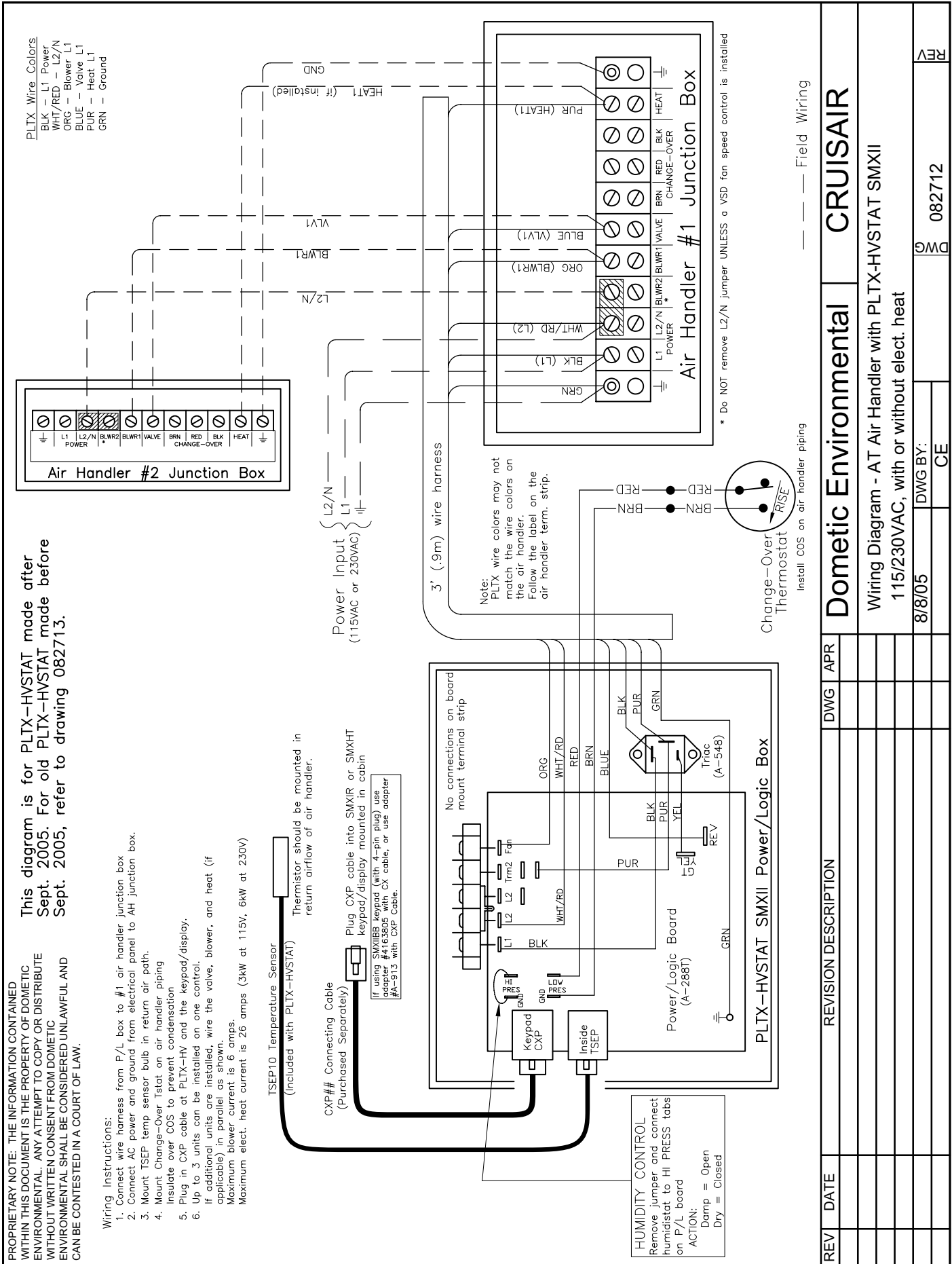
Revised: 10-14-05
L-0884 ♦ English



TW Air Handler Wiring Diagrams

Fig	Dwg #	Description
1	082712	AT Air Handler with PLTX-HVSTAT (after Sept. 2005)
2	082713	AT Air Handler with PLTX-HVSTAT (before Sept. 2005)
3	082714	AT-COS Air Handler with PLTX-HV
4	082715	AT FAMU with PLTX-HVSTAT
5	082716	AT-COS Air Handler with TS3-ZCB1
6	082717	AT Air Handler with PLTX-HVSTAT and VSD
7	HTE-077	PLTX-HV with air handler and BPAH remote valve
8	HTE-070	CBBL/CHBBL/CBLB with PLTX-HV
9	082567 & 082568	CBBL-CHBBL
10	082537 & 082569	CBLBL-CHBLBL
11	082720	AT-COS Air Handler with NPLTX - SMX Net
12	C3010001	AT6-36HV(Z) with COS Air Handler diagram
13	C3010002	AT4F(Z) with COS Air Handler diagram
14	C3010003	AT6-18F(Z) with COS Air Handler diagram
15	C3010004	Slim Line/Blow Thru - Remote Box with COS

Fig. 1 AT Air Handler with PLTX-HVSTAT (after Sept. 2005)



Domestic Environmental

Wiring Diagram - AT Air Handler with PLTX-HVSTAT SMXII
 115/230VAC, with or without elect. heat

8/8/05 DWG BY: CE

Domestic Environmental

CRUISAIR

082712 REV

Fig. 2 AT Air Handler with PLTX-HVSTAT (before Sept. 2005)

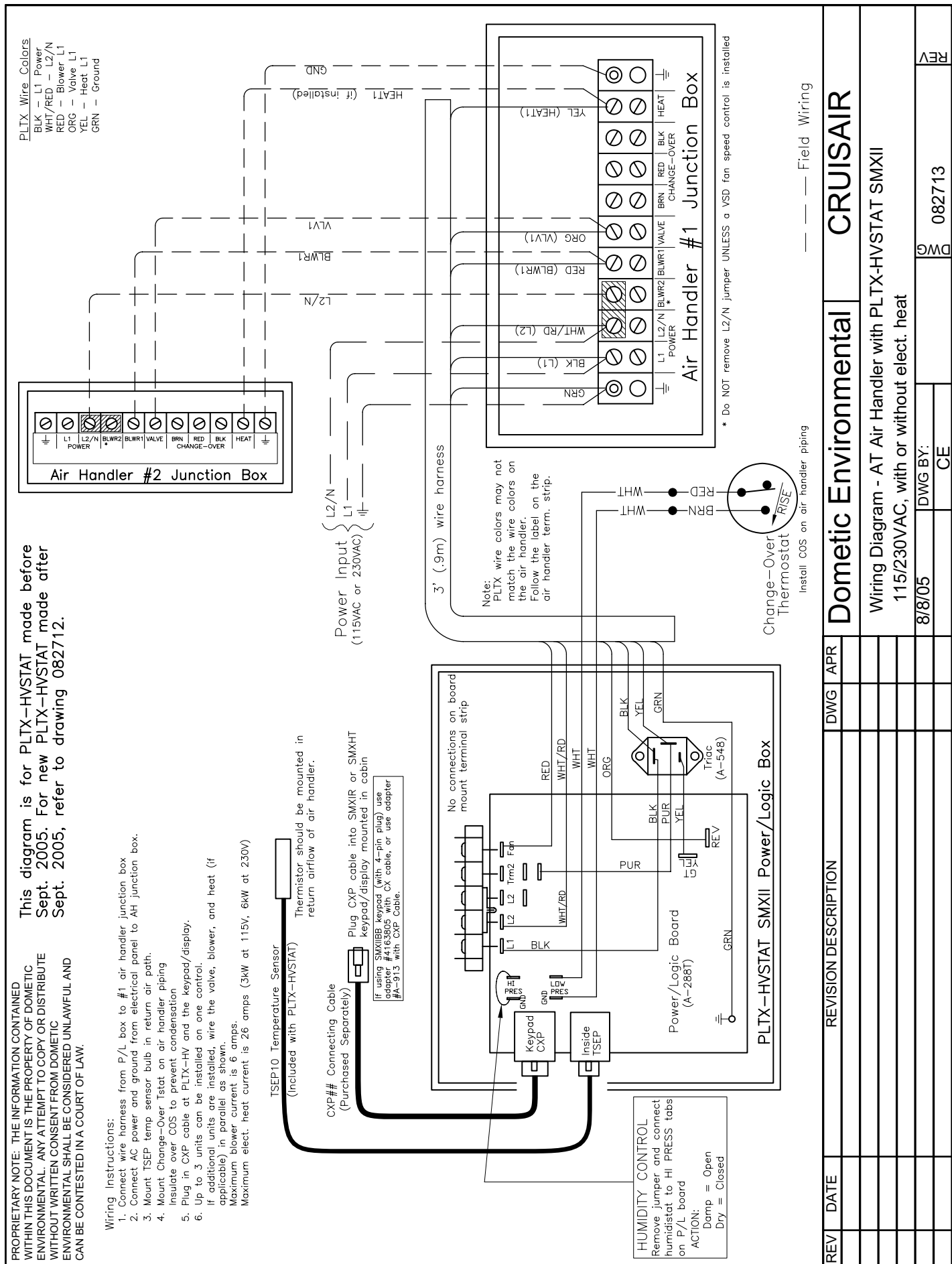


Fig. 3 AT-COS Air Handler with PLTX-HV

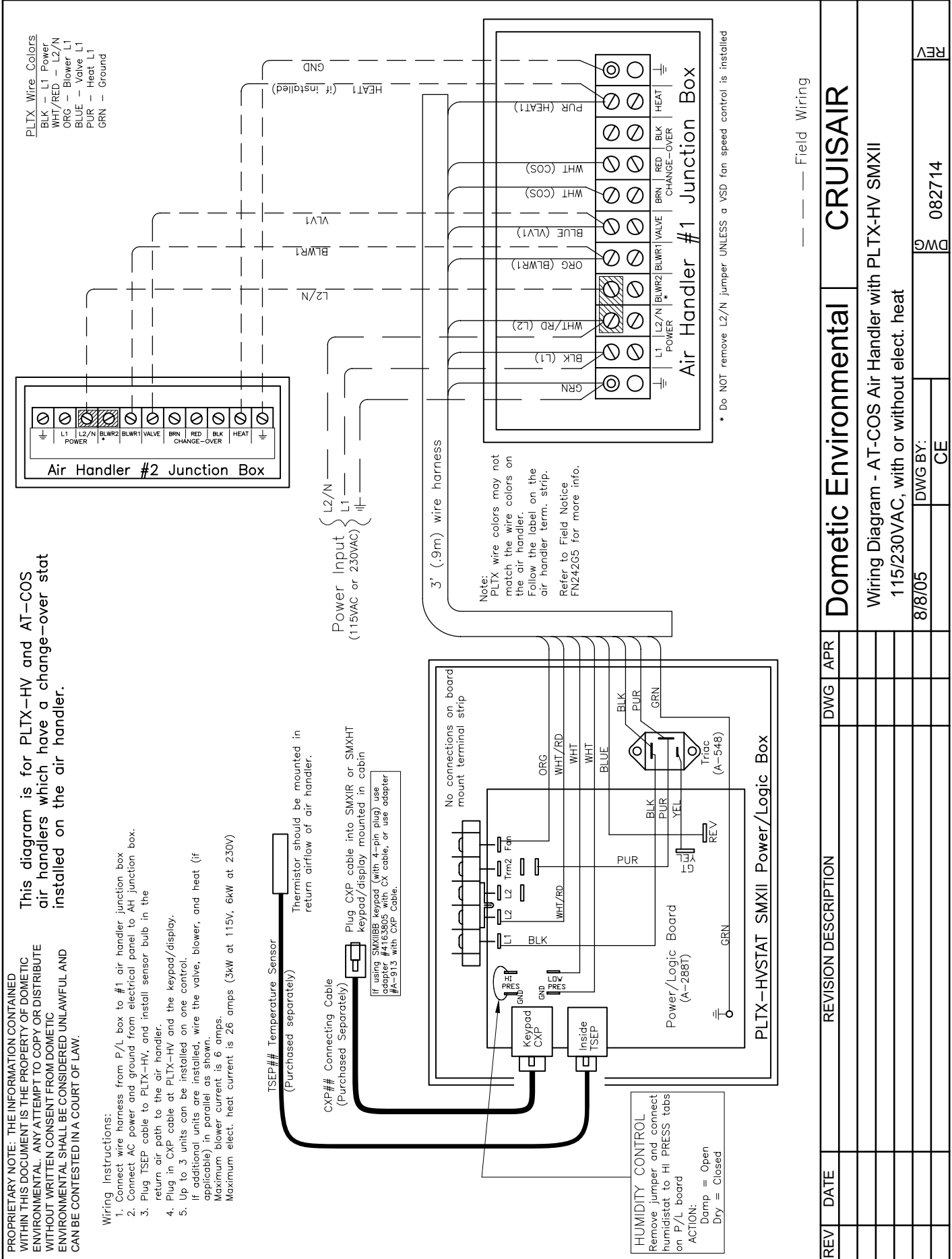


Fig. 4 AT FAMU with PLTX-HVSTAT

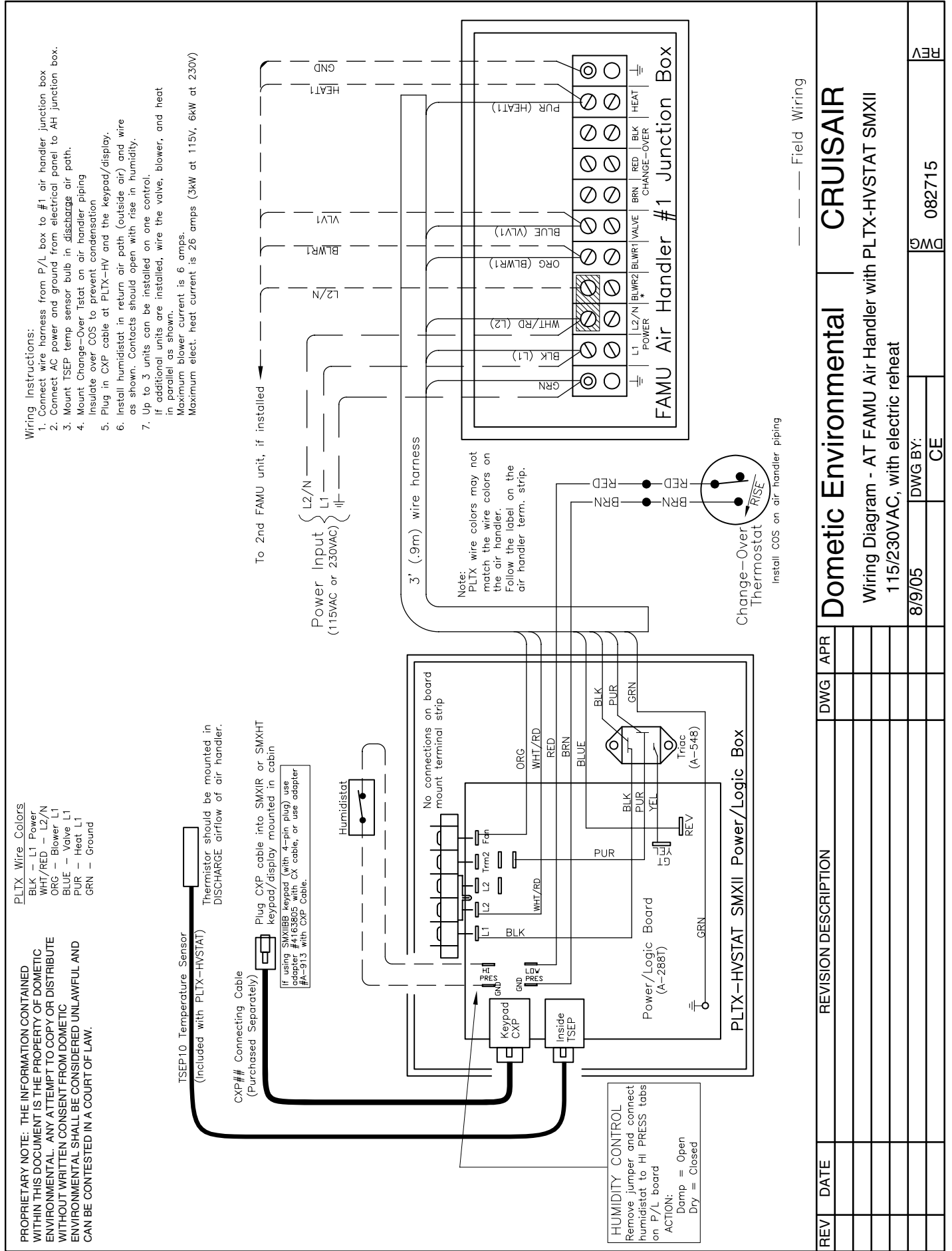


Fig. 5 AT-COS Air Handler with TS3-ZCB1

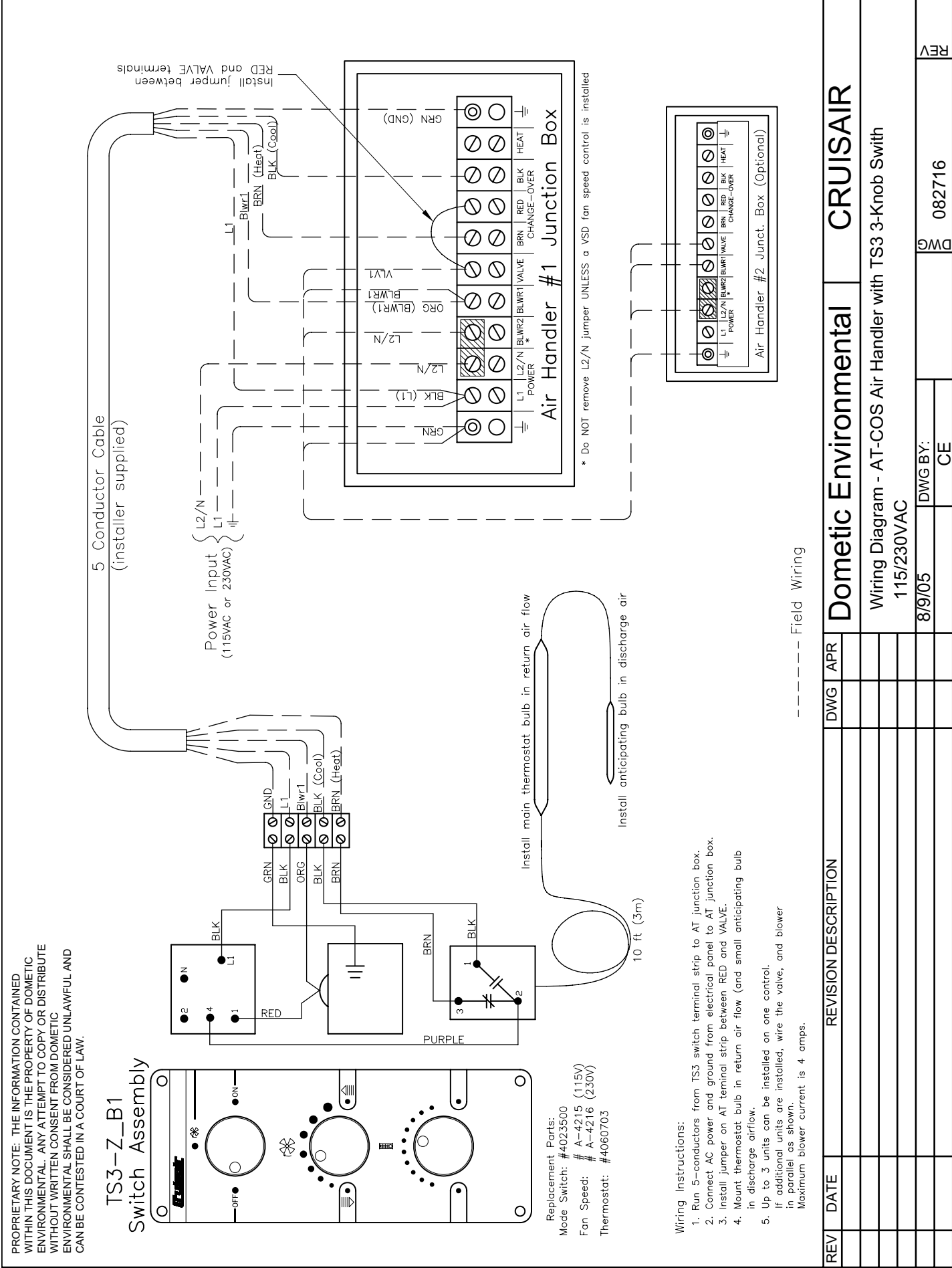
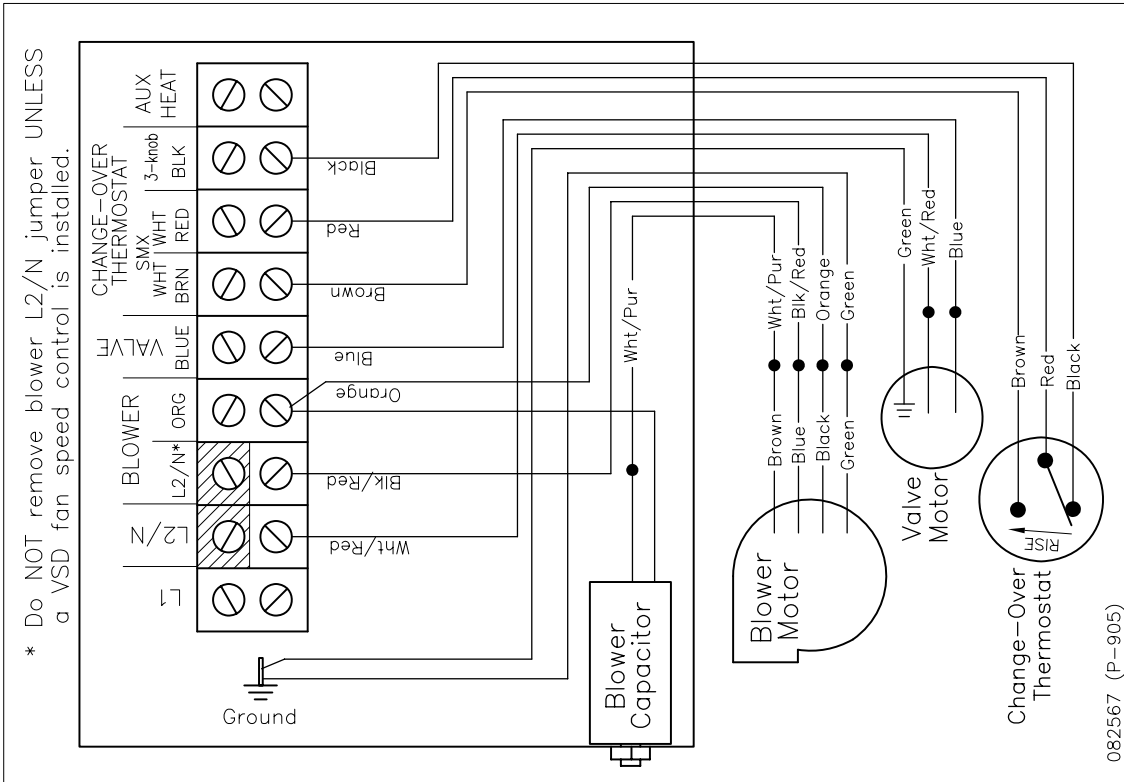
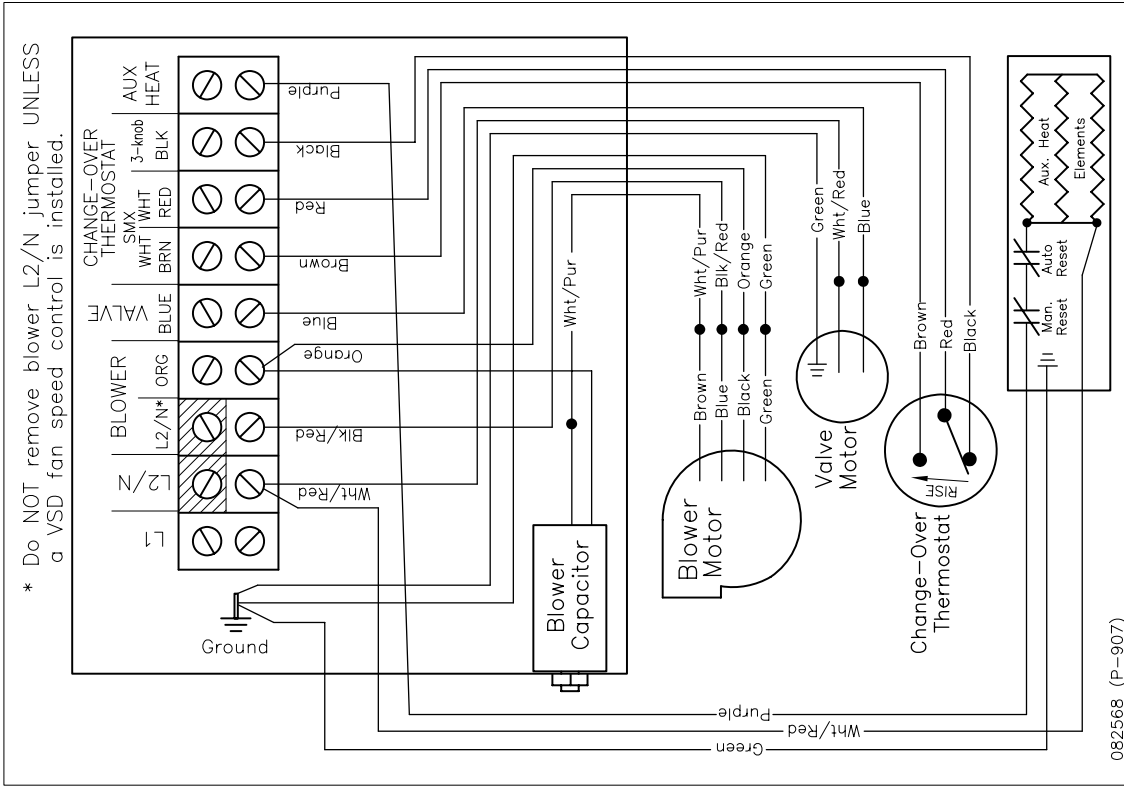


Fig. 9 CBBL-CHBBL



CBBL #082567

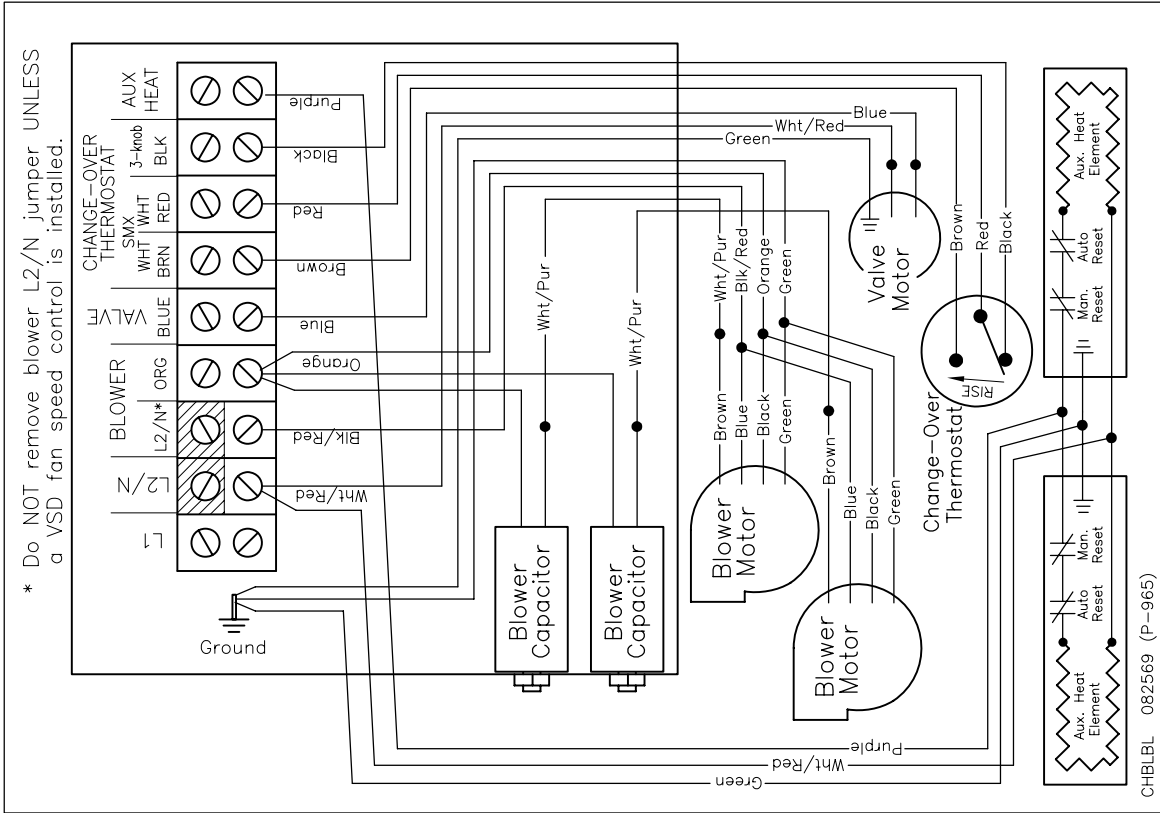
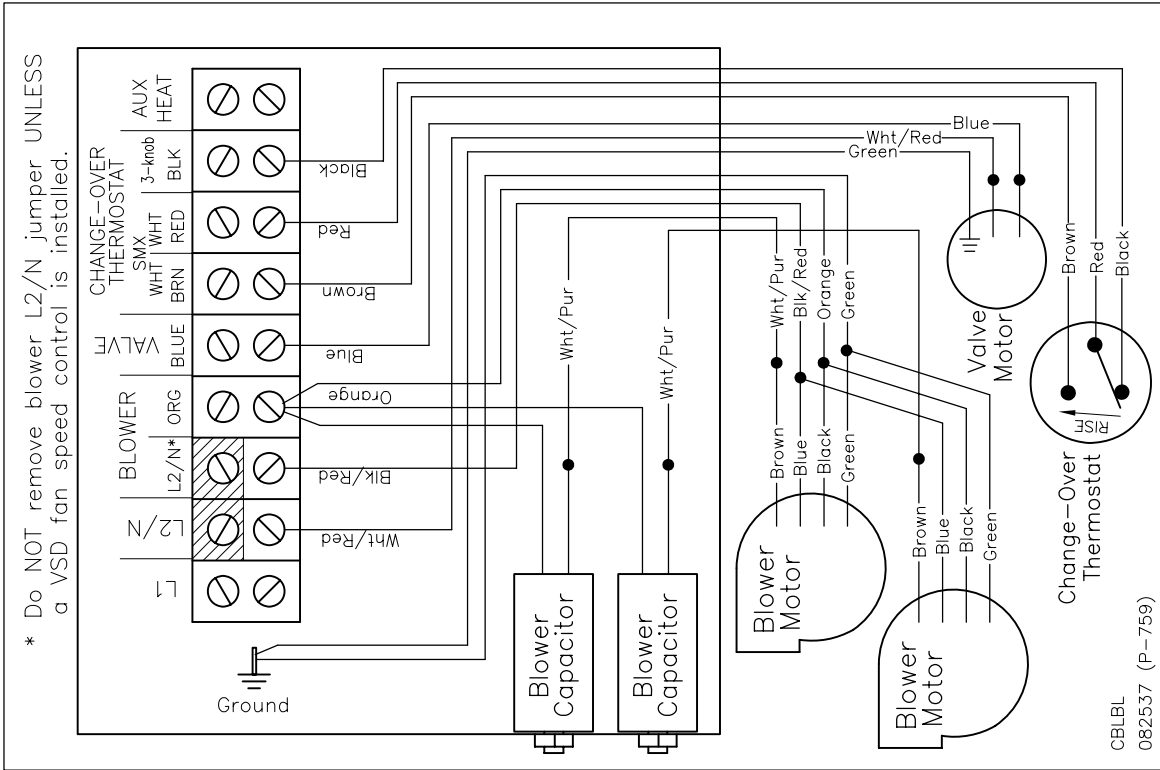


CHBBL #082568

Dometic Environmental Corporation - Cruisair
 Air Handler Wiring Diagrams
 CBBL & CHBBL

Drawn By: CE
Scale: none
Date: 1/03
Revised: - - -
Drawing Number: 082567 & 082568

Fig. 10 CBLBL-CHLBL



Dometic Environmental Corporation - Cruisair
CBLBL and CHLBL Wiring Diagrams

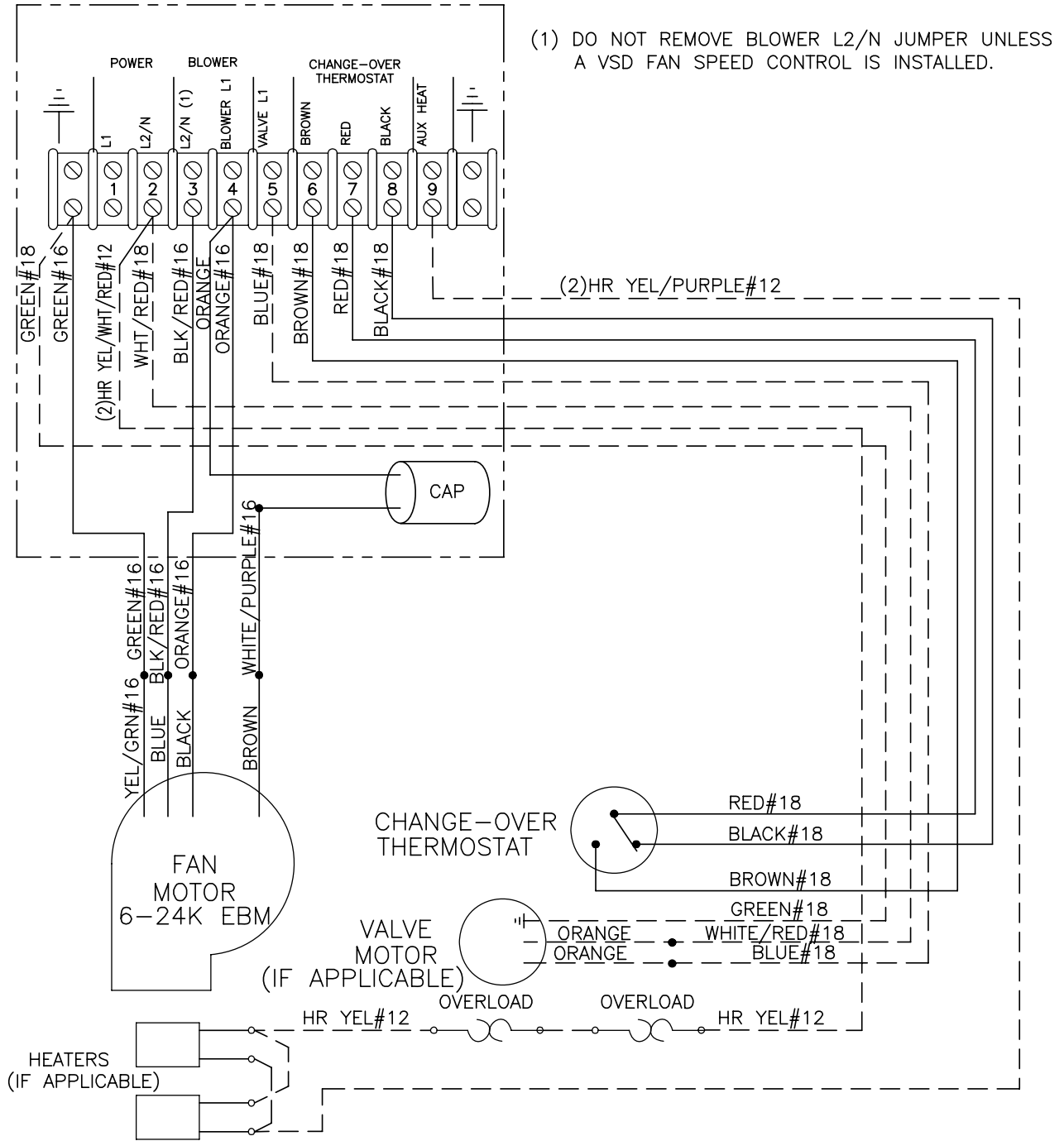
Drawn By: CE
 Scale: none
 Date: 2/03
 Revised: --

Drawing Number: 082537 & 082569

Fig 12. AT6-36HV(Z) with COS Air Handler diagram

PROPRIETARY NOTE: THE INFORMATION CONTAINED WITHIN THIS DOCUMENT IS THE PROPERTY OF DOMETIC CORPORATION. ANY ATTEMPT TO COPY OR DISTRIBUTE WITHOUT WRITTEN CONSENT FROM DOMETIC CORPORATION SHALL BE CONSIDERED UNLAWFUL AND CAN BE CONTESTED IN A COURT OF LAW.

REV	DATE	REVISION DESCRIPTION	DWG	APR
A	8/11/05	REVISED WIRE COLOR ON TERM#2,CAD462-05	DRR	JES



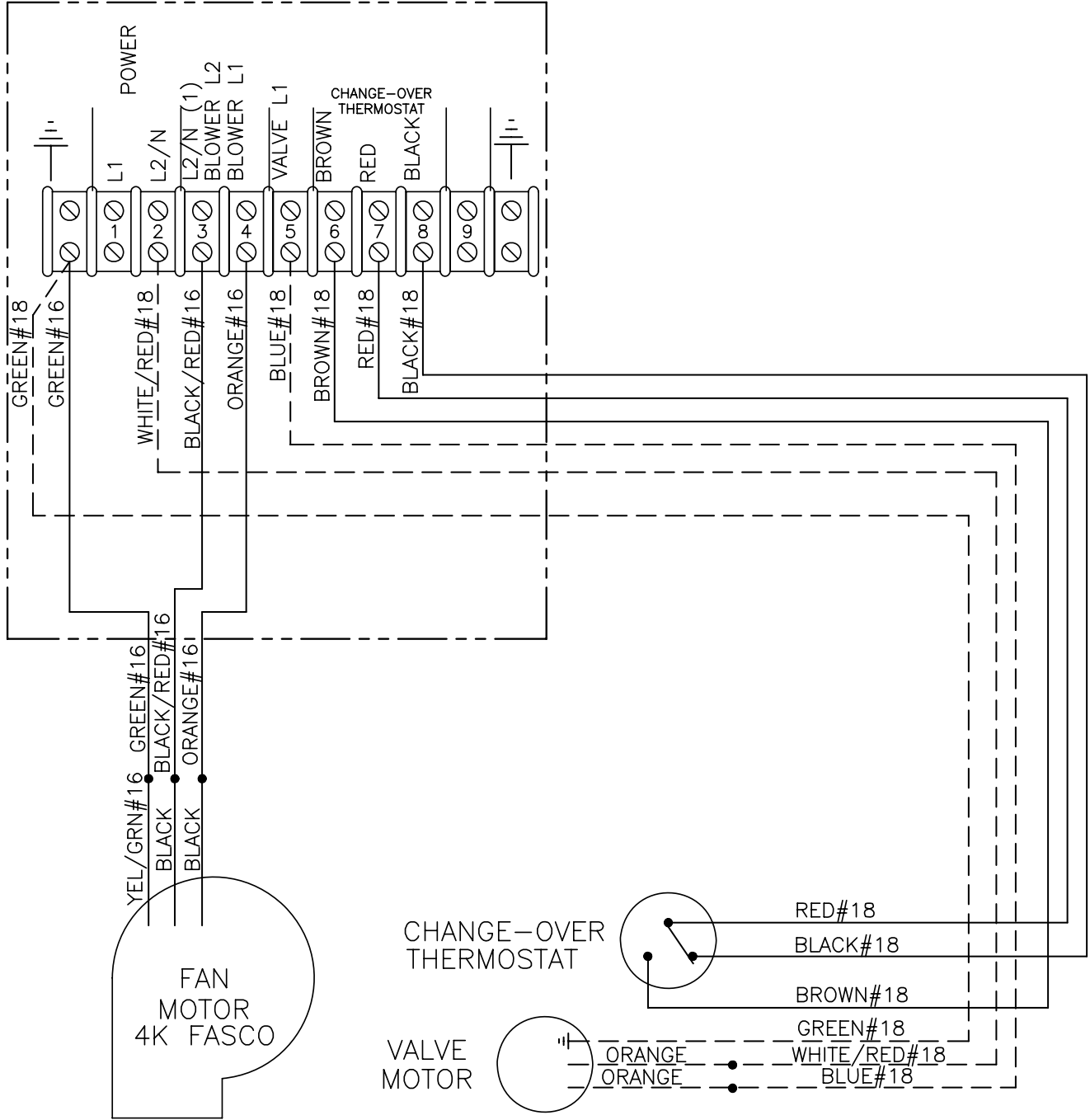
Dometic Environmental Corporation - Cruisair				
LABEL, WIRING DIAGRAM				
AT6-36HV(Z) COS				
DATE: 8/8/05	DWG BY: DRR	PART NUMBER: 0440081	DWG C3010001	REV A
SCALE: NTS	APR BY: JES			

DWG CREATED BY CAD451-05

Fig. 13 AT4F(Z) with COS Air Handler diagram

PROPRIETARY NOTE: THE INFORMATION CONTAINED WITHIN THIS DOCUMENT IS THE PROPERTY OF DOMETIC CORPORATION. ANY ATTEMPT TO COPY OR DISTRIBUTE WITHOUT WRITTEN CONSENT FROM DOMETIC CORPORATION SHALL BE CONSIDERED UNLAWFUL AND CAN BE CONTESTED IN A COURT OF LAW.

REV	DATE	REVISION DESCRIPTION	DWG	APR



Dometic Environmental Corporation - Cruisair				
LABEL, WIRING DIAGRAM AT4F(Z) COS				
DATE: 8/8/05	DWG BY: DRR	PART NUMBER: 0440082	DWG	REV O.I.
SCALE: NTS	APR BY: JES		C3010002	

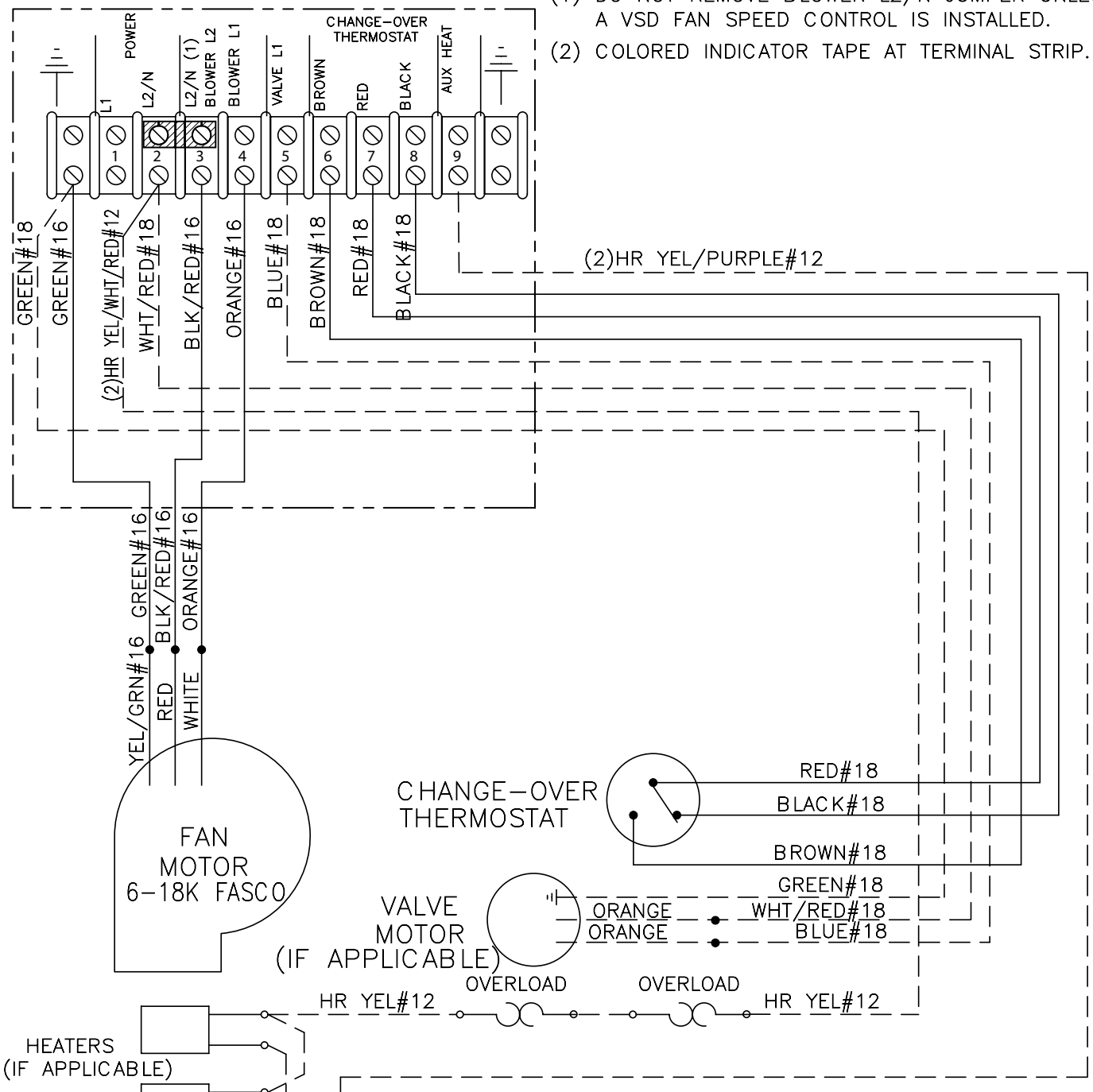
DWG CREATED BY CAD452-05

Fig. 14 AT6-18F(Z) with COS Air Handler diagram

PROPRIETARY NOTE: THE INFORMATION CONTAINED WITHIN THIS DOCUMENT IS THE PROPERTY OF DOMETIC CORPORATION. ANY ATTEMPT TO COPY OR DISTRIBUTE WITHOUT WRITTEN CONSENT FROM DOMETIC CORPORATION SHALL BE CONSIDERED UNLAWFUL AND CAN BE CONTESTED IN A COURT OF LAW.

REV	DATE	REVISION DESCRIPTION	DWG	APR

- (1) DO NOT REMOVE BLOWER L2/N JUMPER UNLESS A VSD FAN SPEED CONTROL IS INSTALLED.
- (2) COLORED INDICATOR TAPE AT TERMINAL STRIP.



Dometic Environmental Corporation - Cruisair

LABEL, WIRING DIAGRAM
AT6-18F(Z) COS

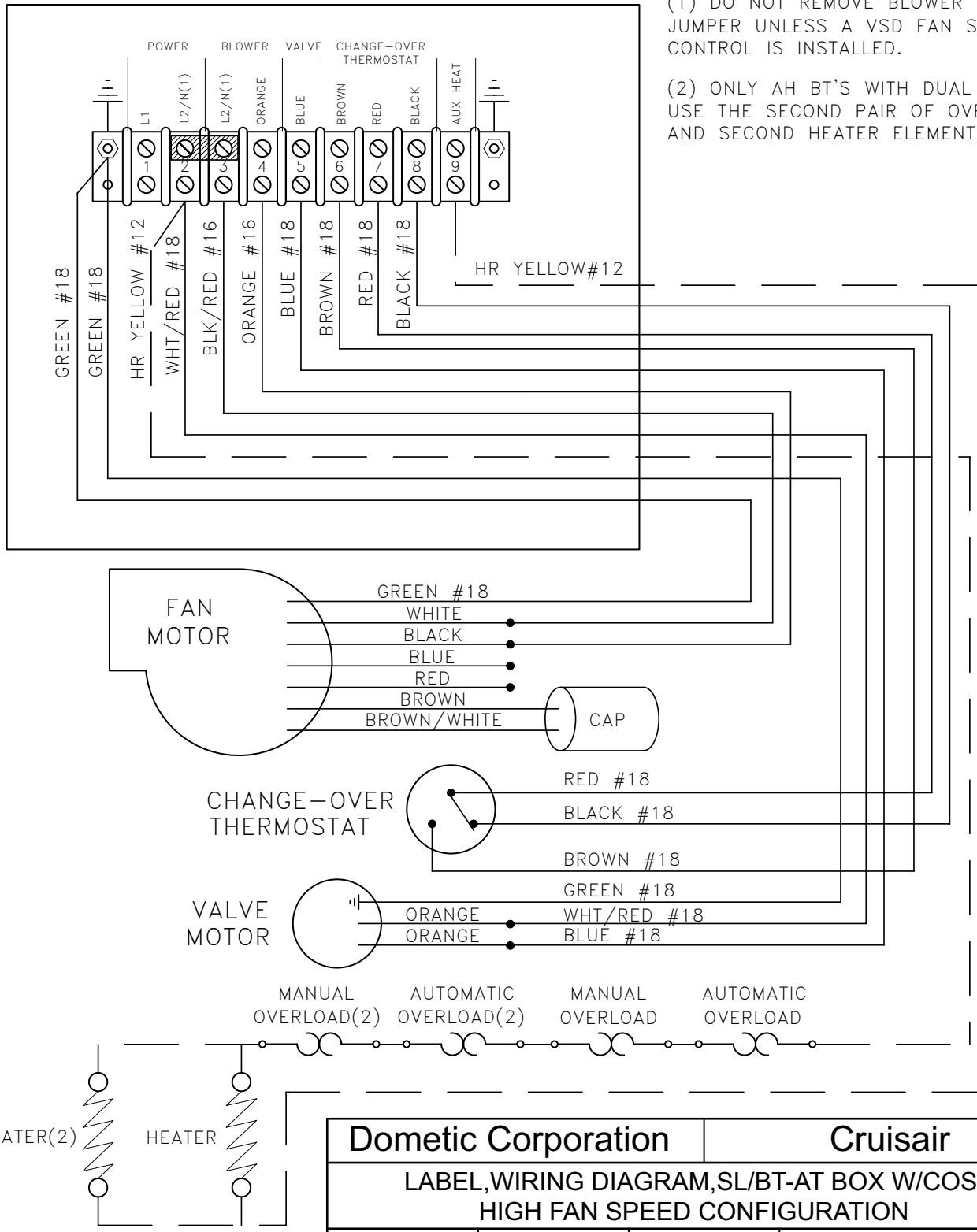
DATE: 8/8/05	DWG BY: DRR	PART NUMBER: 0440083	DWG	C3010003	REV O.I.
SCALE: NTS	APR BY: JES				

DWG CREATED BY CAD453-05

Fig. 15 Slim Line/Blow Thru - Remote Box with COS

PROPRIETARY NOTE: THE INFORMATION CONTAINED WITHIN THIS DOCUMENT IS THE PROPERTY OF DOMETIC CORPORATION. ANY ATTEMPT TO COPY OR DISTRIBUTE WITHOUT WRITTEN CONSENT FROM DOMETIC CORPORATION SHALL BE CONSIDERED UNLAWFUL AND CAN BE CONTESTED IN A COURT OF LAW.

REV	DATE	REVISION DESCRIPTION	DWG	APR
A	10/11/05	REVISED FOR DUAL HEAT,CAD553-05	DRR	JES



- (1) DO NOT REMOVE BLOWER L2/N JUMPER UNLESS A VSD FAN SPEED CONTROL IS INSTALLED.
- (2) ONLY AH BT'S WITH DUAL HEATERS USE THE SECOND PAIR OF OVERLOADS AND SECOND HEATER ELEMENT.

Dometic Corporation		Cruisair	
LABEL, WIRING DIAGRAM, SL/BT-AT BOX W/COS			
HIGH FAN SPEED CONFIGURATION			
DATE: 8/19/05	DWG BY: DRR	PART NUMBER: 0440084	DWG
SCALE: NTS	APR BY: JES		
C3010004			REV A

DWG CREATED BY CAD481-05



Dometic Environmental Corporation
P.O. Box 15299 • Richmond, VA 23227-0699 USA
Phone: 804-746-1313 • Facsimile: 804-746-7248

For Sales and Service Calls within Europe and the Middle East, please contact +44 (0) 870 330 6101

Website: www.cruisair.com • Email: sales@cruisair.com



L-0884