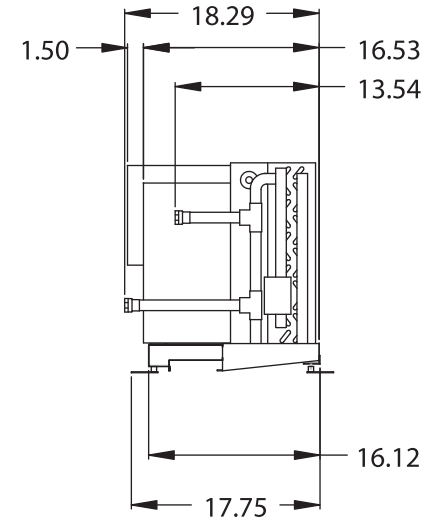
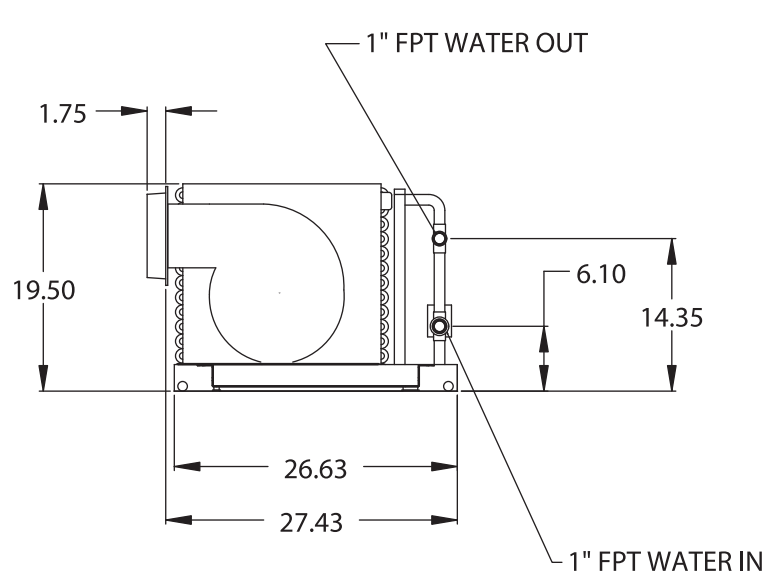
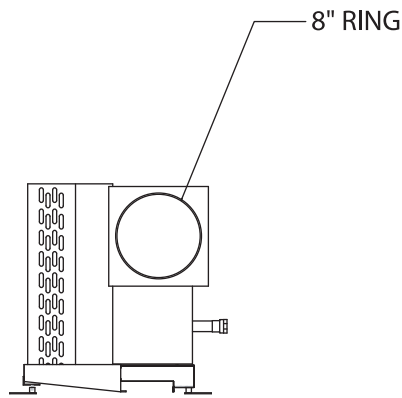


BLOWER SHOWN ROTATED 90°



REMOTE ELECTRIC BOX  
NOT SHOWN

STANDARD BOX: 6.13" x 8.00" x 2.00"  
FRESH AIR BOX(MU): 14.00" x 11.00" x 5.75"

DWG CREATED BY CAD836-03

ALL DIMENSIONS ±0.25"

WEIGHT = 60 LBS.

REV	DATE	REVISION DESCRIPTION	DWG	APR	Dometic Corporation				
A	6/28/04	REMOVED FLOW VALVE,CAD433-04	DRR	JES					AIR HANDLER AT36HVZ(MU)
B	12/7/04	ADDED ROT'D BLWR VIEW,UPDATED SHT METAL,CAD745-04	DRR	JES					
C	1/27/05	REVISED ELEC BOX DIMENSIONS,CAD080-05	DRR	JES					
					DATE: 1/16/04	DWG BY: DRR	PART NUMBER:	DWG H3020091	REV C
					SCALE: NTS	APR BY: JES	260-140196		