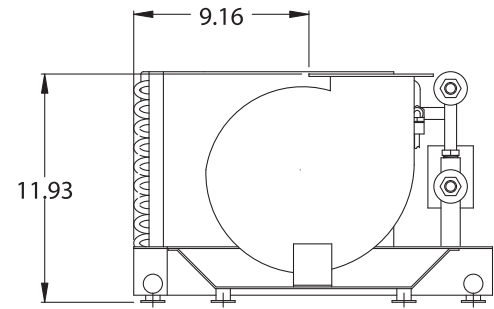
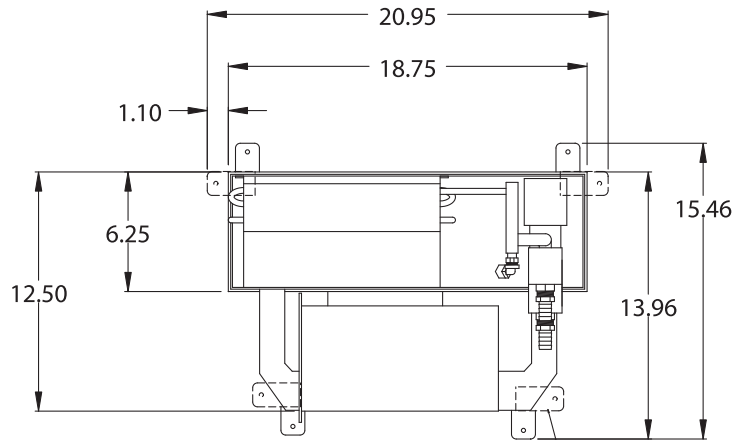
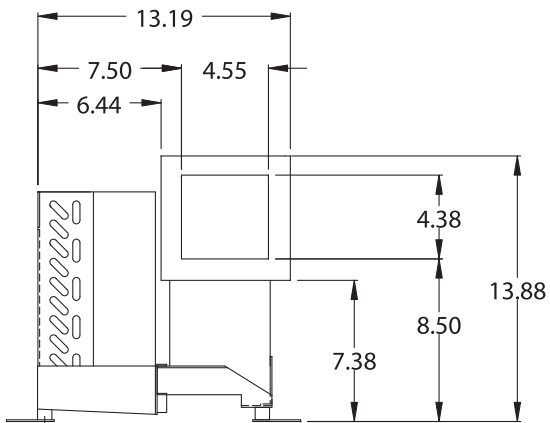


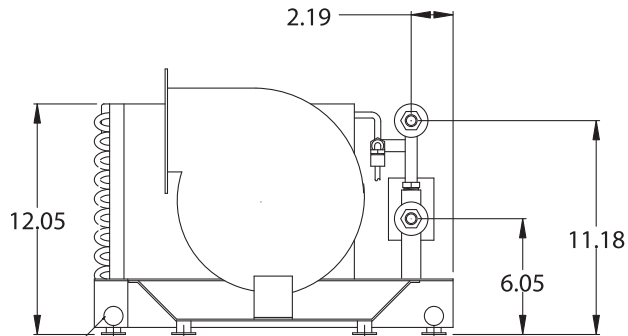
REMOTE ELEC. BOX
W/6' HARNESS



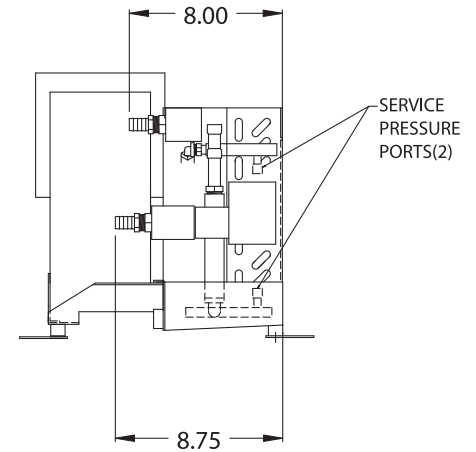
SHOWN WITH BLOWER
ROTATED 90°



DRAIN
TYP 2
1/2" NPT



MOUNTING FEET (4) CAN BE
ROTATED TO THE ALTERNATE
POSITIONS SHOWN.



ALL DIMENSIONS ±0.25"

WEIGHT = 24 LBS.

DWG CREATED BY CAD447-04

REV	DATE	REVISION DESCRIPTION	DWG	APR	Dometic Corporation					
A	8/18/04	ADD TOL. NOTE, BLOWER HEIGHT IN ROT VIEW, CAD575-04	DRR	JES	AT12HV AIR HANDLER					
B	1/27/05	REMOVED MARINE AIR, CAD082-05	DRR	JES						
					DATE: 6/30/04	DWG BY: DRR	PART NUMBER:	DWG	H3020097	REV B
					SCALE: 1:8	APR BY: JES	TBD			