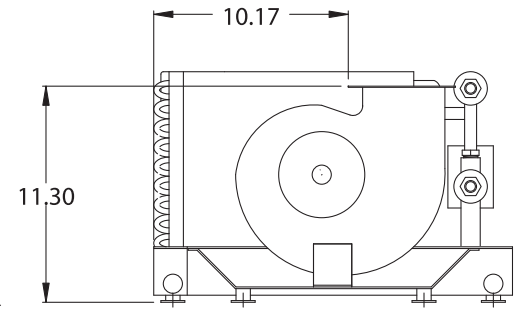
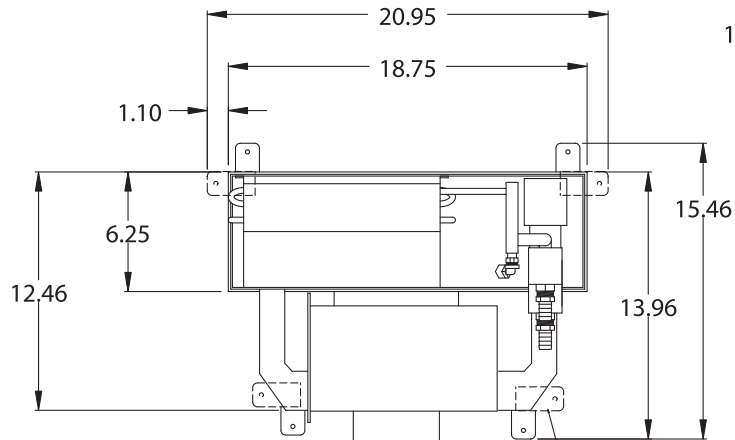
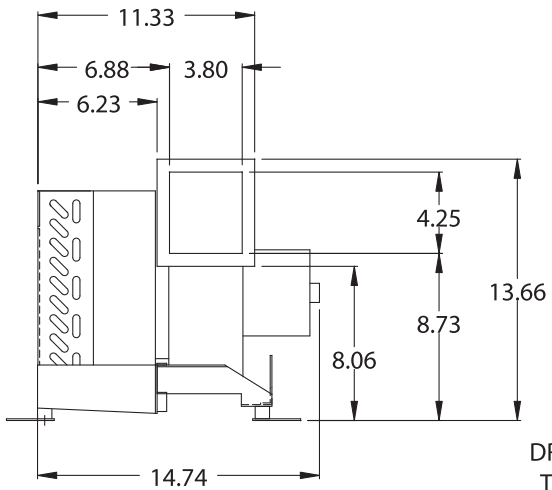


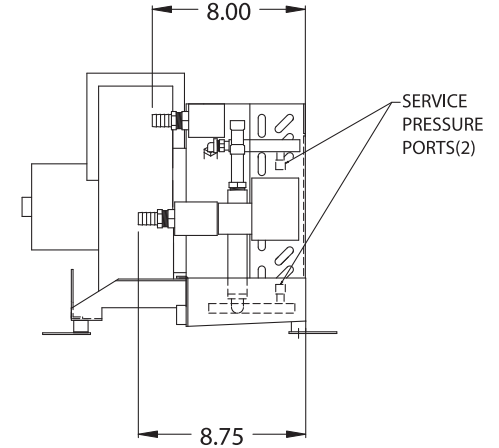
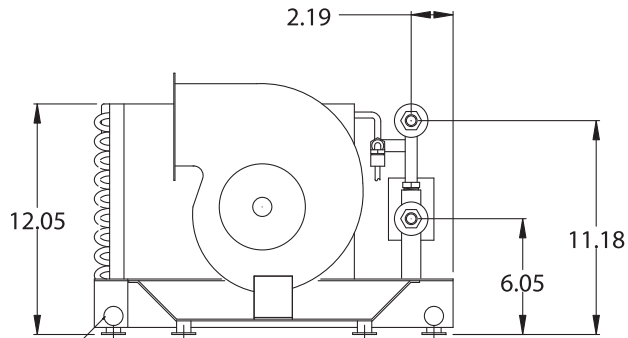
REMOTE ELEC. BOX
W/6' HARNESS



SHOWN WITH BLOWER
ROTATED 90°



DRAIN
TYP 2
1/2" NPT



ALL DIMENSIONS ±0.25"

WEIGHT = 25.7 LBS.

DWG CREATED BY CAD447-04

REV	DATE	REVISION DESCRIPTION	DWG	APR	Dometic Corporation					
A	8/18/04	ADDED BLOWER HEIGHT DIM IN ROTATED VIEW,CAD574-04	DRR	JES	AT12F AIR HANDLER					
B	1/27/05	REMOVED MARINE AIR & PRELIMINARY NOTE,CAD082-05	DRR	JES						
					DATE: 8/13/04	DWG BY: DRR	PART NUMBER:	DWG	H3020101	REV B
					SCALE: 1:8	APR BY: JES	TBD			