



Dometic Environmental Corporation

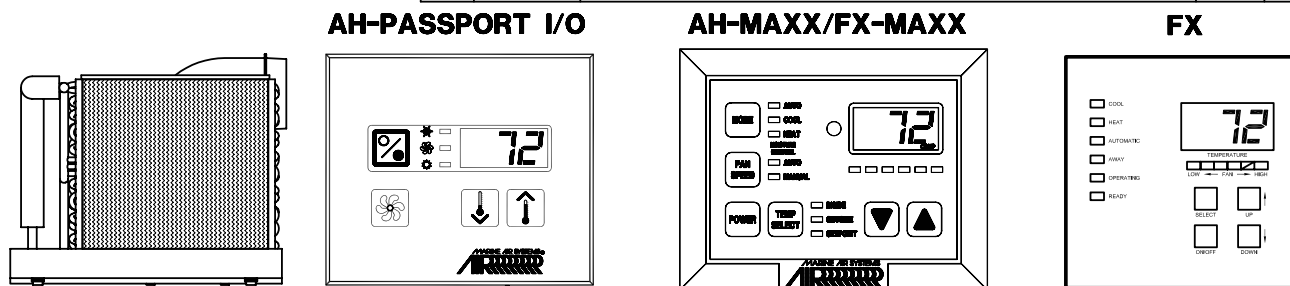
Air Handler Wiring Diagrams

Air Handler Wiring Diagrams - Table of Contents

Page	Drawing No.	Description
4	H4080007 D	NO-VALVE Air Handler Operation Instructions
5	H3010101 A	AH-Passport II to generic elec box
6	H3010102 B	AH-Passport I/O to generic elec box
7	H3010116	Elite-Passport I/O to AT wiring hookup schematic
8	H3010117	Elite-Passport I/O to AT-DC wiring hookup schematic
9	H3010071 E	2-Knob AH control to generic elec box (MCP-AH)
10	H3010103 D	3-Knob AH control to generic elec box (MCP-AH)
11	H3010104 A	FX/FX-Maxx to generic elec box
12	H7060014 D	AT4F(Z) Wiring Diagram
13	H7060015 D	AT6-18F(Z) Wiring Diagram
14	H7060012 F	AT6-36HV(Z) Wiring Diagram
15	H7060011 D	AT6-36HV(Z) with Shielded Cable Wiring Diagram
16	H7060024	AT6-36DCZ Label, Wiring Diagram
17	H7060028 B	AT6-36DCZ 415V Heat, Label, Wiring Diagram
18	H7060030	ATL 16K(Z) 115V-230 V, Label, Wiring Diagram
19	H3010106 K	AT18/24/36MU - 115, 208,230VAC/50-60HZ/ 1Ø Fresh Air Makeup
20	H3010108 A	AT18/24/36MU 208,230VAC/50-60Hz/1Ø Fresh Air Makeup
21	H3010110 B	AH Passport I/O to DC Blower
22	H3060034 C	AH6-36K-SLL Wiring Diagram Sticker
23	H3060030 C	AH6-24K-BT(Z) Wiring Diagram Sticker
24	H3010097 B	AH24-32FBZCH3 to AH-Passport I/O
25	H3060037 E	AH24/32FBZ3 Wiring Diagram Sticker
26	H7060003 L	Slim Line/BlowThru - Remote Box
27	C3010004 A	Slim Line/BlowThru - Remote Box with COS (CA)
28	082712	AT Air Handler with PLTX-HVSTAT (after Sept. 2005)
29	082712DC	AT-DC Air Handler with PLTX-HVSTAT SMXII
30	082713	AT Air Handler with PLTX-HVSTAT (before Sept. 2005)
31	082714	AT-COS Air Handler with PLTX-HV
32	082715	AT FAMU with PLTX-HVSTAT
33	082716	AT-COS Air Handler with TS3-ZCB1
34	082717	AT Air Handler with PLTX-HVSTAT and VSD
35	082720	AT-COS Air Handler with NPLTX - SMX Net
36	C3010001 A	AT6-36HV(Z) with COS Air Handler diagram
37	C3010002	AT4F(Z) with COS Air Handler diagram
38	C3010003	AT6-18F(Z) with COS Air Handler diagram

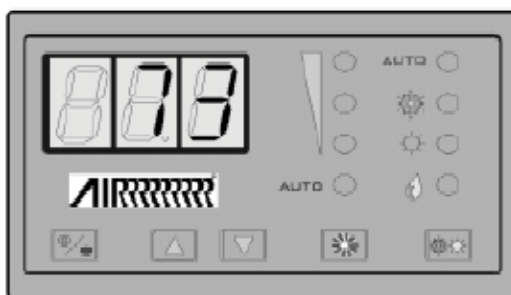
PROPRIETARY NOTE: THE INFORMATION CONTAINED WITHIN THIS DOCUMENT IS THE PROPERTY OF DOMETIC CORPORATION. ANY ATTEMPT TO COPY OR DISTRIBUTE WITHOUT WRITTEN CONSENT FROM DOMETIC CORPORATION SHALL BE CONSIDERED UNLAWFUL AND CAN BE CONTESTED IN A COURT OF LAW.

REV	DATE	REVISION DESCRIPTION	DWG	APR
A	11/9/98	MADE GENERIC FOR ALL AIR HANDLERS	DKM	D D
B	11/22/02	REVISED DWG AND NOTES,CAD679-02	DRR	PJM
C	2/6/03	REVISED FOR PASSPORT I/O UPGRADE,CAD083-03	DRR	JES
D	8/14/04	REVISED NOTES AND TEXT,CAD557-04	DRR	MFG



NO-VALVE AIR HANDLER

AH-ELITE



NOTICE

Change the following programmable parameters when using any Chilled Water Air Handler with NO VALVE:

AH-PASSPORT I/O: For units with a shaded-pole fan motor, P-16 must be set to "SP". For units with a split-capacitor motor, P-16 must be set to "SC". The fan operating mode must be changed from continuous ("con" - factory default) to cycle-on-demand ("CYC") by setting P-14 to "CYC".

AH-ELITE: For units with a shaded-pole fan motor, P-14 must be set to "SP". For units with a split-capacitor motor, P-14 must be set to "SC". The fan operating mode must be changed from continuous ("con" - factory default) to cycle-on-demand ("CYC") by pressing and holding the fan button for 5 seconds.

AH-Maxx: P-8 must be set to "OFF" for the fan to cycle on demand of the thermostat only (all units).

FX: P-14 must be set to "CYC" for the fan to cycle on demand of the thermostat only (all units).

FX-Maxx: P-13 must be set to "CYC" for the fan to cycle on demand of the thermostat only (all units).

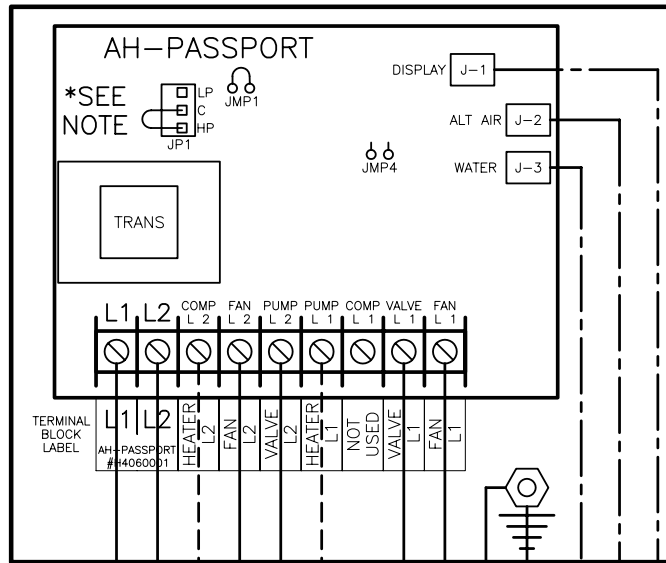
Dometic Corporation		Marine air	
OPERATION INSTRUCTIONS "NO-VALVE" AIR HANDLER			
DATE: 11/5/98	DWG BY: DKM	PART NUMBER: N/A	DWG H4080007
SCALE: NTS	APR BY: D D		REV D

PROPRIETARY NOTE: THE INFORMATION CONTAINED WITHIN THIS DOCUMENT IS THE PROPERTY OF DOMETIC CORPORATION. ANY ATTEMPT TO COPY OR DISTRIBUTE WITHOUT WRITTEN CONSENT FROM DOMETIC CORPORATION SHALL BE CONSIDERED UNLAWFUL AND CAN BE CONTESTED IN A COURT OF LAW.

REV	DATE	REVISION DESCRIPTION	DWG	APR
A	12/22/04	UPDATED FOR AT AIR HANDLER,CAD808-04	DRR	JES

REFERENCE DWG(S) H4060001 FOR TERMINAL BLOCK LABEL

ELECTRICAL BOX



***NOTE:**
 JUMPER #4 (JMP4)
 MUST BE CUT
 WHEN USING AS A
 CHILLED WATER AIR
 HANDLER CONTROLLER.

HIGH PRESSURE SWITCH
 MUST BE JUMPED ON
 BOARD.

L1
 N/L2
 GND
 115-230/50-60/1
 POWER SUPPLY

DISPLAY PANEL
 OPTIONAL ALT. AIR SENSOR
 WATER INLET SENSOR

AIR HANDLER JUNCTION BOX
 REFER TO THE DIAGRAM INDICATED
 ON THE AIR HANDLER'S LABEL.
 A COPY IS INSIDE THE JUNCTION BOX.

NOTE:
 "AT" AIRHANDLERS
 ONLY NEED ONE OF
 THESE WIRES.
 HOWEVER, IT MUST
 BE AT LEAST #12
 IF THE UNIT HAS
 ELECTRIC HEAT.

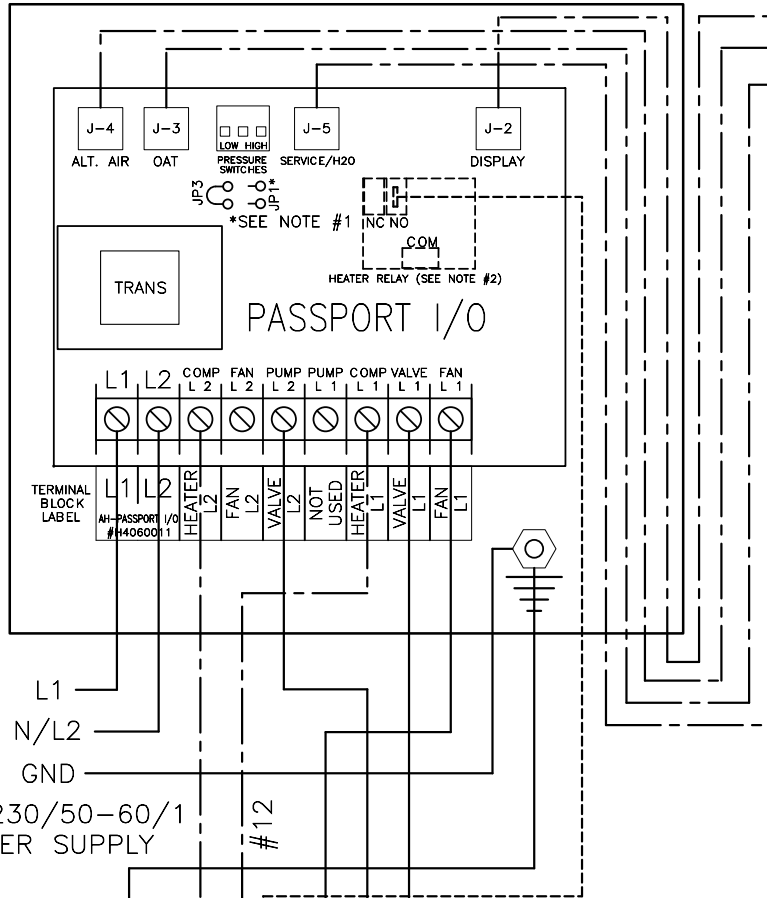
DWG CREATED BY CAD616-03

Dometic Corporation			
AH-PASSPORT WIRED TO CHILLED WATER AIR HANDLER			
115-230VAC/50-60HZ/1Ø			
DATE: 7/30/03	DWG BY: DRR	PART NUMBER: 293-510246	DWG H3010101 REV A
SCALE: NTS	APR BY: JES		

PROPRIETARY NOTE: THE INFORMATION CONTAINED WITHIN THIS DOCUMENT IS THE PROPERTY OF DOMETIC CORPORATION. ANY ATTEMPT TO COPY OR DISTRIBUTE WITHOUT WRITTEN CONSENT FROM DOMETIC CORPORATION SHALL BE CONSIDERED UNLAWFUL AND CAN BE CONTESTED IN A COURT OF LAW.

REV	DATE	REVISION DESCRIPTION	DWG	APR
A	12/22/04	UPDATE FOR AT AIR HANDLER, CAD807-04	DRR	JES
B	11/14/05	UPDATED FOR EH RELAY REMOVAL, CAD588-05	DRR	MFG

ELECTRICAL BOX



- - - - - DISPLAY PANEL
- - - - - OPTIONAL ALT. AIR SENSOR
- - - - - OPTIONAL OUTSIDE AIR SENSOR
- - - - - WATER INLET SENSOR

NOTE #1:
 JUMPER #1 (JP1)
 MUST BE CUT
 WHEN USING AS A
 CHILLED WATER AIR
 HANDLER CONTROLLER.

NOTE #2:
 ON BOARDS WITHOUT A
 HEATER RELAY INSTALLED,
 CONNECT HEATER L1 TO
 TERMINAL STRIP LOCATION
 MARKED AS "HEATER L1"

NOTE:
 "AT" AIRHANDLERS ONLY
 NEED ONE OF THESE
 WIRES. HOWEVER, IT MUST
 BE AT LEAST #12 IF THE
 UNIT HAS ELECTRIC HEAT.

SEE NOTE #2

AIR HANDLER JUNCTION BOX
 REFER TO THE DIAGRAM INDICATED
 ON THE AIR HANDLER'S LABEL.
 A COPY IS INSIDE THE JUNCTION BOX.

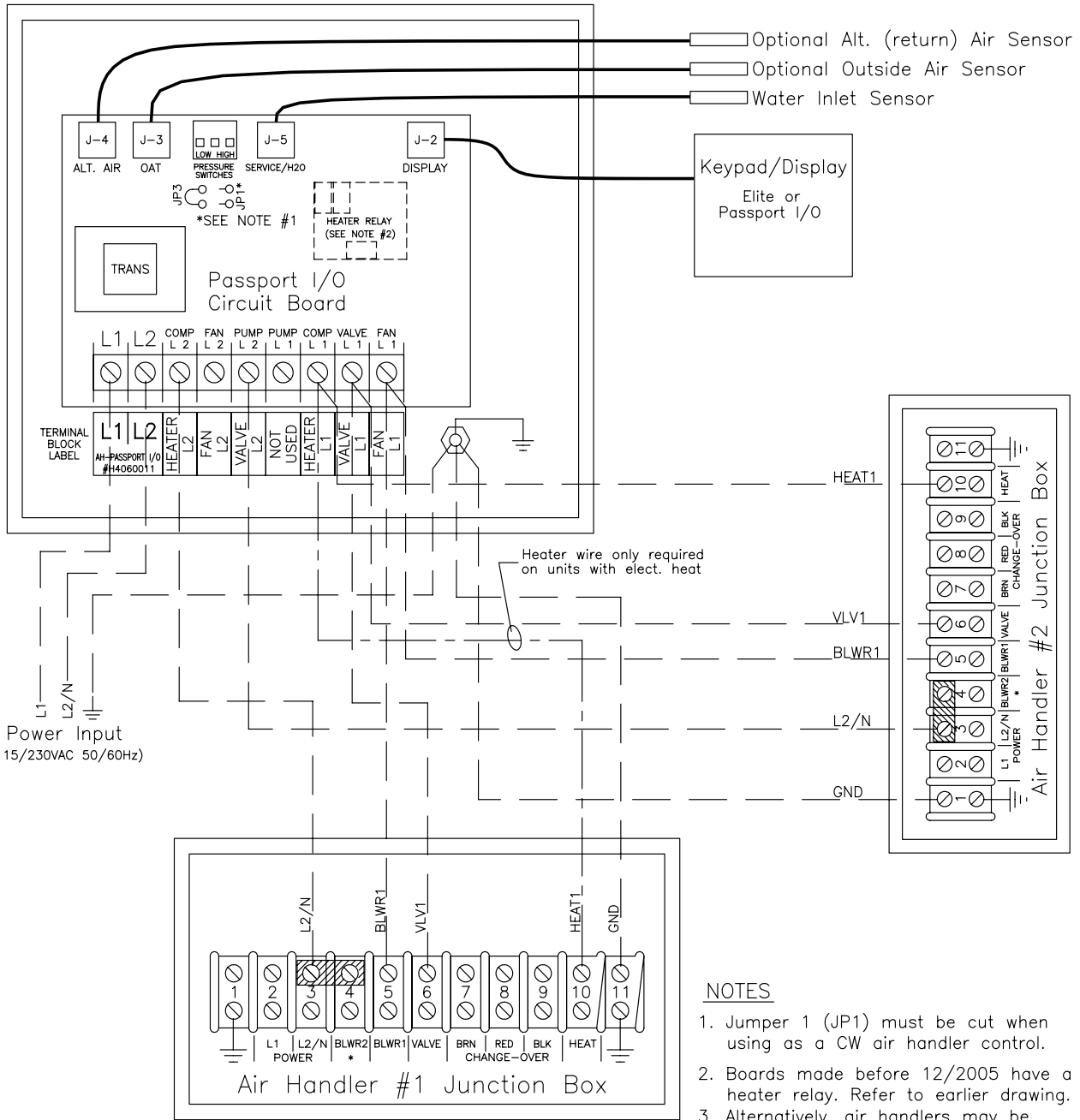
115-230/50-60/1
 POWER SUPPLY

DWG CREATED BY CAD618-03

Dometic Corporation			
AH PASSPORT I/O GENERIC WIRING DIAGRAM			
DATE: 7/30/03	DWG BY: DRR	PART NUMBER: 293-510247	DWG H3010102
SCALE: NTS	APR BY: JES		REV B

PROPRIETARY NOTE: THE INFORMATION CONTAINED WITHIN THIS DOCUMENT IS THE PROPERTY OF DOMETIC CORPORATION. ANY ATTEMPT TO COPY OR DISTRIBUTE WITHOUT WRITTEN CONSENT FROM DOMETIC CORPORATION SHALL BE CONSIDERED UNLAWFUL AND CAN BE CONTESTED IN A COURT OF LAW.

REV	DATE	REVISION DESCRIPTION	DWG	APR



NOTES

1. Jumper 1 (JP1) must be cut when using as a CW air handler control.
2. Boards made before 12/2005 have a heater relay. Refer to earlier drawing.
3. Alternatively, air handlers may be daisy-chained.

Up to 3 air handlers can be controlled by one Elite-Passprt I/O board.

Wire each in parallel as shown above, either from the #1 AH box, or directly from the Passport board.

Maximum current limits are:

Blower: 5 amps

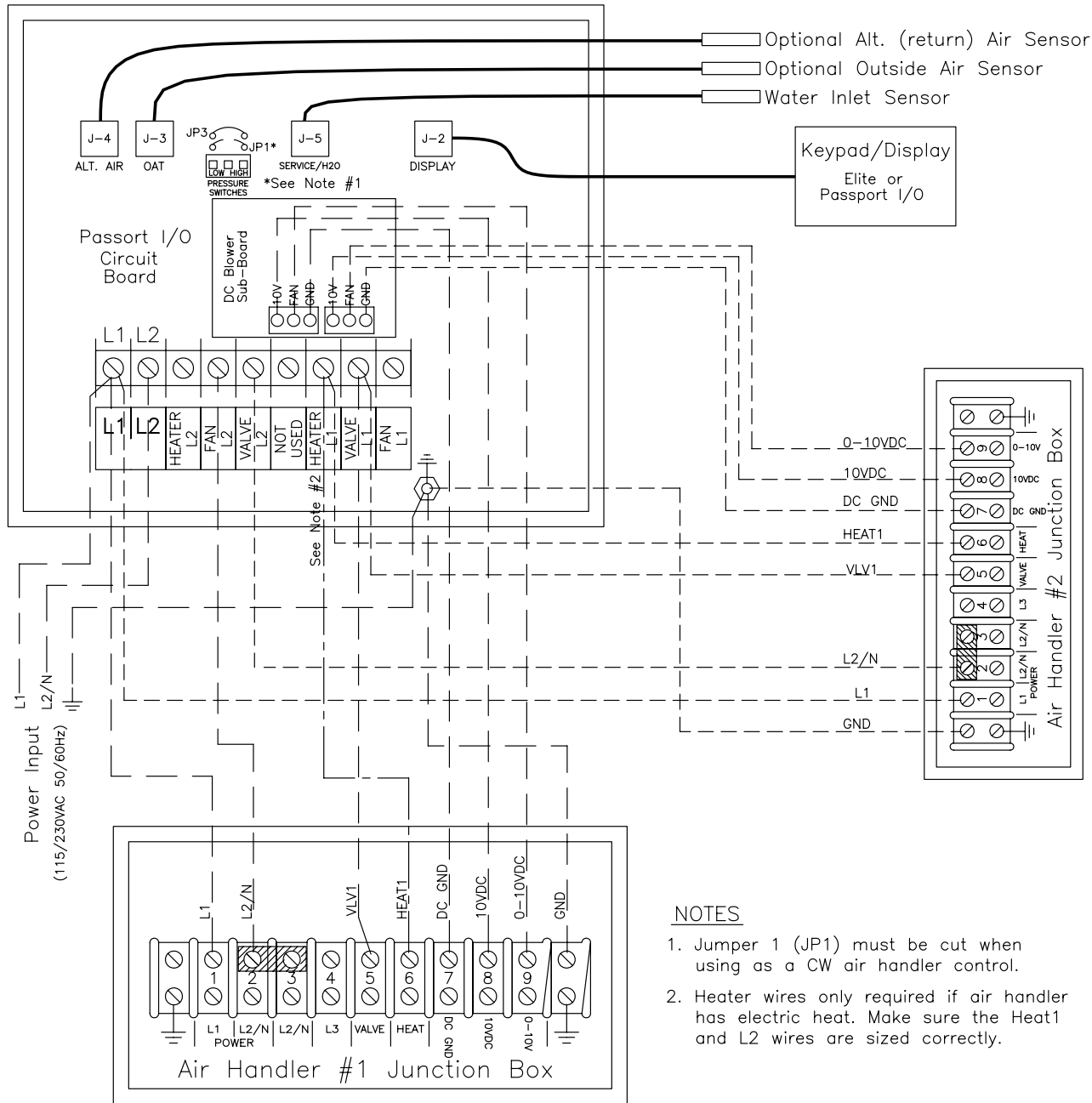
Heat: 26amps (6kW @ 230VAC)

Field Wiring — — —

Dometic Corporation		Marine Air	
WIRING SCHEMATIC			
Elite or Passport I/O to AT/other Air Handlers(NOT DC)			
DATE: 4/17/07	DWG BY: DRR	PART NUMBER: 0880067	DWG H3010116
SCALE: NTS	APR BY: JES		REV O.I.

PROPRIETARY NOTE: THE INFORMATION CONTAINED WITHIN THIS DOCUMENT IS THE PROPERTY OF DOMETIC CORPORATION. ANY ATTEMPT TO COPY OR DISTRIBUTE WITHOUT WRITTEN CONSENT FROM DOMETIC CORPORATION SHALL BE CONSIDERED UNLAWFUL AND CAN BE CONTESTED IN A COURT OF LAW.

REV	DATE	REVISION DESCRIPTION	DWG	APR



- NOTES**
1. Jumper 1 (JP1) must be cut when using as a CW air handler control.
 2. Heater wires only required if air handler has electric heat. Make sure the Heat1 and L2 wires are sized correctly.

Field Wiring (Unit #1) — — — —
 Field Wiring (Unit #2) - - - - -

Up to 2 DC air handlers can be from this Passport I/O kit. Refer to drawing H3010112 for 3 or 4 air handlers. (Requires special control box.)
 Maximum electric heat current limit is 26amps (6kW @ 230VAC).

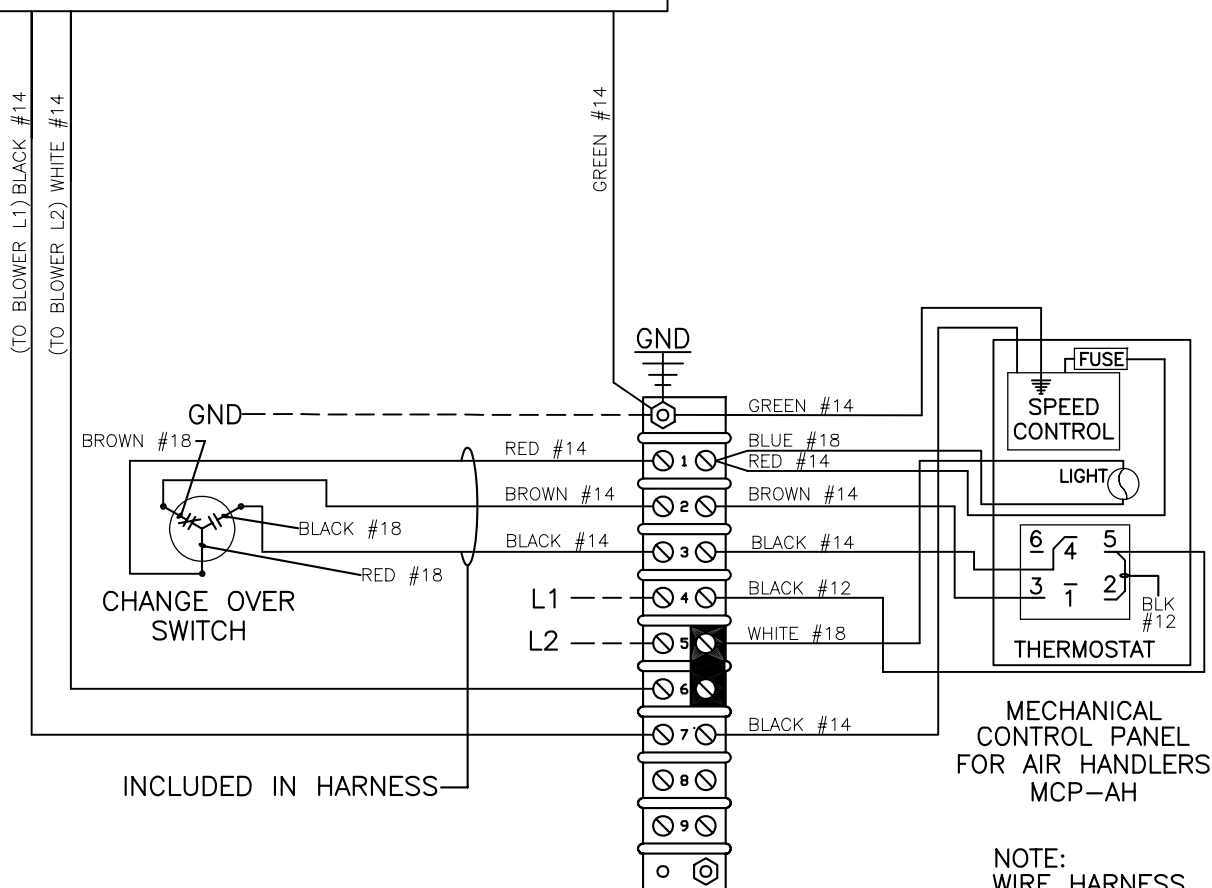
Dometic Corporation		Marine Air	
WIRING SCHEMATIC			
Elite or Passport I/O to AT-DC Air Handlers			
DATE: 4/17/07	DWG BY: DRR	PART NUMBER: 0880068	DWG H3010117
SCALE: NTS	APR BY: JES		REV O.I.

PROPRIETARY NOTE: THE INFORMATION CONTAINED WITHIN THIS DOCUMENT IS THE PROPERTY OF DOMETIC CORPORATION. ANY ATTEMPT TO COPY OR DISTRIBUTE WITHOUT WRITTEN CONSENT FROM DOMETIC CORPORATION SHALL BE CONSIDERED UNLAWFUL AND CAN BE CONTESTED IN A COURT OF LAW.

REV	DATE	REVISION DESCRIPTION	DWG	APR
A	7/6/00	MOVED WIRES AND CHANGED COLORS, CAD370-00	MJS	JES
B	6/24/03	SHOW GENERIC JUNCTION BOX, CAD516-03	DRR	JES
C	12/22/04	UPDATED FOR AT AIR HANDLERS, CAD809-04	DRR	JES
D	1/6/05	REMOVED DUPLICATE NOTE, CAD021-05	DRR	JES
E	5/26/05	UPDATE TO LATEST WIRE COLOR STANDARDS, CAD334-05	DRR	JES

AIR HANDLER JUNCTION BOX

REFER TO THE DIAGRAM INDICATED ON THE AIR HANDLER'S LABEL. A COPY IS INSIDE THE JUNCTION BOX. DISREGARD CHANGEOVER SWITCH WIRING SHOWN IN JUNCTION BOX - USE THIS WIRING INSTEAD.



MECHANICAL CONTROL PANEL FOR AIR HANDLERS MCP-AH

NOTE:
WIRE HARNESS INCLUDES 3 WIRES WHICH ARE NOT USED IN THIS APPLICATION.

Dometic Corporation

Marine Air

AH 2-KNOB CONTROL NO WATER VALVE OR HEATER OPTION, 115-230VAC/50-60HZ/1Ø

DATE: 3/20/00	DWG BY: MJS	PART NUMBER: DWG	H3010071	REV	E
SCALE: NTS	APR BY: JES				

PROPRIETARY NOTE: THE INFORMATION CONTAINED WITHIN THIS DOCUMENT IS THE PROPERTY OF DOMETIC CORPORATION. ANY ATTEMPT TO COPY OR DISTRIBUTE WITHOUT WRITTEN CONSENT FROM DOMETIC CORPORATION SHALL BE CONSIDERED UNLAWFUL AND CAN BE CONTESTED IN A COURT OF LAW.

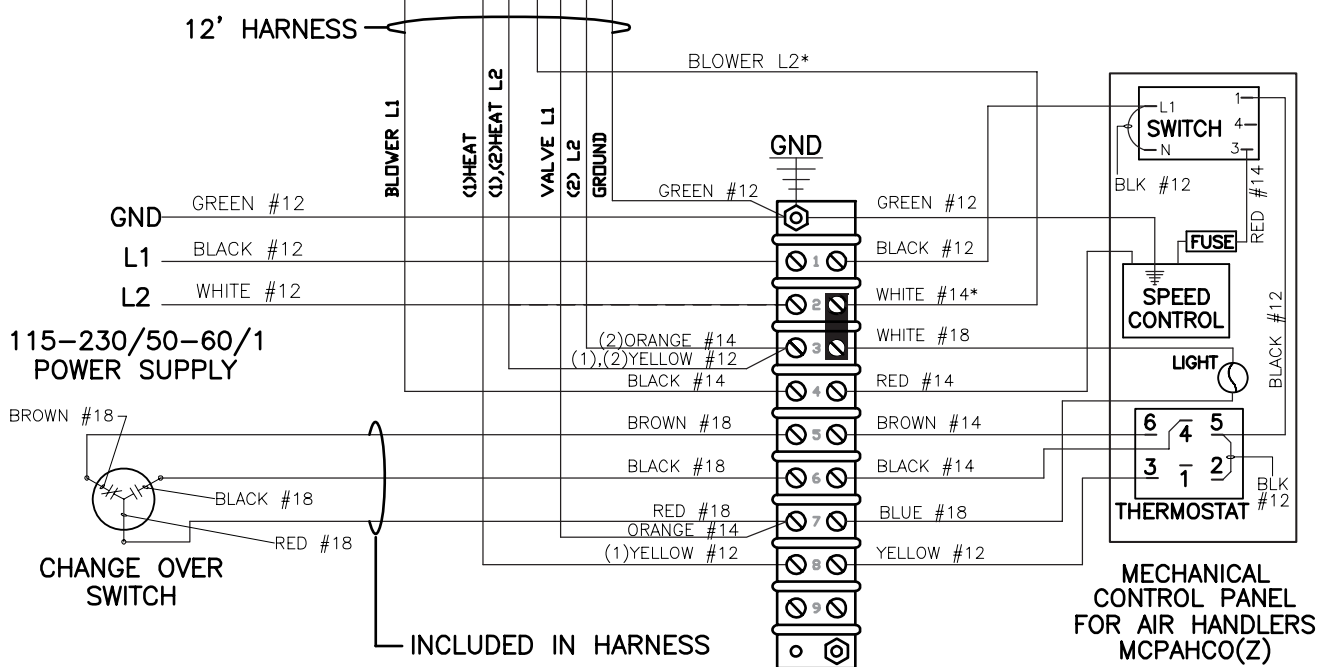
REV	DATE	REVISION DESCRIPTION	DWG	APR
A	12/22/04	UPDATED FOR AT AIR HANDLERS, CAD810-04	DRR	JES
B	5/26/05	UPDATE TO LATEST WIRE COLOR STANDARDS, CAD333-05	DRR	JES
C	8/16/05	ADDED NOTE AND REFERENCES, CAD469-05	DRR	JES
D	8/23/05	REVISED WIRE SIZES FOR CHANGE-OVER SW, CAD486-05	DRR	JES

REFERENCE DWG(S) H3010044 & 053 FOR OLD STYLE

NOTE:

- (1) THESE YELLOW WIRES ARE ONLY NEEDED BY AIR HANDLERS WITH ELECTRIC HEAT.
- (2) "AT" AIR HANDLERS ONLY NEED ONE OF THESE L2 WIRES. HOWEVER, IT MUST BE AT LEAST #12 IF THE UNIT HAS ELECTRIC HEAT.

AIR HANDLER JUNCTION BOX REFER TO THE DIAGRAM INDICATED ON THE AIR HANDLER'S LABEL. A COPY IS INSIDE THE JUNCTION BOX. DISREGARD CHANGEOVER SWITCH WIRING SHOWN IN JUNCTION BOX - USE THIS WIRING INSTEAD.



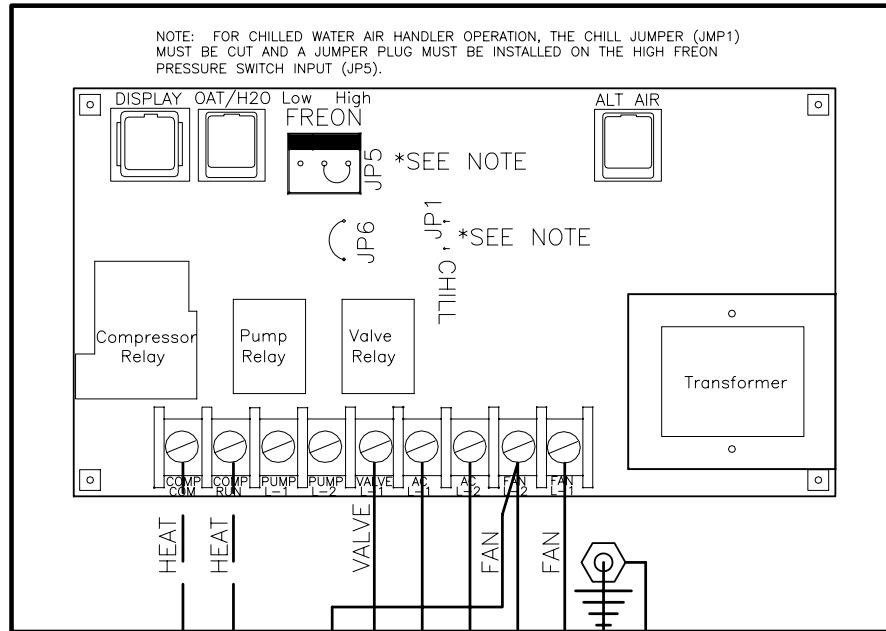
DWG CREATED BY CAD619-03

Dometic Corporation		Marine Air	
3-KNOB AIRHANDLER CONTROL W/COS			
DATE: 7/30/03	DWG BY: DRR	PART NUMBER: 293-510248	DWG
SCALE: NTS	APR BY: JES	H3010103	REV D

PROPRIETARY NOTE: THE INFORMATION CONTAINED WITHIN THIS DOCUMENT IS THE PROPERTY OF DOMETIC CORPORATION. ANY ATTEMPT TO COPY OR DISTRIBUTE WITHOUT WRITTEN CONSENT FROM DOMETIC CORPORATION SHALL BE CONSIDERED UNLAWFUL AND CAN BE CONTESTED IN A COURT OF LAW.

REV	DATE	REVISION DESCRIPTION	DWG	APR
A	12/22/04	UPDATED DRAWING FOR AT AIR HANDLERS,CAD806-04	DRR	JES

ELECTRICAL BOX



NOTE:
JMP 1 MUST BE CUT TO OPERATE FX CONTROL WITH OPTIONAL ELECTRIC HEAT

NOTE: ———
"AT" AIRHANDLERS ONLY NEED ONE OF THESE WIRES. HOWEVER, IT MUST BE AT LEAST #12 IF THE UNIT HAS ELECTRIC HEAT.

AIR HANDLER JUNCTION BOX REFER TO THE DIAGRAM INDICATED ON THE AIR HANDLER'S LABEL. A COPY IS INSIDE THE JUNCTION BOX.

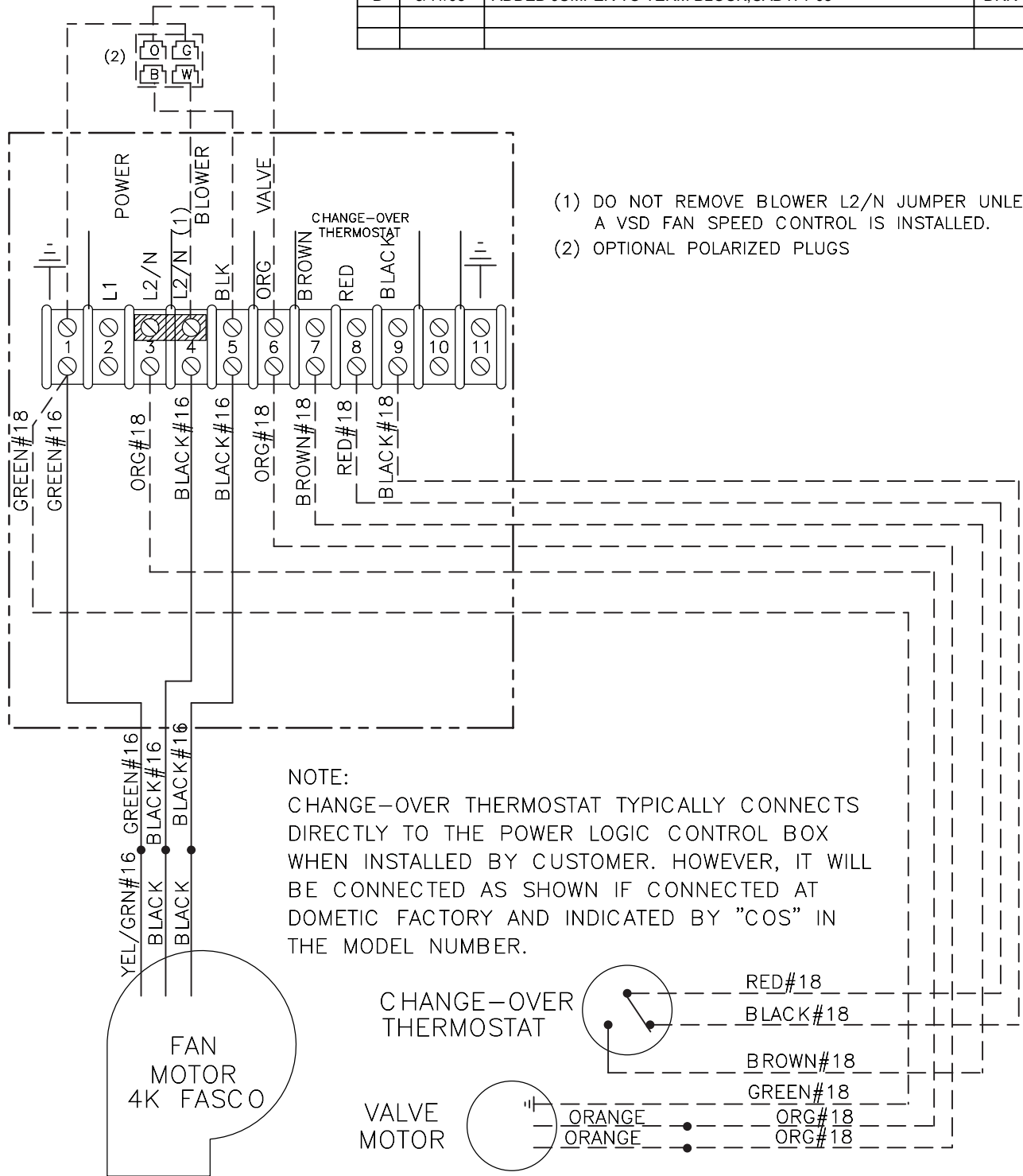
GND
N/L2
L1
115-230/50-60/1
POWER SUPPLY

DWG CREATED BY CAD620-03

Dometic Corporation			
FX/FX-MAXX AIR HANDLER CONTROL			
DATE: 7/30/03	DWG BY: DRR	PART NUMBER: 293-510249	DWG H3010104
SCALE: NTS	APR BY: JES		

PROPRIETARY NOTE: THE INFORMATION CONTAINED WITHIN THIS DOCUMENT IS THE PROPERTY OF DOMETIC CORPORATION. ANY ATTEMPT TO COPY OR DISTRIBUTE WITHOUT WRITTEN CONSENT FROM DOMETIC CORPORATION SHALL BE CONSIDERED UNLAWFUL AND CAN BE CONTESTED IN A COURT OF LAW.

REV	DATE	REVISION DESCRIPTION	DWG	APR
A	12/22/04	UPDATE FOR CRUISAIR NOMENCLATURE, CAD800-04	DRR	JES
B	1/6/05	ADDED NOTE FOR COMMONIZATION OF MODELS, CAD017-05	DRR	JES
C	2/15/05	ADDED OPTIONAL POLARIZED PLUG & NOTE 2, CAD117-05	DRR	JES
D	3/11/05	ADDED JUMPER TO TERM BLOCK, CAD171-05	DRR	JES



- (1) DO NOT REMOVE BLOWER L2/N JUMPER UNLESS A VSD FAN SPEED CONTROL IS INSTALLED.
- (2) OPTIONAL POLARIZED PLUGS

NOTE:
CHANGE-OVER THERMOSTAT TYPICALLY CONNECTS DIRECTLY TO THE POWER LOGIC CONTROL BOX WHEN INSTALLED BY CUSTOMER. HOWEVER, IT WILL BE CONNECTED AS SHOWN IF CONNECTED AT DOMETIC FACTORY AND INDICATED BY "COS" IN THE MODEL NUMBER.

CHANGE-OVER THERMOSTAT

VALVE MOTOR

Dometic Corporation

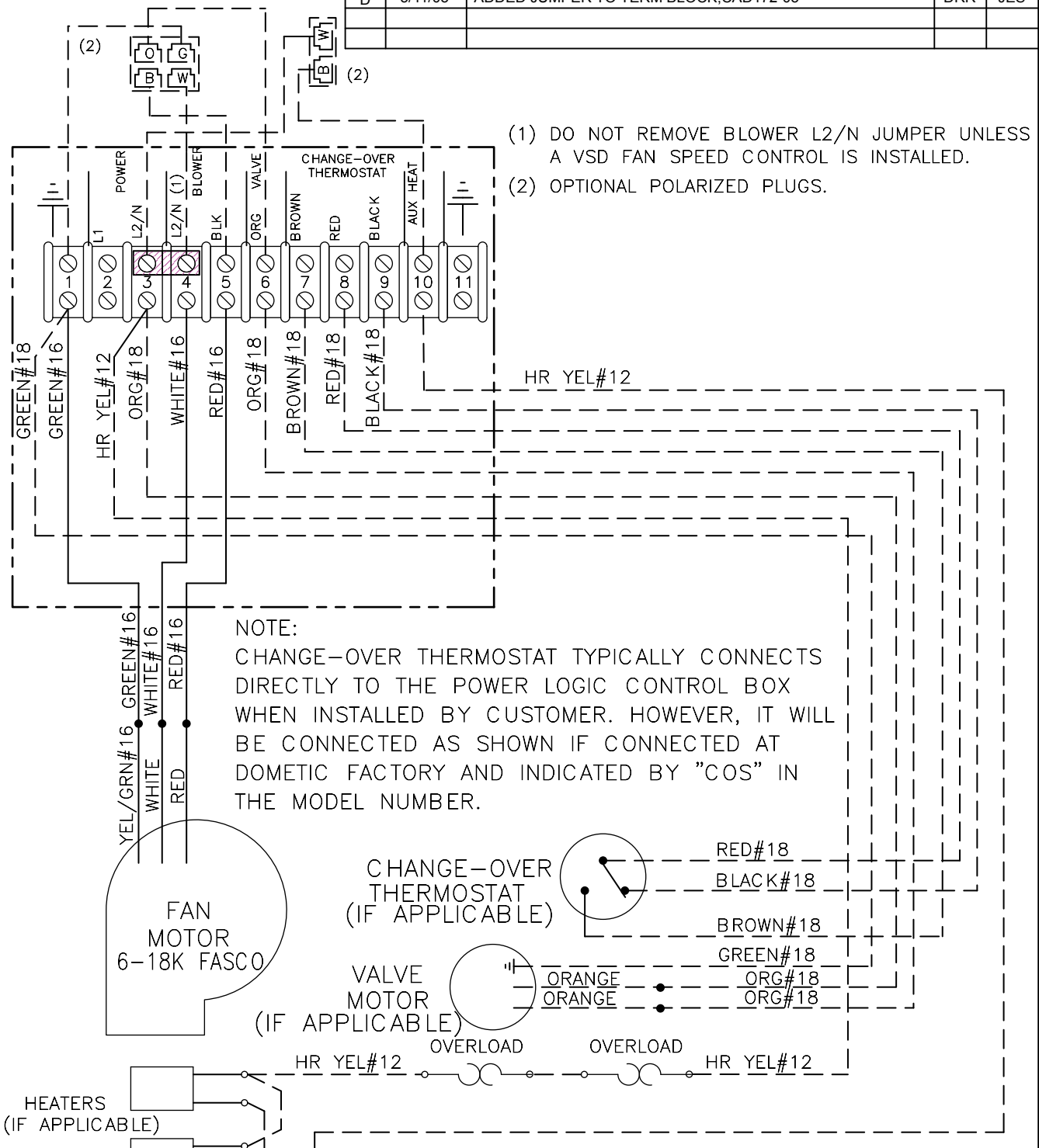
LABEL, WIRING DIAGRAM
AT4F(Z)

DWG CREATED BY CAD247-04

DATE: 4/19/04	DWG BY: DRR	PART NUMBER: 0440001	DWG	H7060014	REV D
SCALE: NTS	APR BY: JES				

PROPRIETARY NOTE: THE INFORMATION CONTAINED WITHIN THIS DOCUMENT IS THE PROPERTY OF DOMETIC CORPORATION. ANY ATTEMPT TO COPY OR DISTRIBUTE WITHOUT WRITTEN CONSENT FROM DOMETIC CORPORATION SHALL BE CONSIDERED UNLAWFUL AND CAN BE CONTESTED IN A COURT OF LAW.

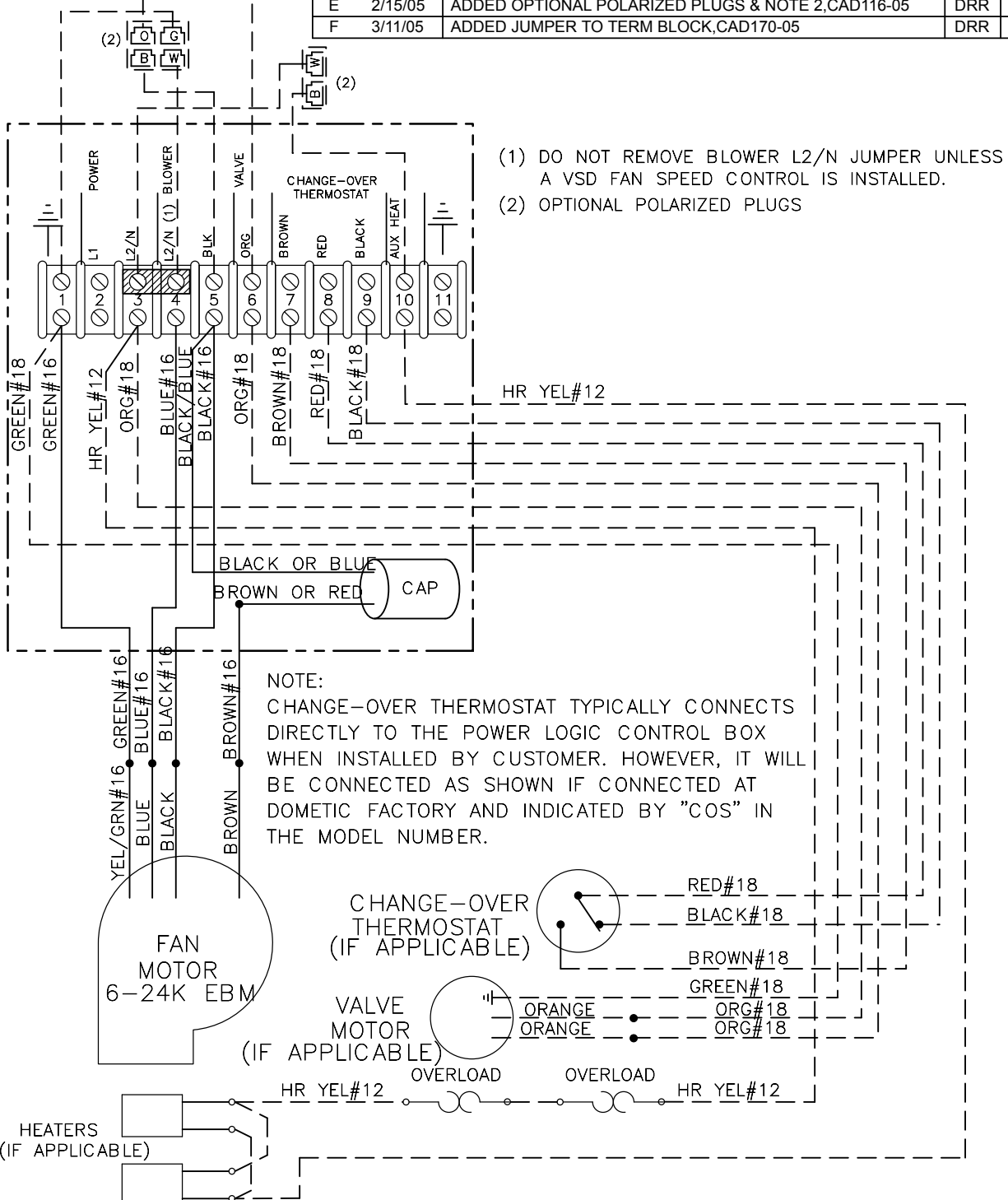
REV	DATE	REVISION DESCRIPTION	DWG	APR
A	12/22/04	UPDATE TITLE TO INCLUDE CRUISAIR,CAD801-04	DRR	JES
B	1/6/05	ADDED NOTE FOR COMMONIZATION OF MODELS,CAD018-05	DRR	JES
C	2/15/05	ADDED OPT POLARIZED PLUGS & NOTE 2,CAD116-05	DRR	JES
D	3/11/05	ADDED JUMPER TO TERM BLOCK,CAD172-05	DRR	JES



Dometic Corporation		LABEL, WIRING DIAGRAM	
		AT6-18F(Z)	
DATE: 4/19/04	DWG BY: DRR	PART NUMBER: 0440002	DWG H7060015
SCALE: NTS	APR BY: JES		REV D

PROPRIETARY NOTE: THE INFORMATION CONTAINED WITHIN THIS DOCUMENT IS THE PROPERTY OF DOMETIC CORPORATION. ANY ATTEMPT TO COPY OR DISTRIBUTE WITHOUT WRITTEN CONSENT FROM DOMETIC CORPORATION SHALL BE CONSIDERED UNLAWFUL AND CAN BE CONTESTED IN A COURT OF LAW.

REV	DATE	REVISION DESCRIPTION	DWG	APR
A	2/26/04	REVISED WIRE COLORS FOR VALVE,CAD123-04	DRR	JES
B	4/16/04	REVISED WIRING & WIRE COLORS,CAD244-04	DRR	JES
C	12/22/04	REVISED TITLE,CAPS FROM LEADS TO SPADES,CAD804-04	DRR	JES
D	1/6/05	ADDED NOTE FOR COMMONIZATION OF MODELS,CAD019-05	DRR	JES
E	2/15/05	ADDED OPTIONAL POLARIZED PLUGS & NOTE 2,CAD116-05	DRR	JES
F	3/11/05	ADDED JUMPER TO TERM BLOCK,CAD170-05	DRR	JES

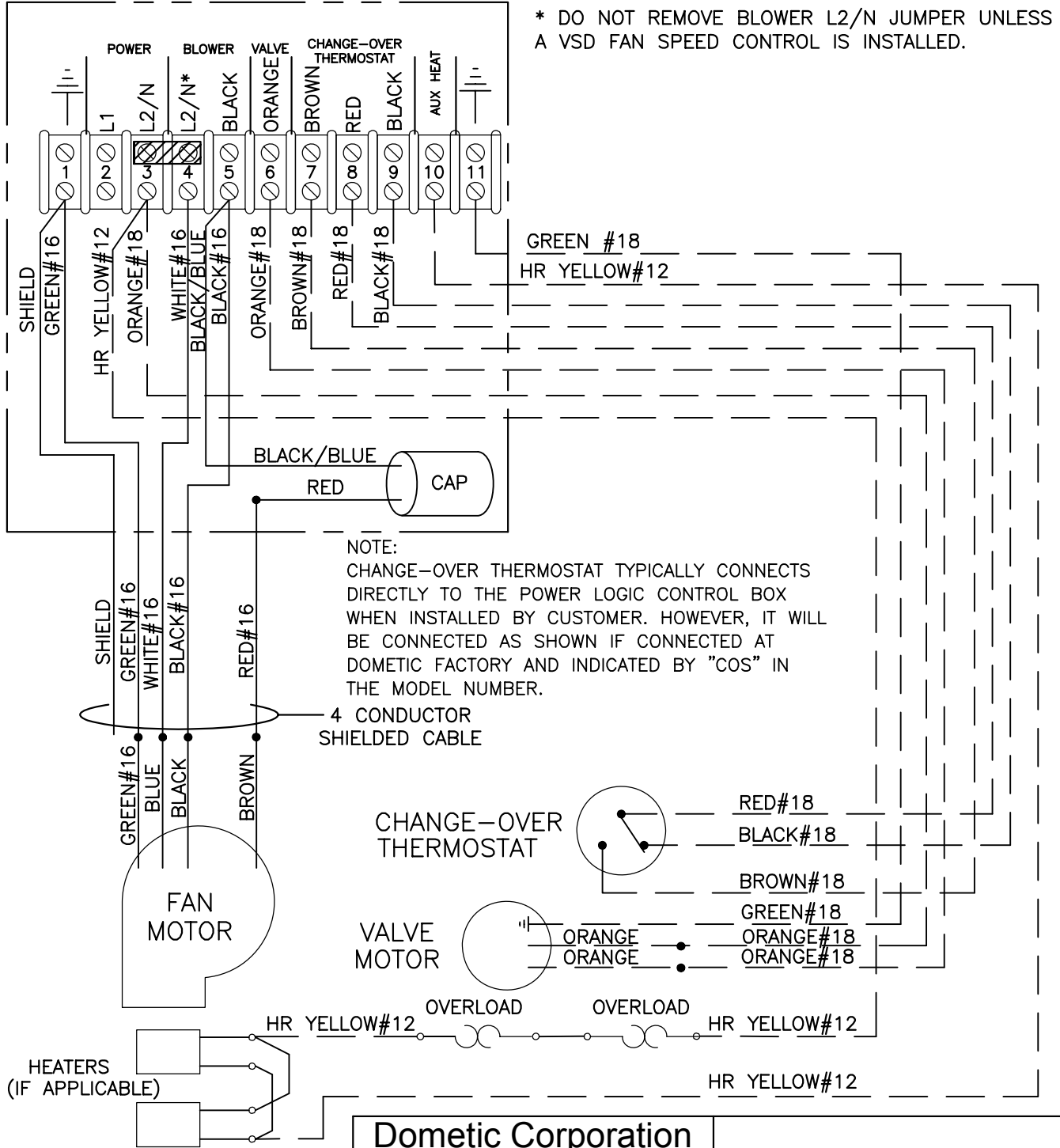


Dometic Corporation	
LABEL, WIRING DIAGRAM AT6-36HV(Z)	
DATE: 1/8/04	DWG BY: DRR
SCALE: NTS	APR BY: JES
PART NUMBER: 293510264	DWG H7060012
REV F	

DWG CREATED BY CAD021-04

PROPRIETARY NOTE: THE INFORMATION CONTAINED WITHIN THIS DOCUMENT IS THE PROPERTY OF DOMETIC CORPORATION. ANY ATTEMPT TO COPY OR DISTRIBUTE WITHOUT WRITTEN CONSENT FROM DOMETIC CORPORATION SHALL BE CONSIDERED UNLAWFUL AND CAN BE CONTESTED IN A COURT OF LAW.

REV	DATE	REVISION DESCRIPTION	DWG	APR
A	1/7/04	CORRECT BLOWER WIRING,CAD014-04	DRR	JES
B	12/22/04	ALLOW CRUISAIR,AT,REVISED WIRE COLORS,CAD798-04	DRR	JES
C	1/6/05	ADDED NOTE FOR COMMONIZATION OF MODELS,CAD020-05	DRR	JES
D	5/25/05	REVISED WIRE COLORS,CAD329-05	DRR	JES

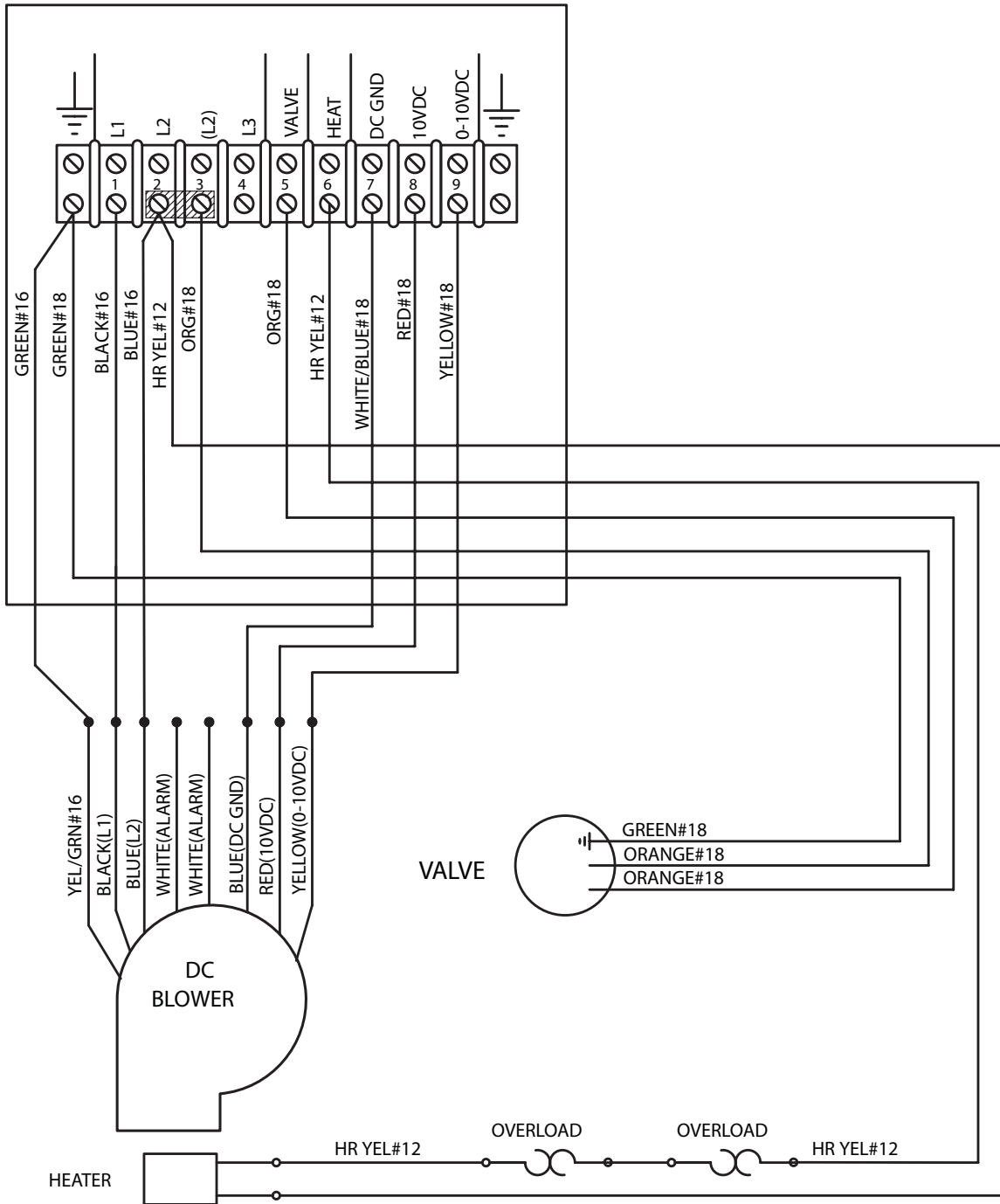


Dometic Corporation		AT6-36HV(Z), AH6-18DT2(Z), AH6-18FD(Z) EBM SHIELDED BLOWER	
DATE: 1/2/04	DWG BY: DRR	PART NUMBER: 293-510263	DWG H7060011
SCALE: NTS	APR BY: JES		REV D

DWG CREATED BY CAD002-04

PROPRIETARY NOTE: THE INFORMATION CONTAINED WITHIN THIS DOCUMENT IS THE PROPERTY OF DOMETIC CORPORATION. ANY ATTEMPT TO COPY OR DISTRIBUTE WITHOUT WRITTEN CONSENT FROM DOMETIC CORPORATION SHALL BE CONSIDERED UNLAWFUL AND CAN BE CONTESTED IN A COURT OF LAW.

REV	DATE	REVISION DESCRIPTION	DWG	APR

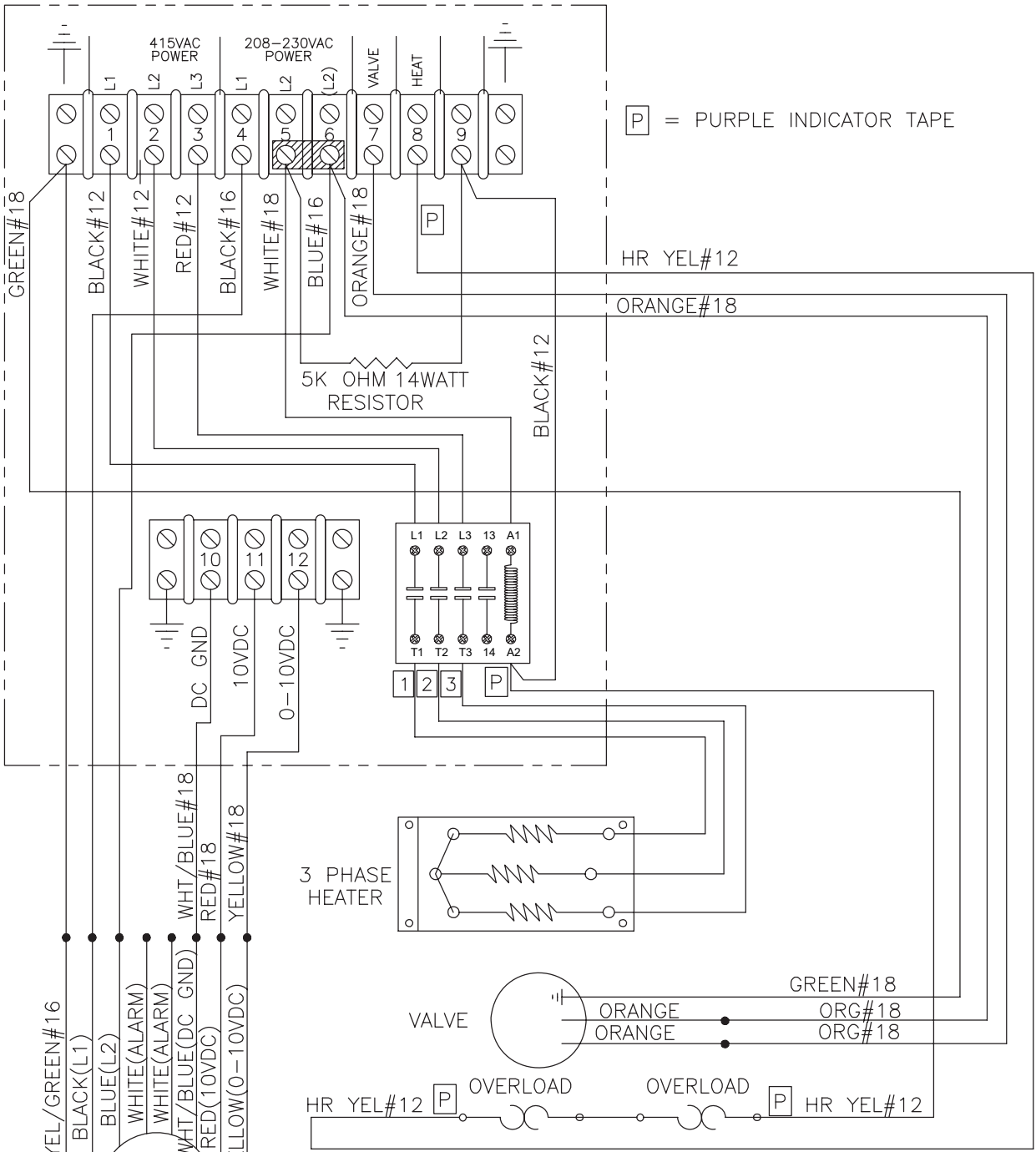


Dometic Corporation			
LABEL, WIRING DIAGRAM AT6-36DCZ			
DATE: 9/13/05	DWG BY: DRR	PART NUMBER: 0440087	DWG H7060024
SCALE: NTS	APR BY: JES		REV O.I.

DWG CREATED BY CAD507-05

PROPRIETARY NOTE: THE INFORMATION CONTAINED WITHIN THIS DOCUMENT IS THE PROPERTY OF DOMETIC CORPORATION. ANY ATTEMPT TO COPY OR DISTRIBUTE WITHOUT WRITTEN CONSENT FROM DOMETIC CORPORATION SHALL BE CONSIDERED UNLAWFUL AND CAN BE CONTESTED IN A COURT OF LAW.

REV	DATE	REVISION DESCRIPTION	DWG	APR
A	6/22/06	MOVED RESISTOR FROM CONT. TO TERM BLOCK, CAD321-06	DRR	JES
B	7/11/06	CHANGED BLUE #18 TO WHT/BLUE #18 PER CAD 342-06	CDF	JES



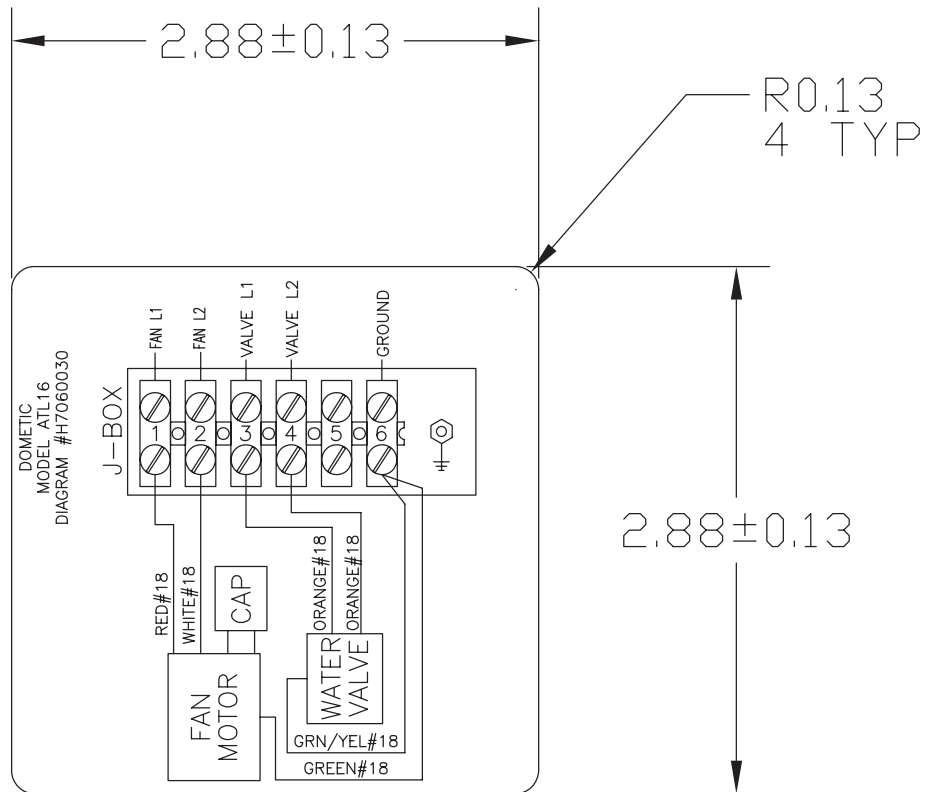
USE TERMINAL STRIP LABELS P/N 0440109 & 0440110

Dometic Corporation	
LABEL, WIRING DIAGRAM	
AT6-36DCZ, 415V HEAT	
DATE: 4/10/06	DWG BY: DRR
SCALE: NTS	APR BY: JES
PART NUMBER: 0440105	DWG H7060028
REV B	

DWG CREATED BY CAD178-06

PROPRIETARY NOTE: THE INFORMATION CONTAINED WITHIN THIS DOCUMENT IS THE PROPERTY OF DOMETIC CORPORATION. ANY ATTEMPT TO COPY OR DISTRIBUTE WITHOUT WRITTEN CONSENT FROM DOMETIC CORPORATION SHALL BE CONSIDERED UNLAWFUL AND CAN BE CONTESTED IN A COURT OF LAW.

REV	DATE	REVISION DESCRIPTION	DWG	APR



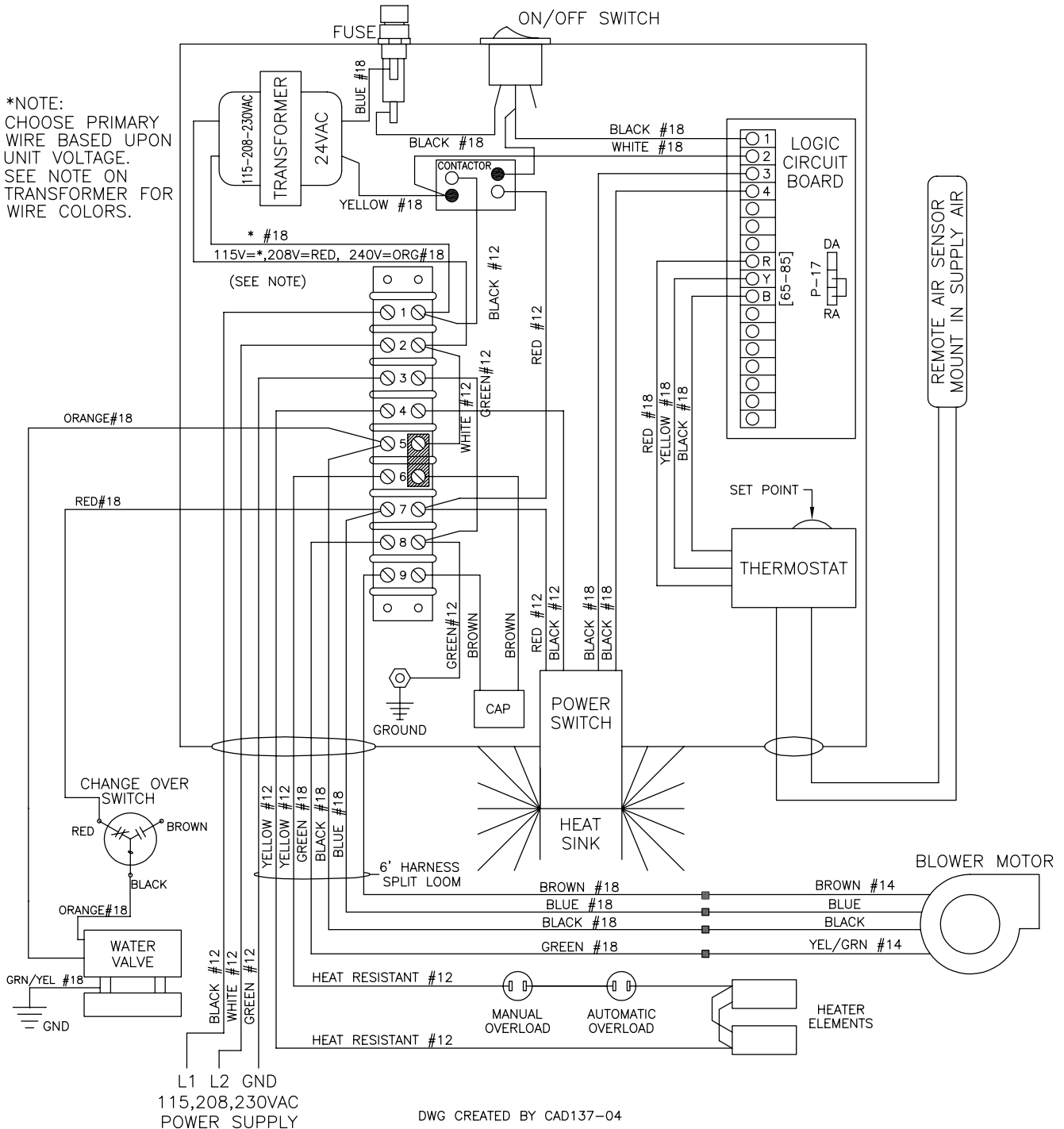
DWG CREATED BY CAD184-06

Dometic Corporation				
LABEL, WIRING DIAGRAM				
ATL16K(Z) 115V-230V				
DATE: 4/12/06	DWG BY: DRR	PART NUMBER: 0440112	DWG	H7060030
SCALE: NTS	APR BY: RAP			REV O.I.

PROPRIETARY NOTE: THE INFORMATION CONTAINED WITHIN THIS DOCUMENT IS THE PROPERTY OF DOMETIC CORPORATION. ANY ATTEMPT TO COPY OR DISTRIBUTE WITHOUT WRITTEN CONSENT FROM DOMETIC CORPORATION SHALL BE CONSIDERED UNLAWFUL AND CAN BE CONTESTED IN A COURT OF LAW.

REV	DATE	REVISION DESCRIPTION	DWG	APR
G	12/22/04	ALLOW FOR BOTH BRANDS & ALL SIZES OF AT-MU,CAD805-04	DRR	JES
H	7/12/05	REVISED VOLTAGES TO INCLUDE 115,ADDED NOTE,CAD423-05	DRR	MFG
J	12/16/05	REVISED XFMR WIRE COLORS,CAD618-05	DRR	MFG
K	9/27/06	REVISED NOTE AND WIRE CALLOUTS FOR XFMR,CAD486-06	DRR	JES
E	7/29/04	ADDED TERMINAL TO TERMINAL BLOCK,CAD507-04	DRR	MFG
F	08/17/04	CHANGE COLORS TO USE AT HARNESS PER CAD 566-04	MOM	JES

*NOTE:
CHOOSE PRIMARY WIRE BASED UPON UNIT VOLTAGE. SEE NOTE ON TRANSFORMER FOR WIRE COLORS.

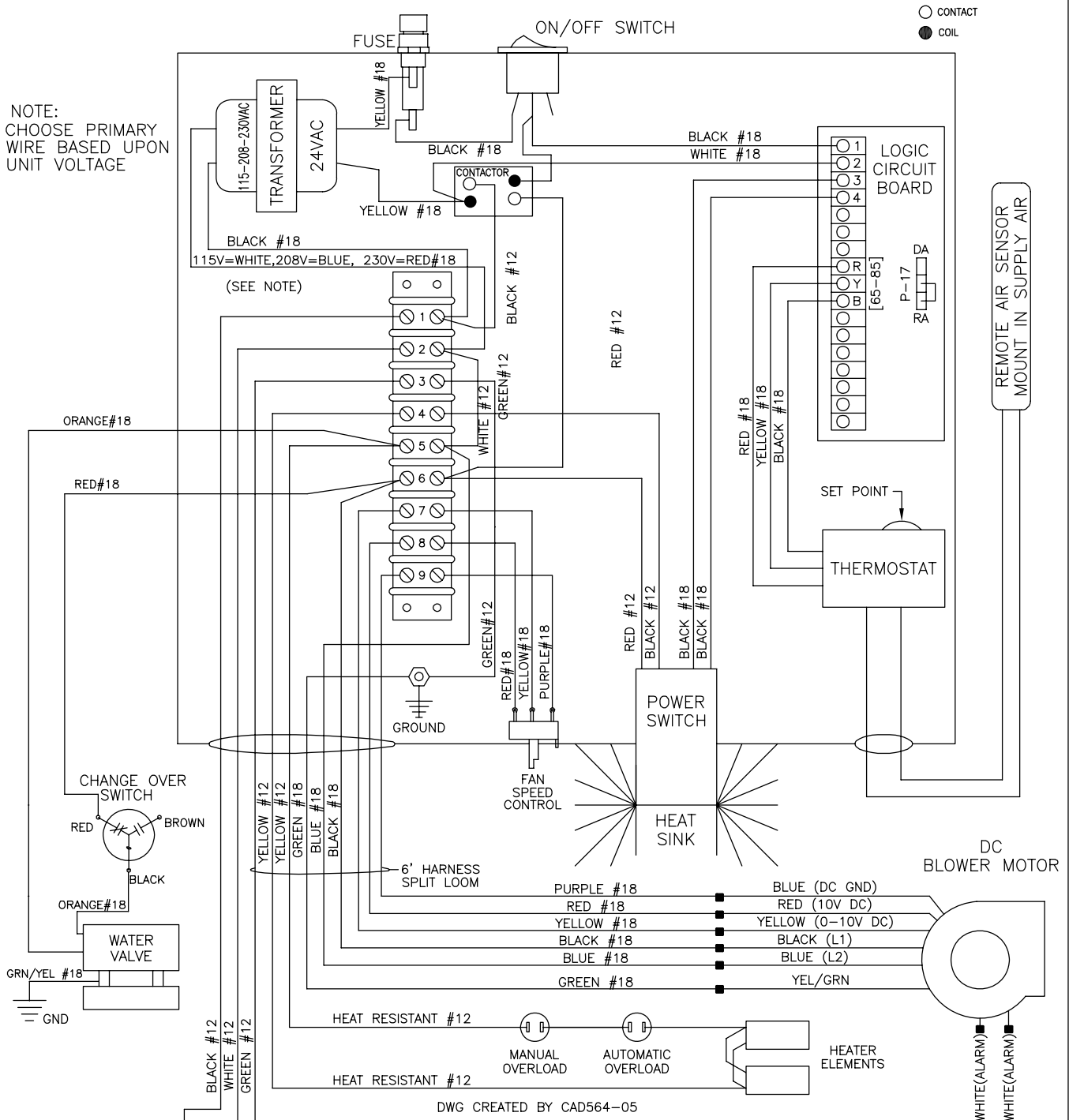


DWG CREATED BY CAD137-04	
Dometic Corporation	
AT18,24,36MU FRESH AIR HANDLER	
115,208,230VAC/50-60Hz/1Ø	
DATE: 3/3/04	DWG BY: DRR
SCALE: NTS	APR BY: JES
PART NUMBER: 293-510272	DWG H3010106
	REV K

PROPRIETARY NOTE: THE INFORMATION CONTAINED WITHIN THIS DOCUMENT IS THE PROPERTY OF DOMETIC CORPORATION. ANY ATTEMPT TO COPY OR DISTRIBUTE WITHOUT WRITTEN CONSENT FROM DOMETIC CORPORATION SHALL BE CONSIDERED UNLAWFUL AND CAN BE CONTESTED IN A COURT OF LAW.

REV	DATE	REVISION DESCRIPTION	DWG	APR
A	1/13/06	REV REPRESENTATION OF FAN SPEED CONTROL,CAD019-06	DRR	MFG

NOTE:
CHOOSE PRIMARY WIRE BASED UPON UNIT VOLTAGE



DWG CREATED BY CAD564-05

Dometic Corporation

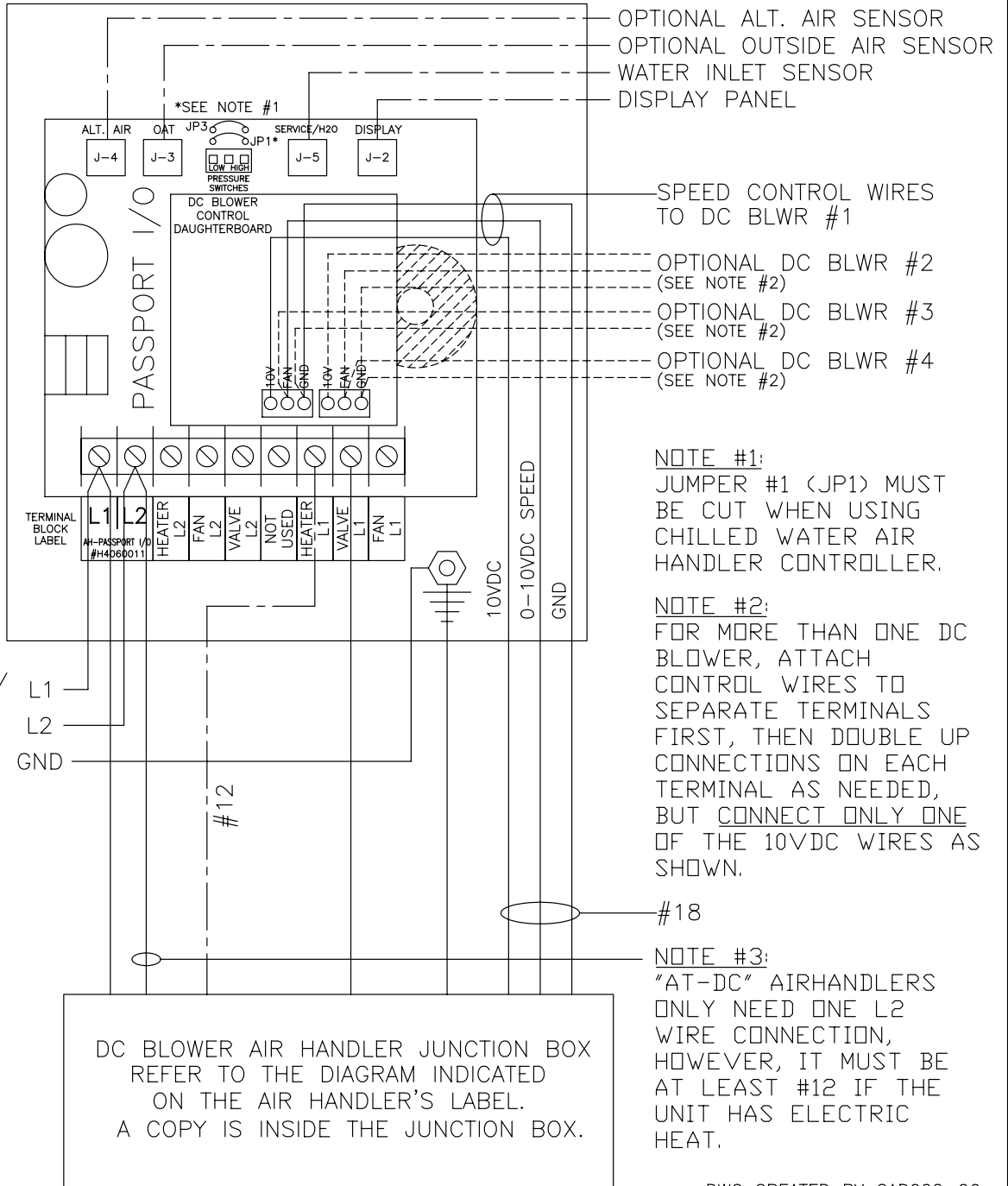
AT18,24,36MU FRESH AIR HANDLER DC
208,230VAC/50-60Hz/1Ø

DATE: 10/20/05	DWG BY: DRR	PART NUMBER: 293-510303	DWG	H3010108	REV	A
SCALE: NTS	APR BY: JES					

PROPRIETARY NOTE: THE INFORMATION CONTAINED WITHIN THIS DOCUMENT IS THE PROPERTY OF DOMETIC CORPORATION. ANY ATTEMPT TO COPY OR DISTRIBUTE WITHOUT WRITTEN CONSENT FROM DOMETIC CORPORATION SHALL BE CONSIDERED UNLAWFUL AND CAN BE CONTESTED IN A COURT OF LAW.

REV	DATE	REVISION DESCRIPTION	DWG	APR
A	2/8/06	SHOW REVISIONS TO BOARDS, CAD071-06	DRR	MFG
B	2/10/06	ELIMINATED EXTRA L2 WIRES, CAD078-06	DRR	MFG

ELECTRICAL BOX

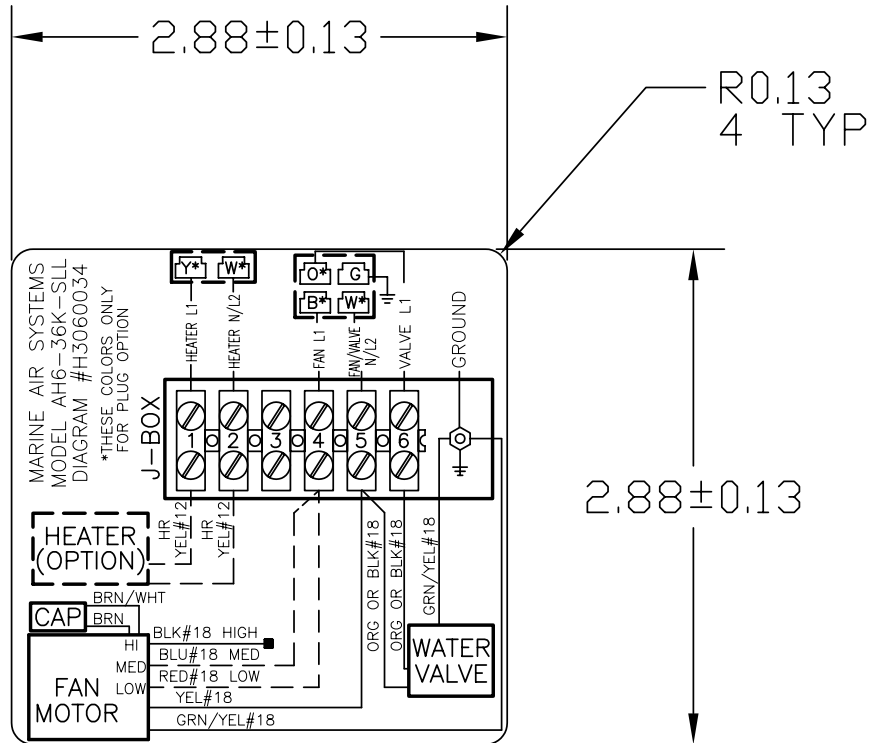


DWG CREATED BY CAD002-06

Dometic Corporation				
AH PASSPORT I/O W/ DC BLOWER GENERIC WIRING DIAGRAM				
DATE: 1/2/06	DWG BY: DRR	PART NUMBER: 0440093	DWG	H3010110
SCALE: NTS	APR BY: MFG		REV	B

PROPRIETARY NOTE: THE INFORMATION CONTAINED WITHIN THIS DOCUMENT IS THE PROPERTY OF TAYLOR MADE ENVIRONMENTAL, INC. ANY ATTEMPT TO COPY OR DISTRIBUTE WITHOUT WRITTEN CONSENT FROM TAYLOR MADE ENVIRONMENTAL, INC. SHALL BE CONSIDERED UNLAWFUL AND CAN BE CONTESTED IN A COURT OF LAW.

REV	DATE	REVISION	DWG	APR
A	7/1/03	SHOW WIRE COLORS ON PLUGS,CAD530-03	DRR	MFG
B	11/1/04	REVISED HT WIRE FROM BLK TO YEL,CAD683-04	DRR	JES
C	1/3/05	REV FOR WIRE HARNESS COLOR CHANGES,CAD008-05	DRR	JES

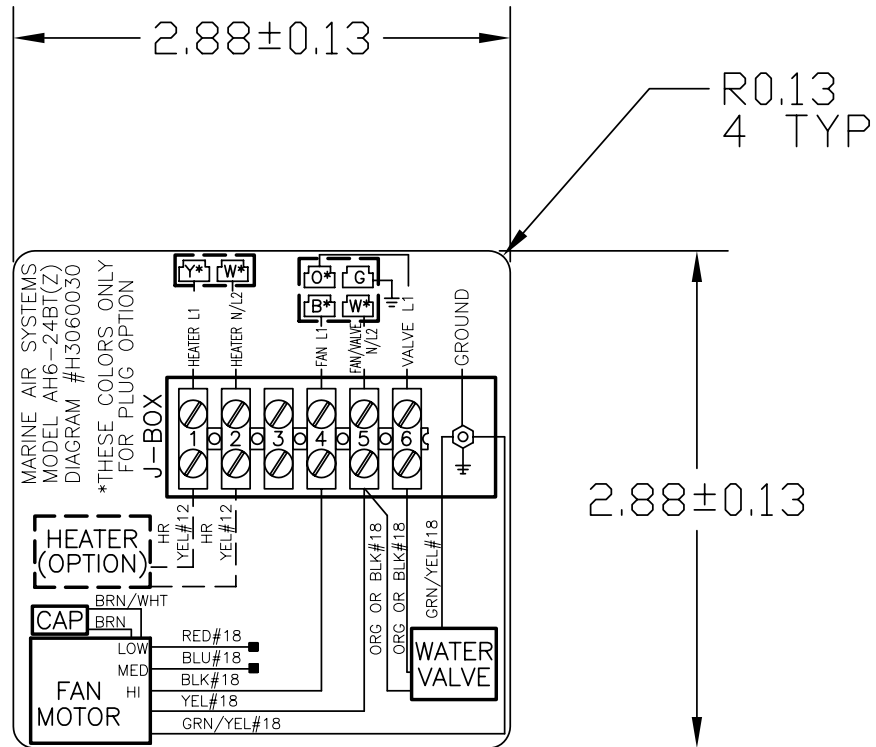


DWG CREATED BY CAD614-02

DATE: 10/17/02	LABEL AH6-36K-SLL AIR HANDLER WIRING DIAGRAM	DOMETIC-MARINE AIR
PART NUMBER: 293-510217		
SCALE: 1:1	DRAWING NO: H3060034C	CRUISAIR-MARINE AIR-GRUNERT-SENTRY-TUNDRA
DRAWN BY: DRR		

PROPRIETARY NOTE: THE INFORMATION CONTAINED WITHIN THIS DOCUMENT IS THE PROPERTY OF TAYLOR MADE ENVIRONMENTAL, INC. ANY ATTEMPT TO COPY OR DISTRIBUTE WITHOUT WRITTEN CONSENT FROM TAYLOR MADE ENVIRONMENTAL, INC. SHALL BE CONSIDERED UNLAWFUL AND CAN BE CONTESTED IN A COURT OF LAW.

REV	DATE	REVISION	DWG	APR
A	7/1/03	SHOW WIRE COLORS ON PLUGS,CAD530-03	DRR	MFG
B	11/1/04	REVISED HT WIRE FROM BLK TO YEL,CAD682-04	DRR	JES
C	1/3/05	REV FOR HARNESS WIRE COLOR CHANGES,CAD007-05	DRR	JES



DWG CREATED BY CAD614-02

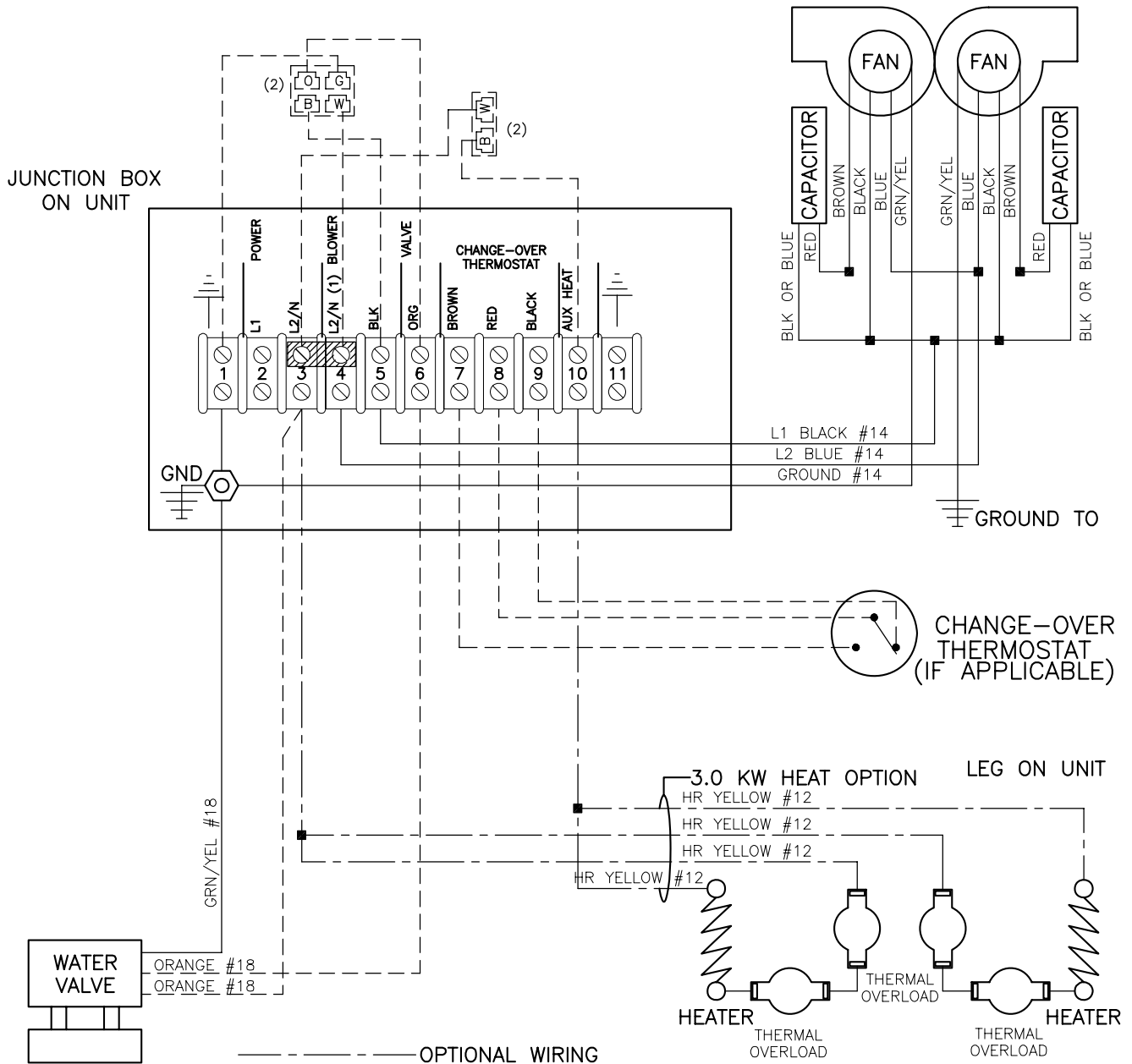
DATE:	10/16/02
PART NUMBER:	293-510213
SCALE:	1:1
DRAWN BY:	DRR
APPROVED BY:	JES

LABEL	AH6-24BT(Z)
AIR HANDLER WIRING DIAGRAM	
DRAWING NO.:	H3060030C

DOMETIC-MARINE AIR
CRUISAIR-MARINE AIR-GRUNERT-SENTRY-TUNDRA

PROPRIETARY NOTE: THE INFORMATION CONTAINED WITHIN THIS DOCUMENT IS THE PROPERTY OF DOMETIC CORPORATION. ANY ATTEMPT TO COPY OR DISTRIBUTE WITHOUT WRITTEN CONSENT FROM DOMETIC CORPORATION SHALL BE CONSIDERED UNLAWFUL AND CAN BE CONTESTED IN A COURT OF LAW.

REV	DATE	REVISION DESCRIPTION	DWG	APR
A	2/12/03	REVISED TERM BLOCK WIRING,CAD103-03	DRR	JES
B	5/26/05	REVISED WIRE COLORS TO NEW STANDARDS,CAD337-05	DRR	JES

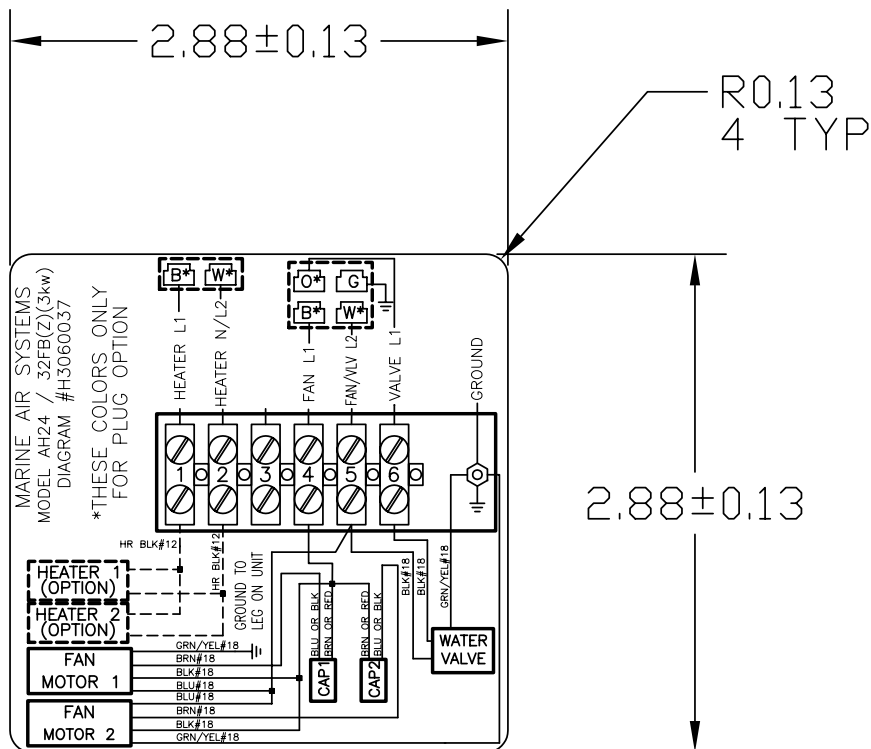


Dometic Corporation		Marine Air		
AH24-32FBZCH3 FLY BRIDGE W/EBM BLOWERS				
230VAC/60HZ/1Ø OPTIONAL 3.0KW HEAT				
DATE: 1/24/03	DWG BY: DRR	PART NUMBER: 335608	DWG H3010097	REV B
SCALE: NTS	APR BY: JES			

DWG CREATED BY CAD091-03

PROPRIETARY NOTE: THE INFORMATION CONTAINED WITHIN THIS DOCUMENT IS THE PROPERTY OF TAYLOR MADE ENVIRONMENTAL, INC. ANY ATTEMPT TO COPY OR DISTRIBUTE WITHOUT WRITTEN CONSENT FROM TAYLOR MADE ENVIRONMENTAL, INC. SHALL BE CONSIDERED UNLAWFUL AND CAN BE CONTESTED IN A COURT OF LAW.

REV	DATE	REVISION	DWG	APR
D	3/16/04	MOVED FAN WIRE TO TERM 5,CAD153-04	DRR	MFG
E	1/5/05	REVISED PLUG COLOR FROM "R" TO "O",CAD015-05	DRR	JES
C	7/1/03	SHOW WIRE COLORS ON PLUGS,CAD530-03	DRR	MFG



DWG CREATED BY CAD614-02

DATE:	10/17/02
PART NUMBER:	293-510220
SCALE:	1:1
DRAWN BY:	DRR
APPROVED BY:	JES

LABEL
AH24 / 32FB(Z)(3kw)
 AIR HANDLER WIRING DIAGRAM

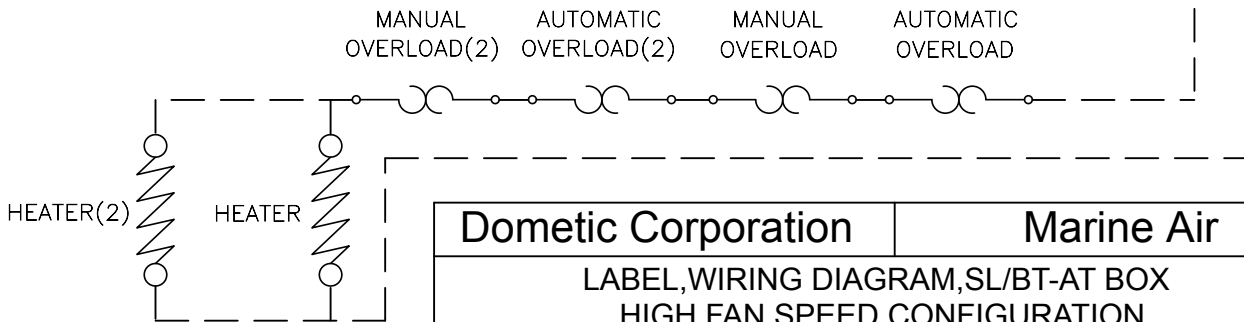
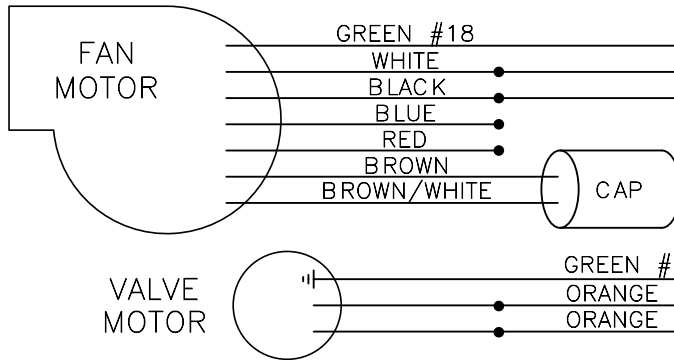
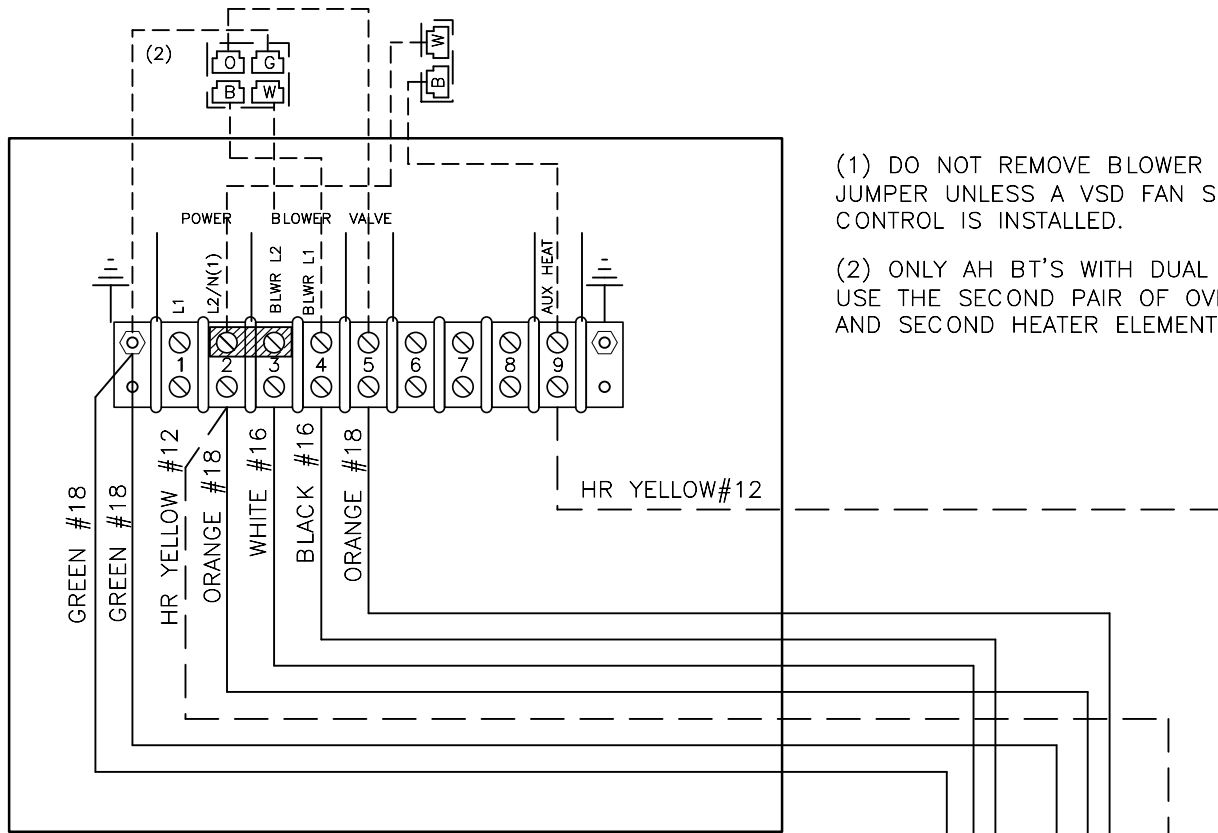
DRAWING NO:
H3060037E

DOMETIC-MARINE AIR

CRUISAIR-MARINE AIR-GRUNERT-SENTRY-TUNDRA

PROPRIETARY NOTE: THE INFORMATION CONTAINED WITHIN THIS DOCUMENT IS THE PROPERTY OF DOMETIC CORPORATION. ANY ATTEMPT TO COPY OR DISTRIBUTE WITHOUT WRITTEN CONSENT FROM DOMETIC CORPORATION SHALL BE CONSIDERED UNLAWFUL AND CAN BE CONTESTED IN A COURT OF LAW.

REV	DATE	REVISION DESCRIPTION	DWG	APR
J	8/19/05	PREP FOR AT BOX,CAD480-05	DRR	JES
K	10/5/05	REVISED FOR DUAL HEAT,CAD547-05	DRR	JES
L	11/14/05	ADDED POLARIZED PLUGS,CAD588-05	DRR	MFG
F	5/26/05	UPDATE TO LATEST WIRE COLOR STANDARDS,CAD332-05	DRR	JES
G	7/6/05	CHANGE TO CRUISAIR BRAND & WIRE COLORS,CAD409-05	DRR	MFG
H	8/10/05	GND WIRES FROM #16 TO #18,CAD459-05	DRR	MFG

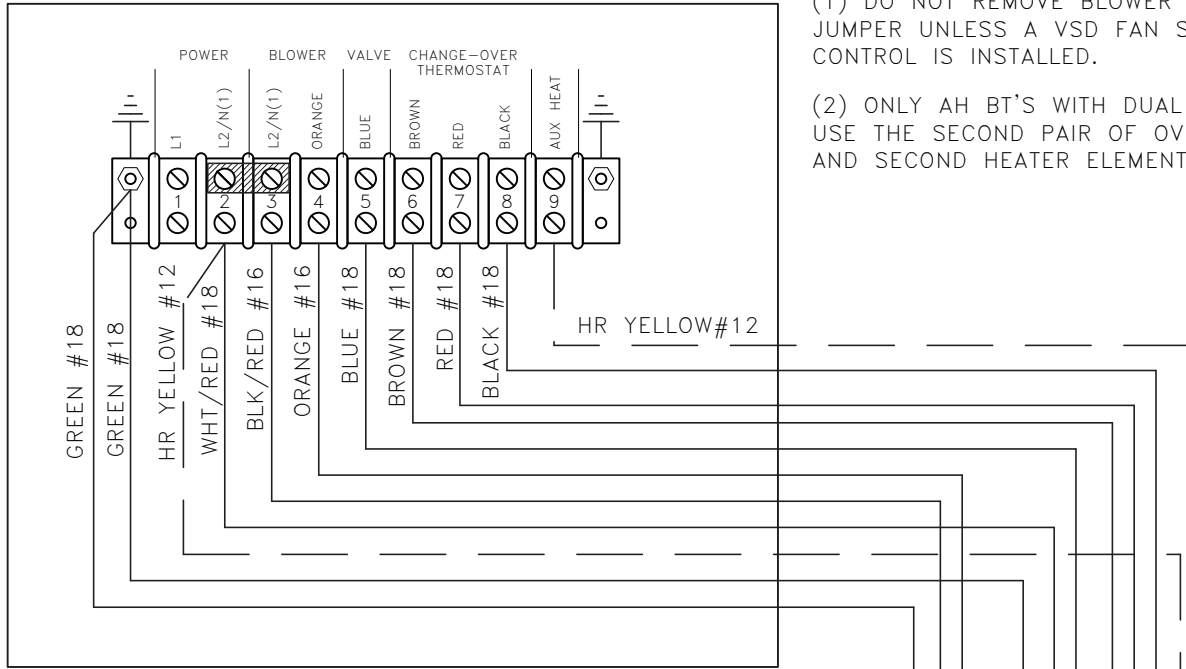


Dometic Corporation		Marine Air	
LABEL, WIRING DIAGRAM, SL/BT-AT BOX HIGH FAN SPEED CONFIGURATION			
DATE: 8/21/02	DWG BY: DRR	PART NUMBER: 293-510209	DWG
SCALE: NTS	APR BY: PJM	H7060003	REV L

DWG CREATED BY CAD489-02

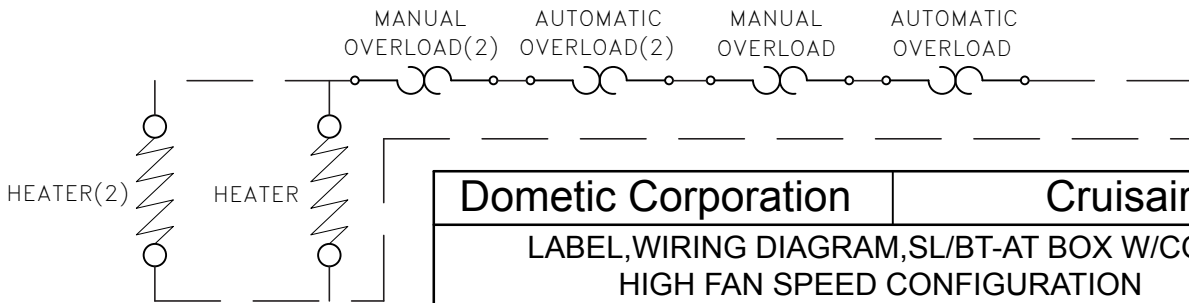
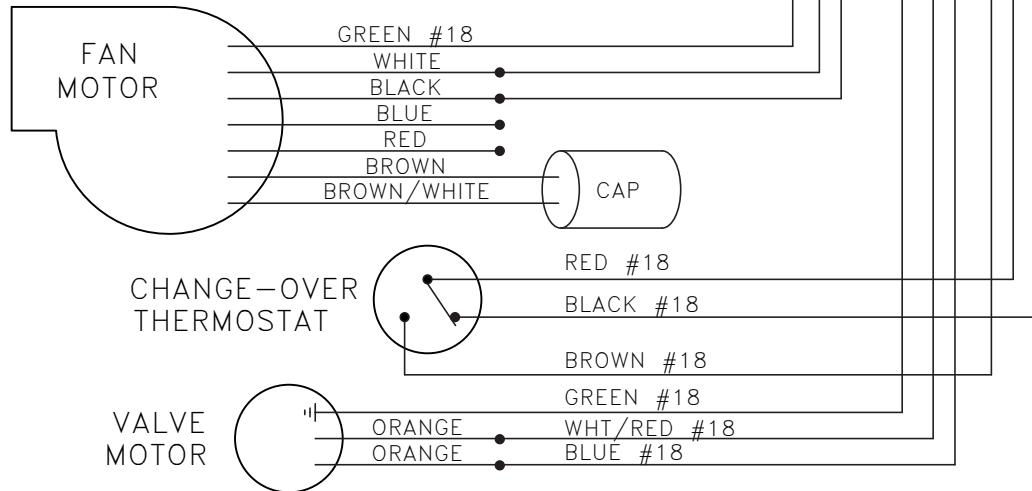
PROPRIETARY NOTE: THE INFORMATION CONTAINED WITHIN THIS DOCUMENT IS THE PROPERTY OF DOMETIC CORPORATION. ANY ATTEMPT TO COPY OR DISTRIBUTE WITHOUT WRITTEN CONSENT FROM DOMETIC CORPORATION SHALL BE CONSIDERED UNLAWFUL AND CAN BE CONTESTED IN A COURT OF LAW.

REV	DATE	REVISION DESCRIPTION	DWG	APR
A	10/11/05	REVISED FOR DUAL HEAT,CAD553-05	DRR	JES



(1) DO NOT REMOVE BLOWER L2/N JUMPER UNLESS A VSD FAN SPEED CONTROL IS INSTALLED.

(2) ONLY AH BT'S WITH DUAL HEATERS USE THE SECOND PAIR OF OVERLOADS AND SECOND HEATER ELEMENT.



Dometic Corporation		Cruisair	
LABEL, WIRING DIAGRAM, SL/BT-AT BOX W/COS HIGH FAN SPEED CONFIGURATION			
DATE: 8/19/05	DWG BY: DRR	PART NUMBER: 0440084	DWG C3010004
SCALE: NTS	APR BY: JES		REV A

DWG CREATED BY CAD481-05

PROPRIETARY NOTE: THE INFORMATION CONTAINED WITHIN THIS DOCUMENT IS THE PROPERTY OF DOMETIC ENVIRONMENTAL. ANY ATTEMPT TO COPY OR DISTRIBUTE WITHOUT WRITTEN CONSENT FROM DOMETIC ENVIRONMENTAL SHALL BE CONSIDERED UNLAWFUL AND CAN BE CONTESTED IN A COURT OF LAW.

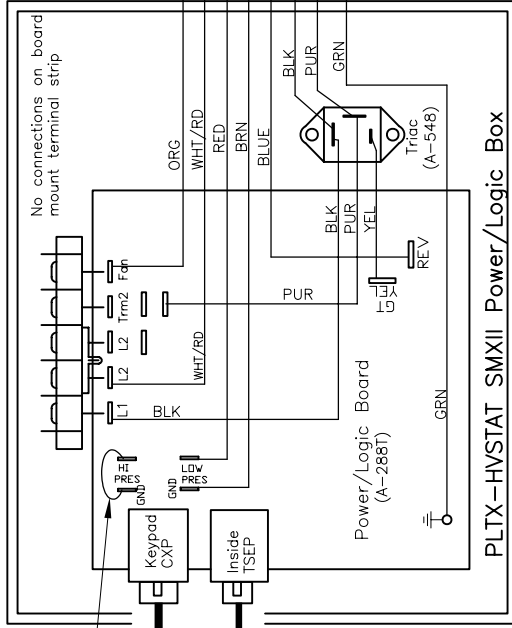
This diagram is for PLTX-HVSTAT made after Sept. 2005. For old PLTX-HVSTAT made before Sept. 2005, refer to drawing 082713.

Wiring Instructions:

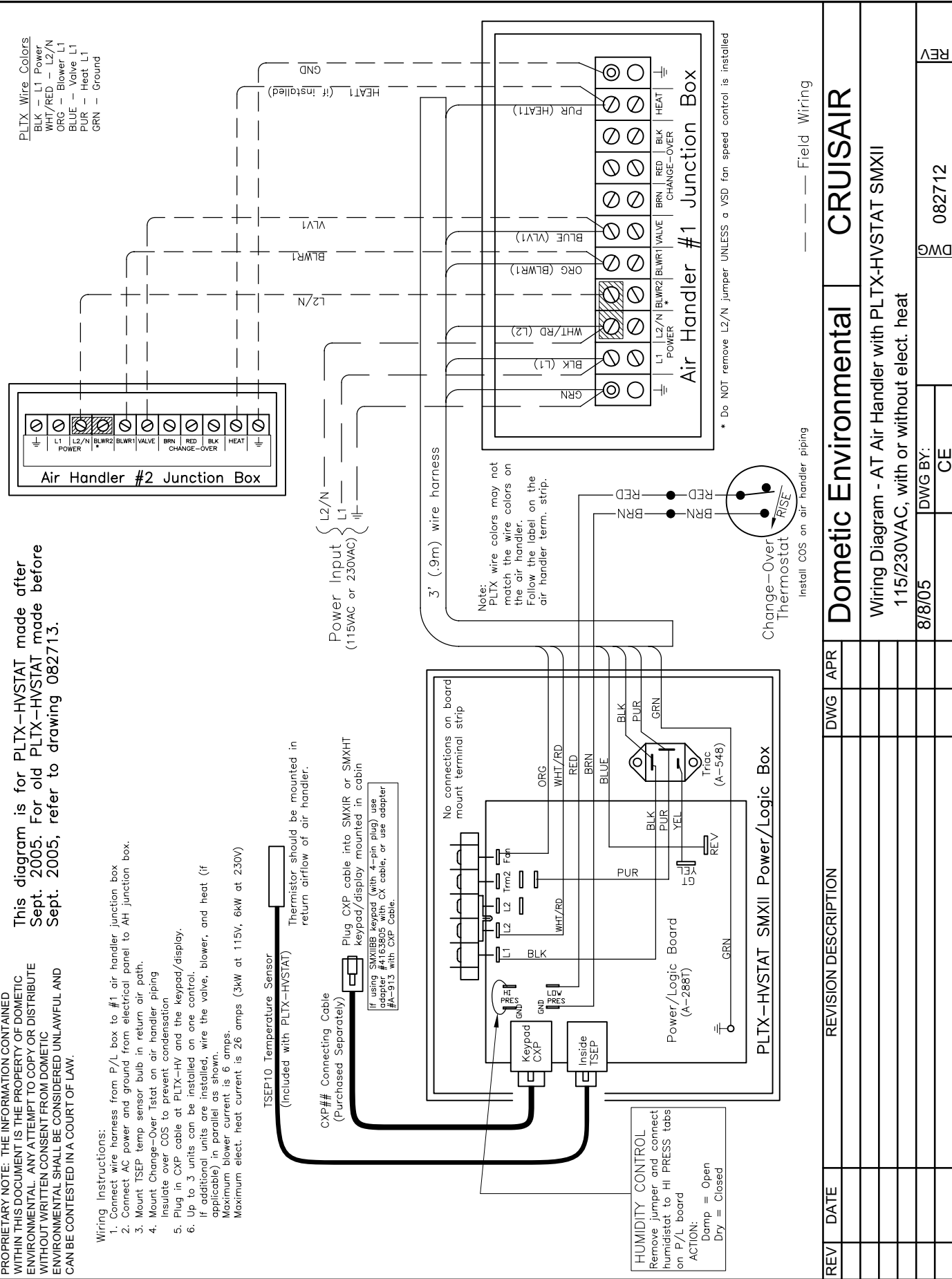
1. Connect wire harness from P/L box to #1 air handler junction box
2. Connect AC power and ground from electrical panel to AH junction box.
3. Mount TSEP temp sensor bulb in return air path.
4. Mount Change-Over Tstat on air handler piping
Insulate over COS to prevent condensation
5. Plug in CXP cable at PLTX-HV and the keypad/display.
6. Up to 3 units can be installed on one control.
If additional units are installed, wire the valve, blower, and heat (if applicable) in parallel as shown.
Maximum blower current is 6 amps.
Maximum elect. heat current is 26 amps (3kW at 115V, 6kW at 230V)

TSEP10 Temperature Sensor
(included with PLTX-HVSTAT)
Thermistor should be mounted in return airflow of air handler.

CXP## Connecting Cable
(Purchased Separately)
Plug CXP cable into SMXIR or SMXHT keypad/display mounted in cabin
If using SMXIIIBB keypad (with 4-pin plug) use adapter #4163805 with CX cable, or use adapter #A-913 with CXP Cable.



HUMIDITY CONTROL
Remove jumper and connect humidistat to HI PRESS tabs on P/L board
ACTION:
Damp = Open
Dry = Closed

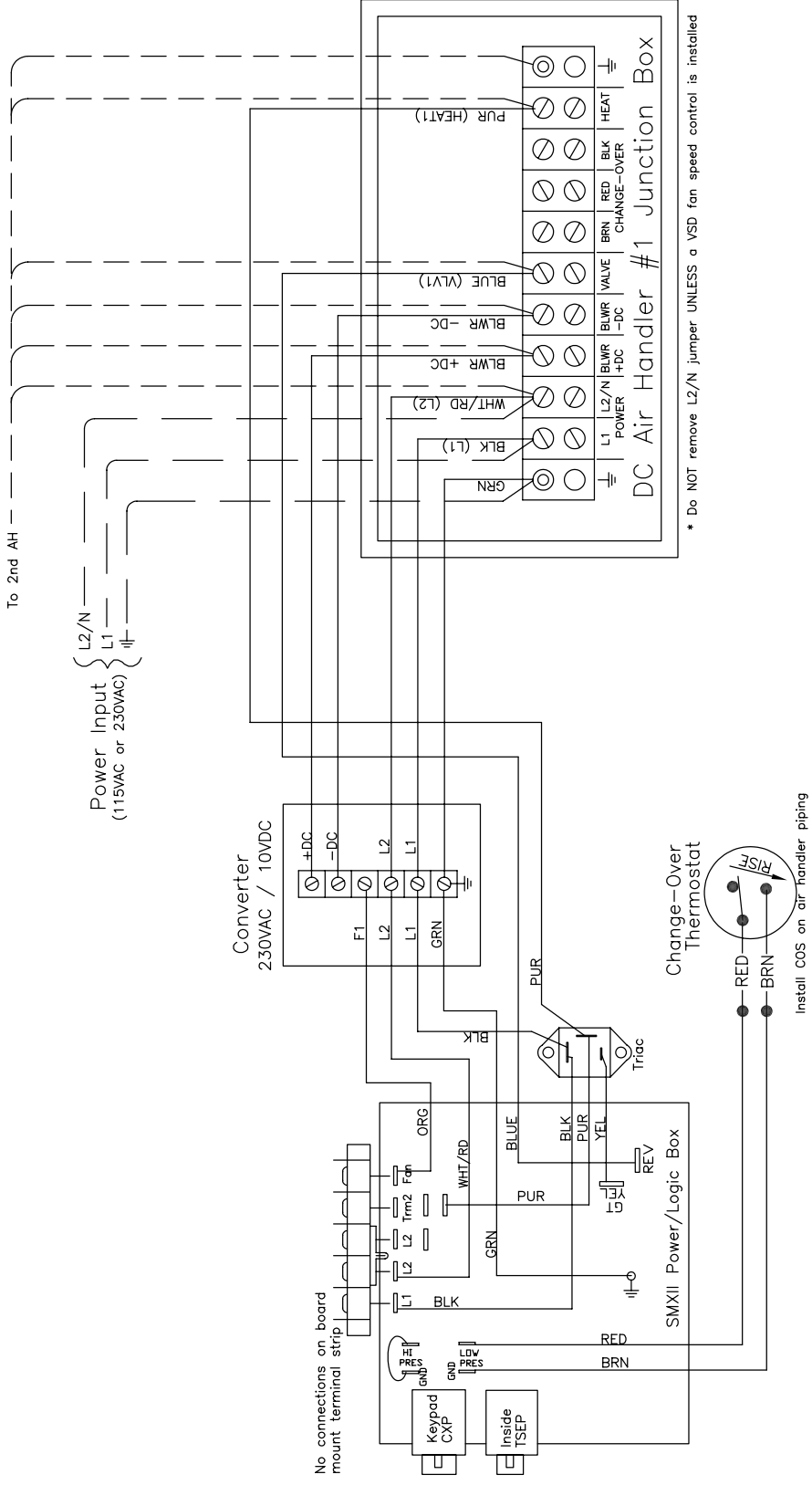


REV	DATE	REVISION DESCRIPTION	DWG	APR

Dometic Environmental					CRUISAIR	
Wiring Diagram - AT Air Handler with PLTX-HVSTAT SMXII 115/230VAC, with or without elect. heat						
8/8/05			DWG BY:	CE	DWG	082712
REV						REV

PROPRIETARY NOTE: THE INFORMATION CONTAINED WITHIN THIS DOCUMENT IS THE PROPERTY OF DOMETIC ENVIRONMENTAL. ANY ATTEMPT TO COPY OR DISTRIBUTE WITHOUT WRITTEN CONSENT FROM DOMETIC ENVIRONMENTAL SHALL BE CONSIDERED UNLAWFUL AND CAN BE CONTESTED IN A COURT OF LAW.

PLTX Wire Colors
 BLK - L1 Power
 WHT/RED - L2/N
 ORG - Blower L1
 BLUE - Valve L1
 PUR - Heat L1
 GRN - Ground



* Do NOT remove L2/N jumper UNLESS a VSD fan speed control is installed

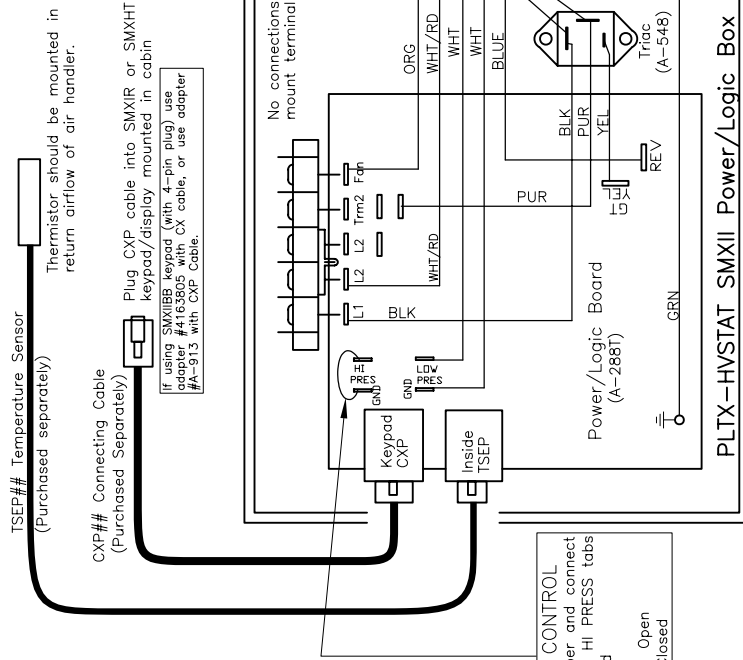
REV	DATE	REVISION DESCRIPTION	DWG	APR	Dometic Environmental	CRUISAIR
		Wiring Diagram - AT-DC Air Handler with PLTX-HVSTAT SMXII 115/230VAC, and DC converter with or without elect. heat				
			3/1/05		DWG	082712DC
					CE	REV

PROPRIETARY NOTE: THE INFORMATION CONTAINED WITHIN THIS DOCUMENT IS THE PROPERTY OF DOMETIC ENVIRONMENTAL. ANY ATTEMPT TO COPY OR DISTRIBUTE WITHOUT WRITTEN CONSENT FROM DOMETIC ENVIRONMENTAL SHALL BE CONSIDERED UNLAWFUL AND CAN BE CONTESTED IN A COURT OF LAW.

This diagram is for PLTX-HV and AT-COS air handlers which have a change-over stat installed on the air handler.

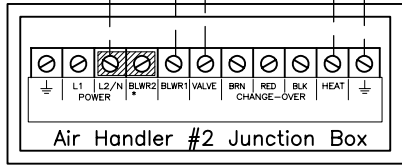
Wiring Instructions:

1. Connect wire harness from P/L box to #1 air handler junction box
 2. Connect AC power and ground from electrical panel to AH junction box.
 3. Plug TSEP cable to PLTX-HV, and install sensor bulb in the return air path to the air handler.
 4. Plug in CXP cable at PLTX-HV and the keypad/display.
 5. Up to 3 units can be installed on one control.
- If additional units are installed, wire the valve, blower, and heat (if applicable) in parallel as shown.
Maximum blower current is 6 amps.
Maximum elect. heat current is 26 amps (3kW at 115V, 6kW at 230V)



HUMIDITY CONTROL
Remove jumper and connect humidistat to HI PRESS tabs on P/L board
ACTION:
Damp = Open
Dry = Closed

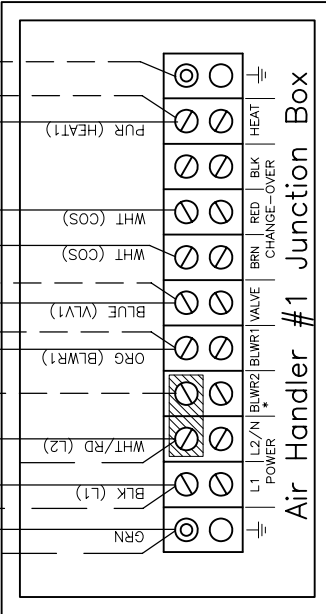
PLTX Wire Colors
BLK - L1 Power
WHT/RED - L2/N
ORG - Blower L1
BLUE - Valve L1
PUR - Heat L1
GRN - Ground



Power Input (115VAC or 230VAC)
L2/N
L1

3' (.9m) wire harness

Note:
PLTX wire colors may not match the wire colors on the air handler. Follow the label on the air handler term. strip.
Refer to Field Notice FN242G5 for more info.

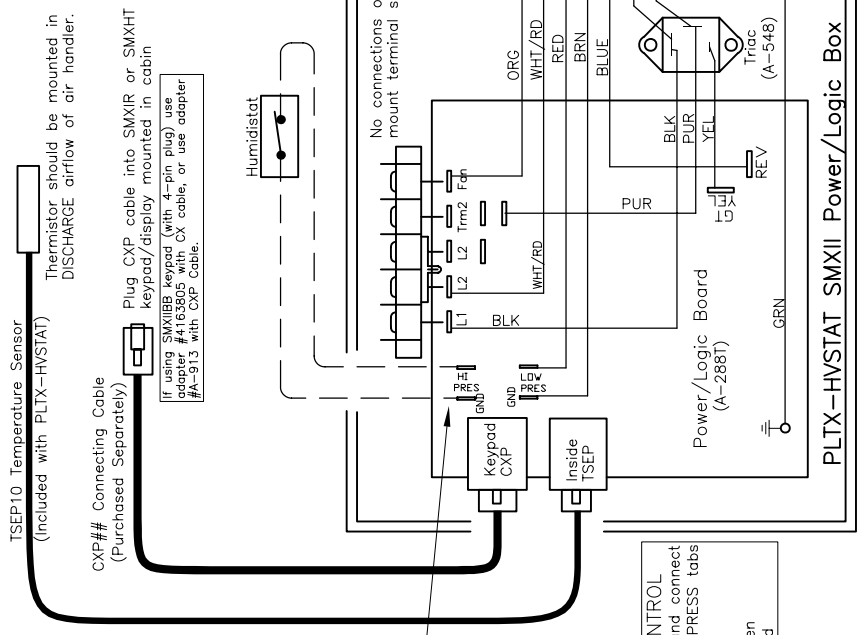


--- Field Wiring

REV	DATE	REVISION DESCRIPTION	DWG	APR
		Domestic Environmental		
		CRUISAIR		
		Wiring Diagram - AT-COS Air Handler with PLTX-HV SMXII 115/230VAC, with or without elect. heat		
		DWG BY: CE		
		8/8/05		
		082714		
		REV		

PROPRIETARY NOTE: THE INFORMATION CONTAINED WITHIN THIS DOCUMENT IS THE PROPERTY OF DOMETIC ENVIRONMENTAL. ANY ATTEMPT TO COPY OR DISTRIBUTE WITHOUT WRITTEN CONSENT FROM DOMETIC ENVIRONMENTAL SHALL BE CONSIDERED UNLAWFUL AND CAN BE CONTESTED IN A COURT OF LAW.

PLTX Wire Colors
 BLK - L1 Power
 WHT/RED - L2/N
 ORG - Blower L1
 BLUE - Valve L1
 PUR - Heat L1
 GRN - Ground



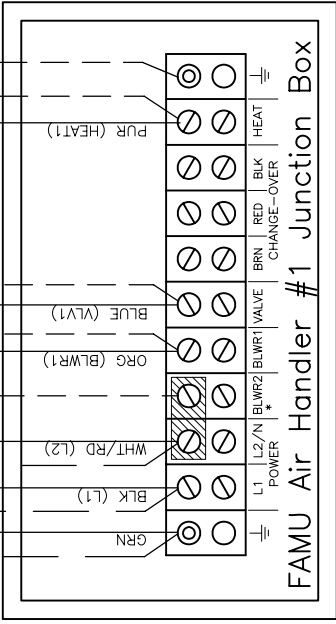
Wiring instructions:
 1. Connect wire harness from P/L box to #1 air handler junction box
 2. Connect AC power and ground from electrical panel to AH junction box.
 3. Mount TSEP temp sensor bulb in discharge air path.
 4. Mount Change-Over Tstat on air handler piping
 Insulate over COS to prevent condensation
 5. Plug in CXP cable at PLTX-HV and the keypad/display.
 6. Install humidistat in return air path (outside air) and wire as shown. Contacts should open with rise in humidity.
 7. Up to 3 units can be installed on one control.
 If additional units are installed, wire the valve, blower, and heat in parallel as shown.
 Maximum blower current is 6 amps.
 Maximum elect. heat current is 26 amps (3kW at 115V, 6kW at 230V)

To 2nd FAMU unit, if installed

Power Input (115VAC or 230VAC)
 { L2/N }
 { L1 }
 { GND }

3' (.9m) wire harness

Note:
 PLTX wire colors may not match the wire colors on the air handler.
 Follow the label on the air handler term. strip.

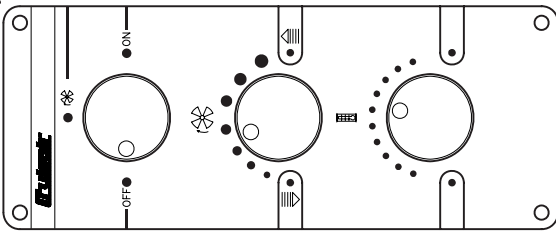


HUMIDITY CONTROL
 Remove jumper and connect humidistat to HI PRESS tabs on P/L board
 ACTION:
 Damp = Open
 Dry = Closed

REV	DATE	REVISION DESCRIPTION	DWG	APR
		Dometic Environmental	CRUISAIR	
		Wiring Diagram - AT FAMU Air Handler with PLTX-HVSTAT SMXII 115/230VAC, with electric reheat		
		DWG BY: CE		
		8/9/05		
			DWG	082715
				REV

PROPRIETARY NOTE: THE INFORMATION CONTAINED WITHIN THIS DOCUMENT IS THE PROPERTY OF DOMETIC ENVIRONMENTAL. ANY ATTEMPT TO COPY OR DISTRIBUTE WITHOUT WRITTEN CONSENT FROM DOMETIC ENVIRONMENTAL SHALL BE CONSIDERED UNLAWFUL AND CAN BE CONTESTED IN A COURT OF LAW.

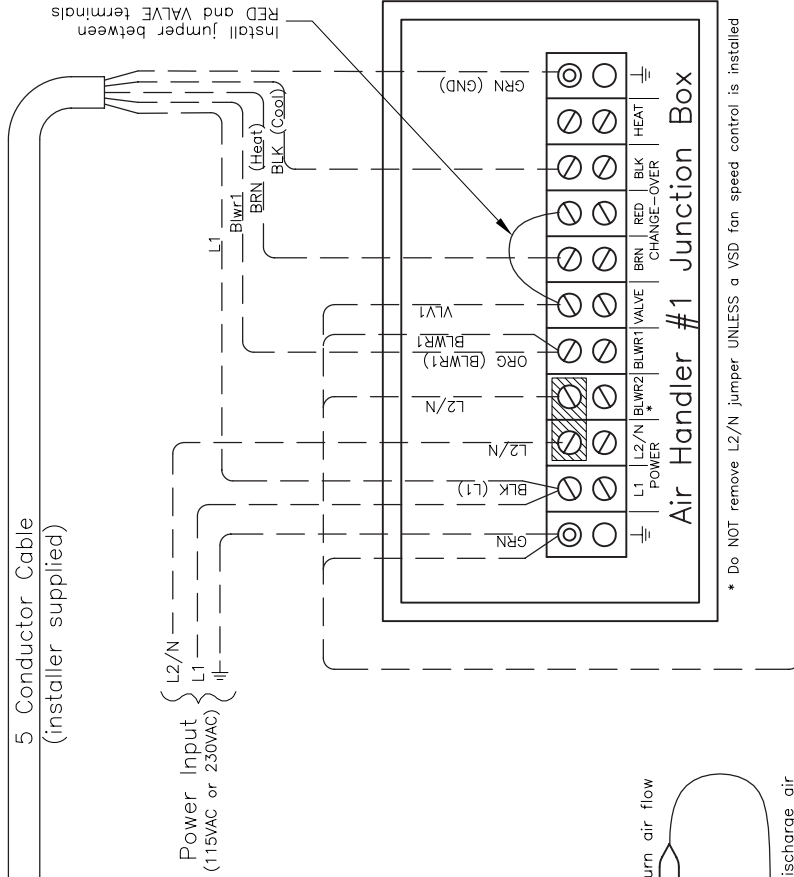
TS3-Z-B1 Switch Assembly



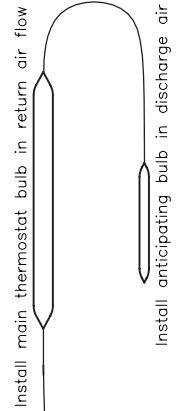
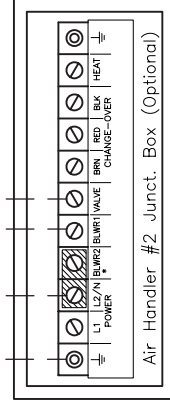
Replacement Parts:
 Mode Switch: #4023500
 Fan Speed: # A-4215 (115V)
 # A-4216 (230V)
 Thermostat: #4060703

Wiring Instructions:

1. Run 5-conductors from TS3 switch terminal strip to AT junction box.
2. Connect AC power and ground from electrical panel to AT junction box.
3. Install jumper on AT terminal strip between RED and VALVE.
4. Mount thermostat bulb in return air flow (and small anticipating bulb in discharge airflow).
5. Up to 3 units can be installed on one control.
 If additional units are installed, wire the valve, and blower in parallel as shown.
 Maximum blower current is 4 amps.



* Do NOT remove L2/N jumper UNLESS a VSD fan speed control is installed



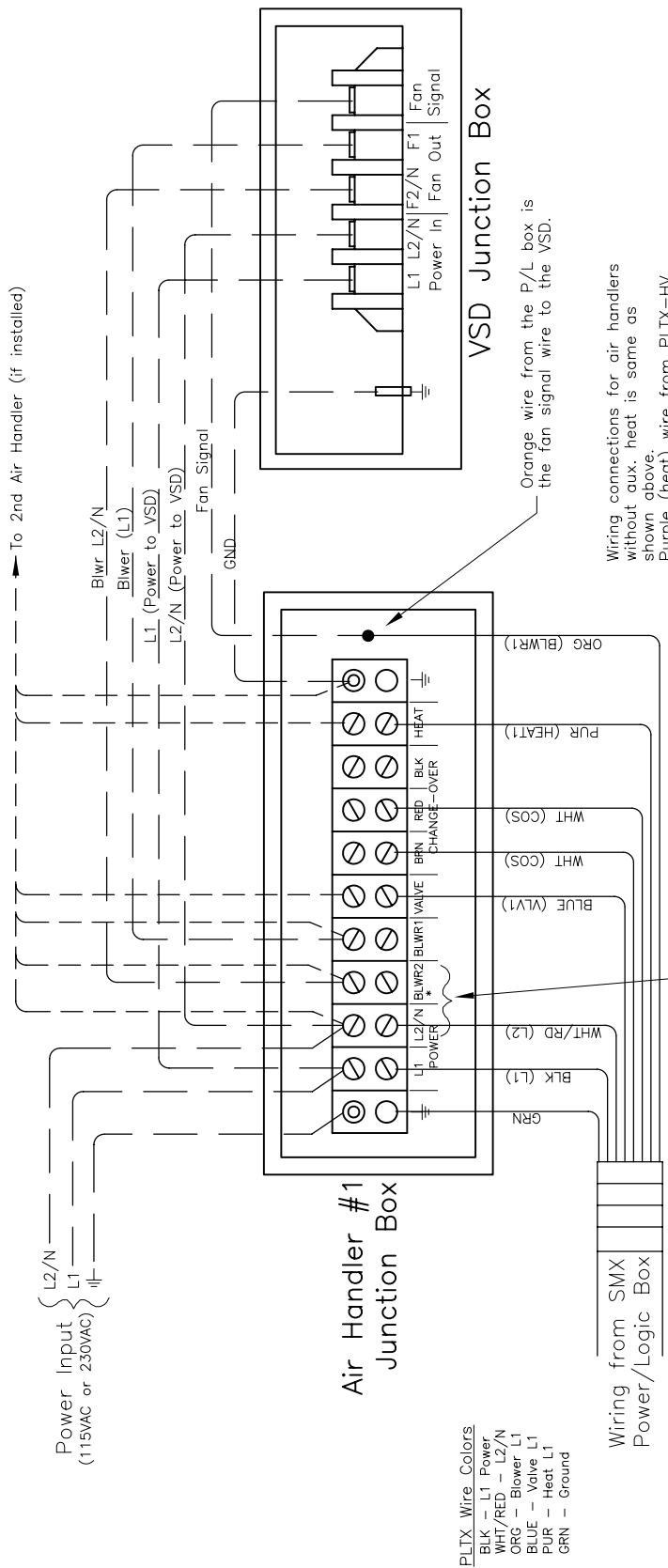
----- Field Wiring

REV	DATE	REVISION DESCRIPTION	DWG	APR
		Dometic Environmental		
		CRUISAIR		
		Wiring Diagram - AT-COS Air Handler with TS3 3-Knob Switch		
		115/230VAC		
		DWG BY: CE		
		8/9/05		
		082716		
			DWG	REV

PROPRIETARY NOTE: THE INFORMATION CONTAINED WITHIN THIS DOCUMENT IS THE PROPERTY OF DOMETIC ENVIRONMENTAL. ANY ATTEMPT TO COPY OR DISTRIBUTE WITHOUT WRITTEN CONSENT FROM DOMETIC ENVIRONMENTAL SHALL BE CONSIDERED UNLAWFUL AND CAN BE CONTESTED IN A COURT OF LAW.

Wiring Instructions:

1. Connect wire harness from P/L box to #1 air handler junction box, except for Orange (Blower) wire.
2. Connect AC power and ground from electrical panel to AH box, and jump power over to the VSD.
3. Remove jumper from air handler terminal strip (L2/N and Blwr L2/N).
4. Butt connect the Orange (fan signal) wire from P/L box and run the wire to the "Fan Signal" VSD terminal.
5. Run Blower L1 and L2/N from VSD to #1 air handler.
6. Up to 2 units can be installed on one control. If additional units are installed, wire the valve, blower, and heat (if applicable) in parallel as shown. Remove L2/N jumper from 2nd unit. Maximum blower current is 6 amps. Maximum elect. heat current is 26 amps (3kW at 115V, 6kW at 230V)



Wiring connections for air handlers without aux. heat is same as shown above. Purple (heat) wire from PLTX-HV box can terminate at air handler terminal strip, but no other wires will be connected at this point.

--- Field Wiring

REV	DATE	REVISION DESCRIPTION	DWG	APR	Dometic Environmental	CRUISAIR
					Wiring Diagram - AT Air Handler with PLTX-HV SMXII and VSD 115/230VAC, with or without elect. heat	
			8/9/05		DWG BY: CE	
						082717
						REV

PROPRIETARY NOTE: THE INFORMATION CONTAINED WITHIN THIS DOCUMENT IS THE PROPERTY OF DOMETIC ENVIRONMENTAL. ANY ATTEMPT TO COPY OR DISTRIBUTE WITHOUT WRITTEN CONSENT FROM DOMETIC ENVIRONMENTAL SHALL BE CONSIDERED UNLAWFUL AND CAN BE CONTESTED IN A COURT OF LAW.

CNP network cables must be daisy chained to each NPLTX box: the OUT cable to the IN of the next board

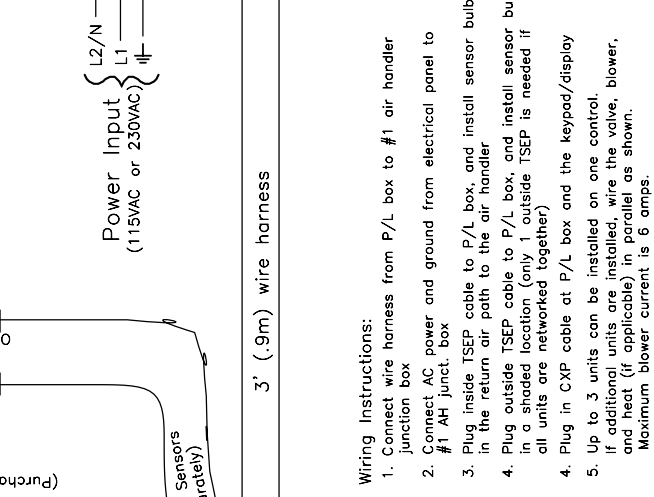
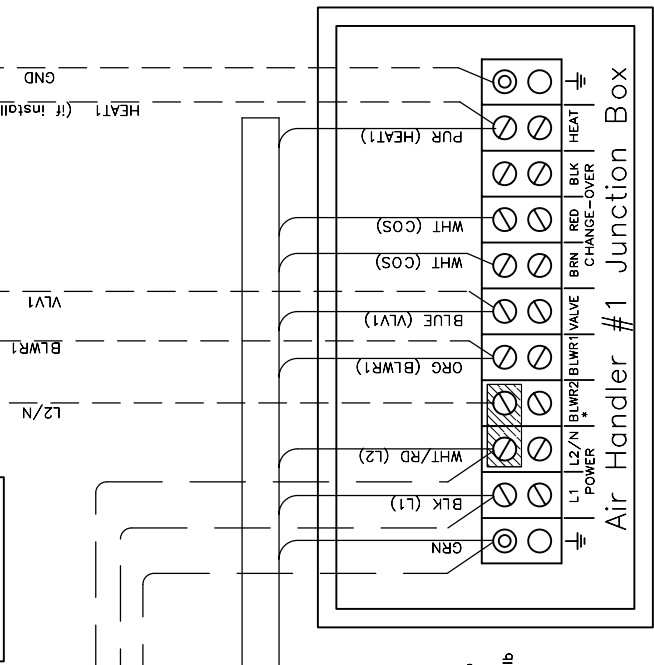
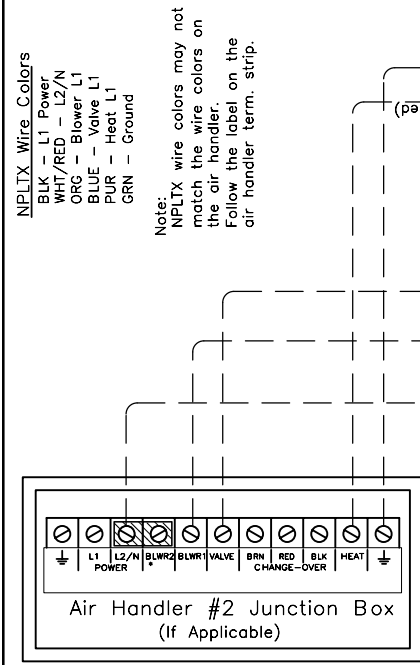
From the OUT socket of the board before this unit

To the IN socket of the next board after this unit

CXP## Connecting Cable (Purchased Separately)

Plug CXP cable into SMXIR keypad/display mounted in cabin

If using SMXIR keypad (with 4-pin plug) use Keypad #16395, CXP cable, or use adapter #A-913 with CXP Cable.



* Do NOT remove L2/N jumper UNLESS a VSD fan speed control is installed

Wiring Instructions:

1. Connect wire harness from P/L box to #1 air handler junction box
2. Connect AC power and ground from electrical panel to #1 AH junct. box
3. Plug inside TSEP cable to P/L box, and install sensor bulb in the return air path to the air handler
4. Plug outside TSEP cable to P/L box, and install sensor bulb in a shaded location (only 1 outside TSEP is needed if all units are networked together)
5. Plug in CXP cable at P/L box and the keypad/display

Up to 3 units can be installed on one control.
 If additional units are installed, wire the valve, blower, and heat (if applicable) in parallel as shown.
 Maximum blower current is 6 amps.
 Maximum elect. heat current is 26 amps
 (3kW at 115V, 6kW at 230V)

NPLTX SMX Net Power/Logic Box

Terminal strip labels: AUX, GND, LOW, HI, N/L2, L1, BLK, GATE, TER2, BLUE, REV, FAN, GATE, TER2, PUR, F2

Wiring connections:
 - GND to GND
 - LOW to LOW
 - HI to HI
 - N/L2 to L1
 - L1 to L1
 - BLK to BLK
 - GATE to GATE
 - TER2 to TER2
 - BLUE to BLUE
 - REV to REV
 - FAN to FAN
 - GATE to GATE
 - TER2 to TER2
 - PUR to PUR
 - F2 to F2

HUMIDITY CONTROL

Remove jumper and connect humidistat to HI PRESS tabs on P/L board

ACTION:
 Damp = Open
 Dry = Closed

Field Wiring

REV	DATE	REVISION DESCRIPTION	DWG	APR

Dometic Environmental CRUISAIR

Wiring Diagram - AT-COS Air Handler with NPLTX - SMX Net
 115/230VAC, with or without elect. heat

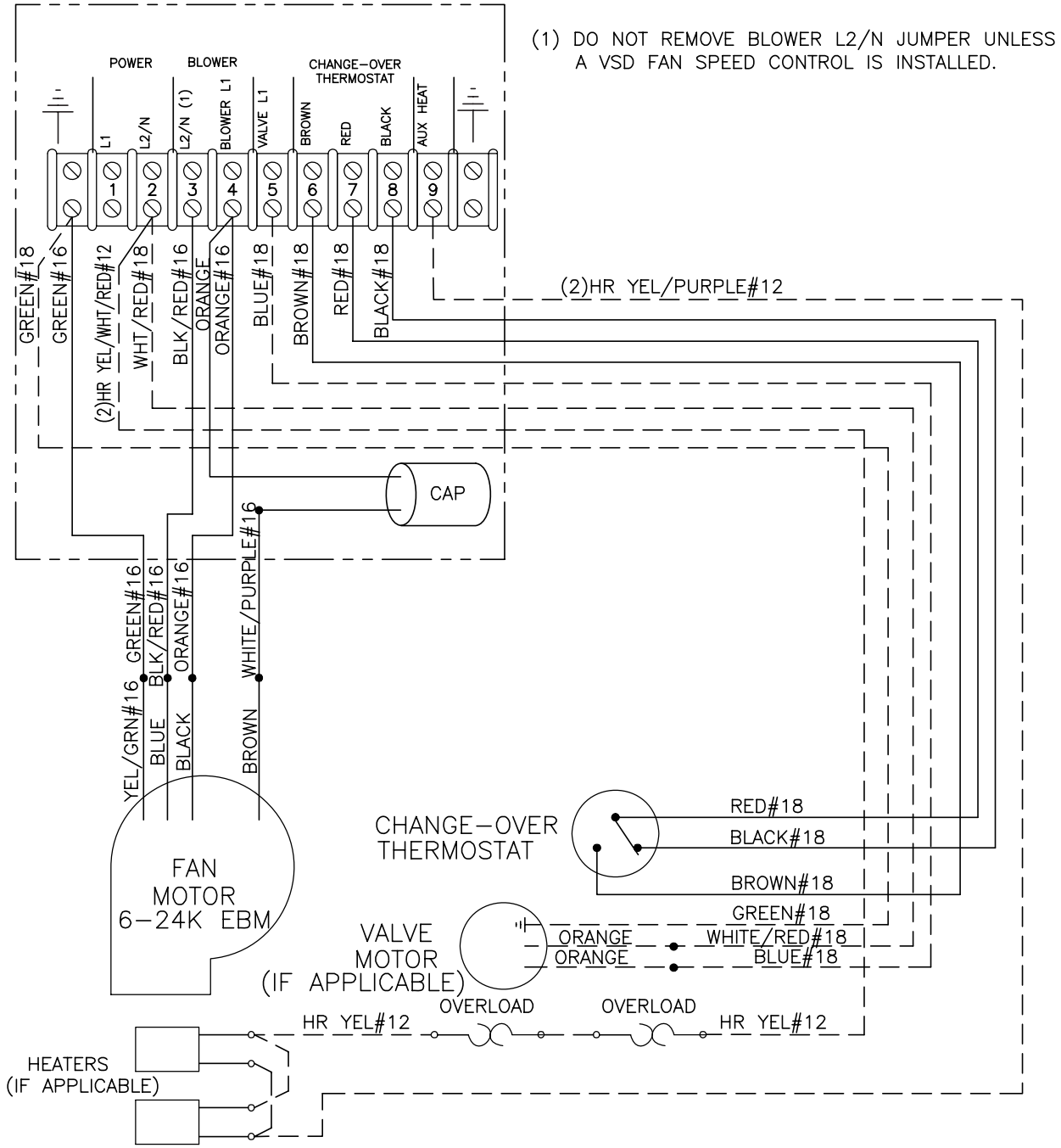
8/26/05 DWG BY: CE

082720

REV

PROPRIETARY NOTE: THE INFORMATION CONTAINED WITHIN THIS DOCUMENT IS THE PROPERTY OF DOMETIC CORPORATION. ANY ATTEMPT TO COPY OR DISTRIBUTE WITHOUT WRITTEN CONSENT FROM DOMETIC CORPORATION SHALL BE CONSIDERED UNLAWFUL AND CAN BE CONTESTED IN A COURT OF LAW.

REV	DATE	REVISION DESCRIPTION	DWG	APR
A	8/11/05	REVISED WIRE COLOR ON TERM#2,CAD462-05	DRR	JES



Dometic Environmental Corporation - Cruisair

LABEL, WIRING DIAGRAM

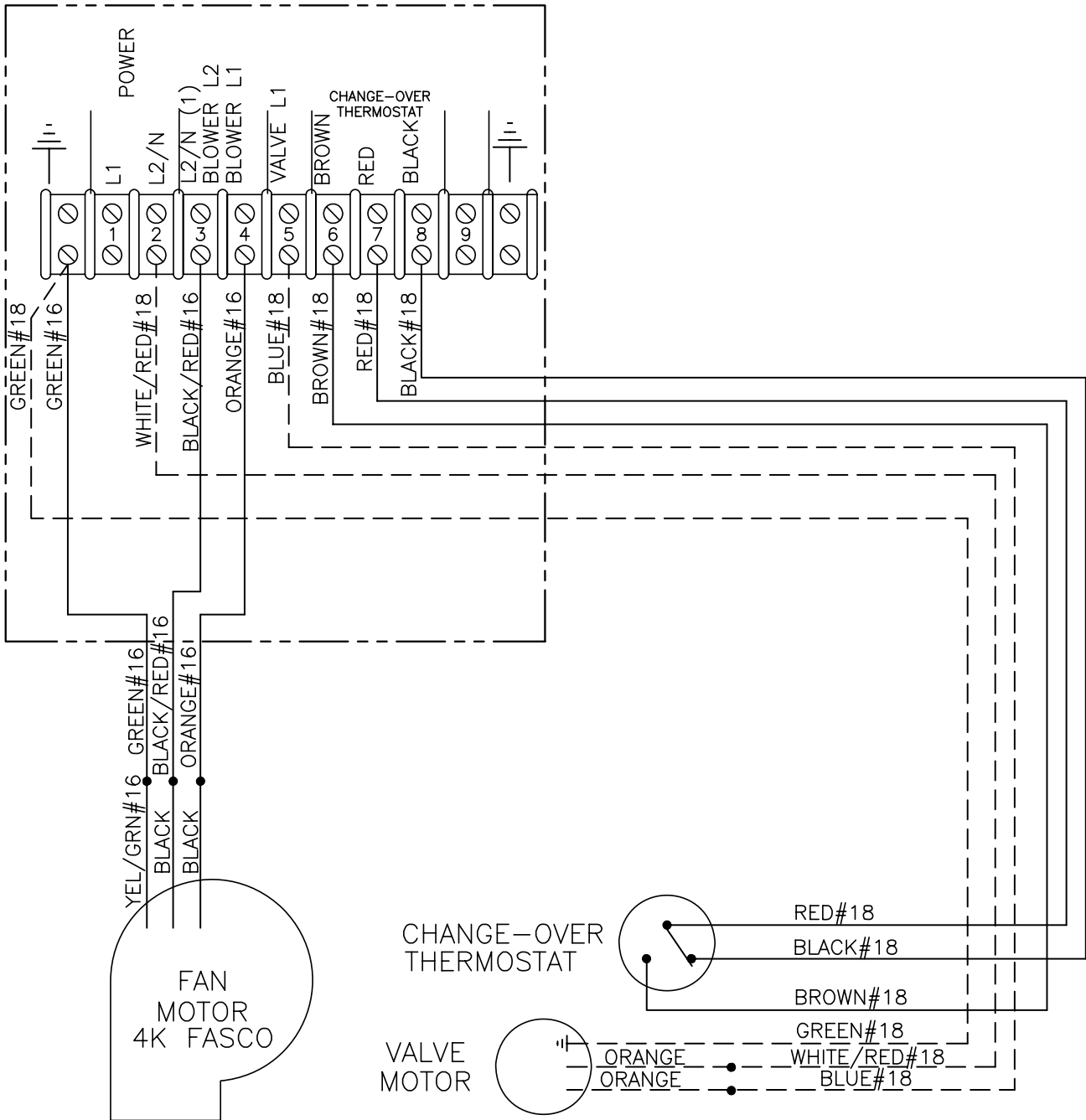
AT6-36HV(Z) COS

DATE: 8/8/05	DWG BY: DRR	PART NUMBER: 0440081	DWG	C3010001	REV	A
SCALE: NTS	APR BY: JES					

DWG CREATED BY CAD451-05

PROPRIETARY NOTE: THE INFORMATION CONTAINED WITHIN THIS DOCUMENT IS THE PROPERTY OF DOMETIC CORPORATION. ANY ATTEMPT TO COPY OR DISTRIBUTE WITHOUT WRITTEN CONSENT FROM DOMETIC CORPORATION SHALL BE CONSIDERED UNLAWFUL AND CAN BE CONTESTED IN A COURT OF LAW.

REV	DATE	REVISION DESCRIPTION	DWG	APR



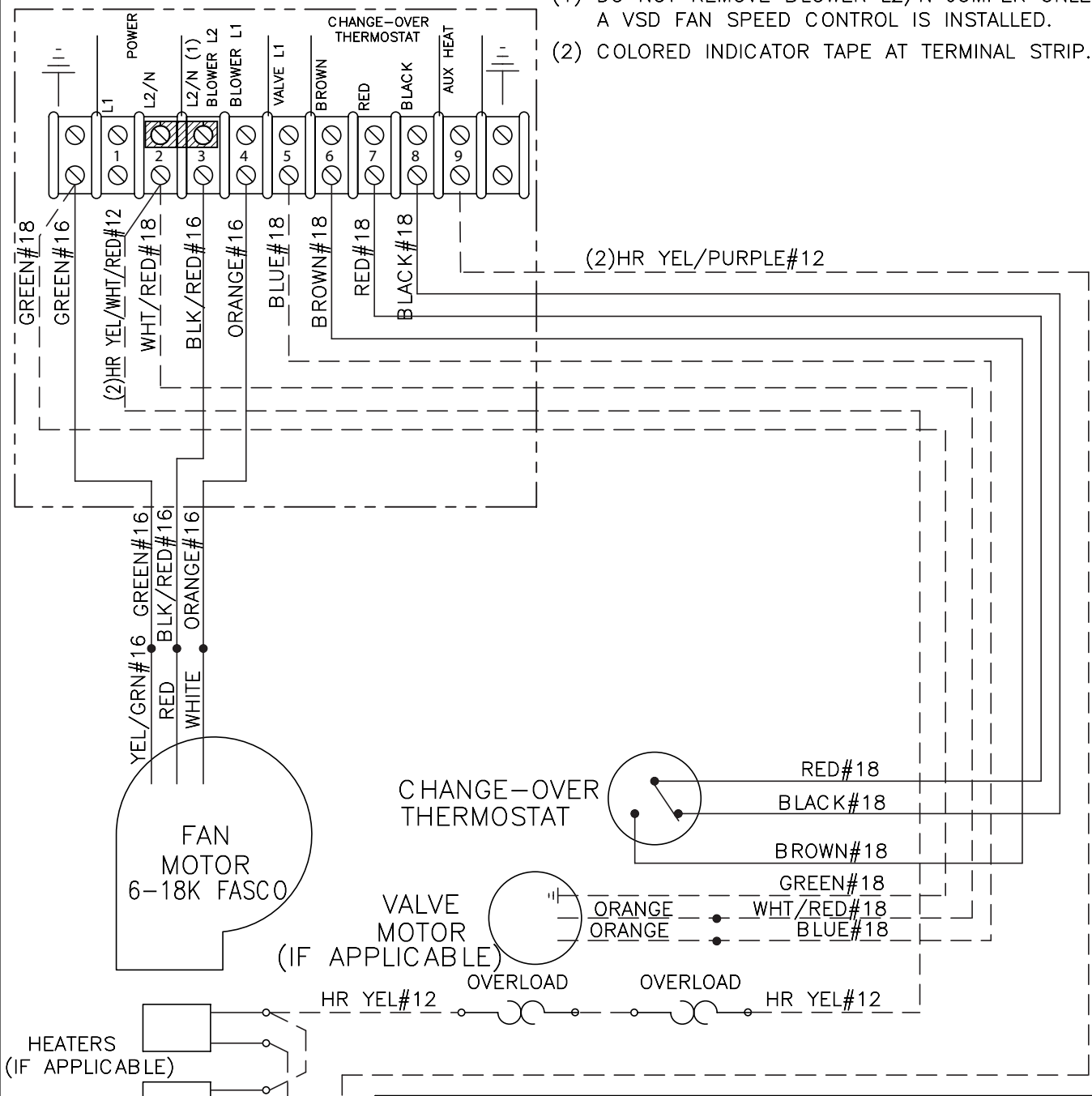
Dometic Environmental Corporation - Cruisair				
LABEL, WIRING DIAGRAM				
AT4F(Z) COS				
DATE: 8/8/05	DWG BY: DRR	PART NUMBER: 0440082	DWG	REV O.I.
SCALE: NTS	APR BY: JES		C3010002	

DWG CREATED BY CAD452-05

PROPRIETARY NOTE: THE INFORMATION CONTAINED WITHIN THIS DOCUMENT IS THE PROPERTY OF DOMETIC CORPORATION. ANY ATTEMPT TO COPY OR DISTRIBUTE WITHOUT WRITTEN CONSENT FROM DOMETIC CORPORATION SHALL BE CONSIDERED UNLAWFUL AND CAN BE CONTESTED IN A COURT OF LAW.

REV	DATE	REVISION DESCRIPTION	DWG	APR

- (1) DO NOT REMOVE BLOWER L2/N JUMPER UNLESS A VSD FAN SPEED CONTROL IS INSTALLED.
- (2) COLORED INDICATOR TAPE AT TERMINAL STRIP.



Dometic Environmental Corporation - Cruisair

LABEL, WIRING DIAGRAM
AT6-18F(Z) COS

DATE: 8/8/05	DWG BY: DRR	PART NUMBER: 0440083	DWG	C3010003	REV O.I.
SCALE: NTS	APR BY: JES				

DWG CREATED BY CAD453-05



Dometic Environmental Corporation

2000 N. Andrews Ave. Ext. • Pompano Beach, FL 33069-1497 USA

Phone: 954-973-2477 • Facsimile: 954-979-4414

Website: www.marineair.com • Email: sales@marineair.com

P.O. Box 15299 • Richmond, VA 23227-0699 USA

Phone: 804-746-1313 • Facsimile: 804-746-7248

Website: www.cruisair.com • Email: sales@cruisair.com

For Sales and Service Calls within Europe and the Middle East, please contact +44 (0) 870 330 6101