

# SCOT

## Bronze Marine Motorpump™

Model

# 47376

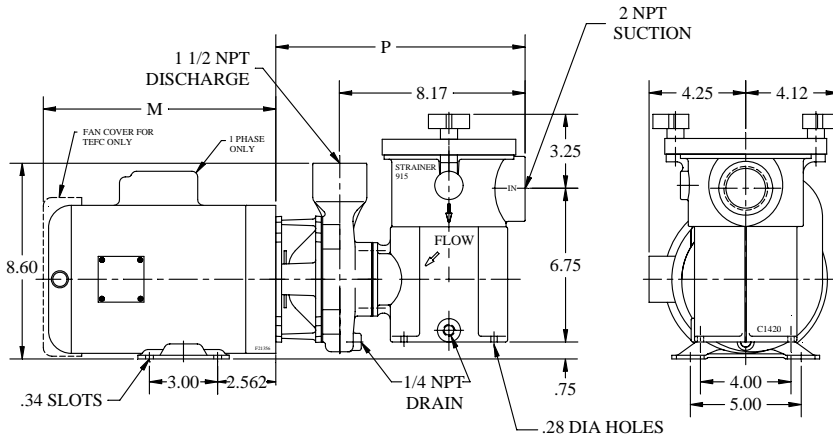
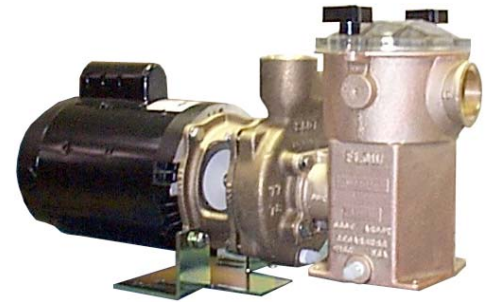
Self-Priming to 7 Feet

MARCH 14, 2014

2 x 1 1/2 NPT 2 Pole 3450-2900 RPM 60-50 Hz

Model No. 47376 was Model No. 076.

[Click Here to View SN-47000 Group page for general specifications and order information](#)



### Pump Dimensions

Model	Style	P Inches	Drawing
076	C	11.31	FK 47076
47376	J	10.96	FK 47376J
47376	XC	11.65	FK 47376X

### "M" Motor Length inches

HP	Single Phase		Three Phase	
	ODP	TEFC	ODP	TEFC
2	10.80	10.80	10.80	10.80
1 1/2	10.50	10.50	10.50	10.50
1	10.25	10.25	10.25	10.25
3/4	9.75	9.75	9.75	9.75
1/2	9.00	9.25	9.00	9.25

- Style C had a stainless steel stub shaft with a NEMA 56 motor
- Style J has a threaded shaft NEMA 56 motor
- Style X has a bronze stub shaft

Imp	Motor HP		Wt. lbs	Amperes - 3450-2900 RPM TEFC			
	60 Hz	50 Hz		Single Phase		Three Phase	
				60 Hz 230 V	50 Hz 220 V	60 Hz 230 V	50 Hz 380 V
A	2	1 1/2	63	10.0	11.0	6.4	3.1
B	1 1/2	1 1/2	54	9.2	10.1	5.0	2.4
C	1	1	54	6.9	7.6	3.2	1.5
D	3/4	3/4	52	5.4	5.9	2.8	1.3

Single phase amps for 115 V 60 Hz is double 230 V amps  
Three phase amps for 460 V 60 Hz is one half 230 V amps

### Suggested Parts Inventory

Model	Seal Kit	Impeller	Motor Bearings
	One seal and install instructions One O-Ring case gasket		6203 for all models 1/3 to 2 HP
076C	189.001.117	Provide impeller data from nameplate	6203 is an industry standard
47376J	189.001.146		
47376X	189.001.261		

The suction Sea Strainer has a heavy clear removable acrylic cover to provide access to the filter basket. The filter basket is easy to remove. It should be checked daily for debris and sea weed that could appreciatively reduce pump capacity. A fouled suction line will cause a pump to cavitate. Cavitation can destroy a pump case and impeller in a short period of time.

