

### Pump

- All Bronze marine centrifugal pump  
Freshwater or seawater applications
- Precision machined to close tolerances  
for consistent performance.
- Hardware - Type 303 stainless steel
- Semi-open impeller handles solids
- Heavy-duty. Use for continuous  
24 hour – 7 day operation.
- Stainless steel shaft.

### Shaft Seal

- Rated at 75 PSI – 5 BAR
- Seawater Buna rubber parts, ceramic  
stationary and carbon rotating element,  
stainless steel spring and metal components

### Motor

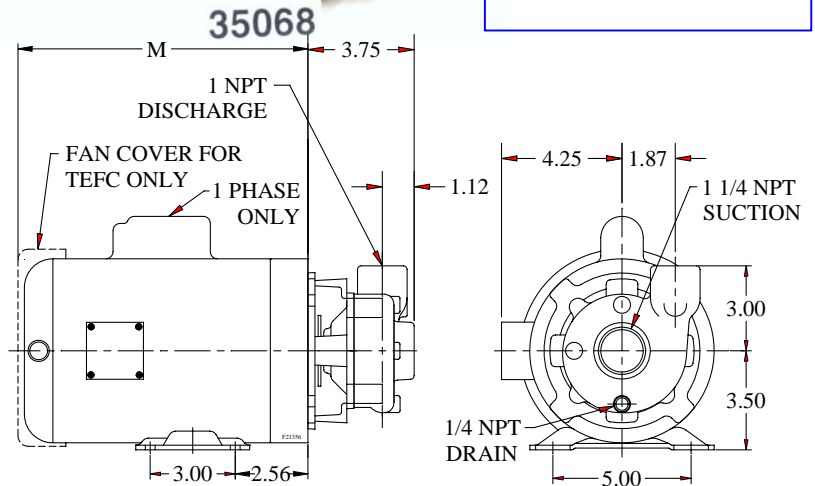
- Totally enclosed fan cooled IP-44 motors  
meet marine, European, and Coast Guard  
ignition protected requirements.
- Sealed ball bearings
- Designed for dual frequency 60 Hz or 50 Hz.  
Connect to either 60 Hz or 50 Hz power.
- Single-phase capacitor start  
60 Hz – 115/230 Volt  
50 Hz - 110/220 Volt
- Three phase motors are not available

### To Select a Motorpump

- Establish the capacity (GPM) and head  
required
- Refer to the 50 Hz or 60 Hz curve to  
determine the impeller required



[Click Here to View  
SN-35000 Group page  
for general specifications  
and order information](#)



### Motorpump 35068

Motor HP		M Dim	Wt. lbs.	Amperes - TEFC	
60 Hz	50 Hz			60 Hz 230 V	50 Hz 220 V
1/3	1/3	9.00	29	3.5	3.9

Amps for 115 V 60 Hz is double 230 V amps

### Suggested Parts Inventory

Item	Description
Seal Kit 189.001.116	One seal and install instructions One O-Ring case gasket
Impeller 131.000.689.XXX	XXX is the impeller diameter e.g. 250, 300, or 344
Motor Bearings 6203	6203 is an industry standard number

