

- **Compact**
 - **Enclosed Switch Compartment**
- Pump**

- All Bronze marine centrifugal pump
Freshwater or seawater applications
- Precision machined to close tolerances
for consistent performance.
- Hardware - Type 300 stainless steel
- Semi-open impeller handles solids to
5/16 inch (7mm)
- Impeller mounted on motor shaft
- Heavy-duty, designed for continuous
24 hour – 7 day operation.

Shaft Seal

- Rated at 75 PSI – 5 BAR
- Seawater Buna rubber parts, ceramic
stationary and carbon rotating element,
stainless steel spring and metal components.

Motor

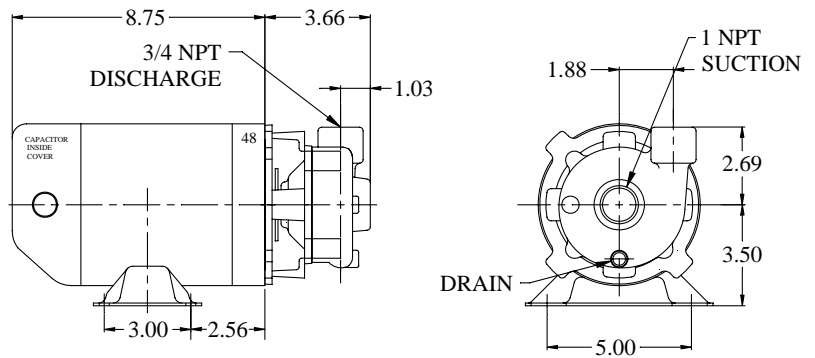
- Meets Coast Guard ignition protected
requirements. The capacitor and starting
switch are in the enclosed outlet cover.
- Sealed ball bearings
- Designed for dual frequency 60 Hz or 50 Hz.
Connect to either 60 Hz or 50 Hz power.
- Single-phase capacitor start
60 Hz – 115/230 Volt
50 Hz - 110/220 Volt
- Three phase motors are not available
- Stainless steel shaft.

To Select

- Establish the capacity (GPM) and head
required
- Refer to the 50 Hz or 60 Hz curve to
determine the impeller required



[Click Here to View
SN-35000 Group page
for general specifications
and order information](#)



Suggested Parts Inventory

Item	Description
Seal Kit 189.001.116	One seal and install instructions One O-Ring case gasket
Impeller 131.000.689.XXX	XXX is the impeller diameter e.g. 250, 300, or 344
Motor Bearings 6203	6203 is an industry standard number

Motorpump 35066

Motor HP		Wt. lbs.	Amperes	
60 Hz	50 Hz		60 Hz 230 V	50 Hz 220 V
1/3	1/3	29	3.5	3.9

Amps for 115 V 60 Hz is double 230 V amps

Specify Scot model 35066 with a 300 impeller
to replace an Oberdorfer model 104M

