

Pump

- All Bronze marine centrifugal pump High Capacity Freshwater or Seawater applications
- Hardware - Type 303 stainless steel
- Semi-open impeller handles solids
- Impeller mounted on motor shaft
- Heavy-duty, designed for continuous 24 hour – 7 day operation.
- Stainless steel shaft.



[Click Here to View SN-35000 Group page for general specifications and order information](#)

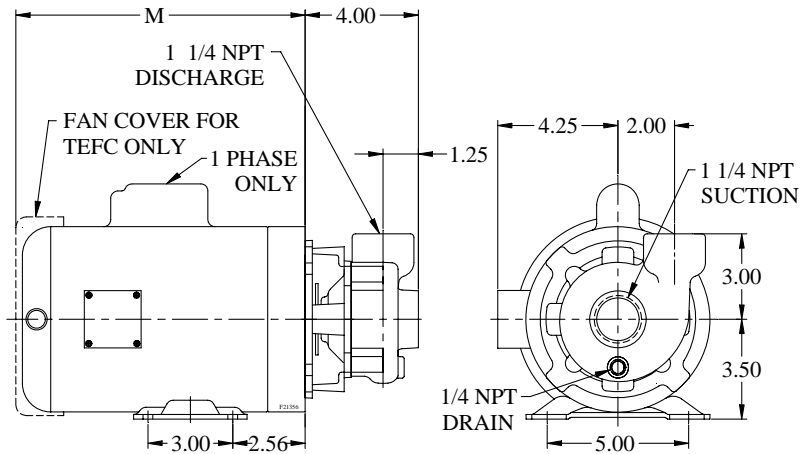
35064

Shaft Seal

- Rated at 75 PSI – 5 BAR
- Seawater Buna rubber parts, ceramic stationary and carbon rotating element, stainless steel spring and metal components

Motor

- Totally enclosed fan cooled IP-44 motors meet marine, European, and Coast Guard ignition protected requirements.
- Sealed ball bearings
- Designed for dual frequency 60 Hz or 50 Hz. Connect to either 60 Hz or 50 Hz power.
- Single-phase capacitor start
60 Hz – 115/230 Volt 50 Hz - 110/220 Volt
- Three phase motor - nine lead dual voltage
60 Hz – 230/460 Volt 50 Hz – 190/380 Volt



To Select a Motorpump

- Establish the capacity (GPM) and head required
- Refer to the 60 Hz or 50 Hz curve to determine the impeller required

Suggested Parts Inventory

Item	Description
Seal Kit 189.001.116	One seal and install instructions One O-Ring case gasket
Impeller 189.001.131.XXX	XXX is the impeller diameter e.g. 287, 312, 331, or 344
Motor Bearings 6203	6203 is an industry standard number

Motorpump 35064

Imp	Motor HP		M Dim	Wt. lbs.	Amperes - 3450-2900 RPM TEFC			
	60 Hz	50 Hz			Single Phase		Three Phase	
					60 Hz 230 V	50 Hz 220 V	60 Hz 230 V	50 Hz 380 V
344	3/4	3/4	9.75	35	5.4	5.9	2.8	1.3
331	1/2	1/2	9.25	32	4.2	4.6	2.2	1.0
312	1/2	1/2	9.25	32	4.2	4.6	2.2	1.0
287	1/3	1/3	9.00	30	3.5	3.9	N.A.	N.A.

Single phase amps for 115 V 60 Hz is double 230 V amps
Three phase amps for 460 V 60 Hz is one half 230 V amps

